



US00D629276S

(12) **United States Design Patent**
Chelton

(10) **Patent No.:** **US D629,276 S**

(45) **Date of Patent:** **** Dec. 21, 2010**

(54) **HANDLE**

(76) Inventor: **Brian Chelton**, 27 Rainbow Road,
Canvey Island, Essex (GB) SS8 8AH

(**) Term: **14 Years**

(21) Appl. No.: **29/344,935**

(22) Filed: **Oct. 6, 2009**

(30) **Foreign Application Priority Data**

Apr. 8, 2009 (EM) 001126502-0001

(51) **LOC (9) Cl.** **08-06**

(52) **U.S. Cl.** **D8/302**

(58) **Field of Classification Search** D8/300,
D8/306, 316, 320, 331, 338, DIG. 1, DIG. 2,
D8/302; 70/208; 292/336.3, DIG. 31
See application file for complete search history.

(56) **References Cited**

U.S. PATENT DOCUMENTS

D188,042 S *	5/1960	Craig	D8/302
D205,214 S *	7/1966	Terrian	D8/302
D230,566 S *	3/1974	Harrell	D8/302
D230,946 S *	3/1974	Harrell	D8/302
D244,881 S *	6/1977	Berkowitz	D28/37
4,631,937 A *	12/1986	Debus et al.	70/207
D292,171 S *	10/1987	Berg	D8/331
D391,143 S *	2/1998	Jancsek	D8/338

D396,397 S *	7/1998	Swan	D8/331
D406,040 S *	2/1999	Kuehn	D8/301
D428,322 S *	7/2000	Munch et al.	D8/302
6,427,501 B2 *	8/2002	Ramsauer	70/208
D465,398 S *	11/2002	Linares et al.	D8/302
6,668,602 B2 *	12/2003	Graham et al.	70/208
7,681,424 B2 *	3/2010	Antonucci	70/208

* cited by examiner

Primary Examiner—Paula Greene

(74) *Attorney, Agent, or Firm*—Renner, Otto, Boisselle & Sklar, LLP

(57) **CLAIM**

The ornamental design for a handle, as shown and described.

DESCRIPTION

FIG. 1 is a perspective view of the handle according to my new design.

FIG. 2 is a left side view of the handle shown in FIG. 1.

FIG. 3 is a right side view of the handle shown in FIG. 1.

FIG. 4 is a top view of the handle shown in FIG. 1.

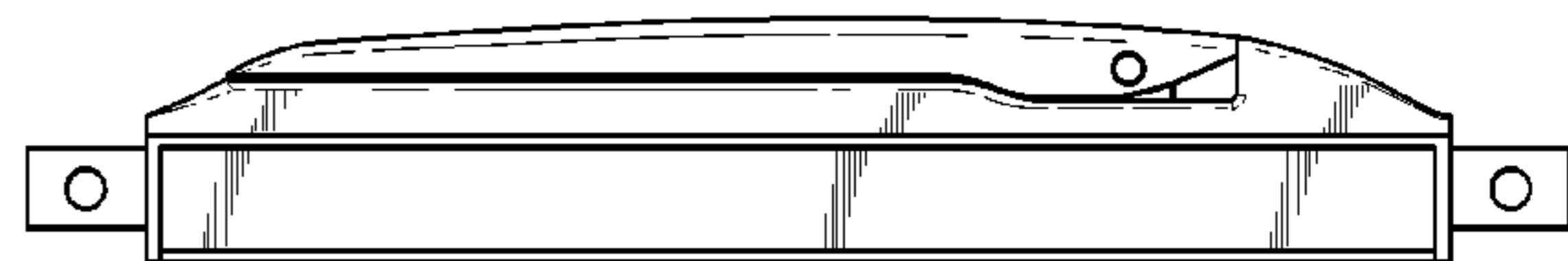
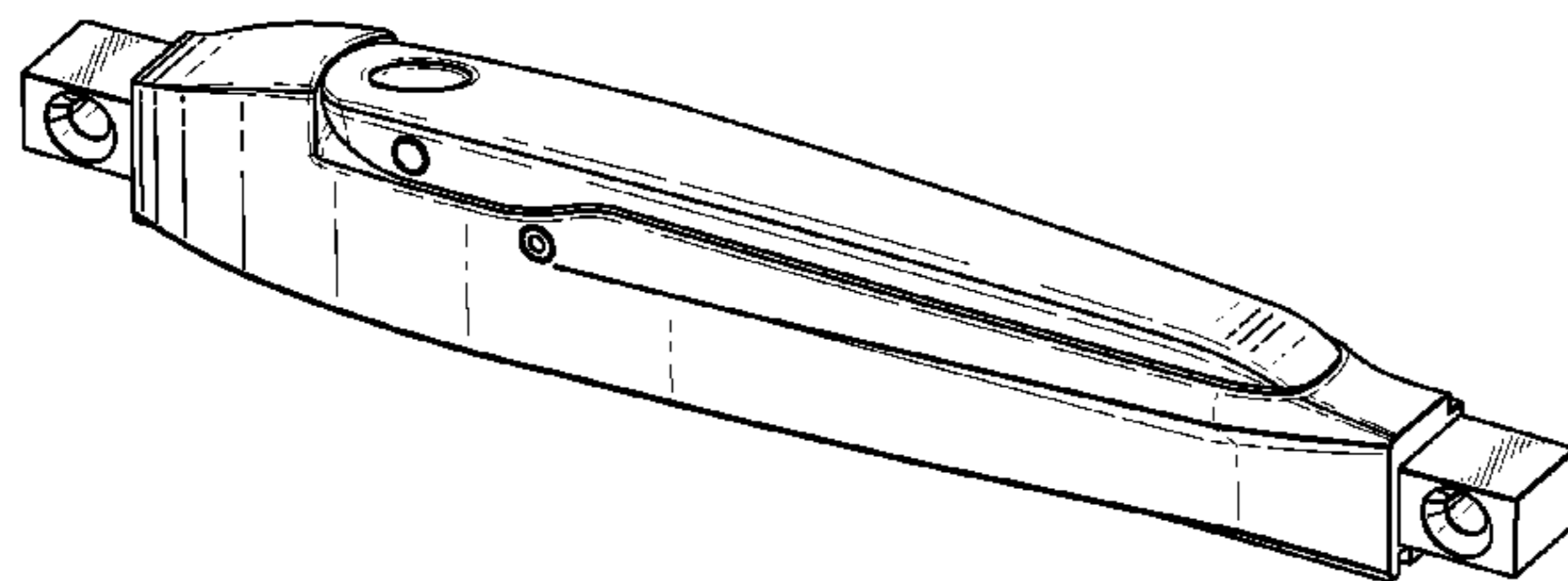
FIG. 5 is a back end view of the handle shown in FIG. 1.

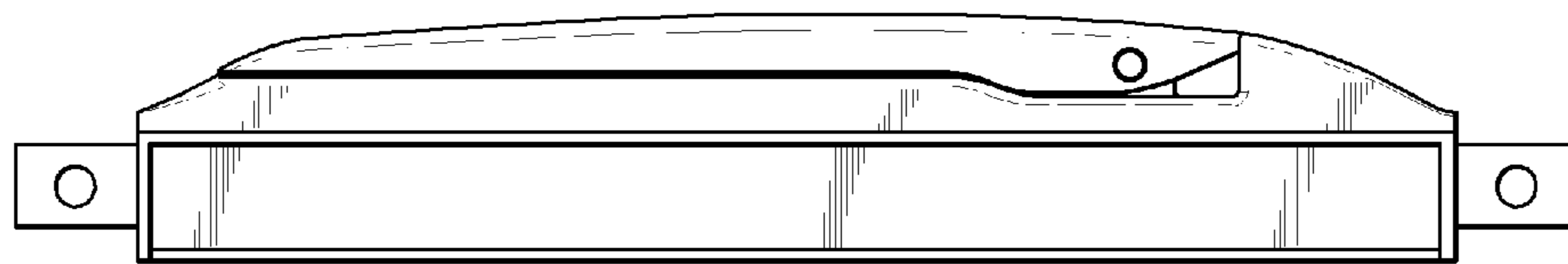
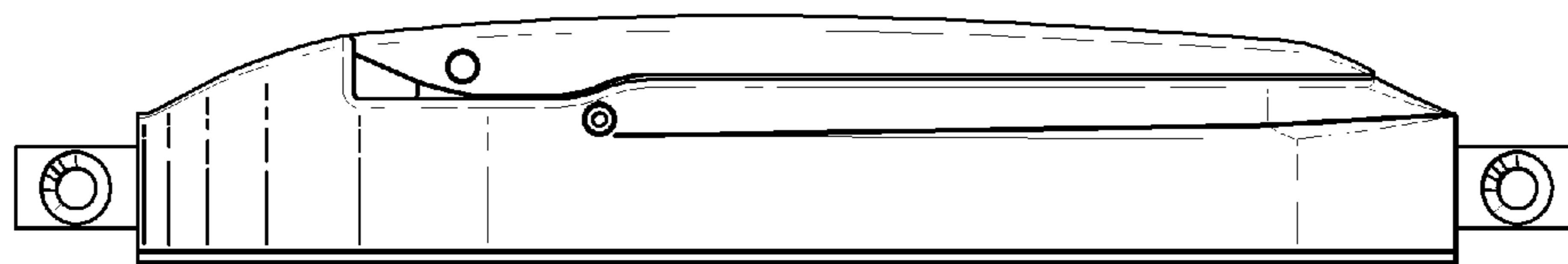
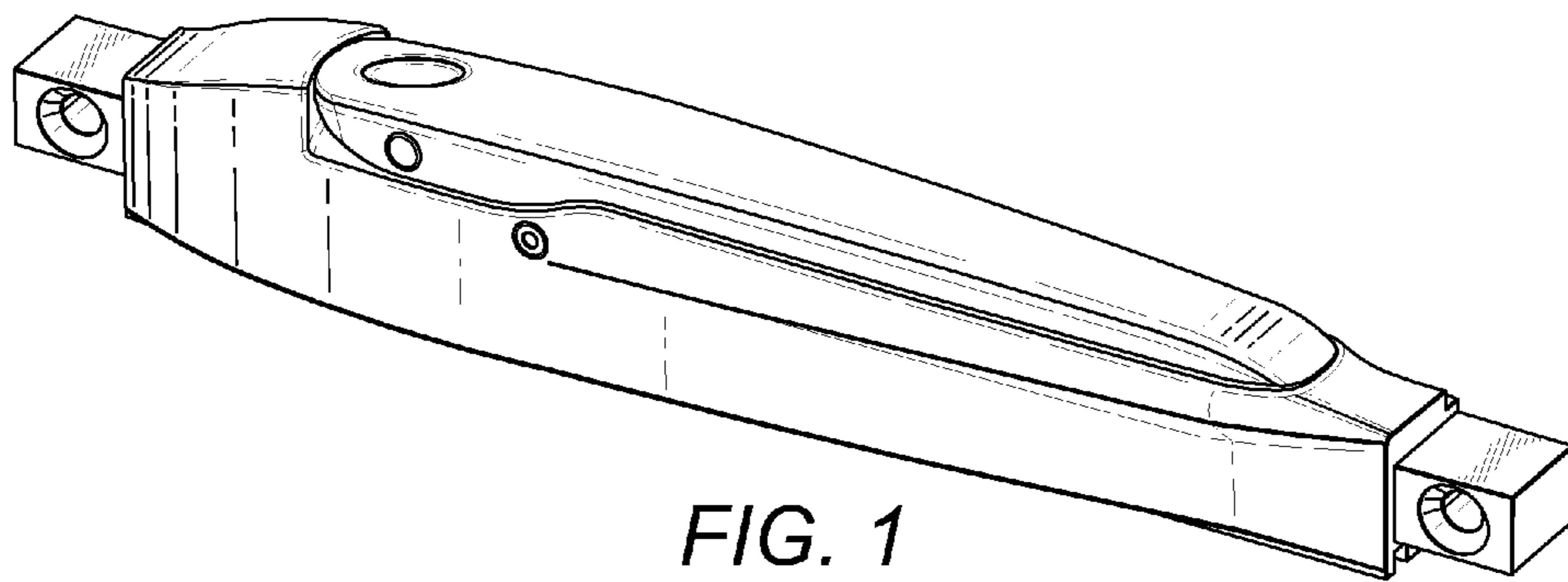
FIG. 6 is a front end view of the handle shown in FIG. 1; and,

FIG. 7 is a bottom view of the handle shown in FIG. 1.

The broken lines form no part of the claimed design.

1 Claim, 2 Drawing Sheets





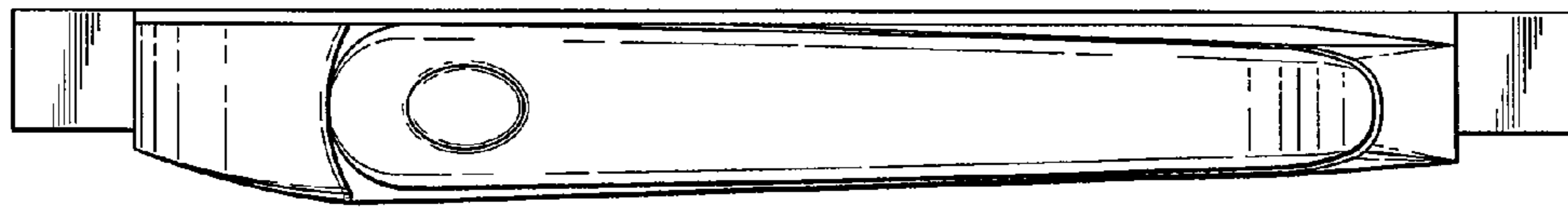


FIG. 4

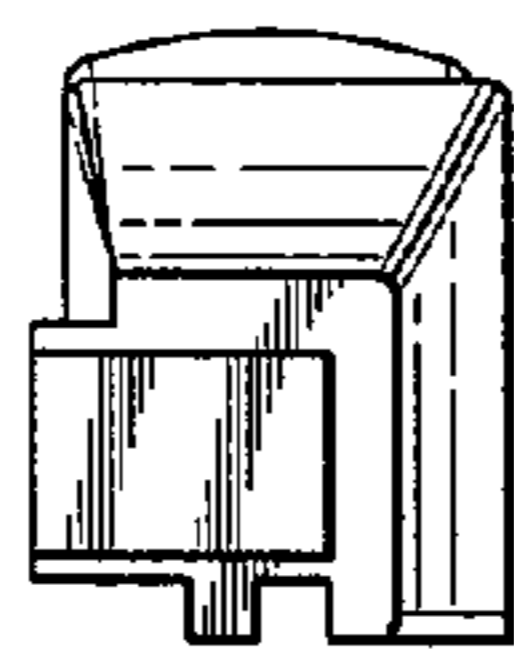


FIG. 5

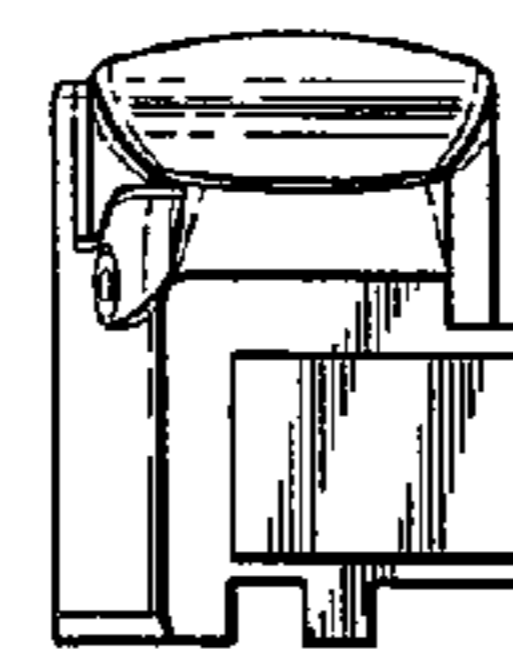


FIG. 6

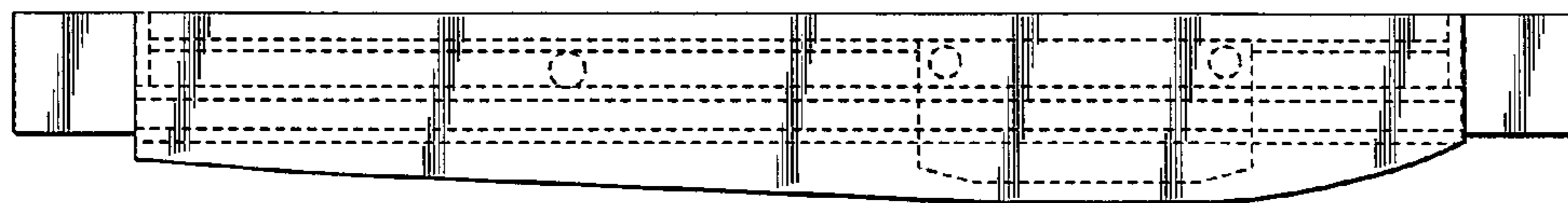


FIG. 7