



US00D629273S

(12) **United States Design Patent**  
**Friel, Sr. et al.**

(10) **Patent No.:** **US D629,273 S**  
(45) **Date of Patent:** **\*\* Dec. 21, 2010**

(54) **MANUAL KNIFE SHARPENER**

(75) Inventors: **Daniel D. Friel, Sr.**, Greenville, DE (US); **Bela Elek**, Wilmington, DE (US)

(73) Assignee: **Edgecraft Corporation**, Avondale, PA (US)

(\*\*) Term: **14 Years**

(21) Appl. No.: **29/357,459**

(22) Filed: **Mar. 12, 2010**

(51) **LOC (9) Cl.** ..... **08-05**

(52) **U.S. Cl.** ..... **D8/93**

(58) **Field of Classification Search** ..... D8/63, D8/90-94; 76/82, 84, 86-89; 451/552, 555-558  
See application file for complete search history.

(56) **References Cited**

**U.S. PATENT DOCUMENTS**

D173,204 S *	10/1954	Hussar	.....	D8/93
D183,530 S *	9/1958	Lamb	.....	D8/93
D299,308 S *	1/1989	Prindle	.....	D8/93
D315,663 S *	3/1991	Dolbosco	.....	D8/93
D323,450 S *	1/1992	Shimizu	.....	D8/93
D342,003 S	12/1993	Friel		
5,390,431 A	2/1995	Friel		
D357,395 S	4/1995	Friel		
5,404,679 A	4/1995	Friel		
5,449,315 A	9/1995	Friel		
D368,217 S	3/1996	Friel		
D372,181 S *	7/1996	Kelley	.....	D8/93
5,582,535 A	12/1996	Friel		
D388,304 S	12/1997	Friel		
D392,869 S *	3/1998	Rieser	.....	D8/93
D402,523 S *	12/1998	Thomas	.....	D8/93
5,868,611 A	2/1999	Friel		

6,113,476 A *	9/2000	Friel et al.	.....	451/177
6,267,652 B1 *	7/2001	Friel et al.	.....	451/177
6,997,795 B2	2/2006	Friel		
D519,815 S	5/2006	Friel		
D526,876 S *	8/2006	Smith	.....	D8/93
7,452,262 B2	11/2008	Friel		
D582,238 S *	12/2008	Mullen	.....	D8/91
D587,088 S *	2/2009	Smith	.....	D8/93
7,494,403 B2	2/2009	Friel		
D587,551 S	3/2009	Friel		
D603,679 S *	11/2009	Smith	.....	D8/93
D604,134 S *	11/2009	Smith et al.	.....	D8/63
D604,135 S *	11/2009	Smith et al.	.....	D8/63

\* cited by examiner

*Primary Examiner*—Philip S Hyder

*Assistant Examiner*—Roselynn Cody

(74) *Attorney, Agent, or Firm*—Connolly Bove Lodge & Hutz

(57) **CLAIM**

The ornamental design for a manual knife sharpener, as shown and described.

**DESCRIPTION**

FIG. 1 is a perspective view of a manual knife sharpener showing my new design;

FIG. 2 is a right side elevational view thereof;

FIG. 3 is a left side elevational view thereof;

FIG. 4 is a top plan view thereof;

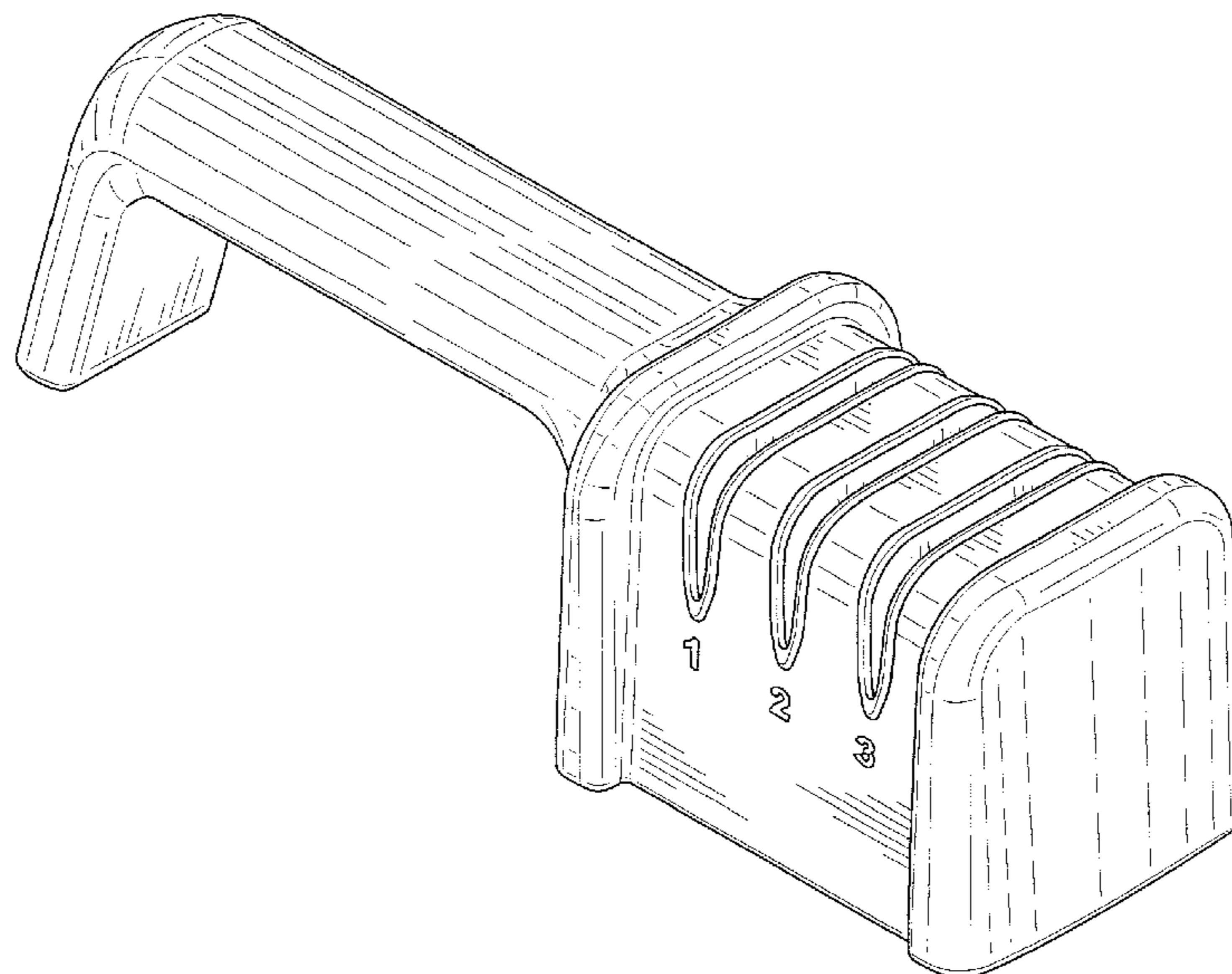
FIG. 5 is a bottom plan view thereof;

FIG. 6 is a left end elevational view thereof; and,

FIG. 7 is a right end elevational view thereof.

The broken lines of FIG. 5 illustrate portions of the design that form no part of the claim.

**1 Claim, 6 Drawing Sheets**



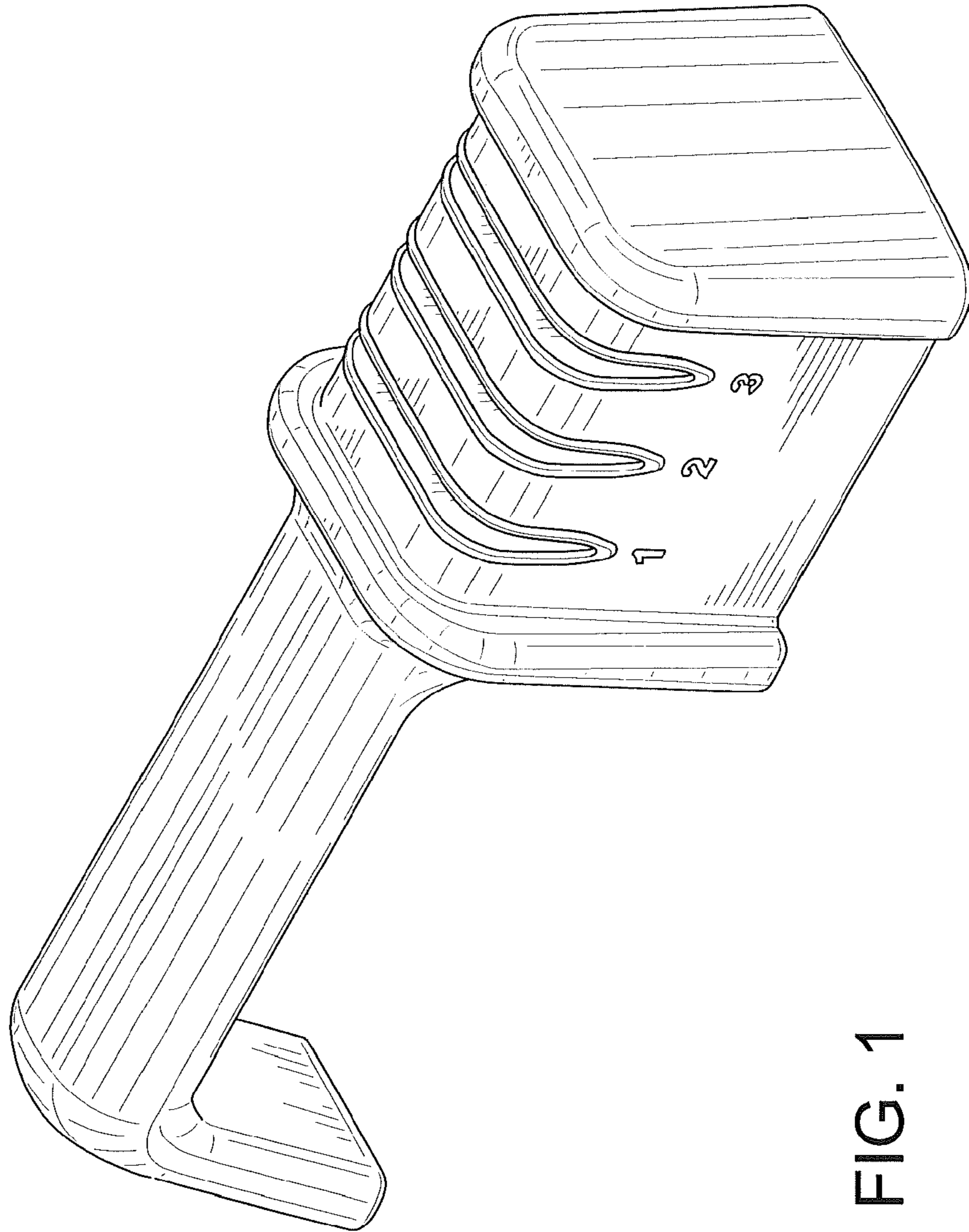


FIG. 1

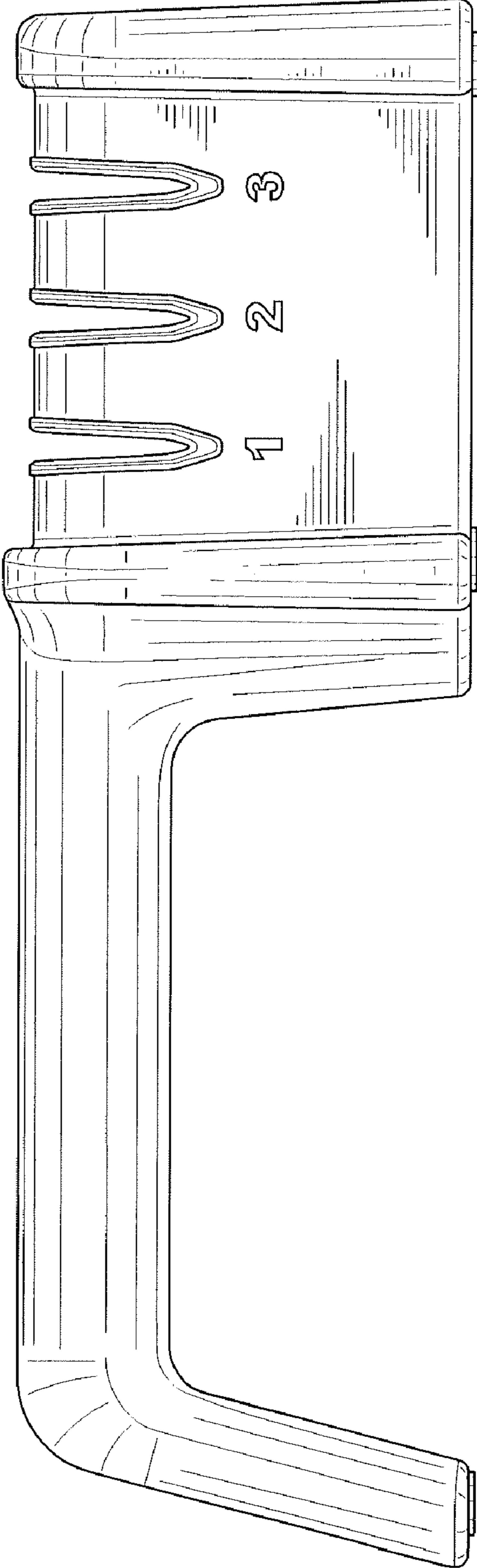


FIG. 2

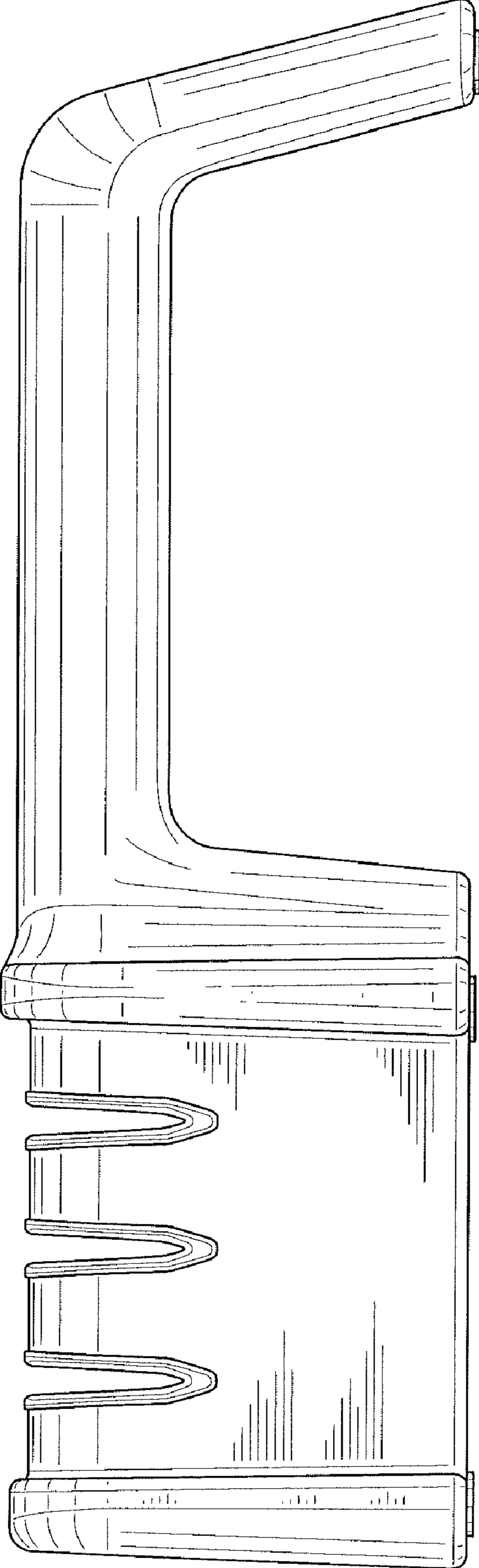


FIG. 3

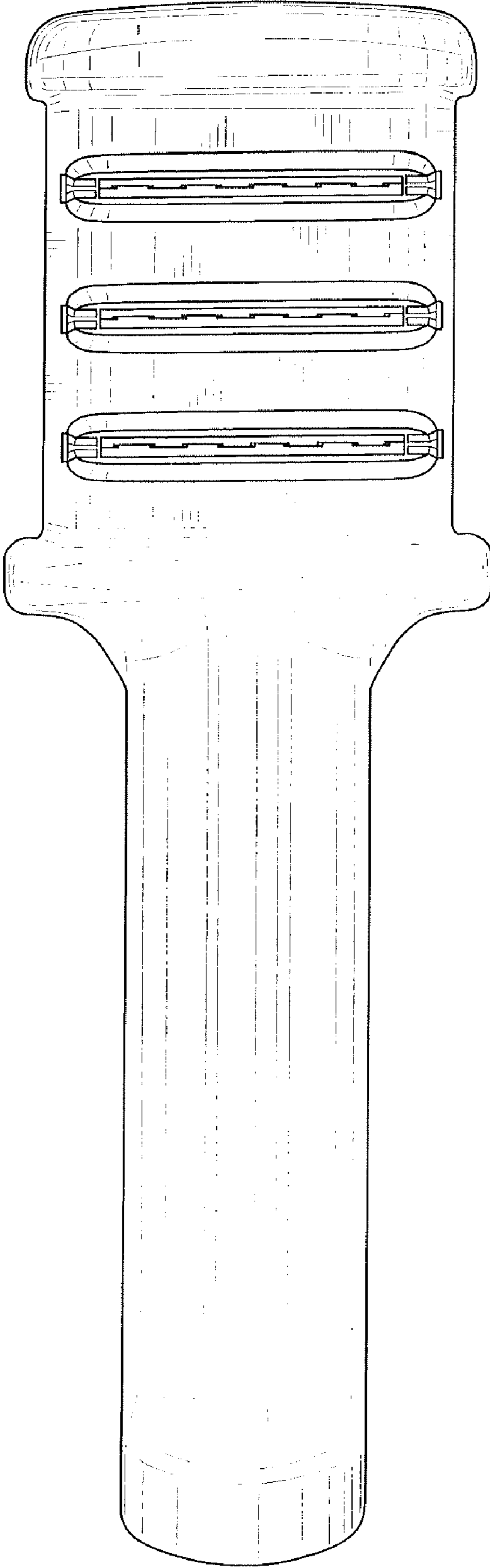


FIG. 4



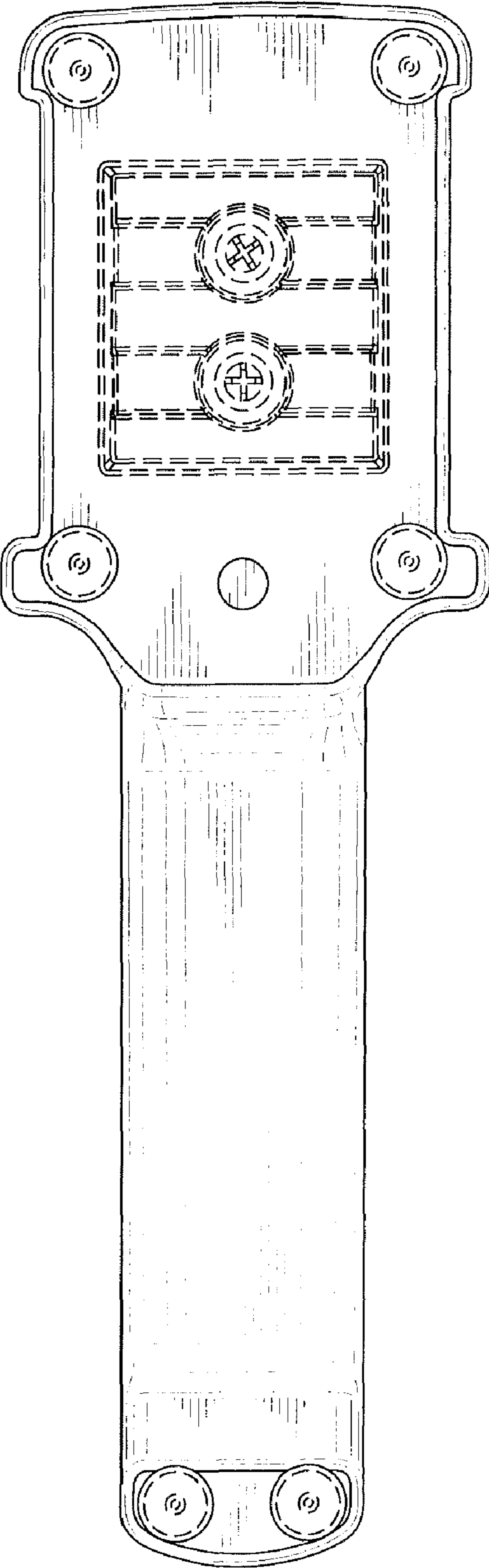


FIG. 5

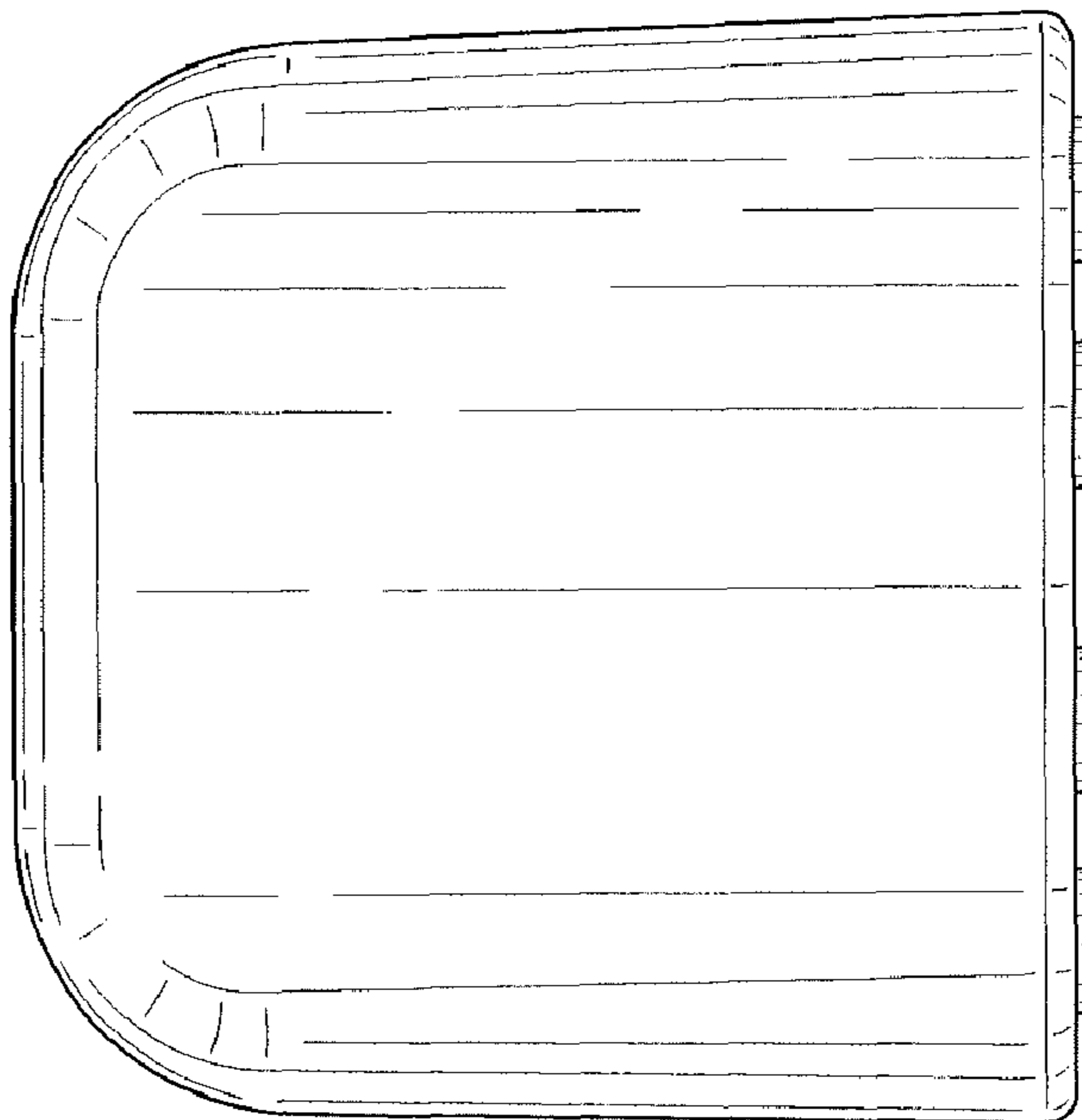


FIG. 7

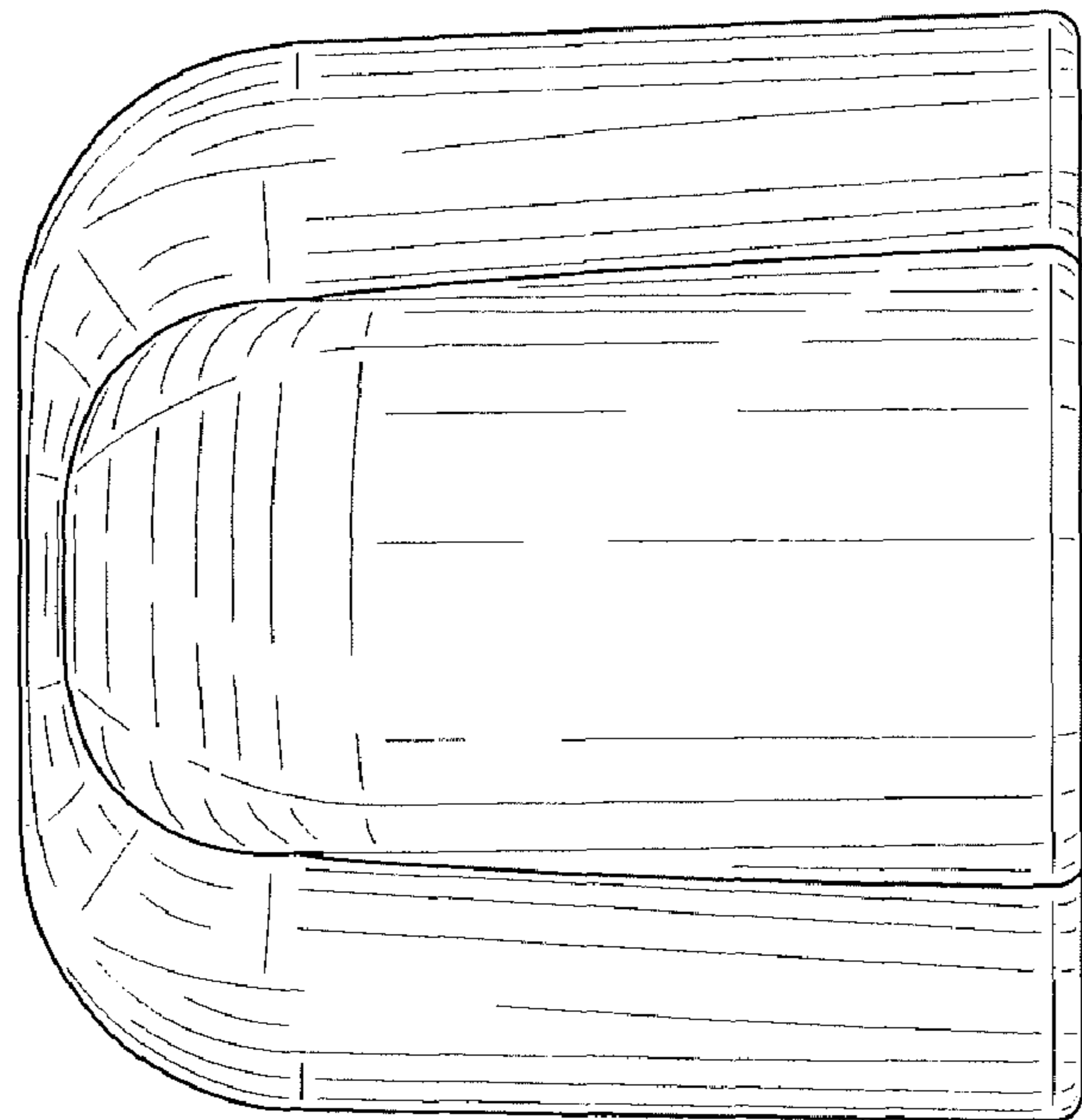


FIG. 6