



US00D629271S

(12) **United States Design Patent**  
**Dunkin et al.**

(10) **Patent No.:** **US D629,271 S**

(45) **Date of Patent:** **\*\* Dec. 21, 2010**

(54) **POWER UNIT**

D616,717 S \* 6/2010 Yaschur ..... D8/68

(75) Inventors: **Jon R. Dunkin**, Elyria, OH (US); **Paul W. Gress**, Bay Village, OH (US)

\* cited by examiner

*Primary Examiner*—Antoine D Davis

(73) Assignee: **Emerson Electric Co.**, St. Louis, MO (US)

(74) *Attorney, Agent, or Firm*—Rankin, Hill & Clark LLP

(\*\*) Term: **14 Years**

(57) **CLAIM**

(21) Appl. No.: **29/354,380**

The ornamental design for a power unit, as shown and described.

(22) Filed: **Jan. 22, 2010**

**DESCRIPTION**

(51) **LOC (9) Cl.** ..... **08-04**

FIG. 1 is a front right perspective view of a power unit.

(52) **U.S. Cl.** ..... **D8/68**

FIG. 2 is a left side view of the power unit of FIG. 1.

(58) **Field of Classification Search** ..... D8/14.1,  
D8/61, 62, 63, 64, 65, 66, 67, 68, 69, 70;  
81/57.11, 429, 454, 455, 456, 469, 489; 173/13,  
173/104, 114, 168, 169, 170, 171, 178, 201,  
173/211, 213, 217; 408/20, 124, 125, 234,  
408/241 R; 451/358; 310/50; 227/8, 113,  
227/114, 120, 130, 136, 142

FIG. 3 is a right side view of the power unit of FIG. 1.

FIG. 4 is a front elevational view of the power unit of FIG. 1.

FIG. 5 is a rear elevational view of the power unit of FIG. 1.

FIG. 6 is a top plan view of the power unit of FIG. 1.

FIG. 7 is a bottom plan view of the power unit of FIG. 1.

See application file for complete search history.

FIG. 8 is a front right perspective view of the power unit of FIG. 1 in use with a first component.

FIG. 9 is a rear left perspective view of the power unit of FIG. 1 in use with the first component illustrated in FIG. 8.

FIG. 10 is a front right perspective view of the power unit of FIG. 1 in use with a second component; and,

FIG. 11 is a rear left perspective view of the power unit of FIG. 1 in use with the second component illustrated in FIG. 10.

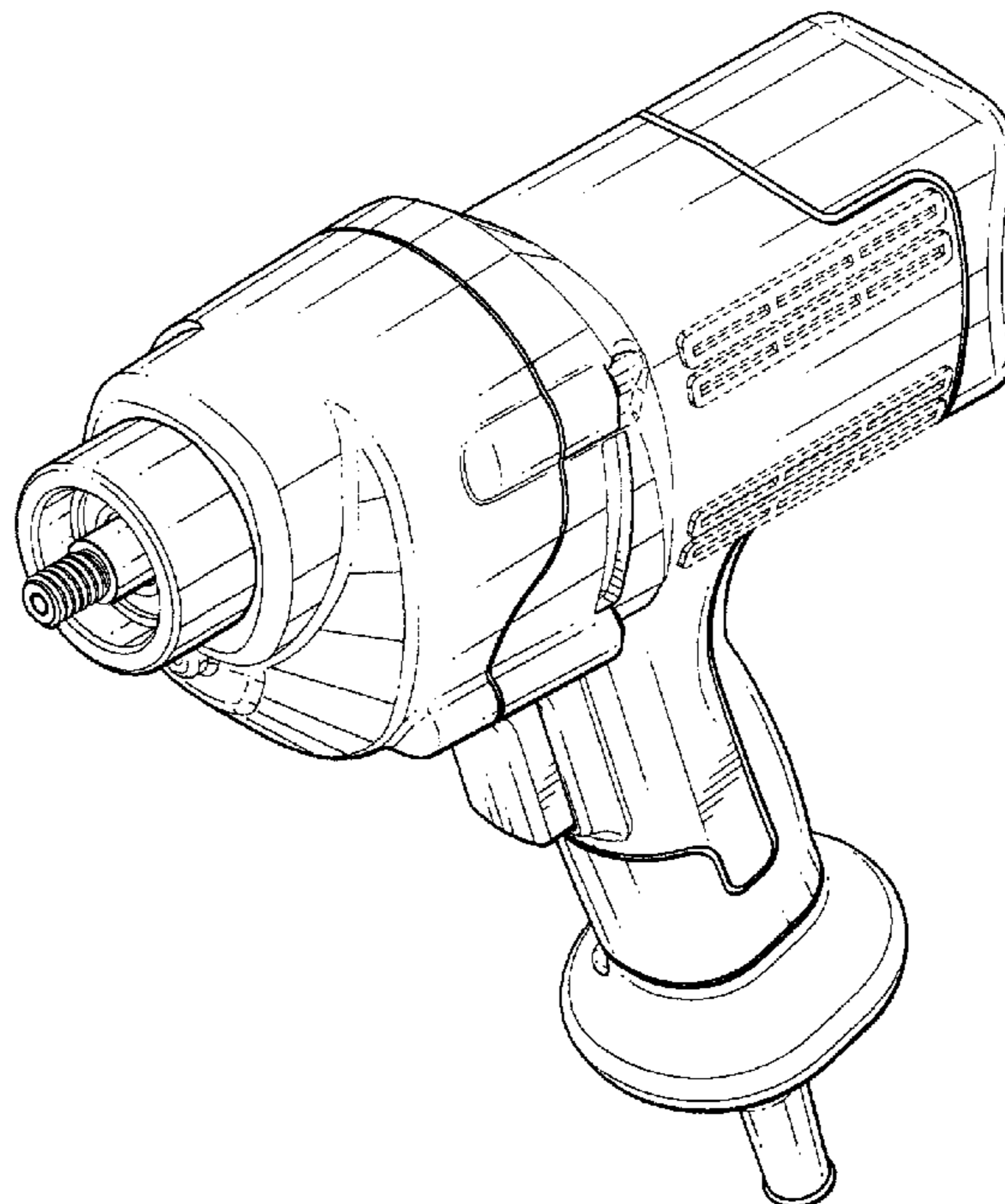
The dash lines in FIGS. 1-3 and 6-11 are for illustrative purposes only showing environmental subject matter and form no part of the claimed design.

(56) **References Cited**

**U.S. PATENT DOCUMENTS**

D441,628 S *	5/2001	Bass et al.	.....	D8/68
D521,339 S *	5/2006	Chen	.....	D8/68
D534,047 S *	12/2006	Chi	.....	D8/68
D535,536 S *	1/2007	Ghode et al.	.....	D8/68
D540,134 S *	4/2007	Clay	.....	D8/68
D540,640 S *	4/2007	Clay	.....	D8/68
D572,991 S *	7/2008	Chen	.....	D8/68
D590,226 S *	4/2009	Chu	.....	D8/68
D590,680 S *	4/2009	Cole et al.	.....	D8/68
D591,127 S *	4/2009	Taga	.....	D8/68
D610,888 S *	3/2010	Izumisawa et al.	.....	D8/68

**1 Claim, 11 Drawing Sheets**



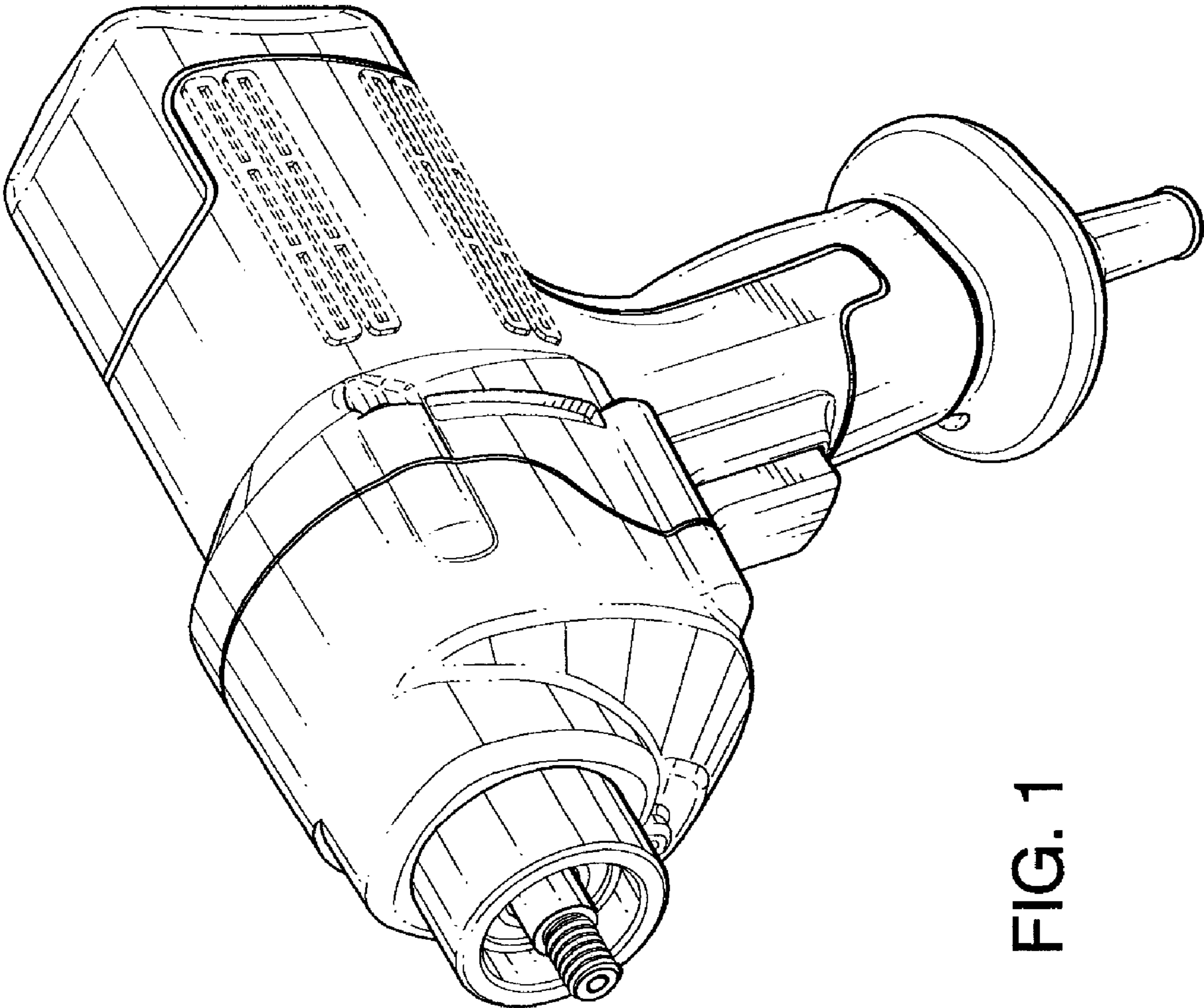


FIG. 1

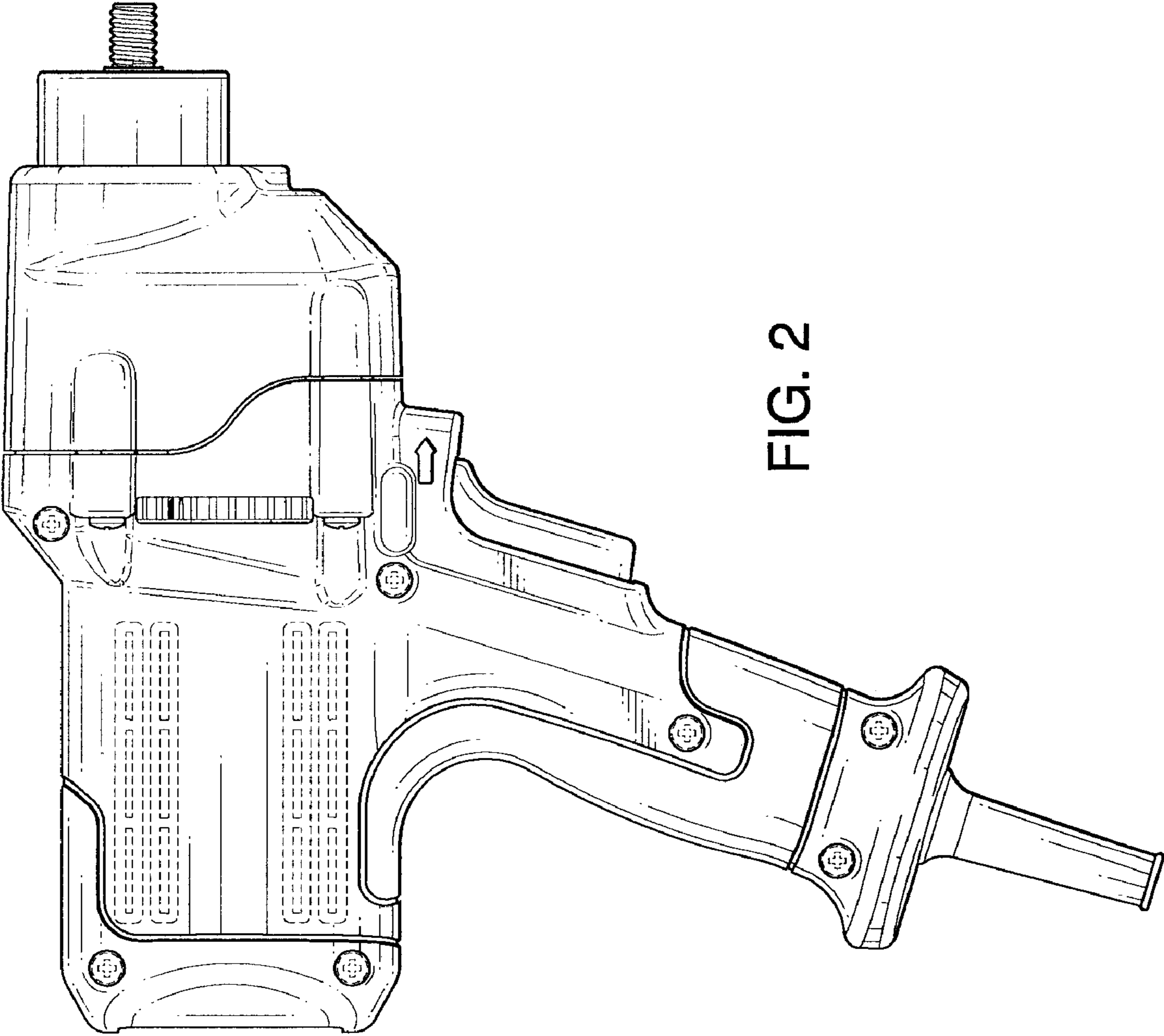


FIG. 2

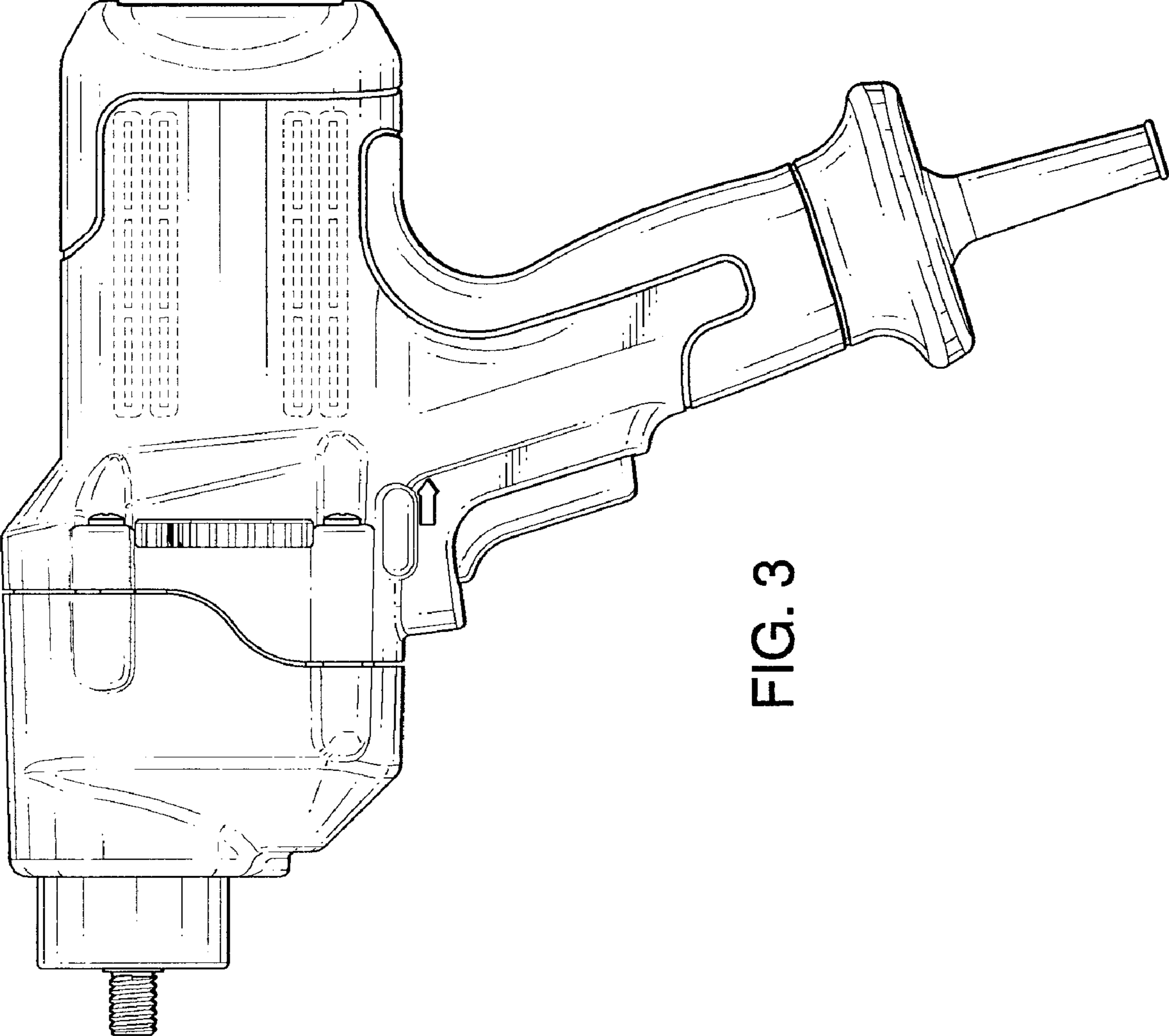


FIG. 3

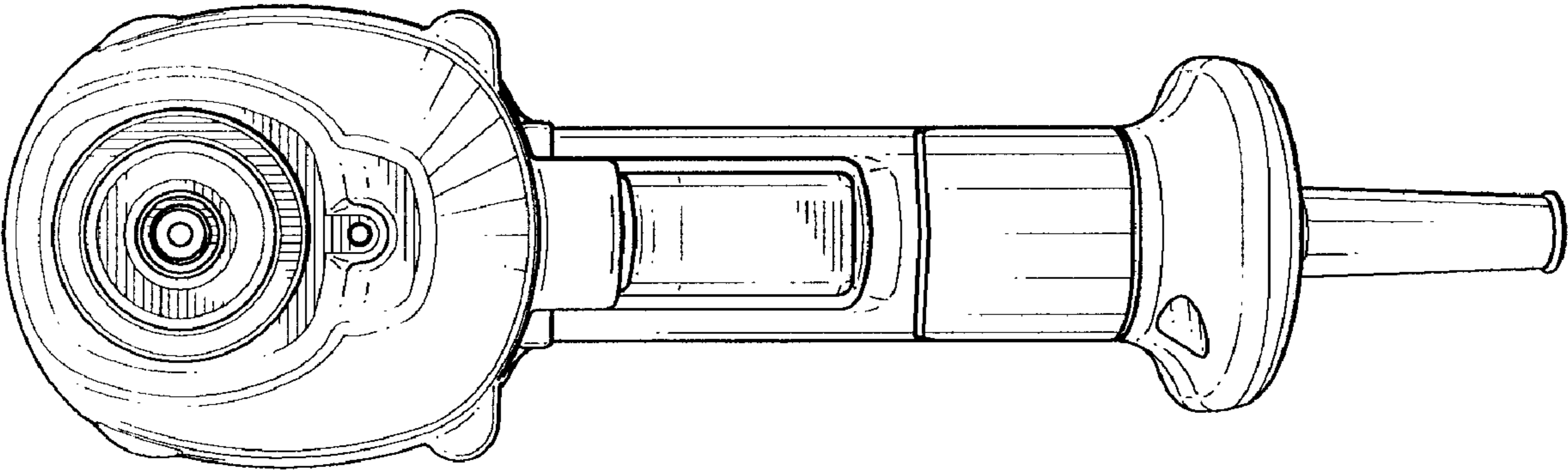


FIG. 4

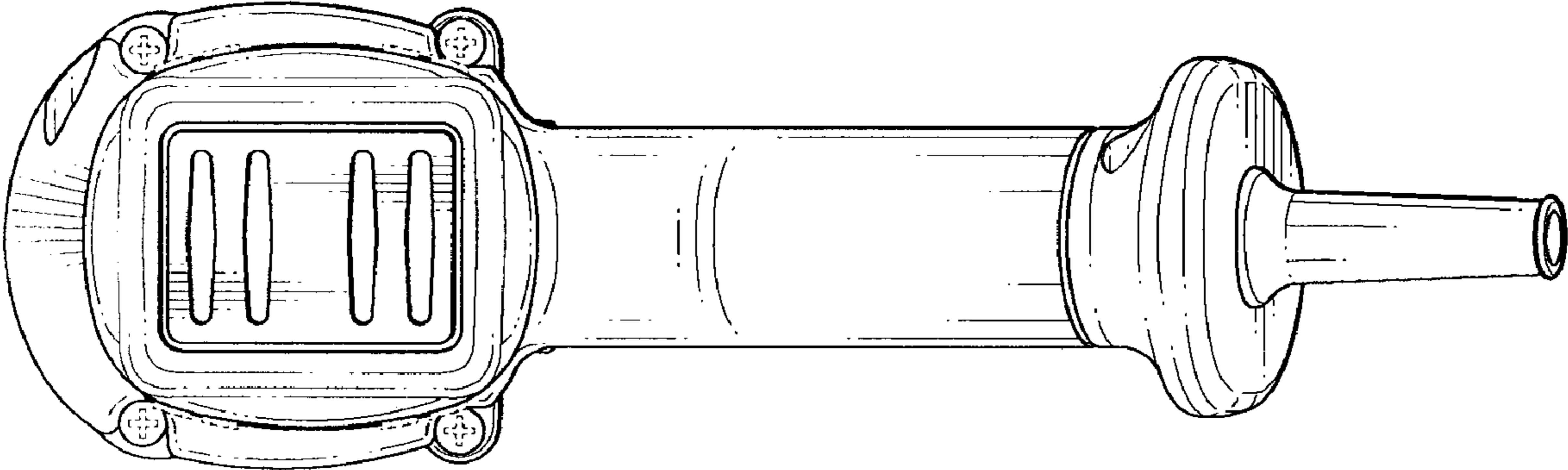


FIG. 5

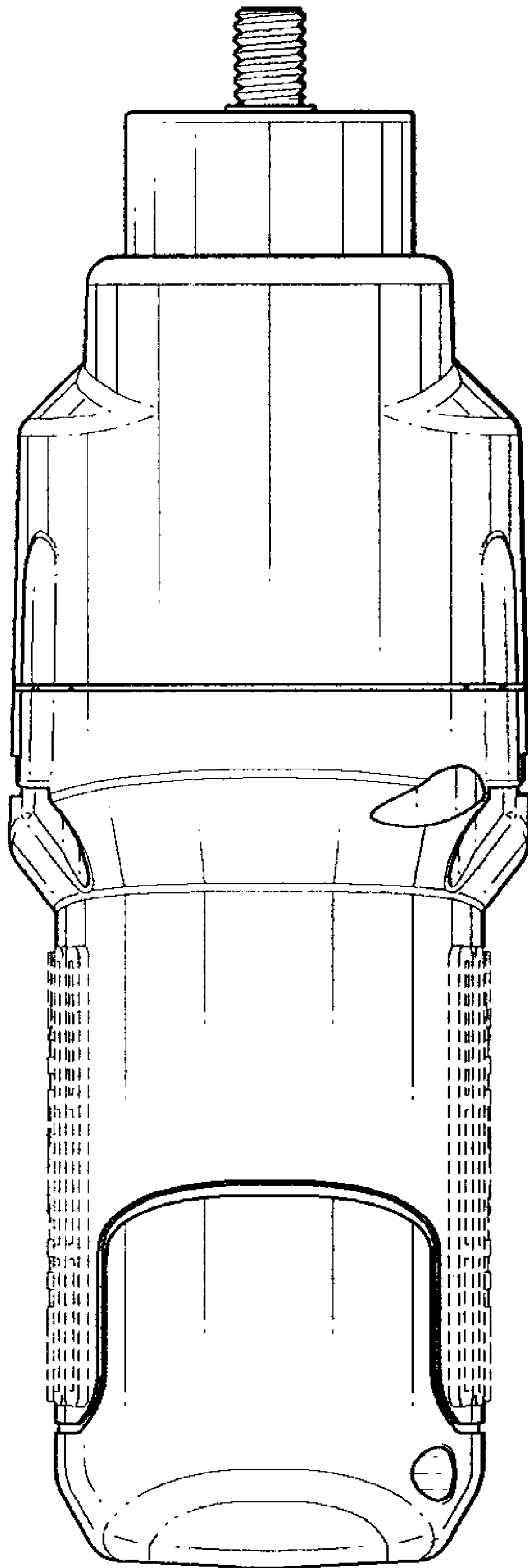


FIG. 6

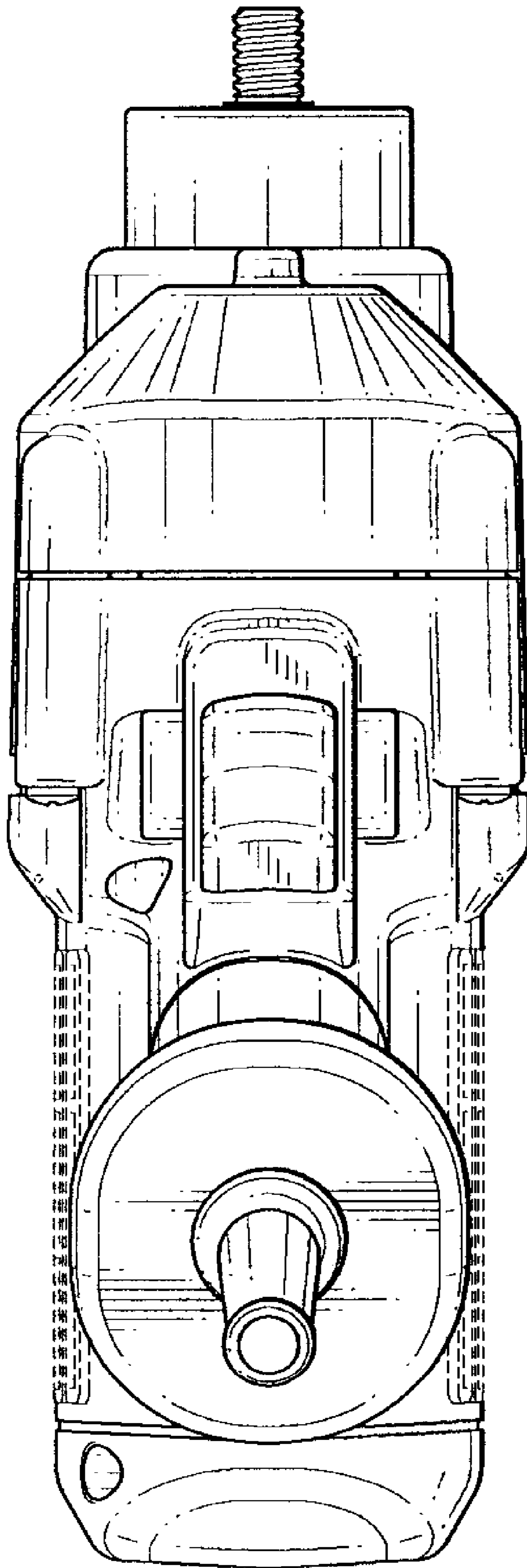


FIG. 7



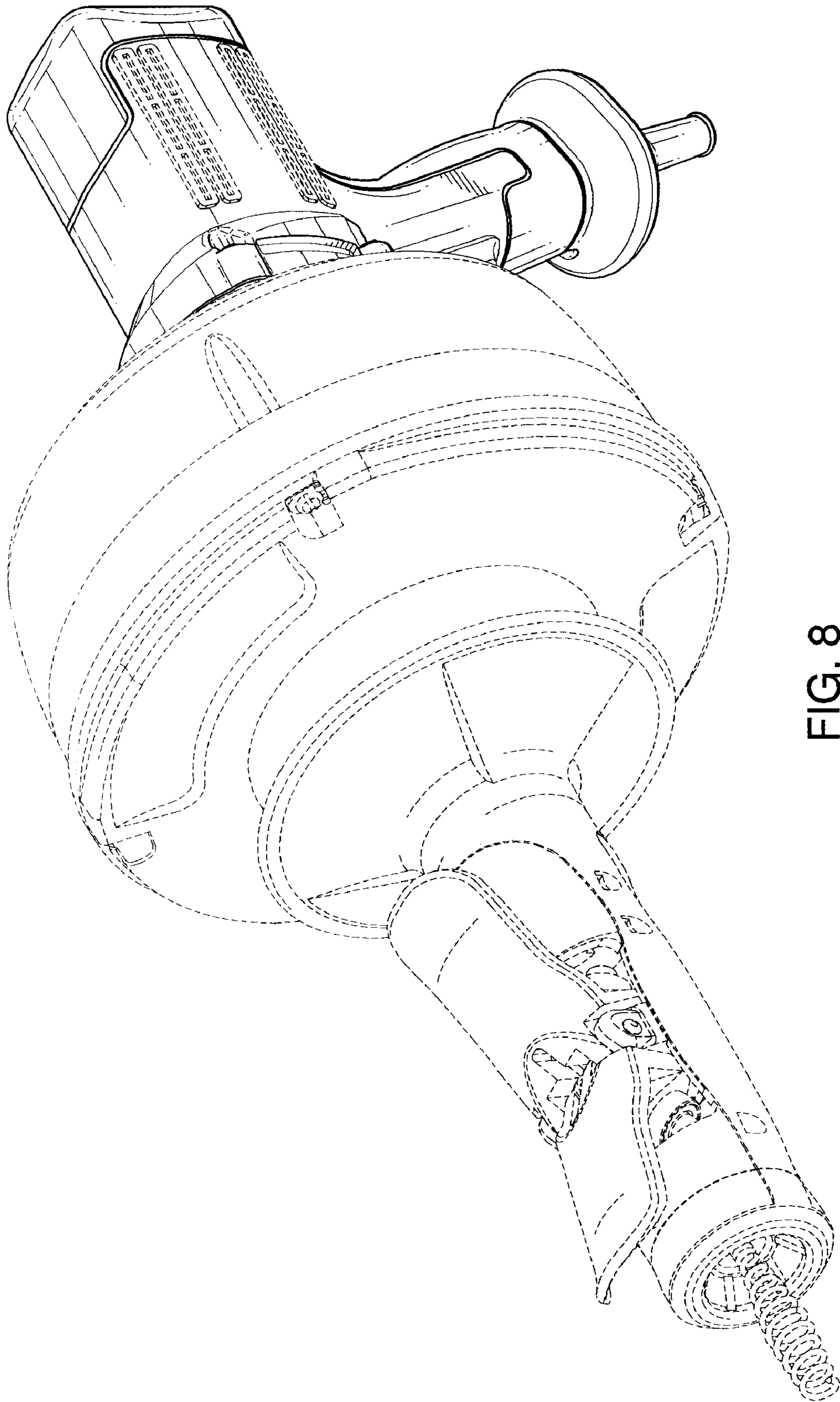


FIG. 8

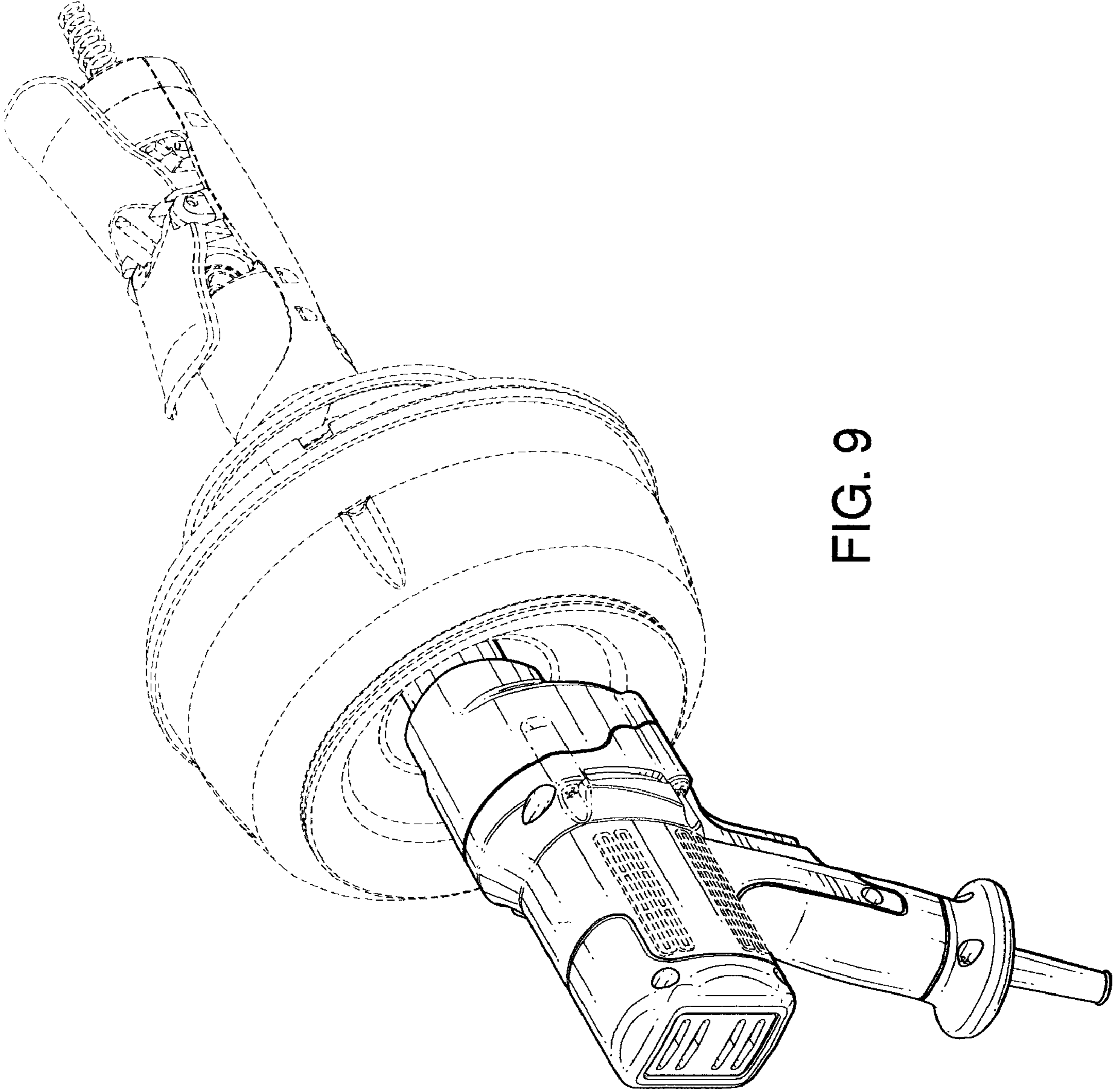


FIG. 9

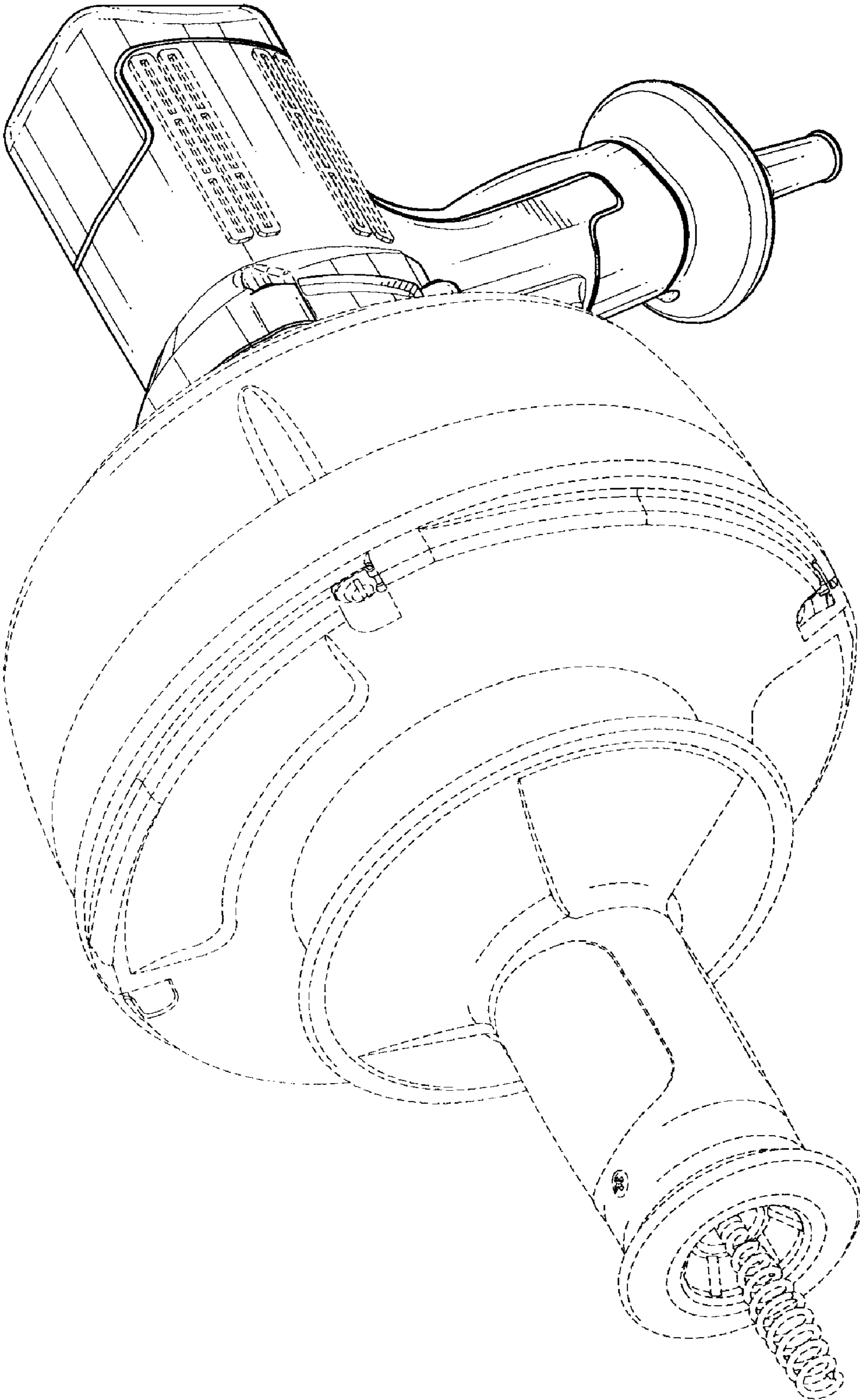


FIG. 10

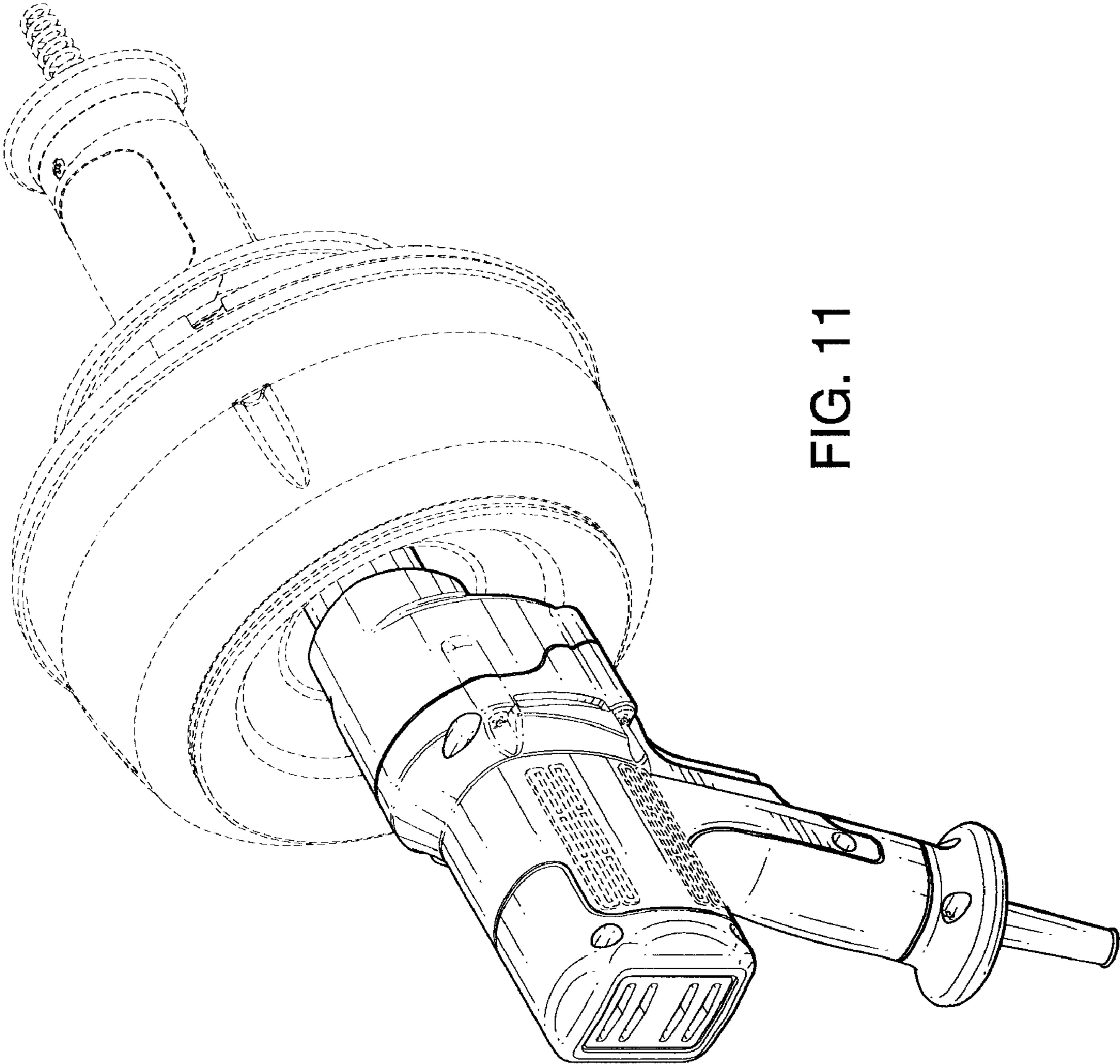


FIG. 11