



US00D629269S

(12) **United States Design Patent**
Okamoto

(10) **Patent No.:** **US D629,269 S**

(45) **Date of Patent:** **** Dec. 21, 2010**

(54) **CANNING FUNNEL**

(76) **Inventor:** **Niko Okamoto**, 8428 Seward Park Ave.
South, Seattle, WA (US) 98118

(**) **Term:** **14 Years**

(21) **Appl. No.:** **29/357,343**

(22) **Filed:** **Mar. 11, 2010**

(51) **LOC (9) Cl.** **07-99**

(52) **U.S. Cl.** **D7/700**

(58) **Field of Classification Search** D7/700;
D23/200; 141/297-300, 319-321, 331-345,
141/95.98

See application file for complete search history.

(56) **References Cited**

U.S. PATENT DOCUMENTS

585,172	A *	6/1897	Ashbaugh	141/340
3,465,892	A *	9/1969	Taylor	211/41.11
3,982,570	A *	9/1976	Devoe	141/95
4,108,220	A *	8/1978	Pantek	141/98
D297,489	S *	9/1988	Chap et al.	D7/601
5,762,120	A *	6/1998	Smith	141/340
D404,617	S *	1/1999	Mick et al.	D7/700
5,871,037	A *	2/1999	Feldt	141/391

6,539,991	B1 *	4/2003	Ackerman	141/331
D589,764	S *	4/2009	Randolph	D7/700

* cited by examiner

Primary Examiner—Terry A Wallace

(74) *Attorney, Agent, or Firm*—John R. Benefiel

(57) **CLAIM**

The ornamental design for canning funnel, as shown and described.

DESCRIPTION

FIG. 1 is a pictorial view of a canning funnel according to the present invention.

FIG. 2 is a front elevational view of the canning funnel shown in FIG. 1. the rear view being identical.

FIG. 3 is a top view of the canning funnel shown in FIGS. 1 and 2.

FIG. 4 is a right side elevational view of the canning tunnel shown in FIGS. 1-3, the left side elevational view being identical; and,

FIG. 5 is a bottom view of the canning funnel shown in FIGS. 1-5.

1 Claim, 3 Drawing Sheets

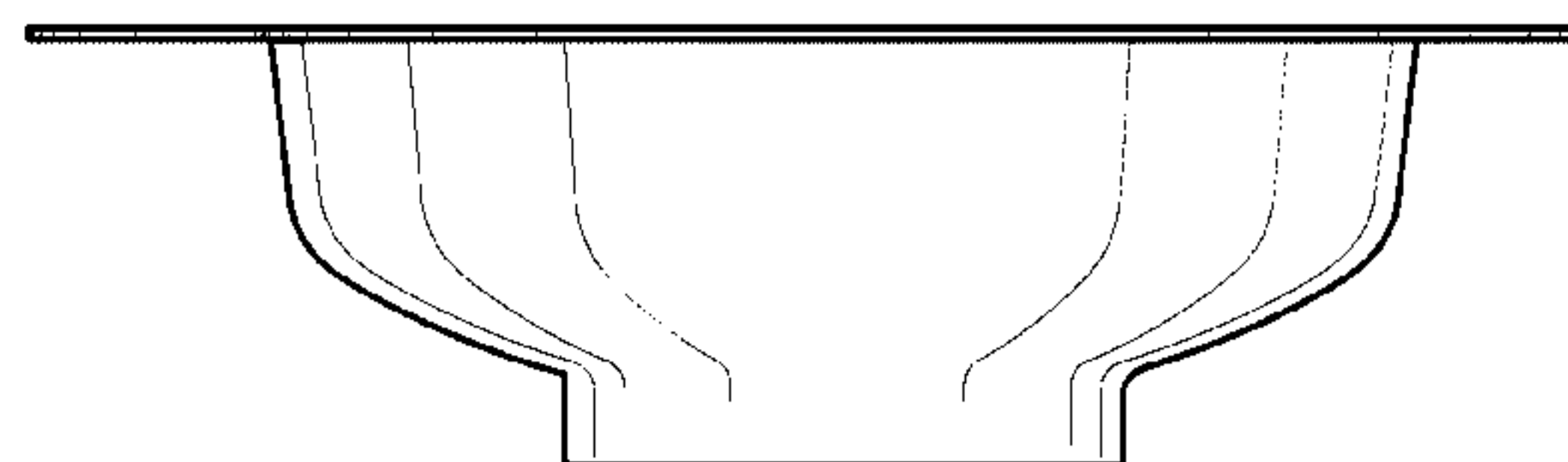
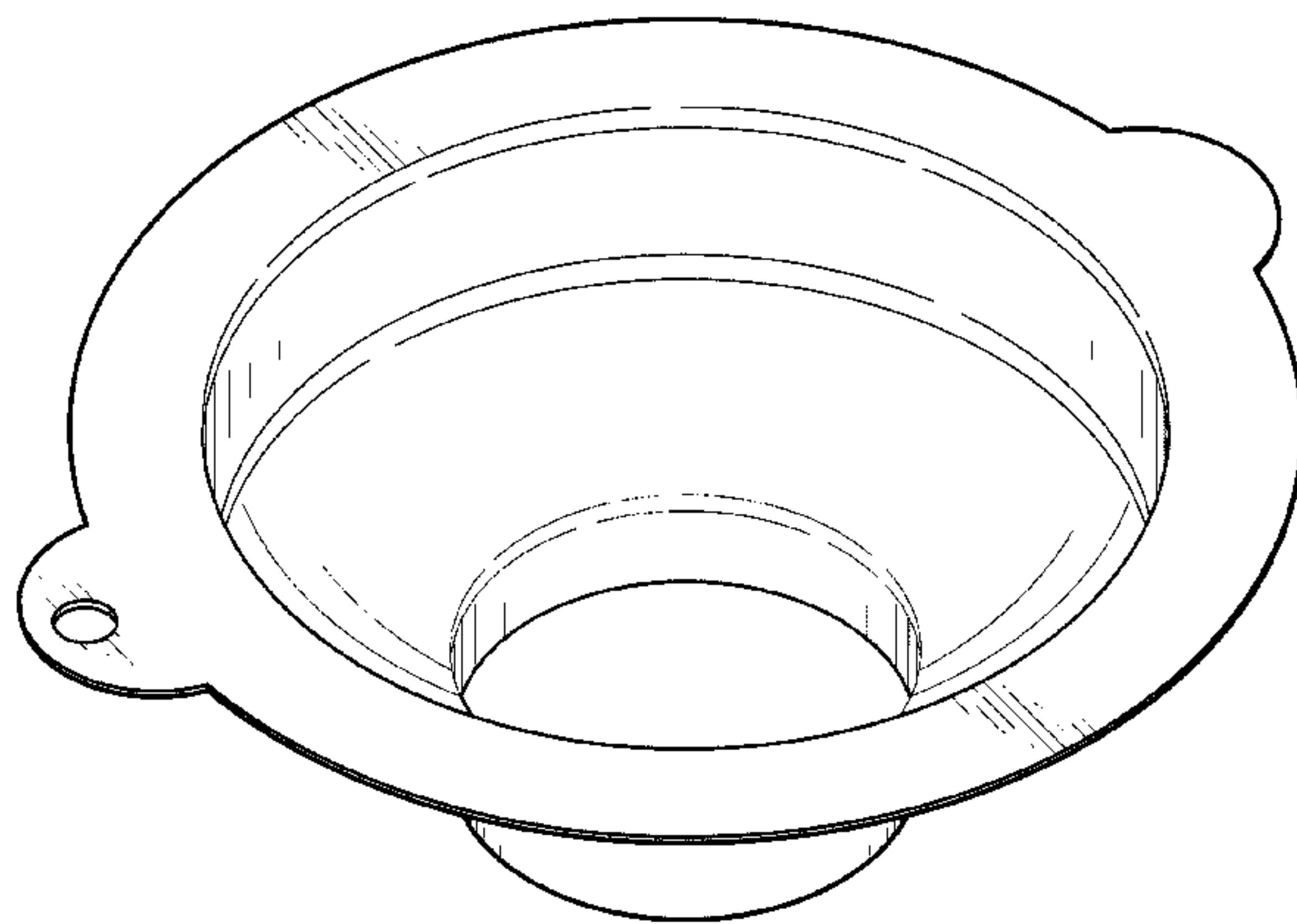


FIG. 1

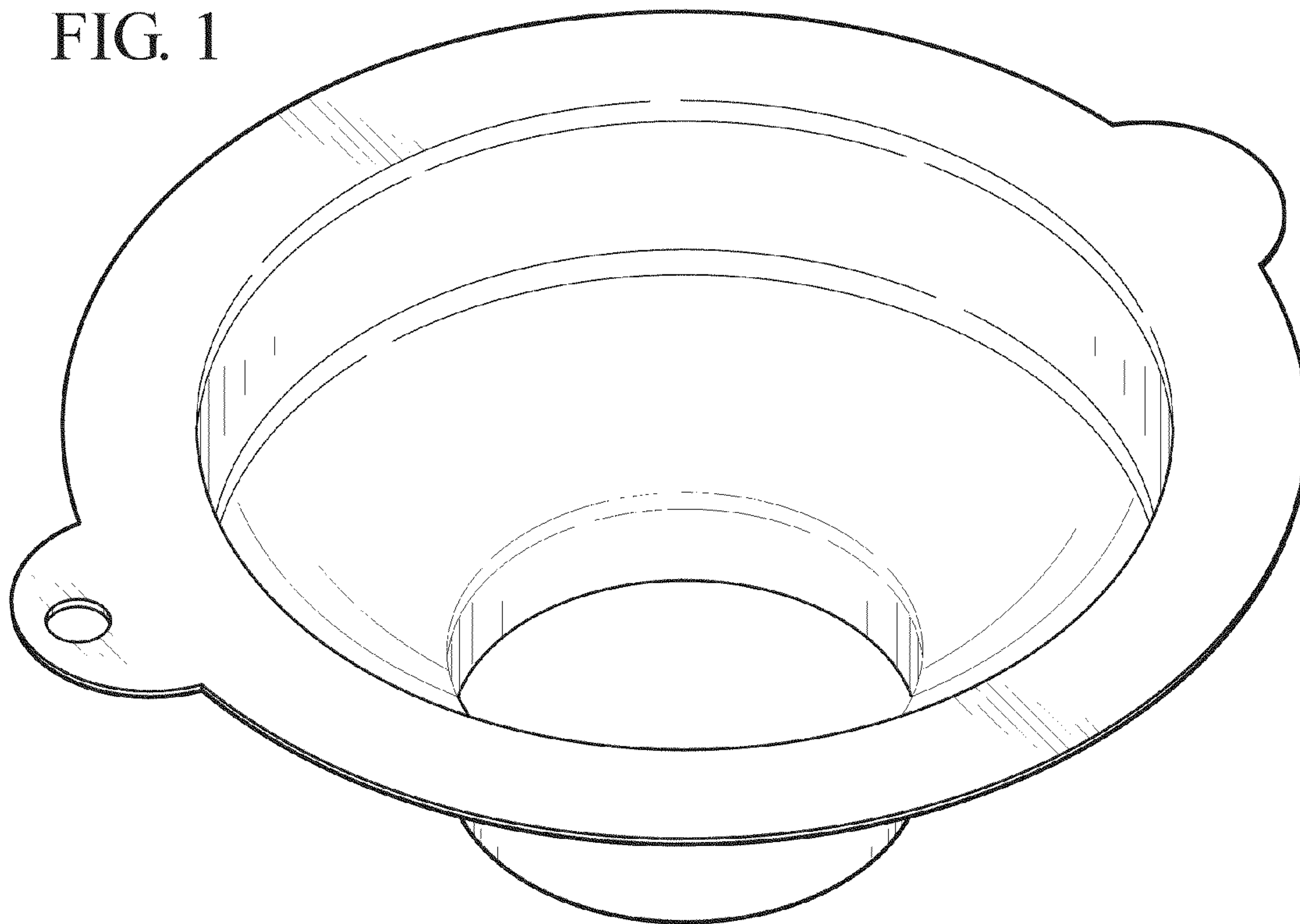


FIG. 2

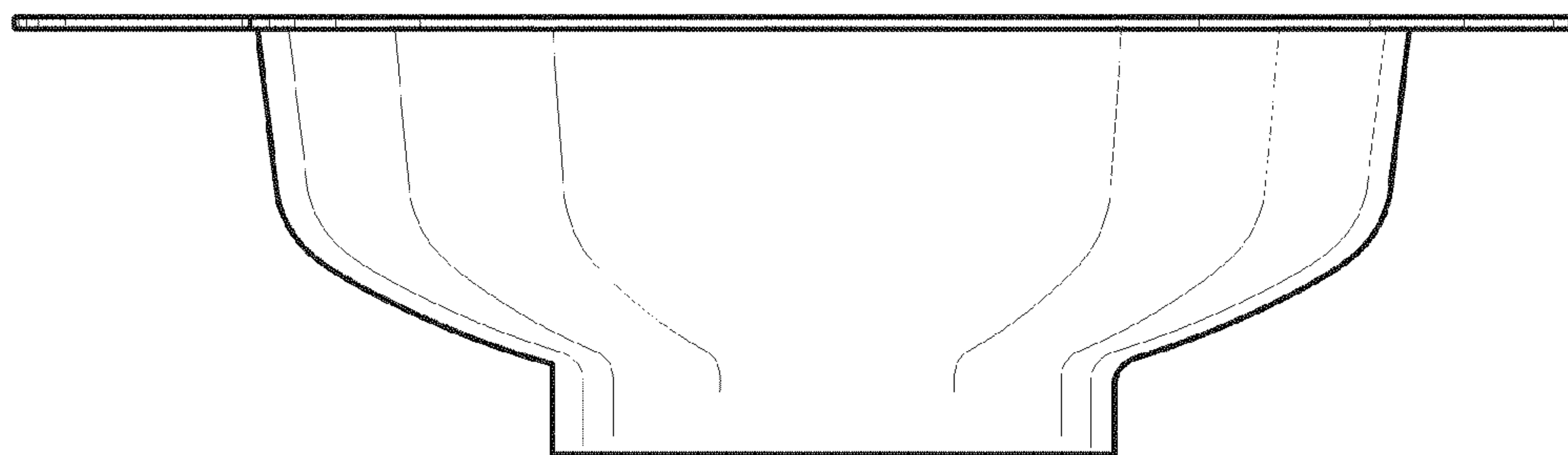


FIG. 3

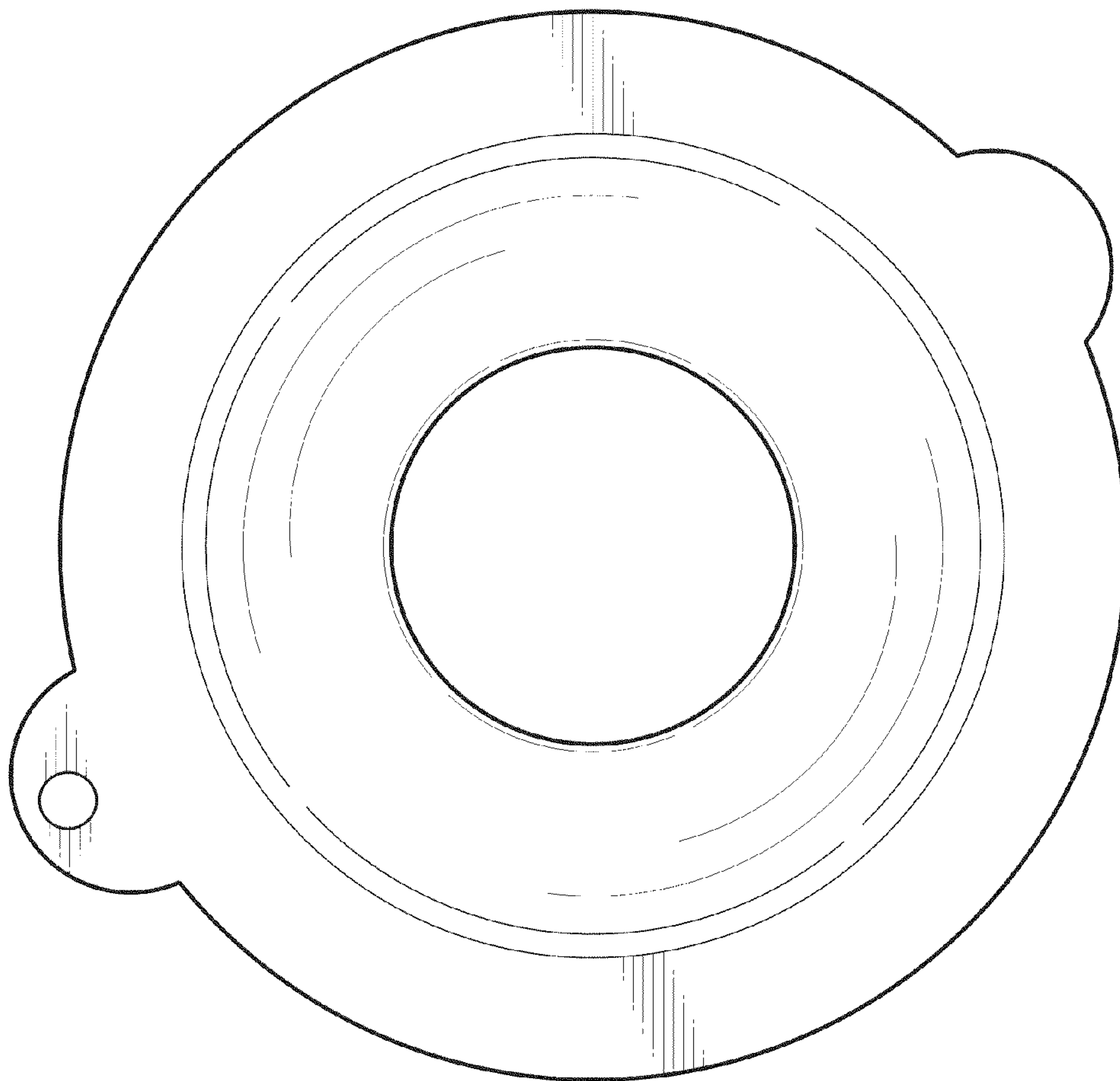


FIG. 4

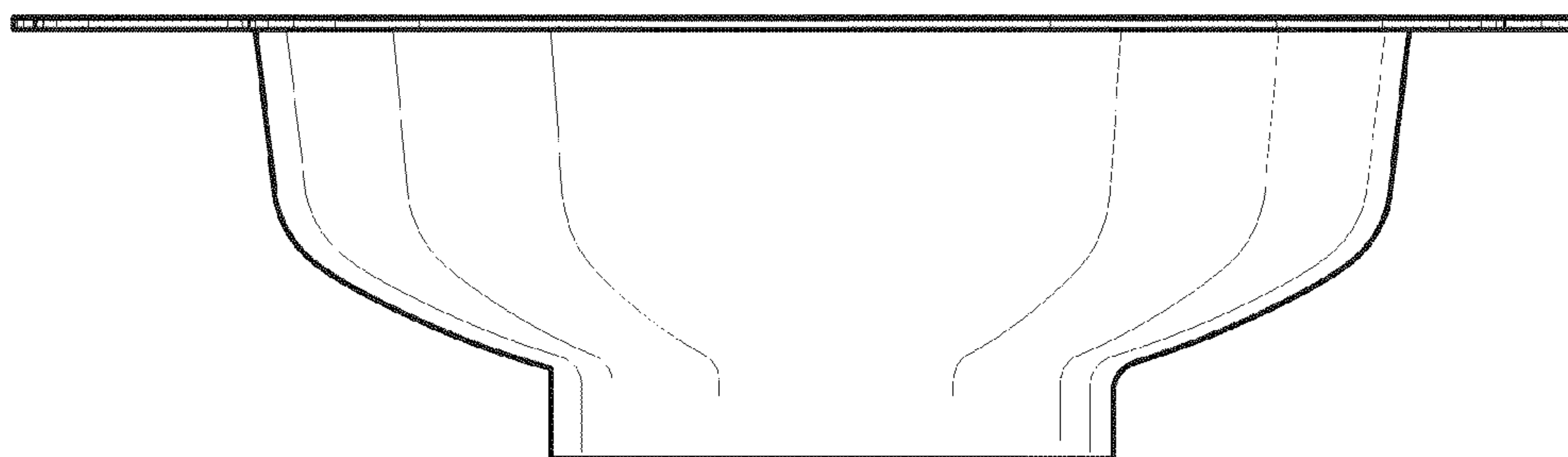


FIG. 5

