

US00D629267S

(12) **United States Design Patent**
Taylor

(10) **Patent No.:** **US D629,267 S**

(45) **Date of Patent:** **** Dec. 21, 2010**

(54) **PIT REMOVER**

(76) Inventor: **Garry L. Taylor**, 12888 Excalibur La.,
Bruce Township, MI (US) 48065

(**) Term: **14 Years**

(21) Appl. No.: **29/345,557**

(22) Filed: **Oct. 19, 2009**

(51) **LOC (9) Cl.** **07-06**

(52) **U.S. Cl.** **D7/693**

(58) **Field of Classification Search** D7/38,
D7/669, 673, 679, 683, 693, 381, 383-384,
D7/589-591, 597; 99/484-485, 495, 509-511;
366/64-65, 96, 242, 244, 247, 279, 343,
366/347; 30/113.1; D8/47
See application file for complete search history.

(56) **References Cited**

U.S. PATENT DOCUMENTS

D59,646 S * 11/1921 Fraass D7/669
2,990,615 A * 7/1961 Ohler 30/316
5,092,043 A * 3/1992 Shirkey 30/113.1

D362,590 S * 9/1995 Larson et al. D7/397
D384,961 S * 10/1997 Gassman D15/138
D564,308 S * 3/2008 Brunner et al. D7/693

* cited by examiner

Primary Examiner—Carol Rademaker

Assistant Examiner—Dana L Sipos

(74) *Attorney, Agent, or Firm*—Carlson, Gaskey & Olds, P.C.

(57) **CLAIM**

I claim the ornamental design for a pit remover, as shown and described.

DESCRIPTION

FIG. 1 is a perspective view of the pit remover.

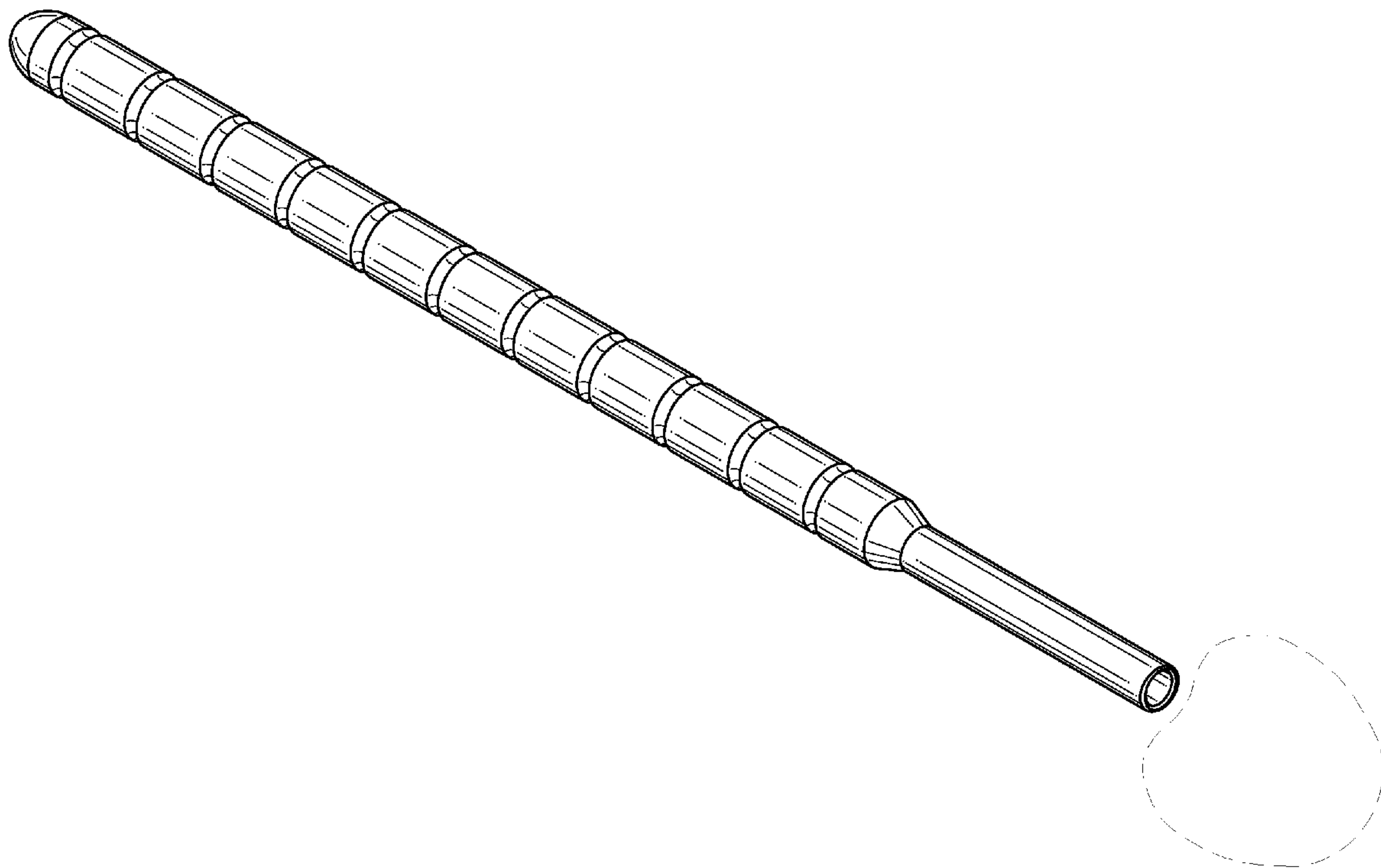
FIG. 2 is a side view of the pit remover.

FIG. 3 is a front view of the pit remover; and,

FIG. 4 is a back view of the pit remover.

The broken lines in the FIG. 1 drawing view are for illustrative purposes only and form no part of the claimed design.

1 Claim, 2 Drawing Sheets



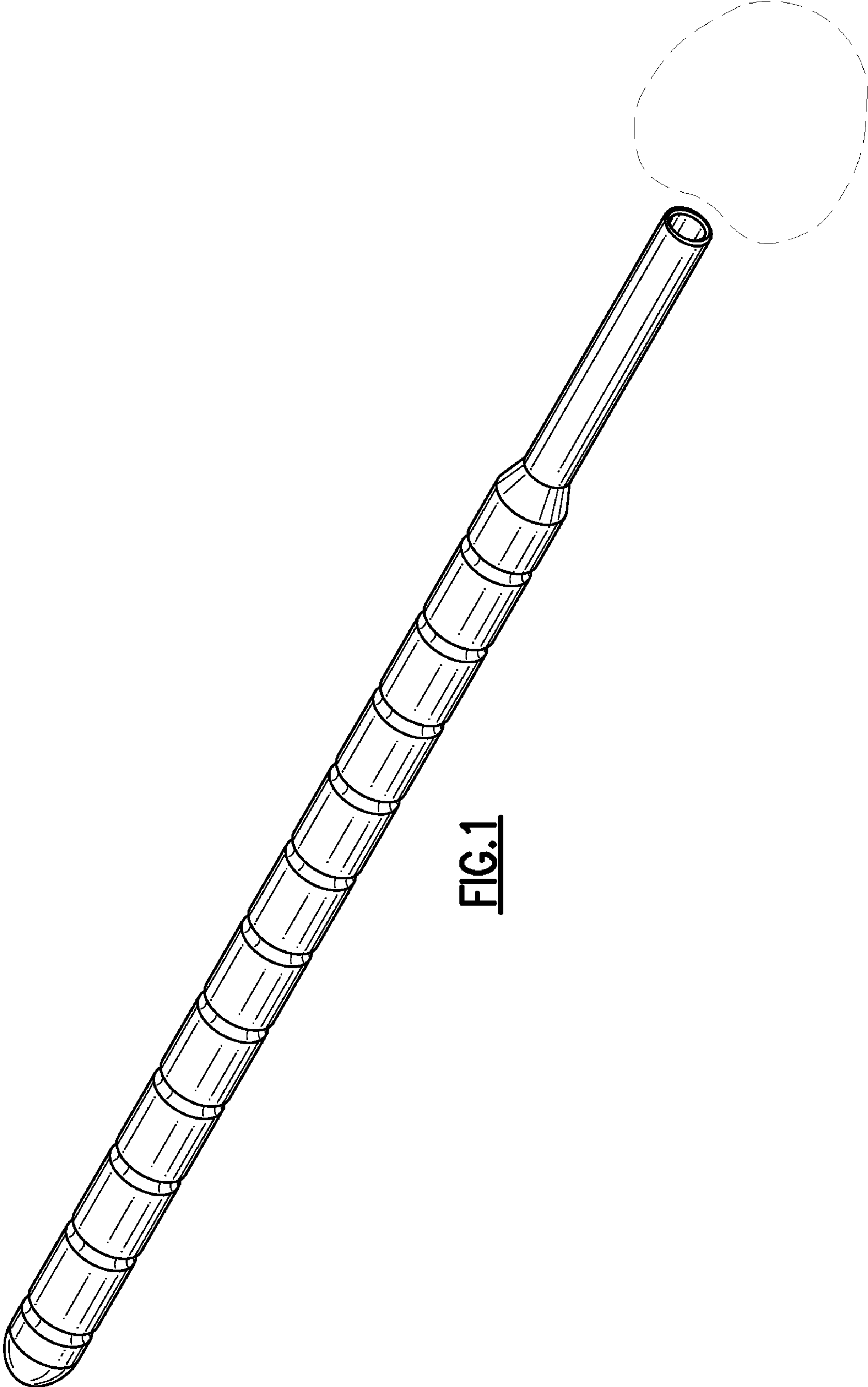


FIG. 1

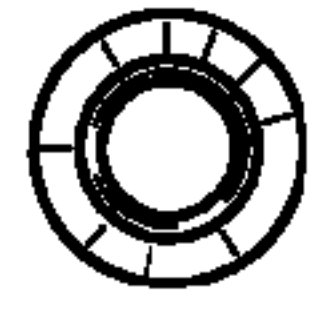


FIG. 4

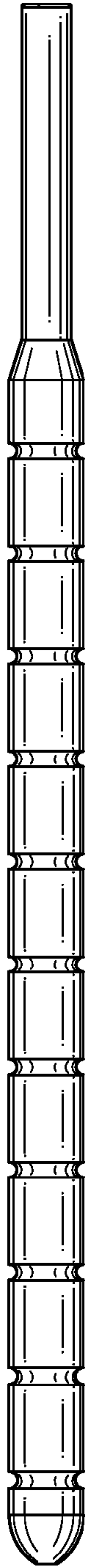


FIG. 2



FIG. 3