



US00D629260S

(12) **United States Design Patent**
Krent et al.

(10) **Patent No.:** **US D629,260 S**
(45) **Date of Patent:** **** Dec. 21, 2010**

(54) **KNIFE**

(75) Inventors: **Adam Krent**, Brooklyn, NY (US);
LeeLing Ho, Forest Hills, NY (US)

(73) Assignee: **Lifetime Brands, Inc.**, Garden City, NY
(US)

(**) Term: **14 Years**

(21) Appl. No.: **29/331,162**

(22) Filed: **Jan. 21, 2009**

(51) **LOC (9) Cl.** **07-03**

(52) **U.S. Cl.** **D7/649**

(58) **Field of Classification Search** D7/368,
D7/393-395, 401.2, 642-653, 669, 675-676,
D7/688-696; D8/97-99, 102, 107, 300,
D8/303, 321; D22/117-118; 16/110.1, 407,
16/430, DIG. 18; 30/136, 142-150, 329,
30/340-346

See application file for complete search history.

(56) **References Cited**

U.S. PATENT DOCUMENTS

D400,059 S * 10/1998 Cohen et al. D7/649
D447,925 S * 9/2001 Osborne D8/107
D455,937 S * 4/2002 Huebner D7/649
D473,430 S * 4/2003 Fedor et al. D7/649
D483,625 S * 12/2003 Chien D7/649

D498,394 S * 11/2004 Chen D7/650
D513,927 S * 1/2006 Chen D7/395
D538,590 S * 3/2007 Stahl D7/395
D539,082 S * 3/2007 Molayem D7/393
D539,083 S * 3/2007 Molayem D7/393
D557,081 S * 12/2007 Hadj-Chikh et al. D7/649
D565,359 S * 4/2008 Thun D7/649

* cited by examiner

Primary Examiner—Ricky Pham

(74) *Attorney, Agent, or Firm*—Ryan A. Schneider, Esq.;
Troutman Sanders LLP

(57) **CLAIM**

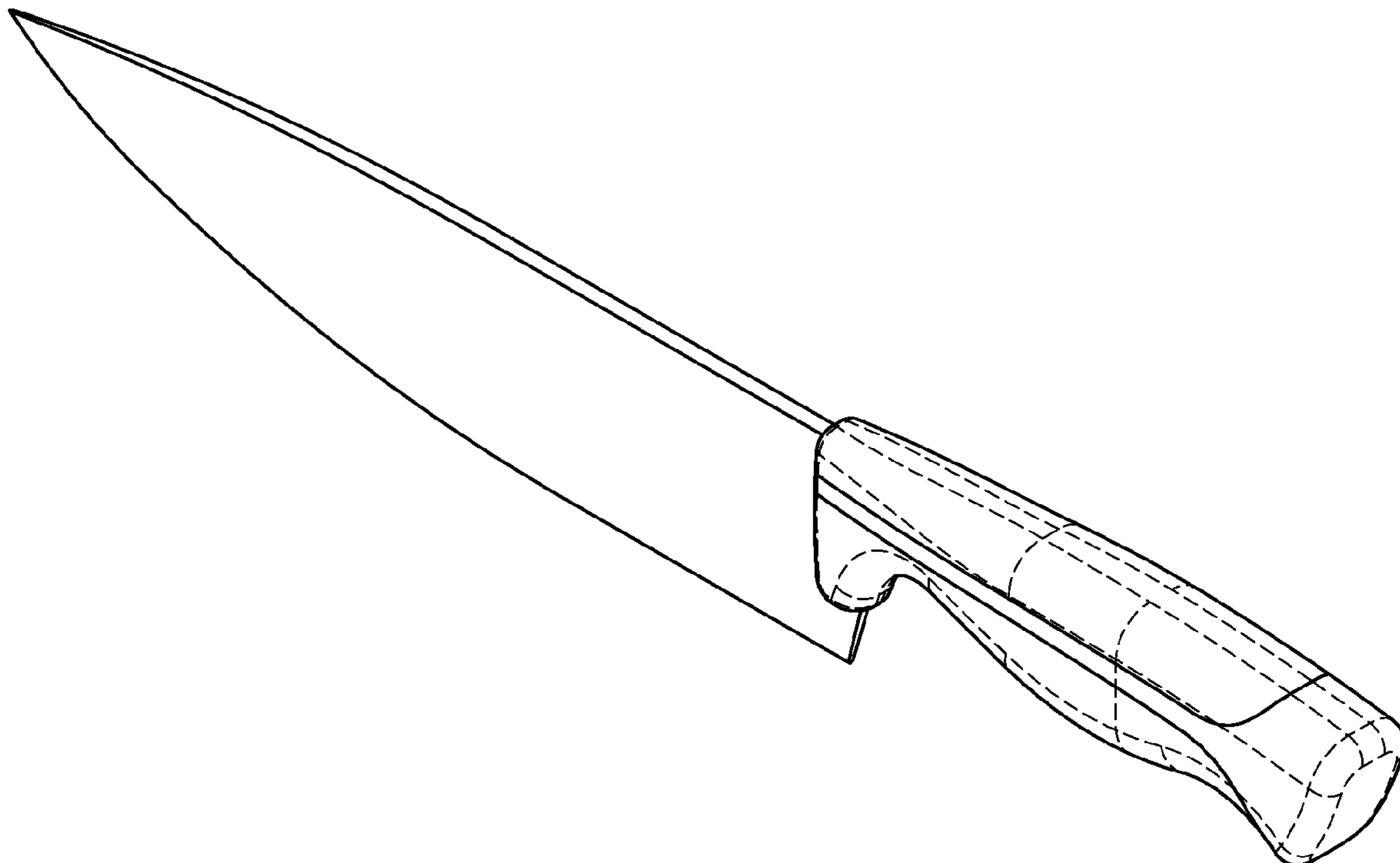
The ornamental design for a knife, as shown and described.

DESCRIPTION

FIG. 1 is a perspective view of a knife of the present invention;
FIG. 2 is another perspective view of the knife of FIG. 1;
FIG. 3 is a side elevation view of the knife of FIG. 1;
FIG. 4 is a top view of the knife of FIG. 1;
FIG. 5 is a bottom view of the knife of FIG. 1;
FIG. 6 is a blade end view of the knife of FIG. 1; and,
FIG. 7 is a handle end view of the knife of FIG. 1.

The broken lines shown in the drawings are for illustrative purposes only and form no part of the claimed design.

1 Claim, 2 Drawing Sheets



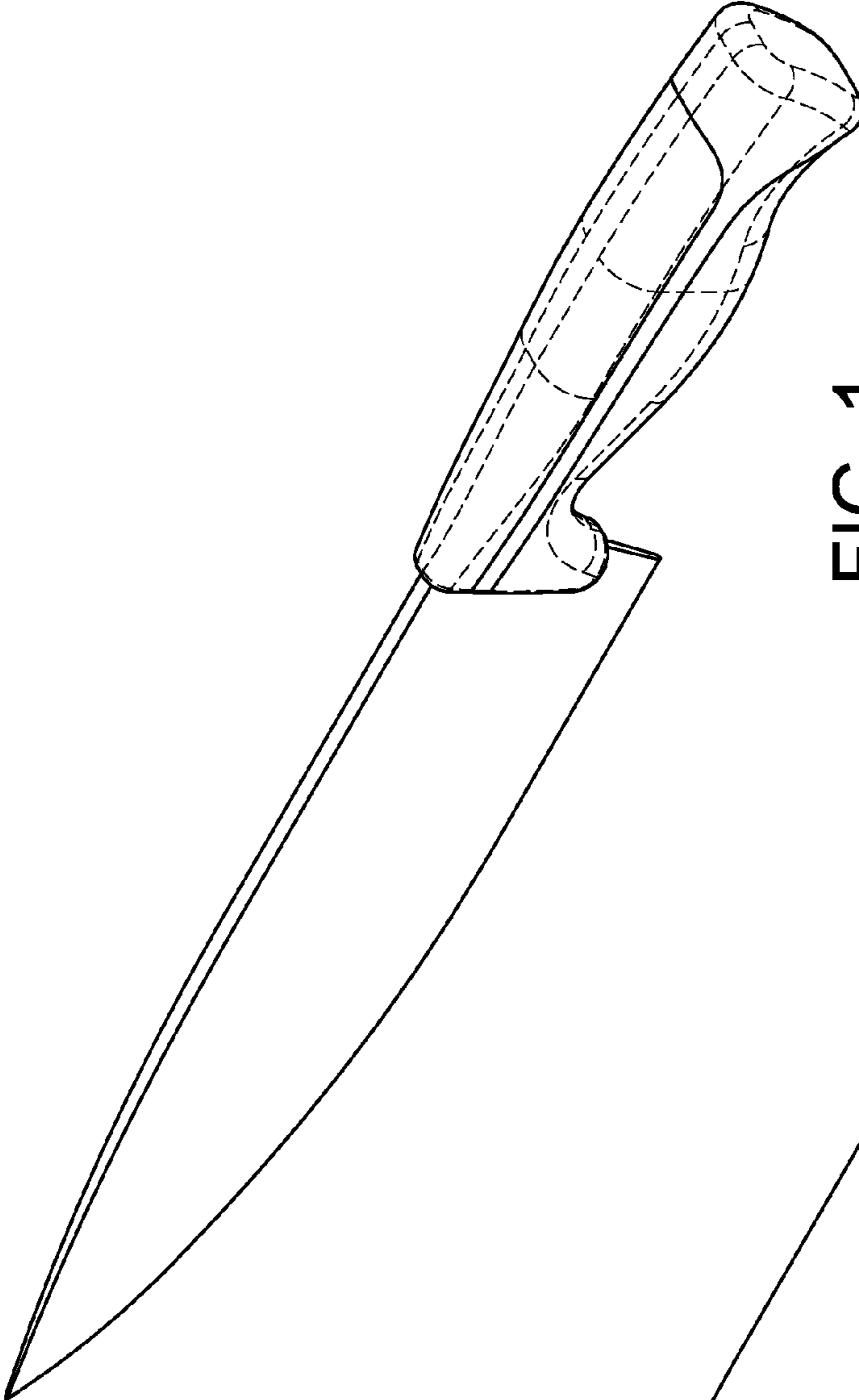


FIG. 1

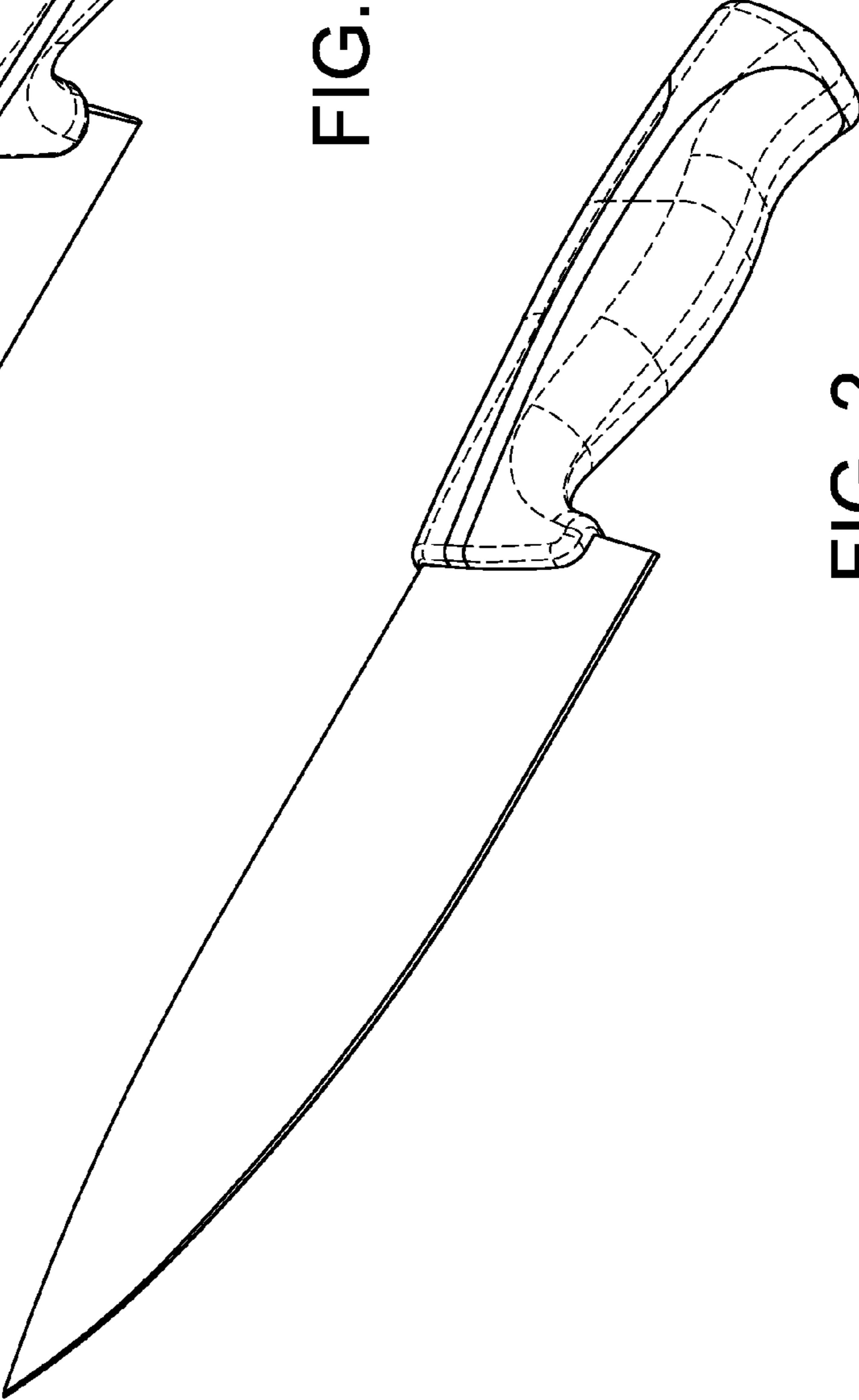


FIG. 2

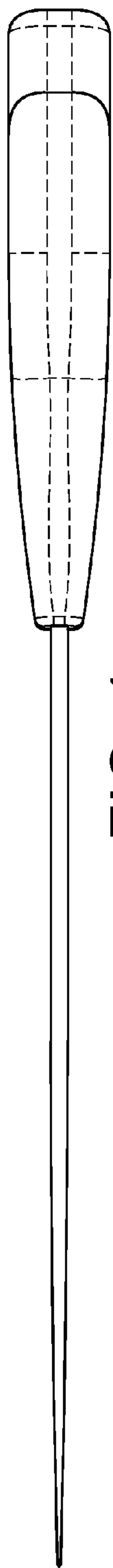


FIG. 4

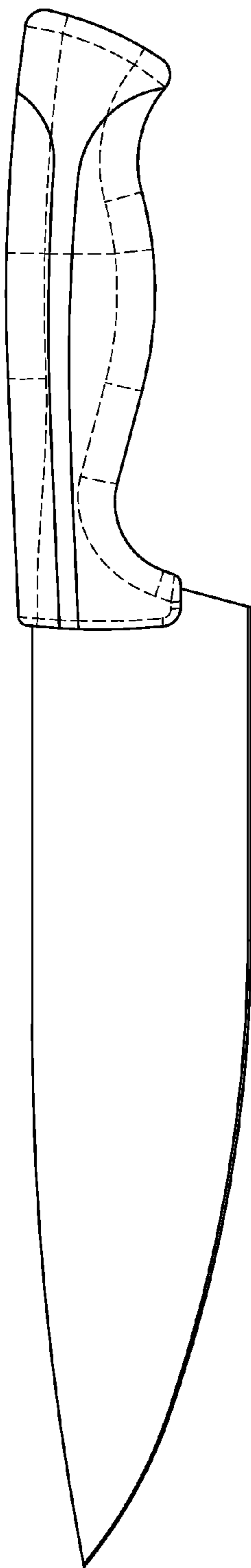


FIG. 3

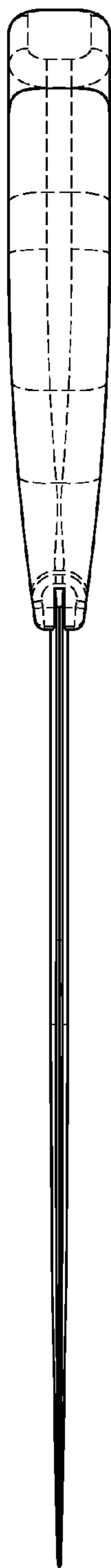


FIG. 5

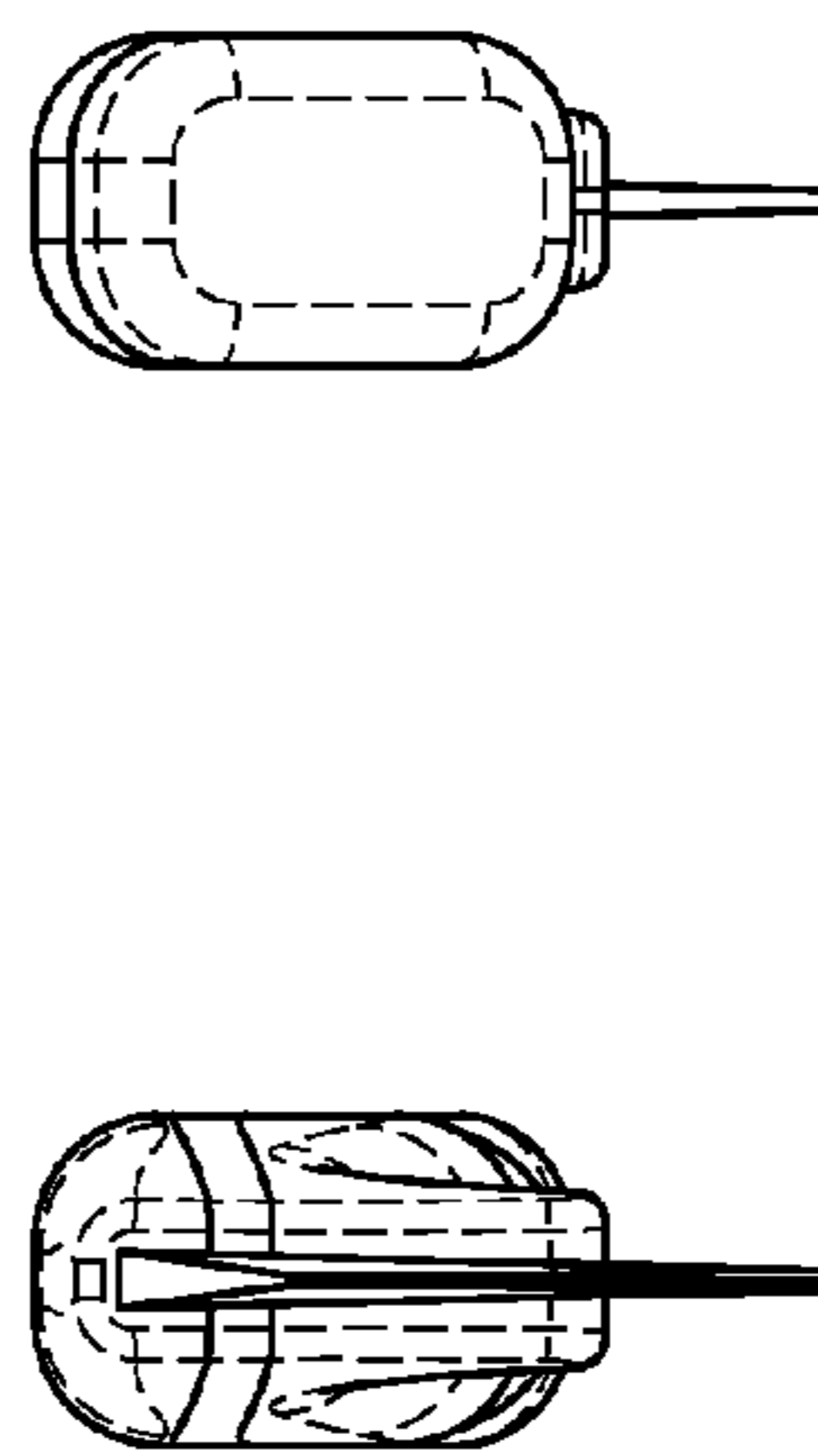


FIG. 6

FIG. 7