



US00D629258S

(12) **United States Design Patent**
Tiemann

(10) **Patent No.:** **US D629,258 S**

(45) **Date of Patent:** **** Dec. 21, 2010**

(54) **STACKED SINGLE SERVE COFFEE BASKET**

(75) **Inventor:** **Frank R. Tiemann**, Madison Lake, MN (US)

(73) **Assignee:** **Nifty Home Products, Inc.**, Madison Lake, MN (US)

(**) **Term:** **14 Years**

(21) **Appl. No.:** **29/359,293**

(22) **Filed:** **Apr. 8, 2010**

(51) **LOC (9) Cl.** **07-06**

(52) **U.S. Cl.** **D7/600.4; D6/465; D6/566**

(58) **Field of Classification Search** D7/600.1–600.4, D7/704, 409, 584–587; D6/407, 449, 462–467, D6/474–476, 511, 525, 537, 540, 566, 567, D6/572, 574; D19/86, 92; D3/304, 306; D32/55, 58; 211/13.1, 191.1, 41.4, 86.01, 211/88.01

See application file for complete search history.

(56) **References Cited**

U.S. PATENT DOCUMENTS

D358,507 S * 5/1995 Goodman et al. D6/462
D371,228 S * 6/1996 Monin D7/409
D414,306 S * 9/1999 Hollinger D32/55

D446,688 S * 8/2001 Vanello D7/601
D479,272 S * 9/2003 Hardy et al. D19/92
D528,877 S * 9/2006 Goodman et al. D7/704
D548,896 S * 8/2007 Stewart D30/131
D613,093 S * 4/2010 Snider D6/462

* cited by examiner

Primary Examiner—Terry A Wallace

(74) *Attorney, Agent, or Firm*—Thomas J. Nikolai; Nikolai & Mersereau, P.A.

(57) **CLAIM**

The ornamental design for the “stacked single serve coffee basket,” as shown and described.

DESCRIPTION

FIG. 1 is a perspective view of the stacked single serve coffee basket;

FIG. 2 is a front view thereof;

FIG. 3 is a back view thereof;

FIG. 4 is a top view thereof;

FIG. 5 is a bottom view thereof;

FIG. 6 is a right side view thereof; and,

FIG. 7 is a left side view thereof.

1 Claim, 7 Drawing Sheets

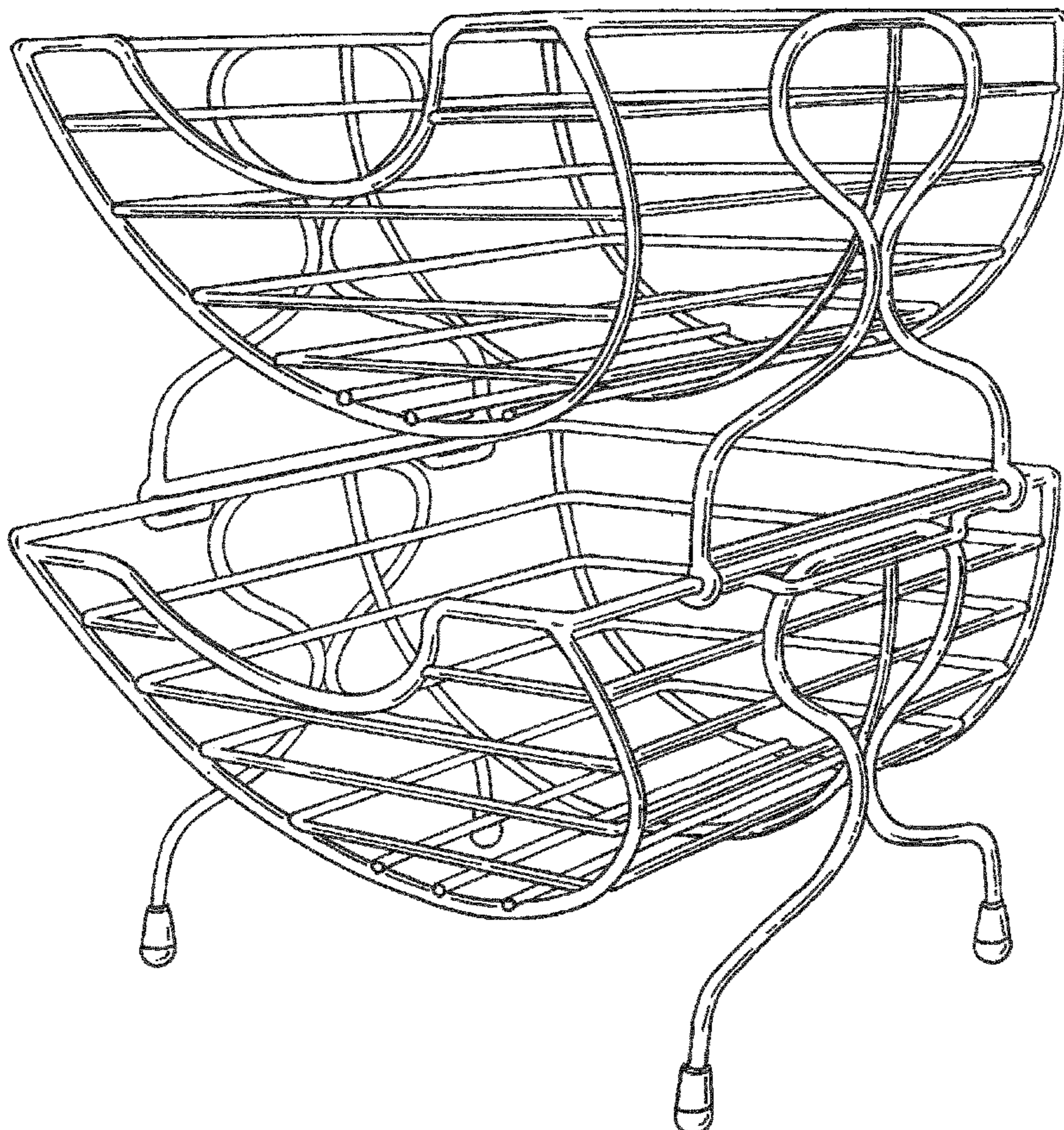


FIG. 1

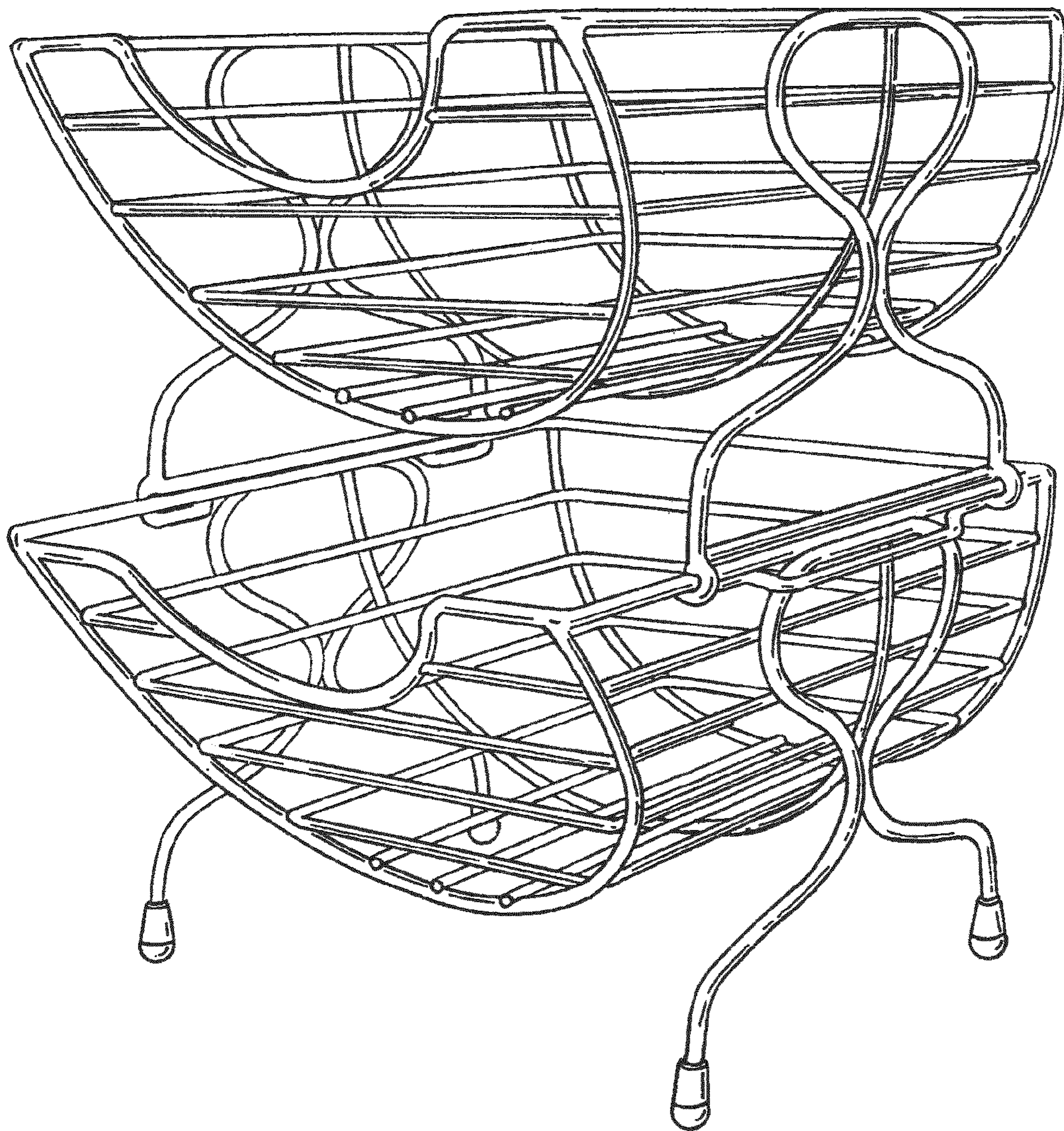


FIG. 2

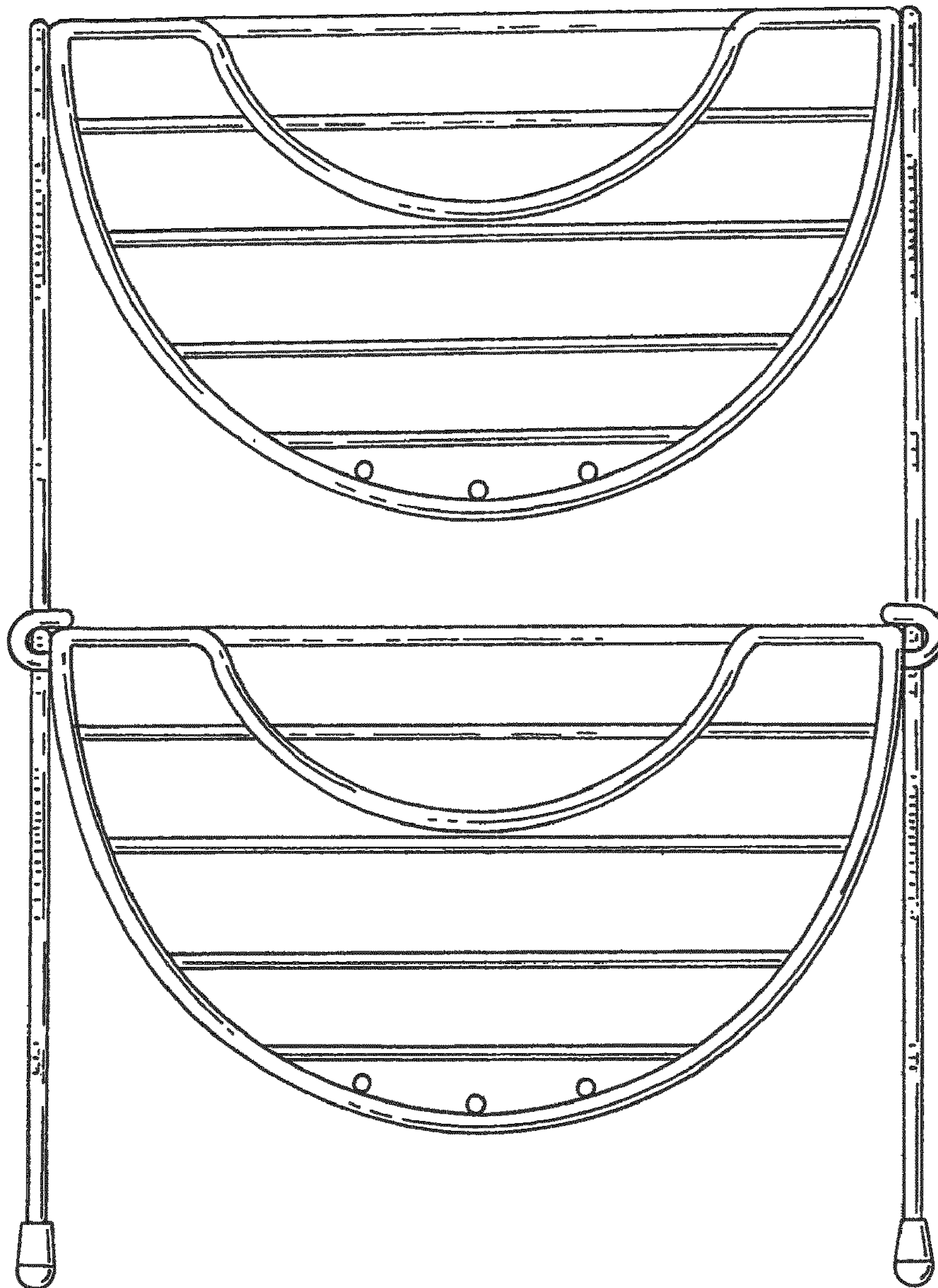


FIG. 3

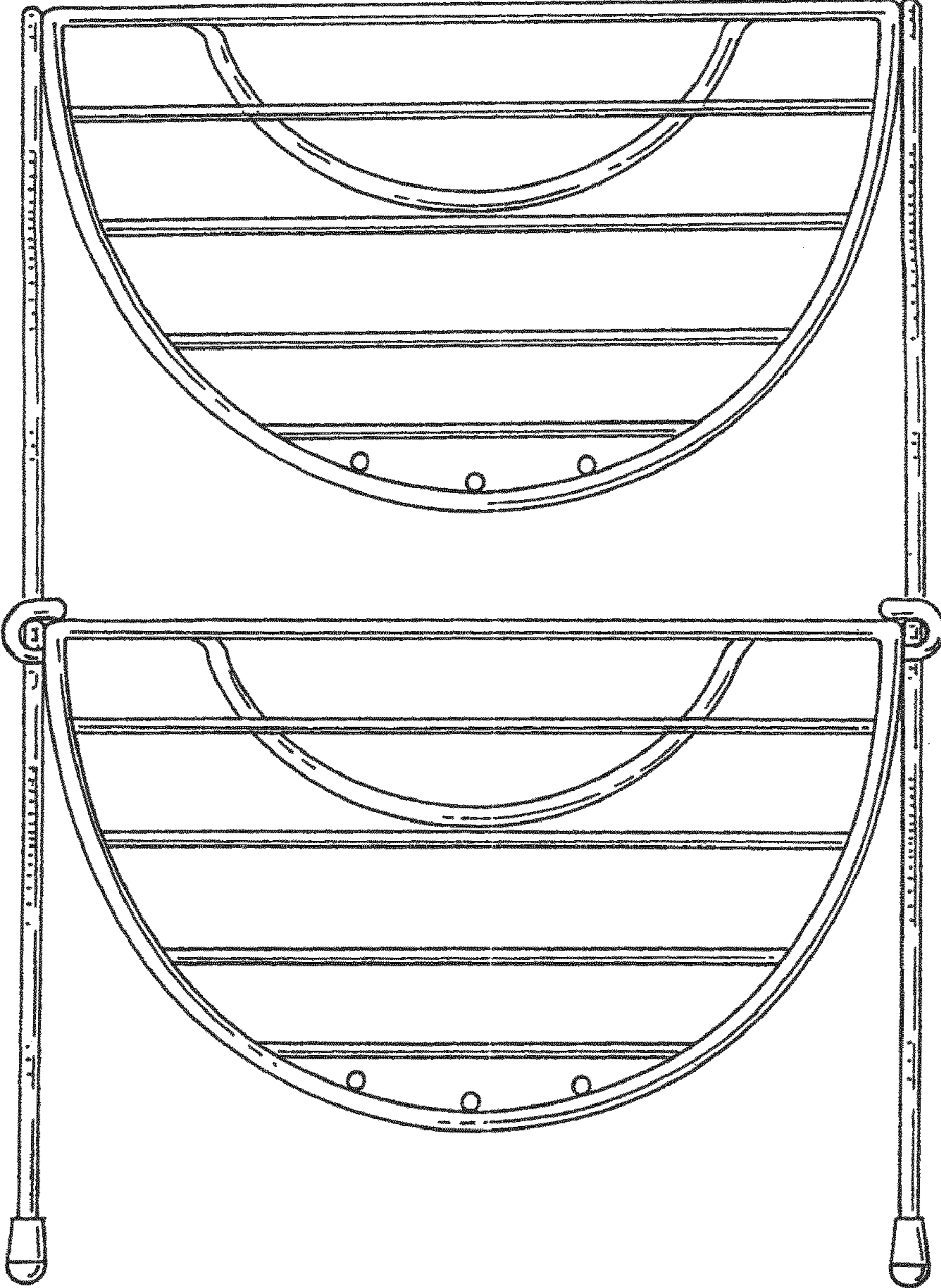


FIG. 4

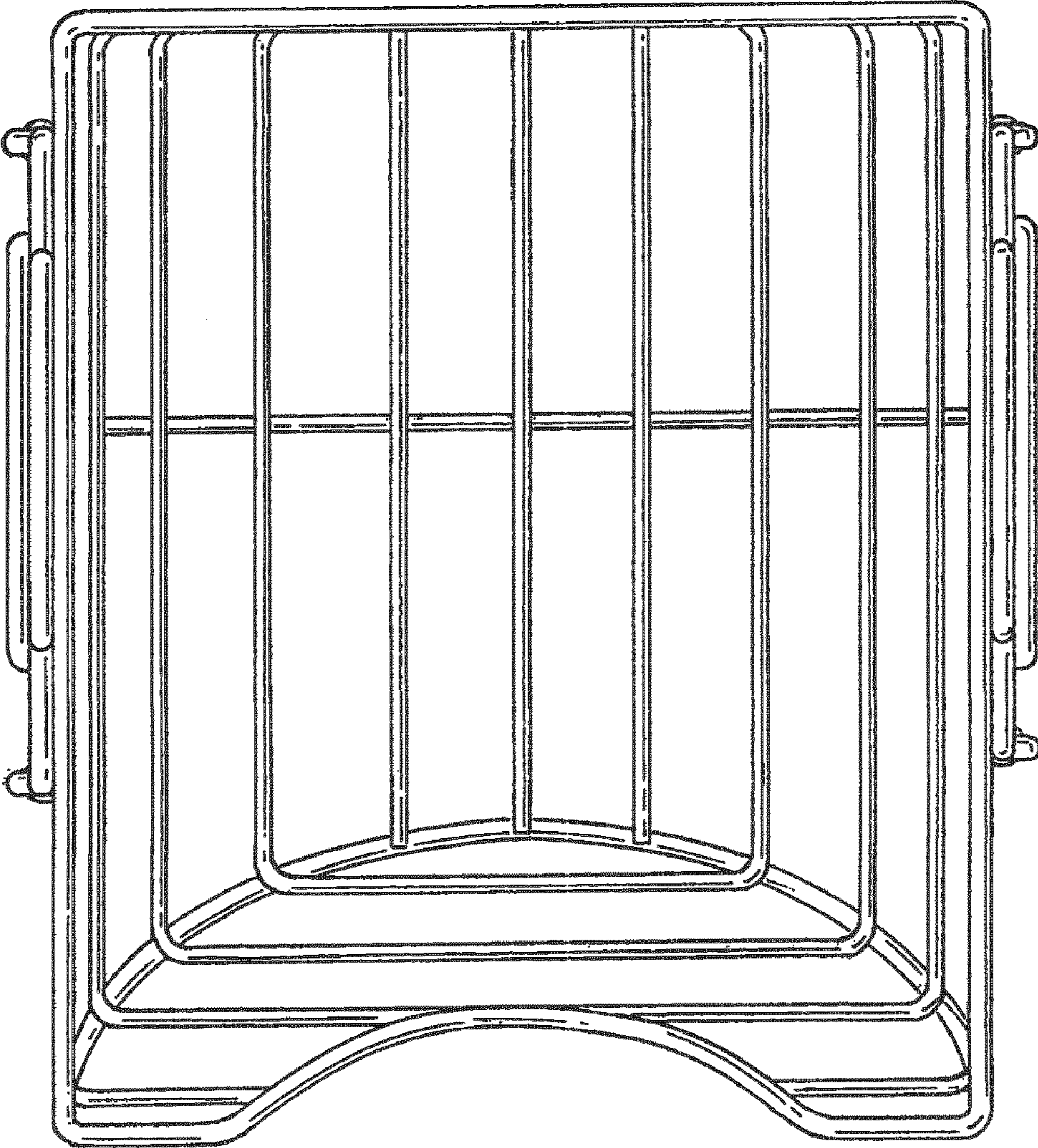


FIG. 5

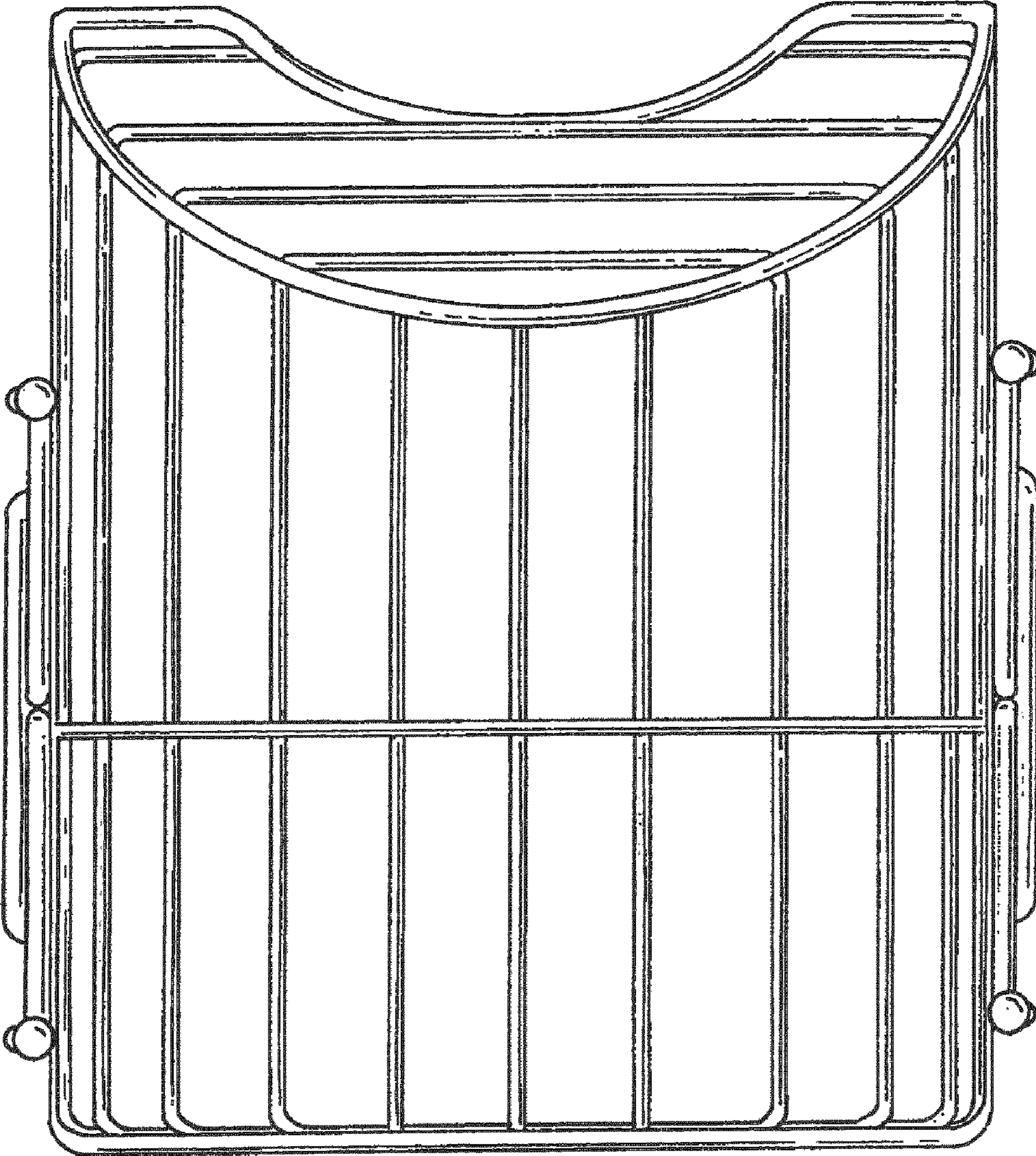


FIG. 6

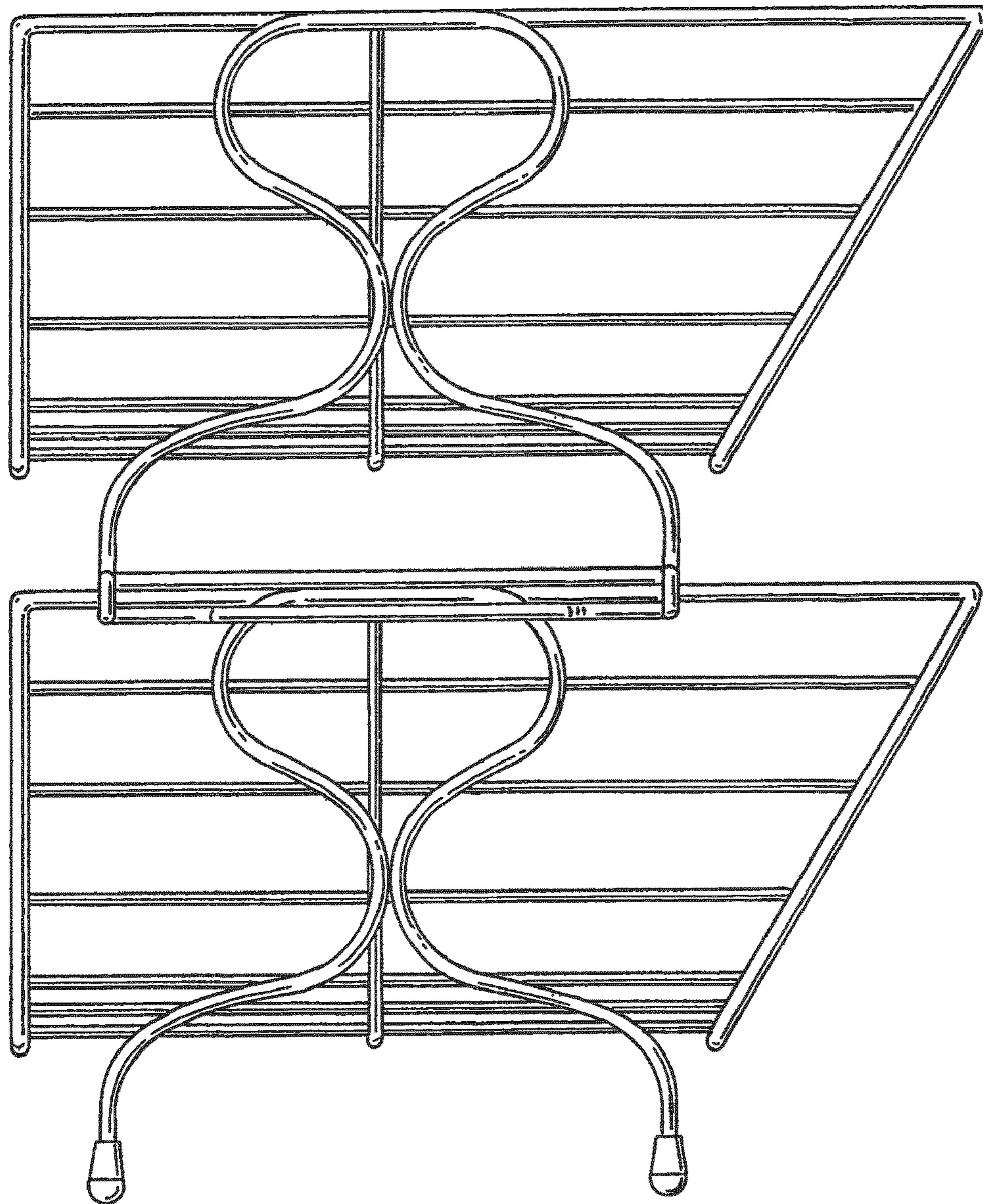


FIG. 7

