



US00D629257S

(12) **United States Design Patent**
Dagan

(10) **Patent No.:** **US D629,257 S**

(45) **Date of Patent:** **** Dec. 21, 2010**

(54) **SALT AND PEPPER DISPENSER SET**

(76) **Inventor:** **Gideon Dagan**, 3210 Mountain View Ave., Los Angeles, CA (US) 90066

(**) **Term:** **14 Years**

(21) **Appl. No.:** **29/359,507**

(22) **Filed:** **Apr. 12, 2010**

(51) **LOC (9) Cl.** **07-06**

(52) **U.S. Cl.** **D7/594**

(58) **Field of Classification Search** D7/590-599,
D7/679, 628; D9/600; 222/142.1-142.9,
222/480-482

See application file for complete search history.

(56) **References Cited**

U.S. PATENT DOCUMENTS

D39,956	S	*	5/1909	Greene	D7/596
1,362,442	A	*	12/1920	Schneider	222/142.4
D118,148	S	*	12/1939	Broude	D7/596
2,358,723	A	*	9/1944	McFarlane	222/142.4
D276,017	S	*	10/1984	Brewster	D7/596

OTHER PUBLICATIONS

- Co-pending U.S. Appl. No. 29/359,508, filed Apr. 12, 2010.
- Humania Salt & Pepper Bottle.
- Ceramic Salt & Pepper Men.
- Mr. & Mrs. Chin Salt & Pepper Set.
- Mint Hug Salt and Pepper Set.

* cited by examiner

Primary Examiner—Terry A Wallace

(74) *Attorney, Agent, or Firm*—Sheldon & Scillieri

(57) **CLAIM**

The ornamental design for a salt and pepper dispenser set, as shown and described.

DESCRIPTION

FIG. 1 is a left front isometric view of a salt and pepper dispenser set showing my new design;

FIG. 2 is a front elevation view thereof;

FIG. 3 is a rear elevation view thereof;

FIG. 4 is a top plan view thereof;

FIG. 5 is a bottom plan view thereof;

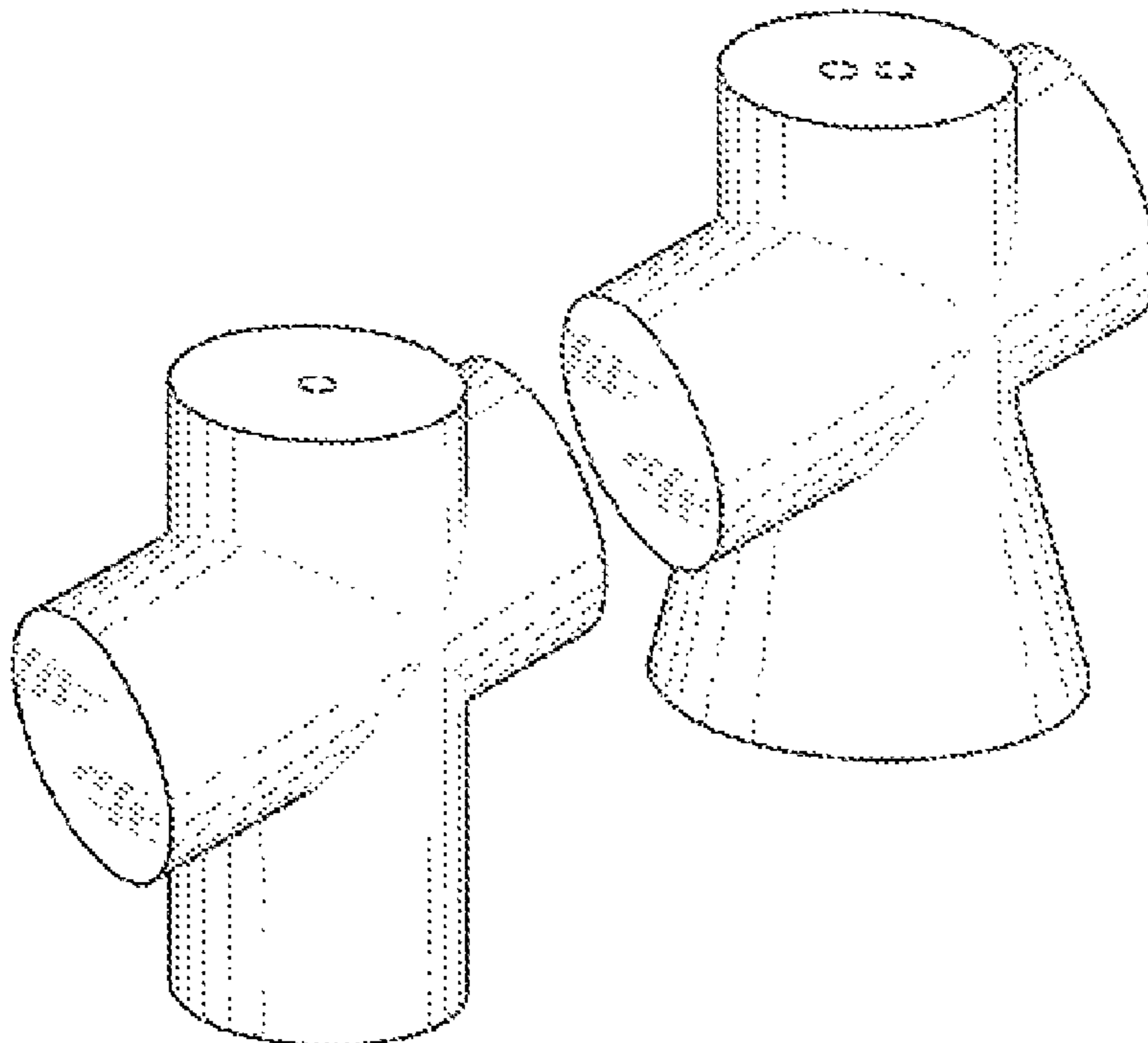
FIG. 6 is a left side elevation view of the left shaker in FIG. 2, the right side view being a mirror image of that shown;

FIG. 7 is a left side elevation view of the right shaker in FIG. 2, the right side view being a mirror image of that shown; and,

FIG. 8 is a left front isometric view of the salt and pepper dispenser set of FIG. 1, with a slight modification in the form of a generally convex upper surface having 360° symmetry, the remaining illustrated aspects of the design remaining the same.

The broken line disclosure in the views are for illustrative purposes only and form no part of the claimed design.

1 Claim, 1 Drawing Sheet



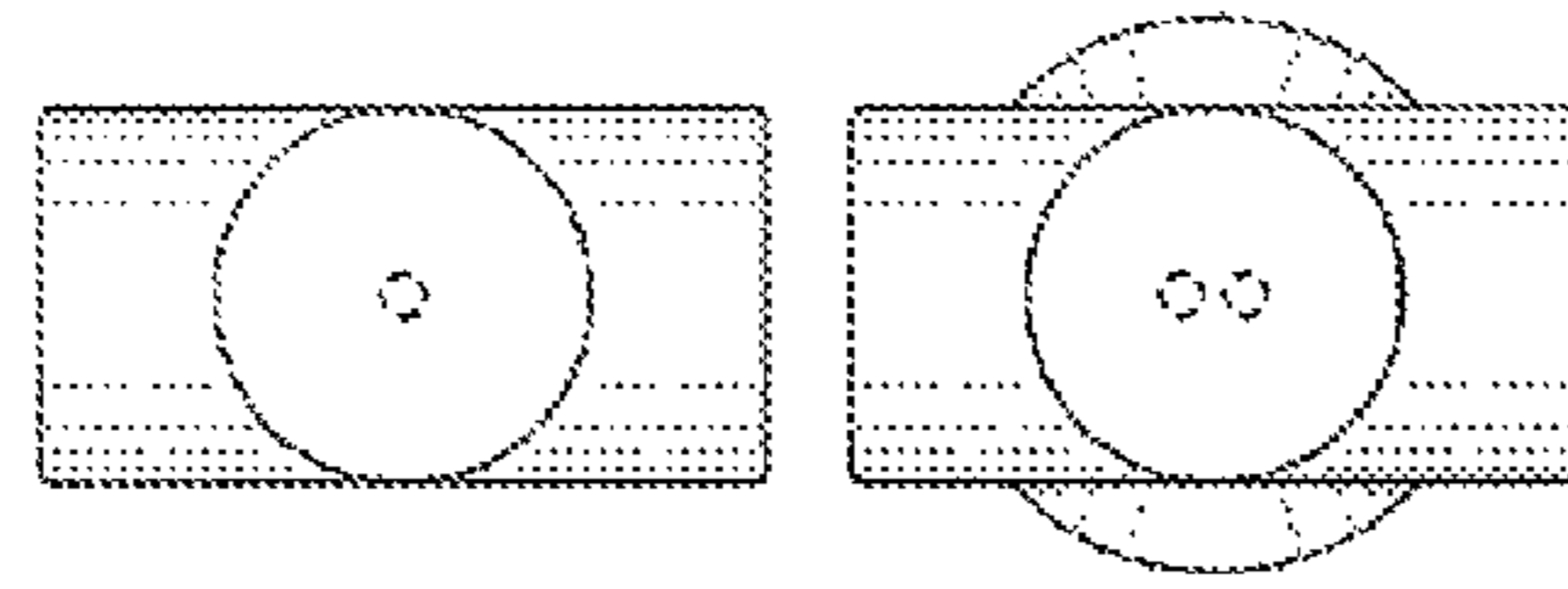


Fig.4

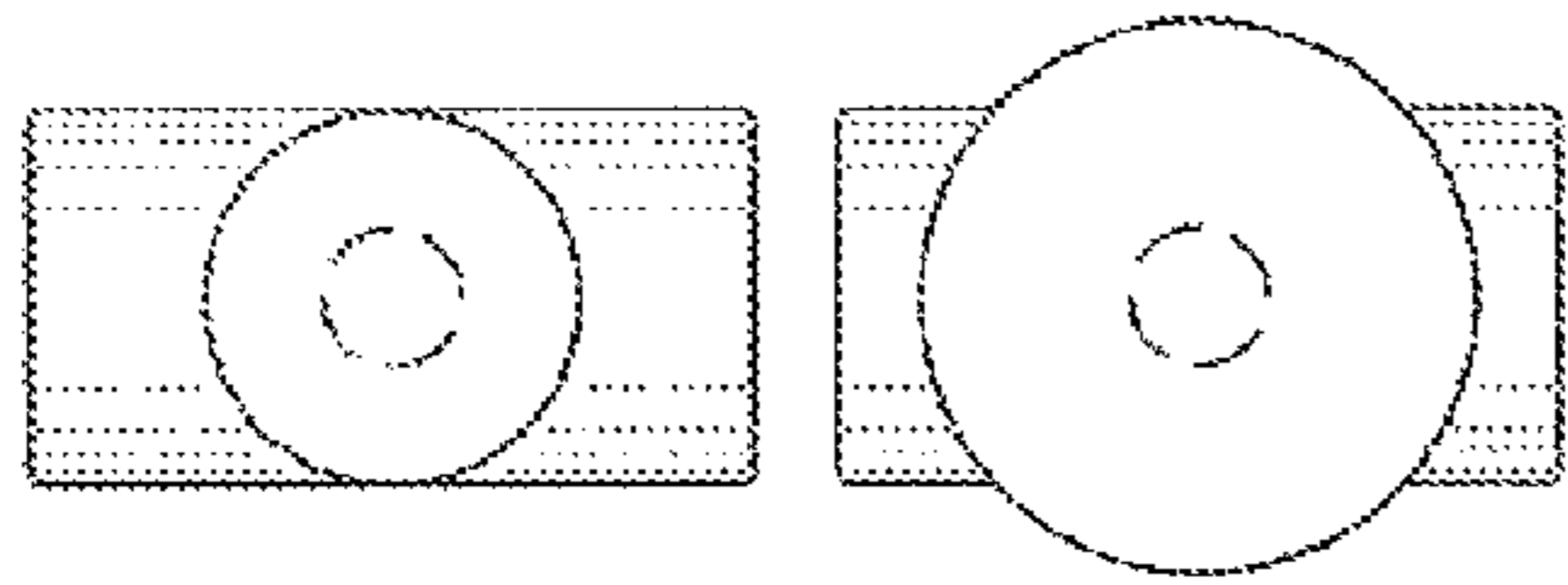


Fig.5

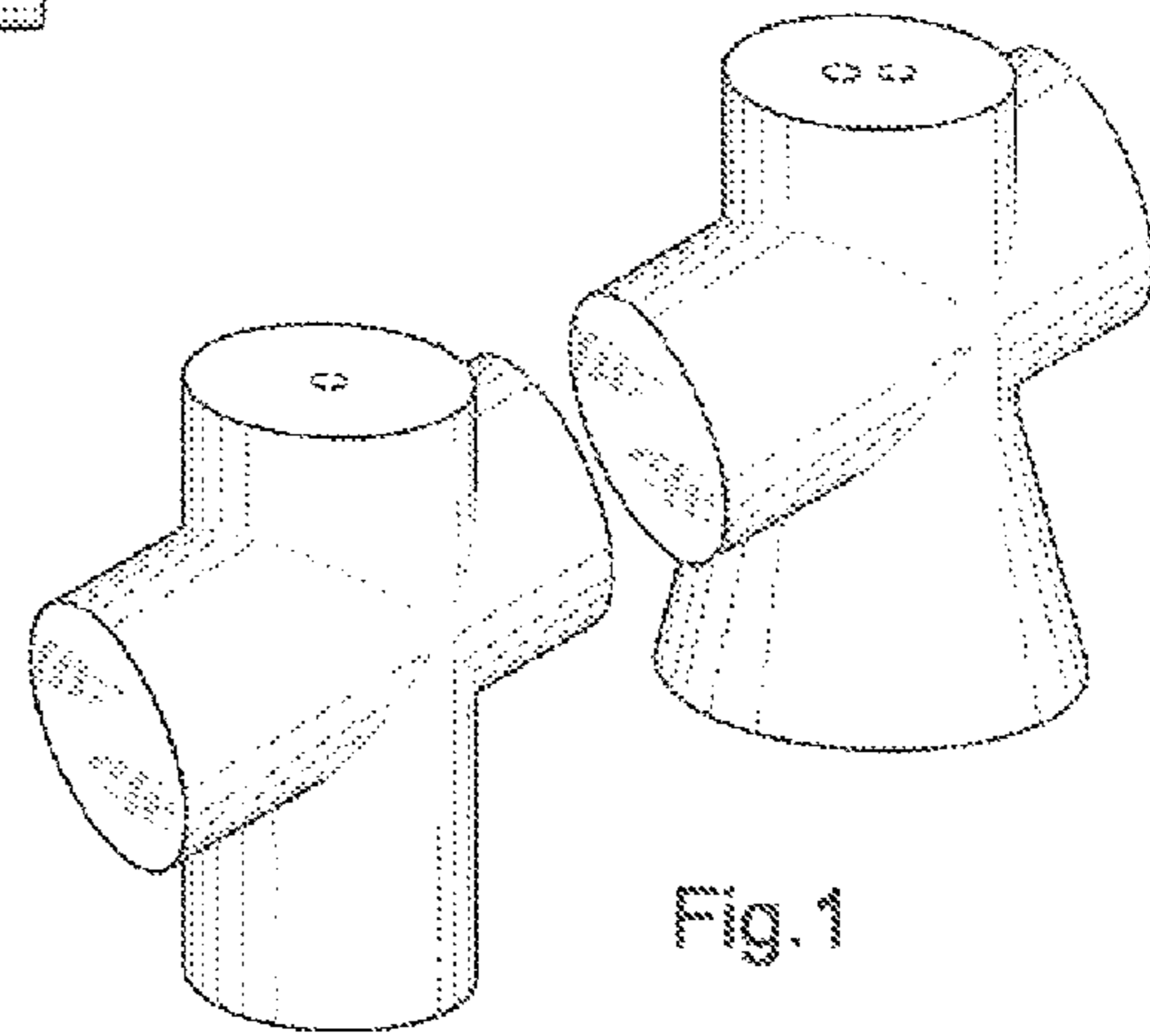


Fig.1

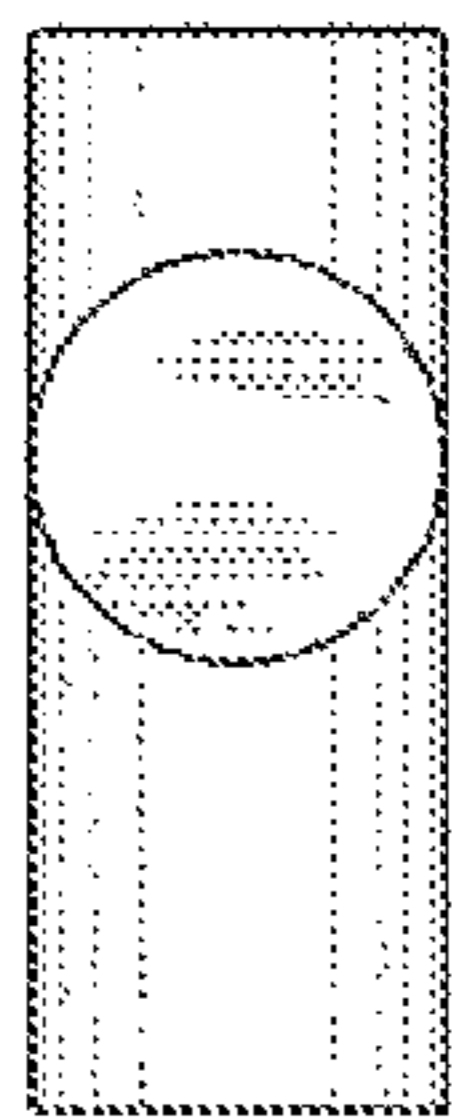


Fig.6

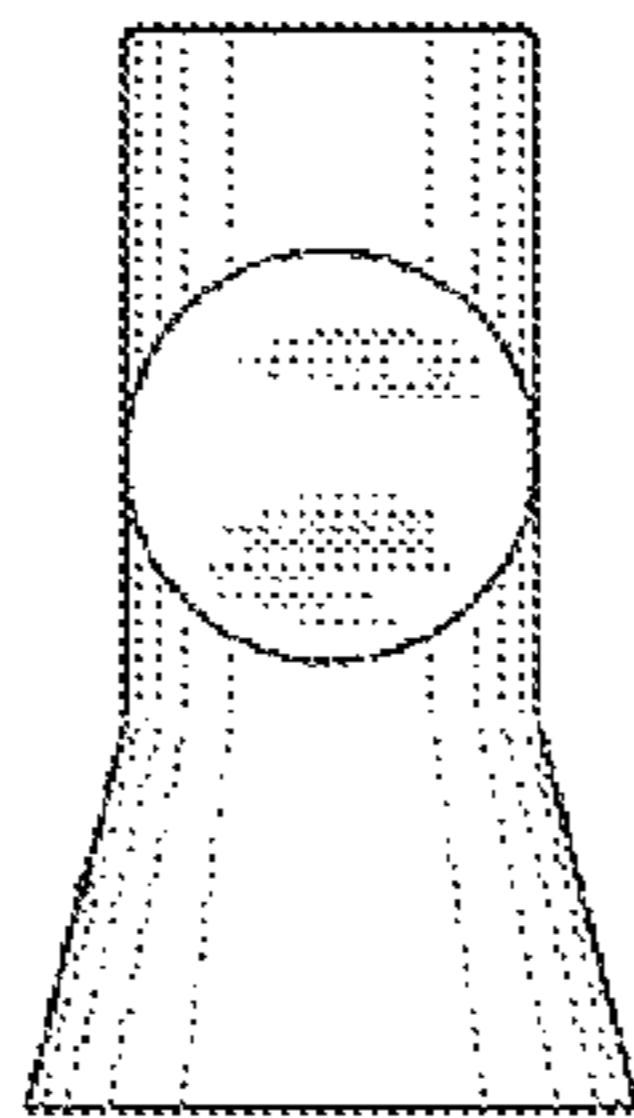


Fig.7

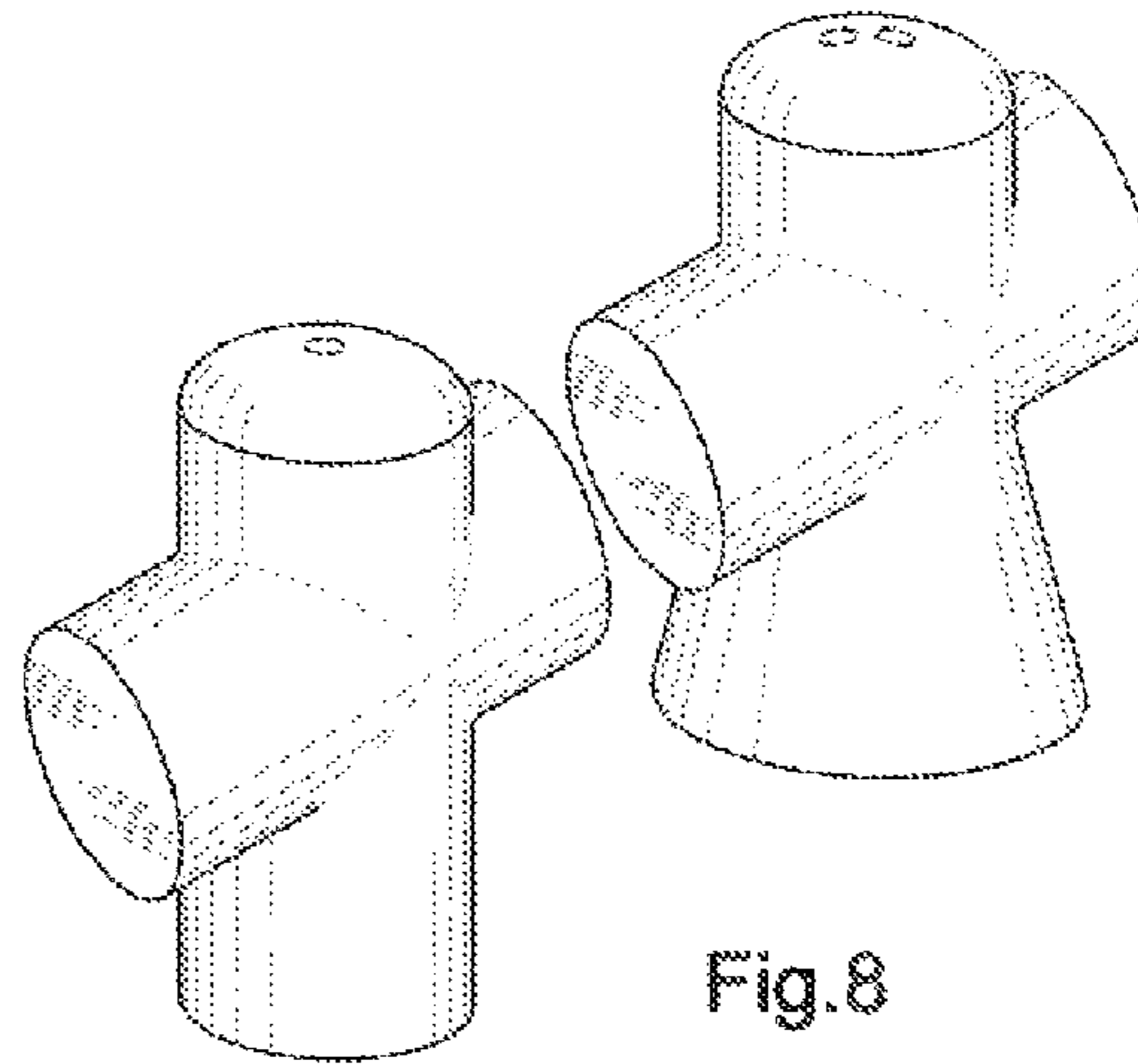


Fig.8

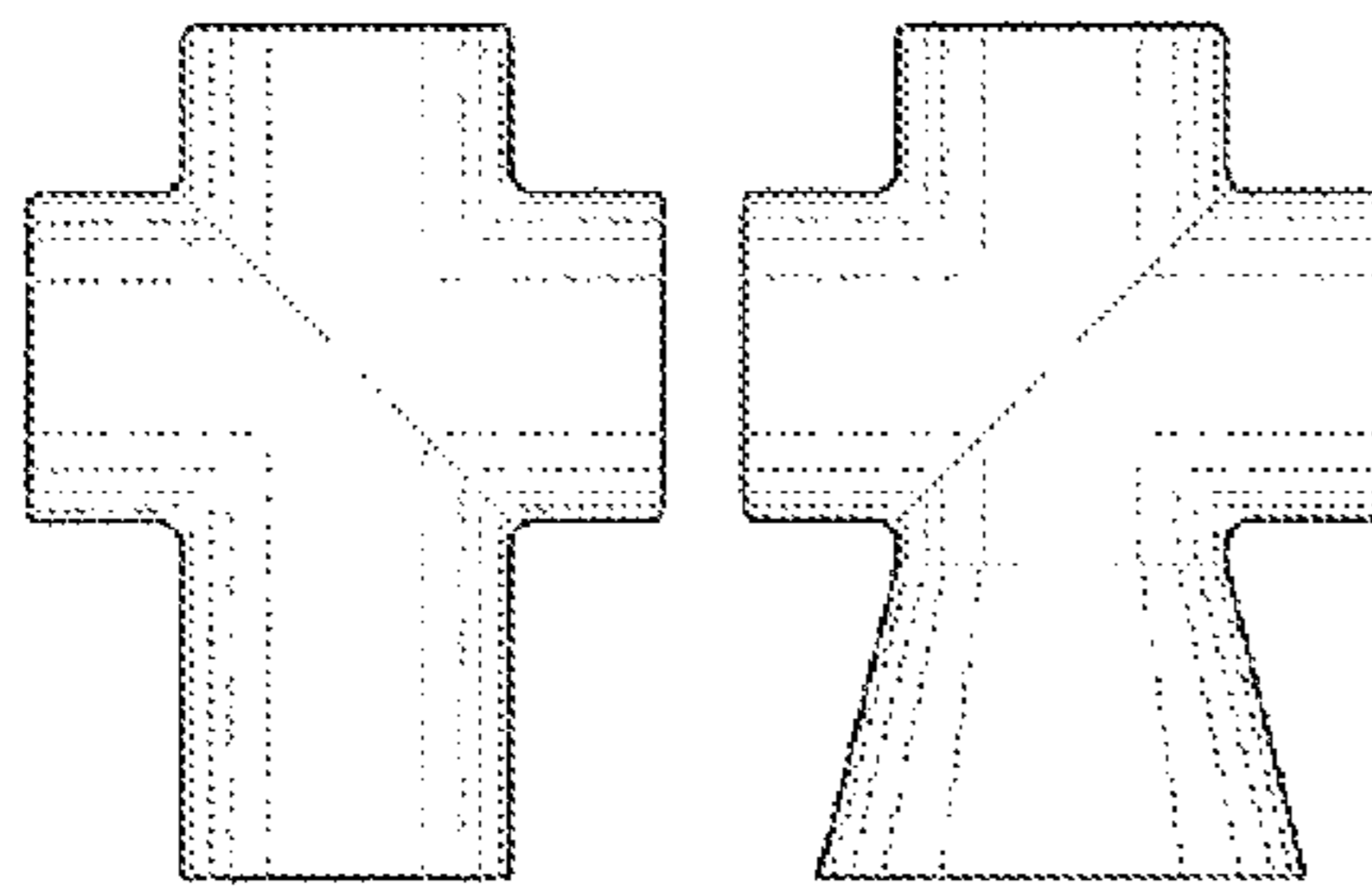


Fig.2

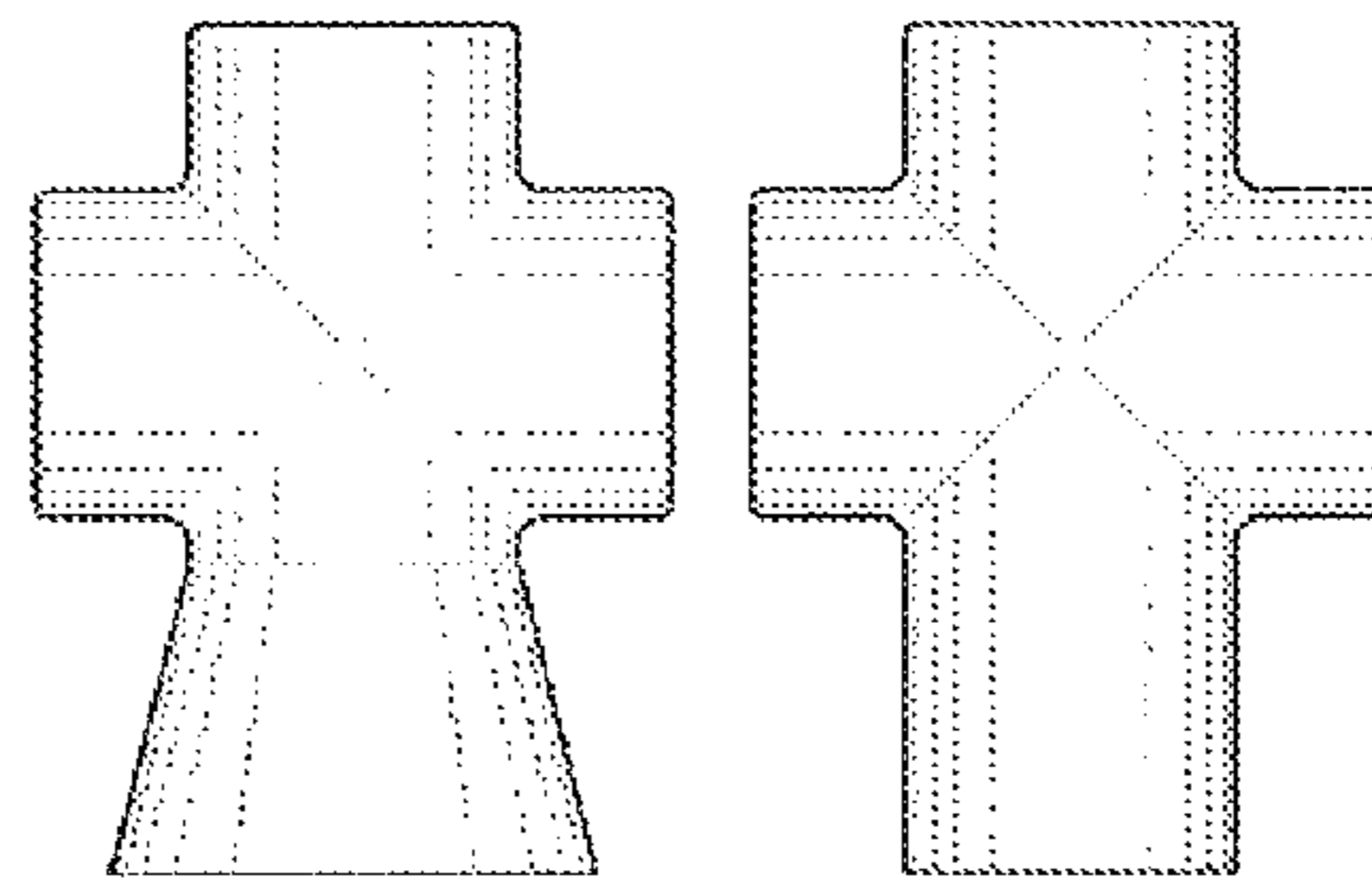


Fig.3