



US00D629256S

(12) **United States Design Patent**
Sellers

(10) **Patent No.:** **US D629,256 S**

(45) **Date of Patent:** **** Dec. 21, 2010**

(54) **STIR HOLDER ATTACHABLE TO A COFFEE POT OR HOT WATER POT**

D618,073 S * 6/2010 Stephens D7/701

* cited by examiner

(76) Inventor: **Kathleen Sellers**, 350 SE. 1st St., Delray Beach, FL (US) 33483

Primary Examiner—Terry A Wallace

(74) *Attorney, Agent, or Firm*—Malin Haley DiMaggio Bowen & Lhota, P.A.

(**) Term: **14 Years**

(21) Appl. No.: **29/356,922**

(57) **CLAIM**

(22) Filed: **Mar. 4, 2010**

The ornamental design for a stir holder attachable to a coffee pot or hot water pot, as shown and described.

(51) **LOC (9) Cl.** **07-06**

(52) **U.S. Cl.** **D7/590**

(58) **Field of Classification Search** D7/590,
D7/600.1–600.4, 619.1–625; D6/552, 553,
D6/512–514, 524, 525, 566, 570, 567; 211/70.7,
211/70.6, 71.01, 86.01, 90.01, 13.1, 106,
211/134, 90.03, 126.1; 248/311.2, 309.1
See application file for complete search history.

DESCRIPTION

FIG. 1 is a perspective view of the present invention, showing the stir holder attachable to a coffee pot or hot water pot of the new design;

FIG. 2 is a right side elevational view thereof; the left side is a minor image;

FIG. 3 is a front elevational view thereof;

FIG. 4 is a rear elevational view thereof

FIG. 5 is a top plan view thereof; and,

FIG. 6 is a rear plan view thereof.

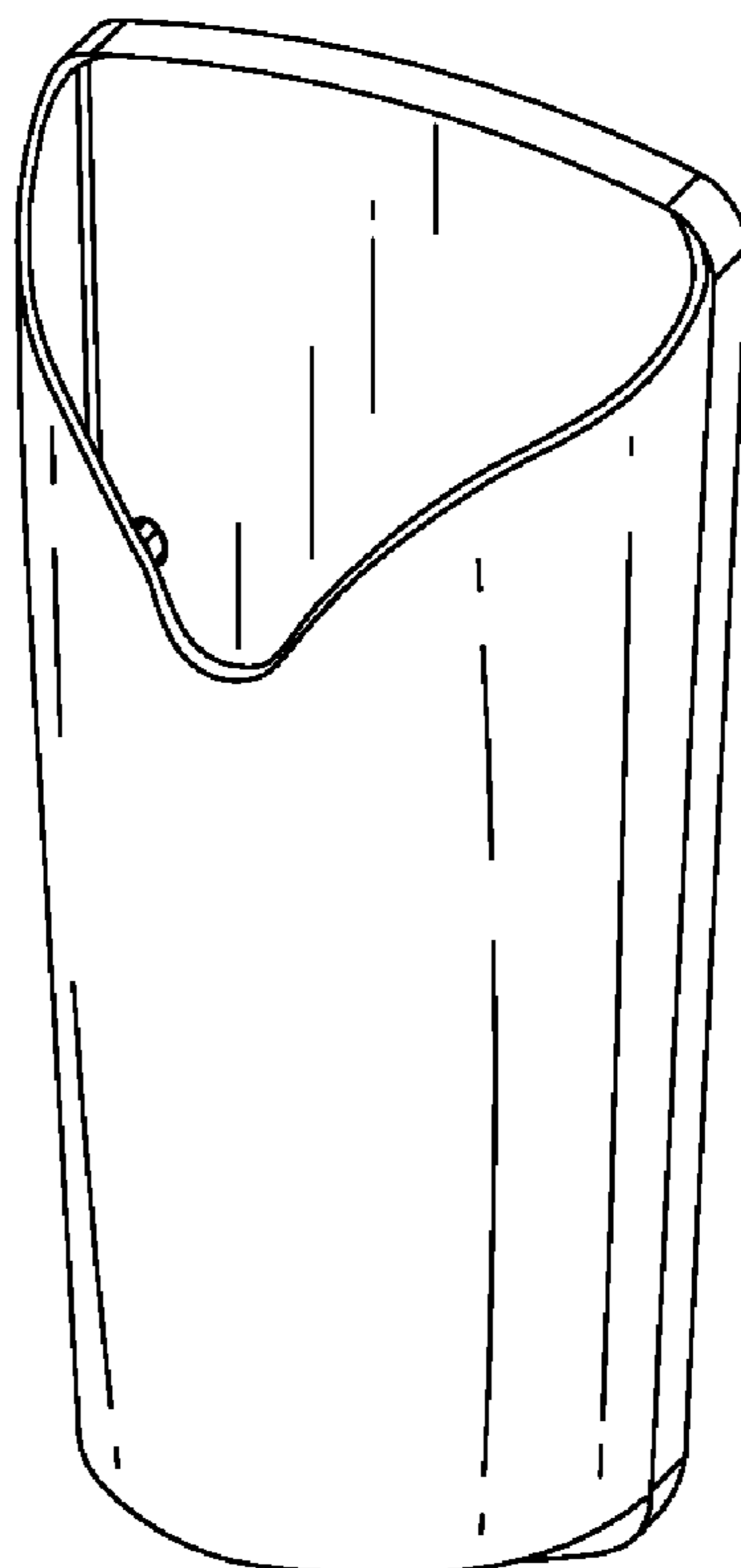
The broken lines are for illustrative purposes only and form no part of the claimed design.

(56) **References Cited**

U.S. PATENT DOCUMENTS

D407,252 S	*	3/1999	Hampshire	D6/540
D425,746 S	*	5/2000	Jones	D6/567
D458,499 S	*	6/2002	Cone et al.	D6/553
D532,639 S	*	11/2006	Snell	D6/567
D551,008 S	*	9/2007	Hidalgo	D6/567
D585,224 S	*	1/2009	Hwang	D6/553

1 Claim, 3 Drawing Sheets



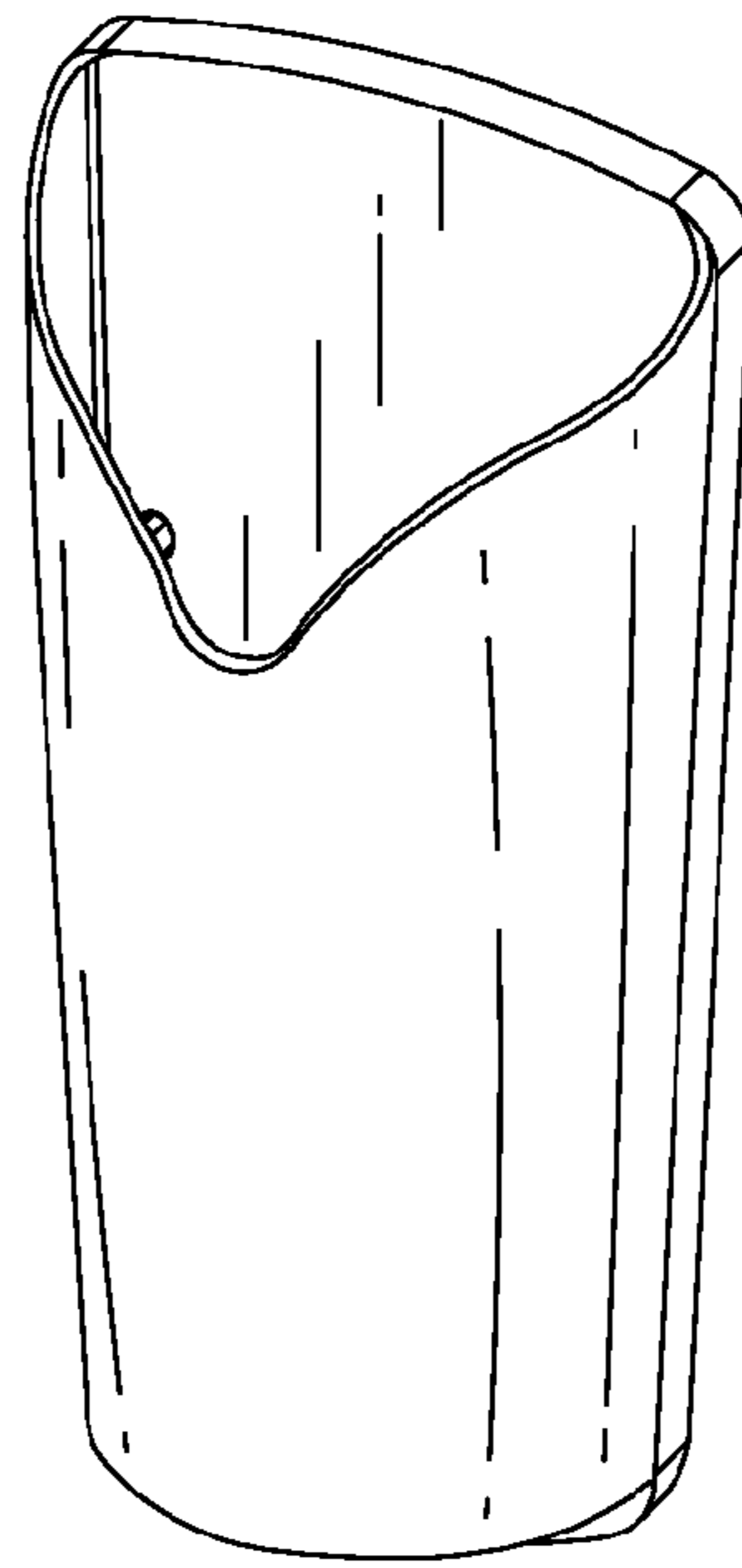


FIG. 1



FIG. 2

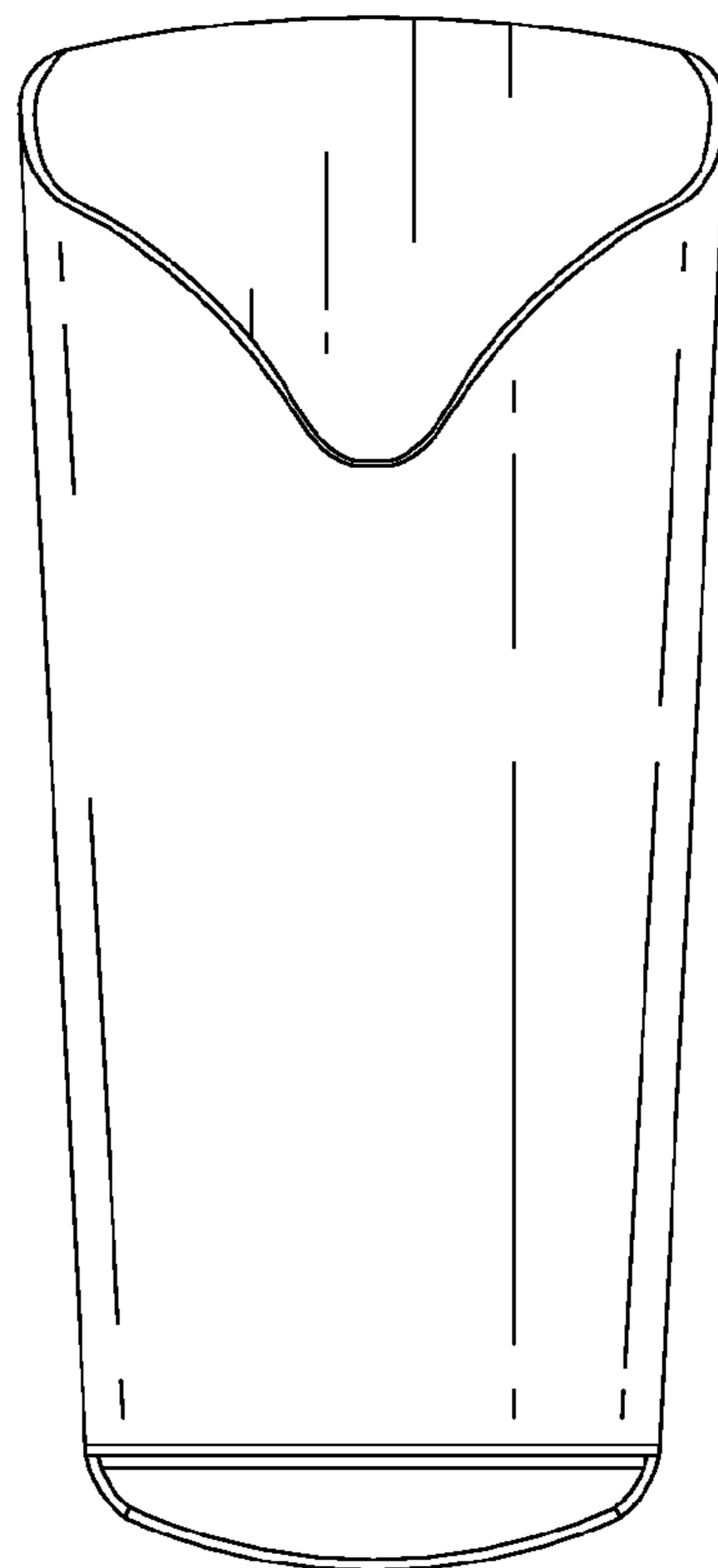


FIG. 3

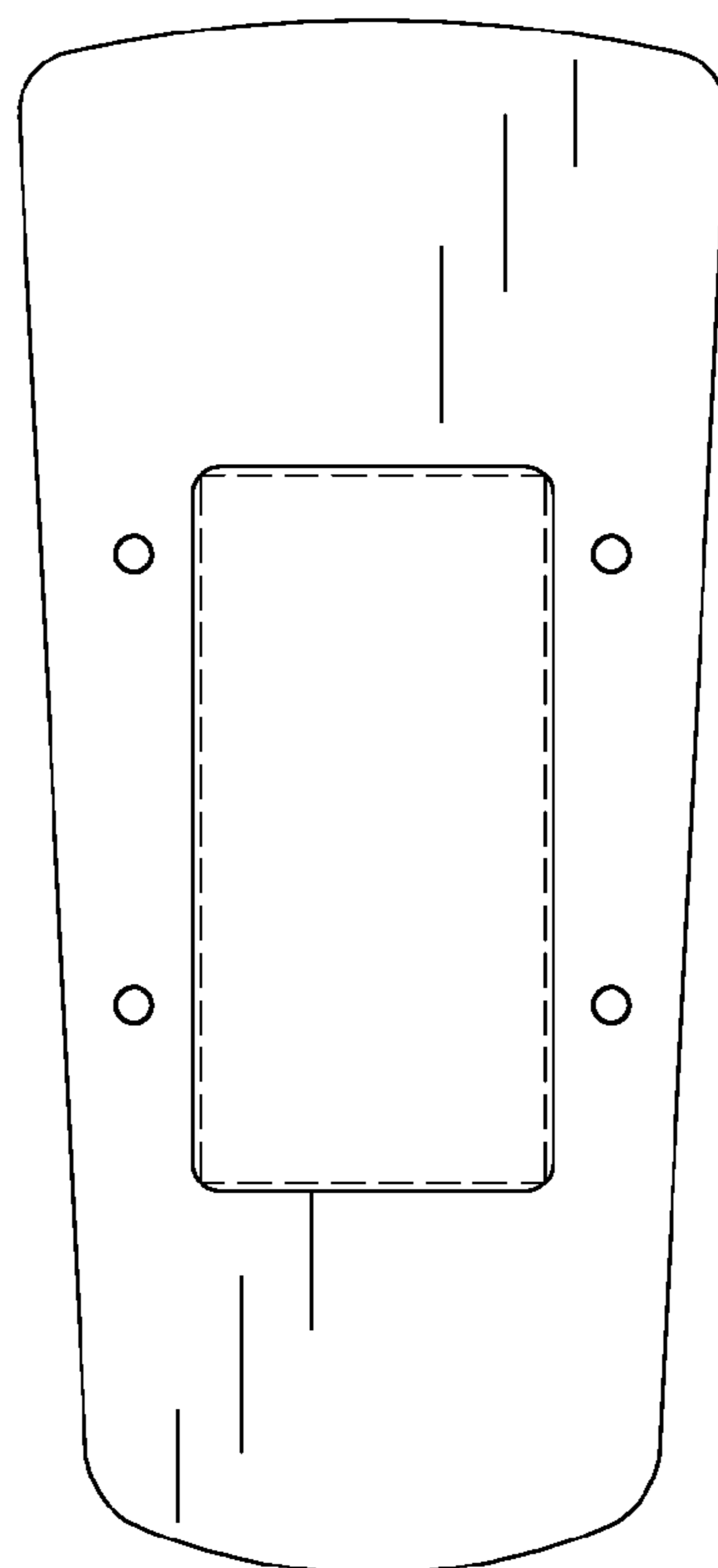


FIG. 4

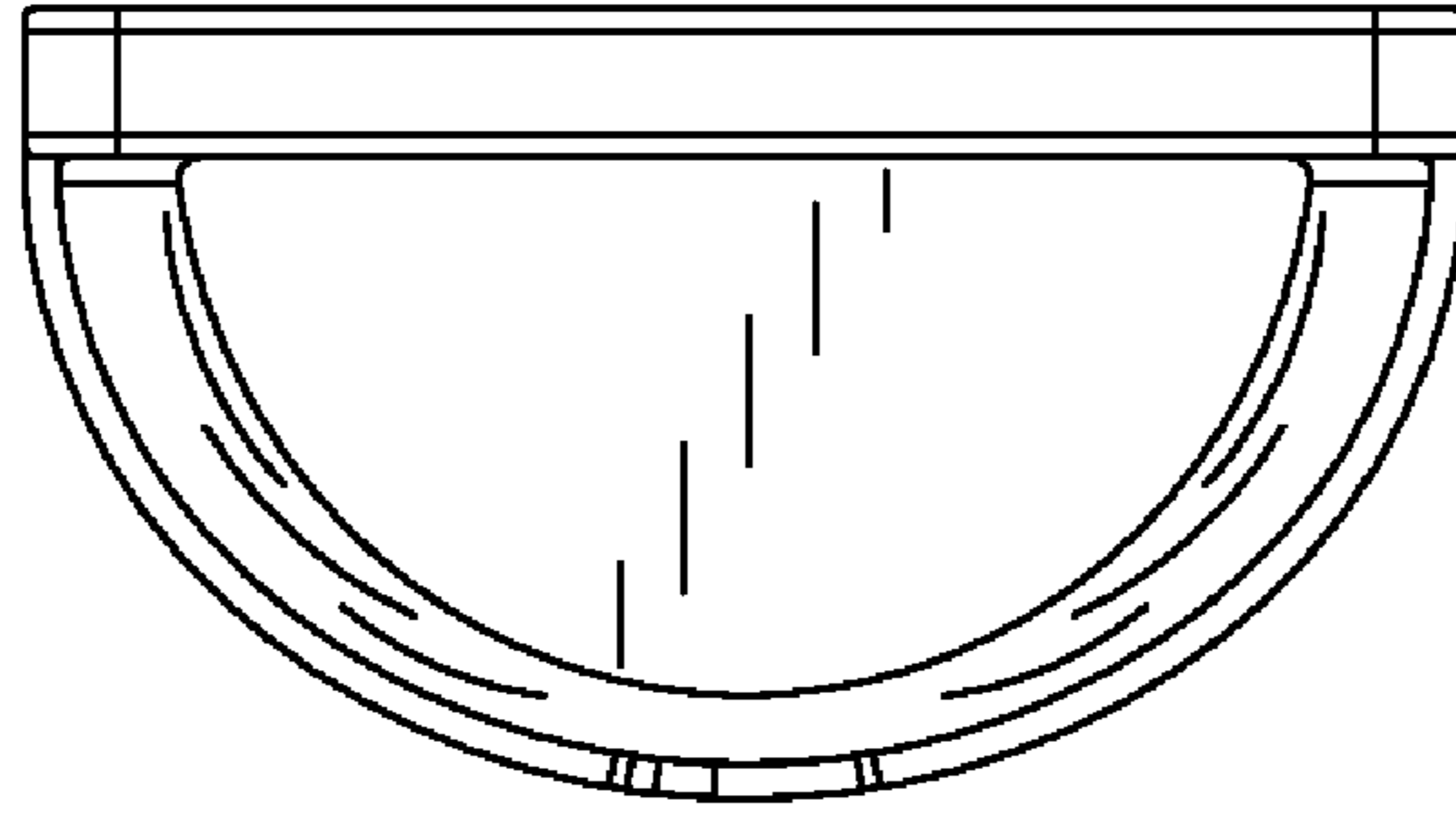


FIG. 5

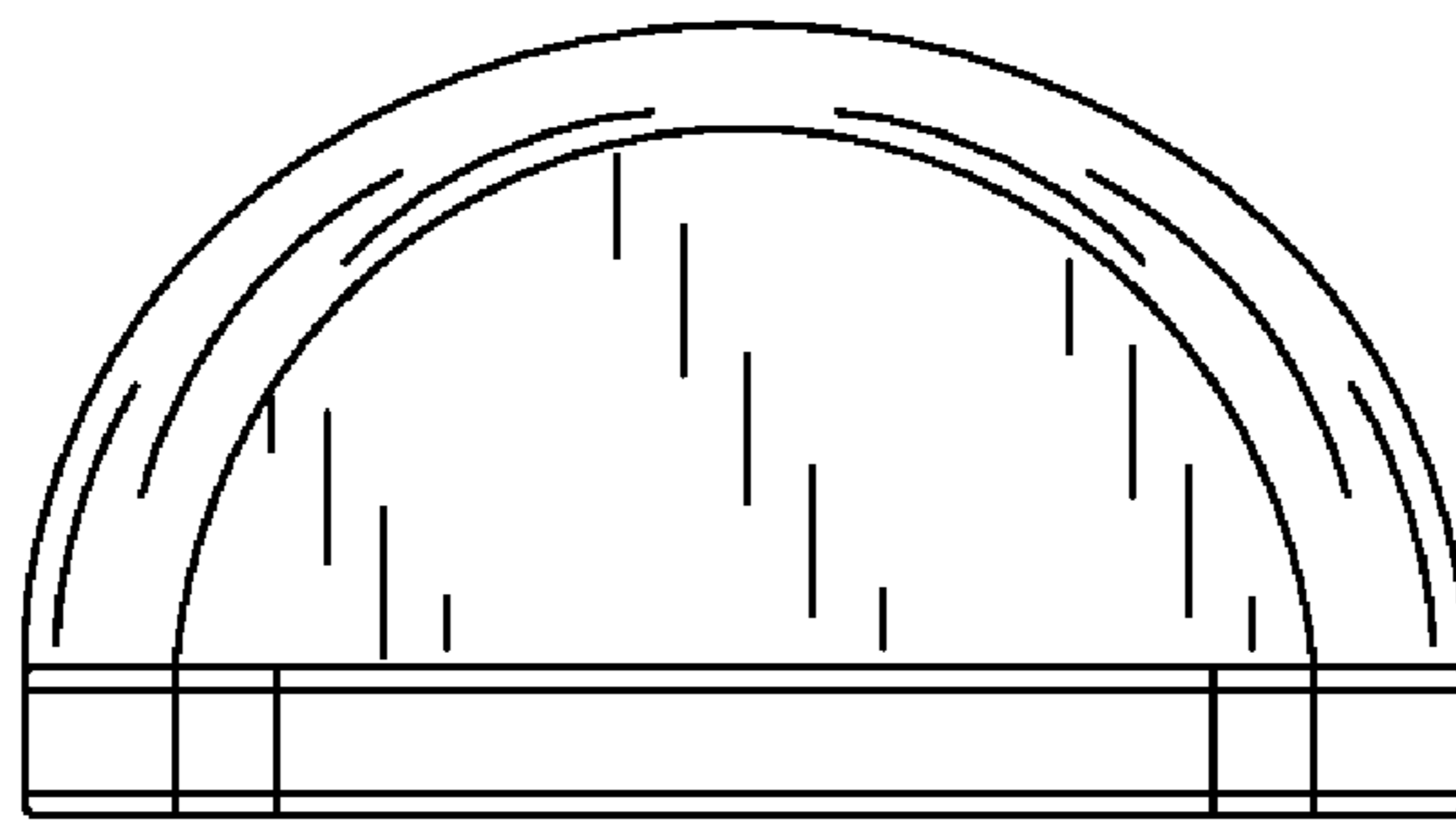


FIG. 6