



US00D629255S

(12) **United States Design Patent**  
**Sellers**

(10) **Patent No.:** **US D629,255 S**

(45) **Date of Patent:** **\*\* Dec. 21, 2010**

(54) **FILTER HOLDER ATTACHABLE TO A  
COFFEE POT OR HOT WATER POT**

D618,073 S \* 6/2010 Stephens ..... D7/701

\* cited by examiner

(76) Inventor: **Kathleen Sellers**, 350 SE. 1st St., Delray  
Beach, FL (US) 33483

*Primary Examiner*—Terry A Wallace

(74) *Attorney, Agent, or Firm*—Malin Haley DiMaggio  
Bowen & Lhota, P.A.

(\*\*) Term: **14 Years**

(21) Appl. No.: **29/356,920**

(57) **CLAIM**

(22) Filed: **Mar. 4, 2010**

The ornamental design for a filter holder attachable to a coffee  
pot or hot water pot, as shown and described.

(51) **LOC (9) Cl.** ..... **07-06**

(52) **U.S. Cl.** ..... **D7/590**

(58) **Field of Classification Search** ..... D7/590,  
D7/600.1–600.4, 619.1–625; D6/552, 553,  
D6/512–514, 524, 525, 566, 570, 567; 211/70.7,  
211/70.6, 71.01, 86.01, 90.01, 13.1, 106,  
211/134, 90.03, 126.1; 248/311.2, 309.1  
See application file for complete search history.

**DESCRIPTION**

FIG. 1 is a perspective view of the present invention, showing  
the filter holder attachable to a coffee pot or hot water pot of  
the new design;

FIG. 2 is a right side elevational view thereof; the left side is  
a mirror image;

FIG. 3 is a front elevational view thereof;

FIG. 4 is a rear elevational view thereof;

FIG. 5 is a top plan view thereof; and,

FIG. 6 is a bottom plan view thereof.

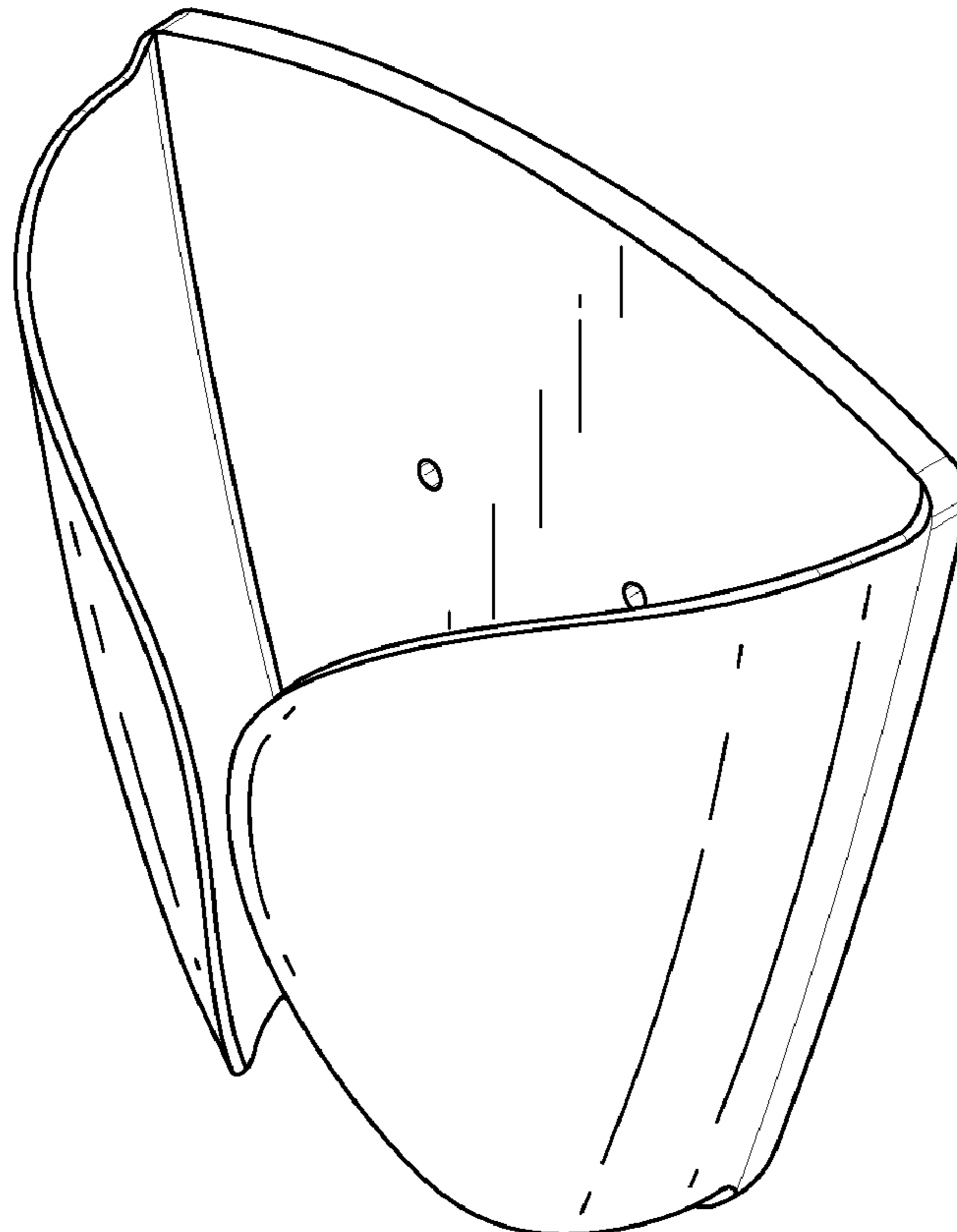
The broken lines are for illustrative purposes only and form  
no part of the claimed design.

(56) **References Cited**

**U.S. PATENT DOCUMENTS**

D407,252 S *	3/1999	Hampshire	.....	D6/540
D425,746 S *	5/2000	Jones	.....	D6/567
D458,499 S *	6/2002	Cone et al.	.....	D6/553
D532,639 S *	11/2006	Snell	.....	D6/567
D551,008 S *	9/2007	Hidalgo	.....	D6/567
D585,224 S *	1/2009	Hwang	.....	D6/553

**1 Claim, 3 Drawing Sheets**



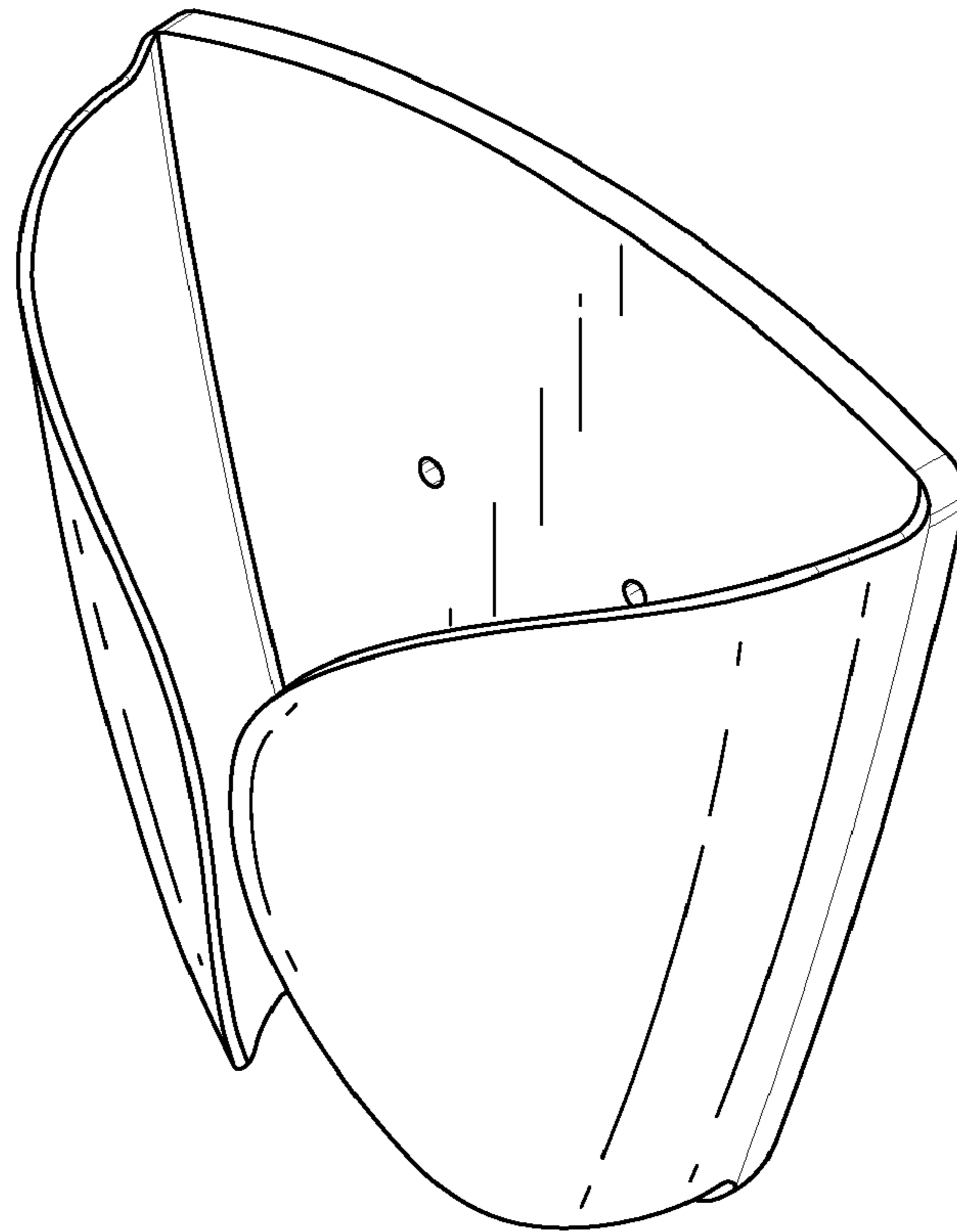


FIG. 1

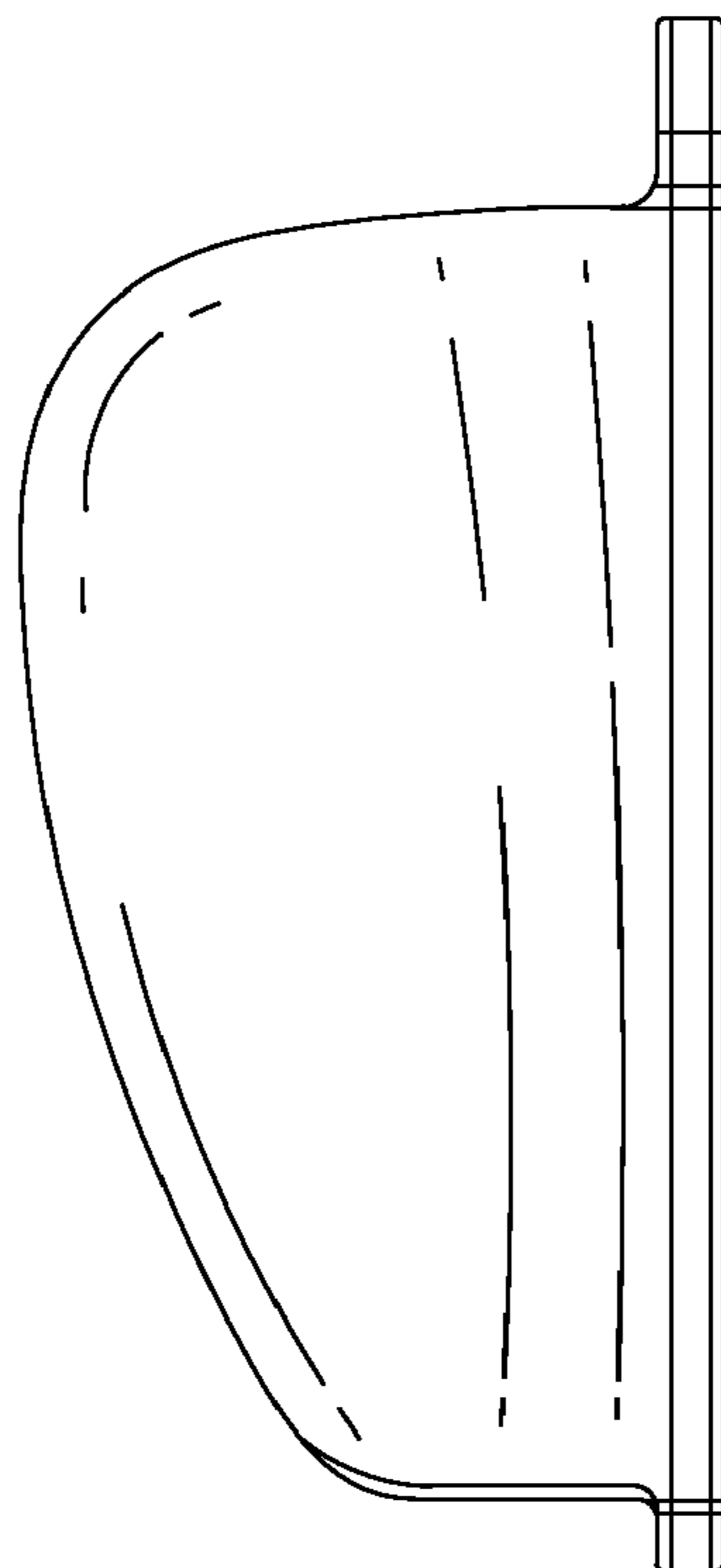


FIG. 2

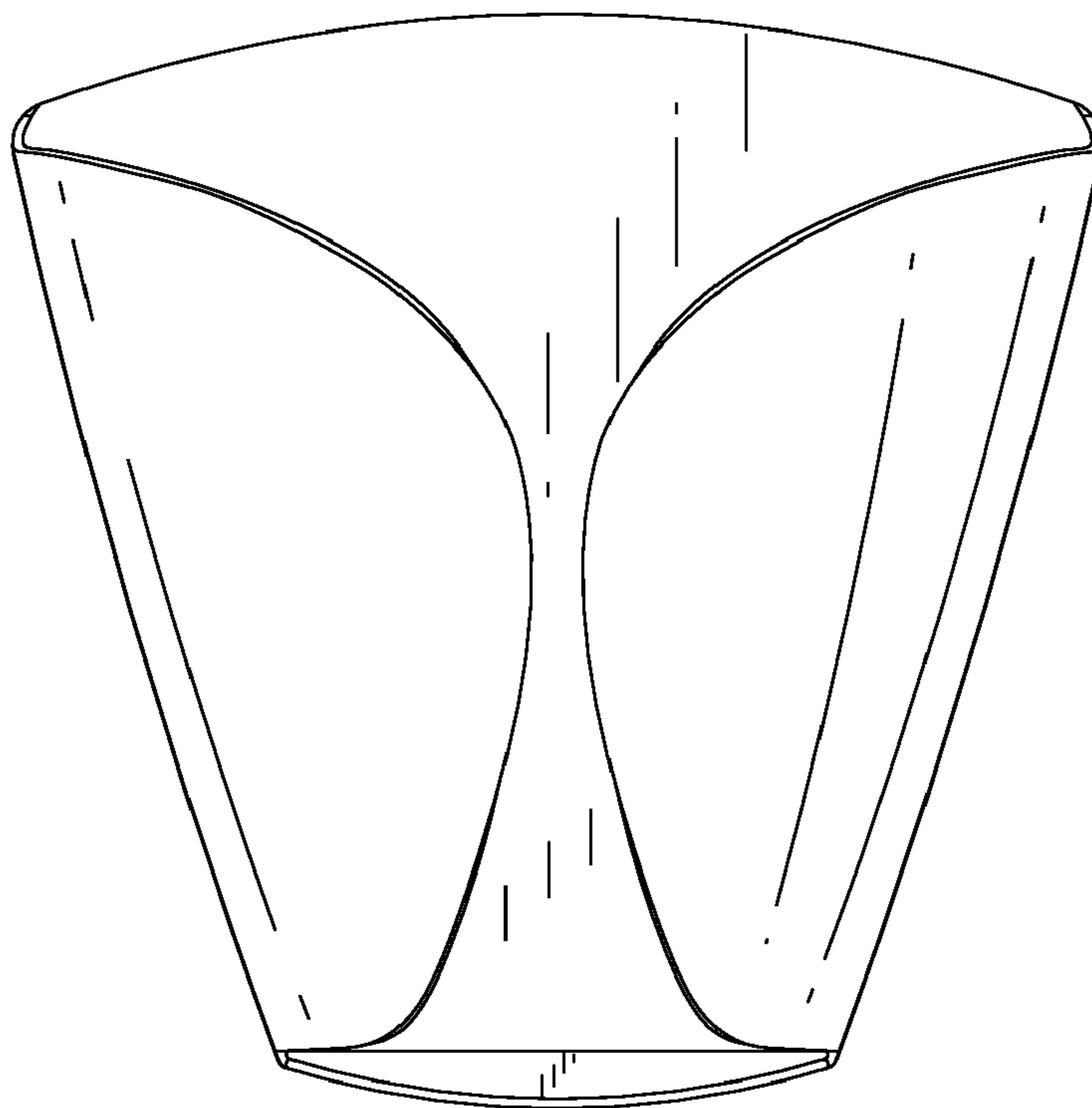


FIG. 3

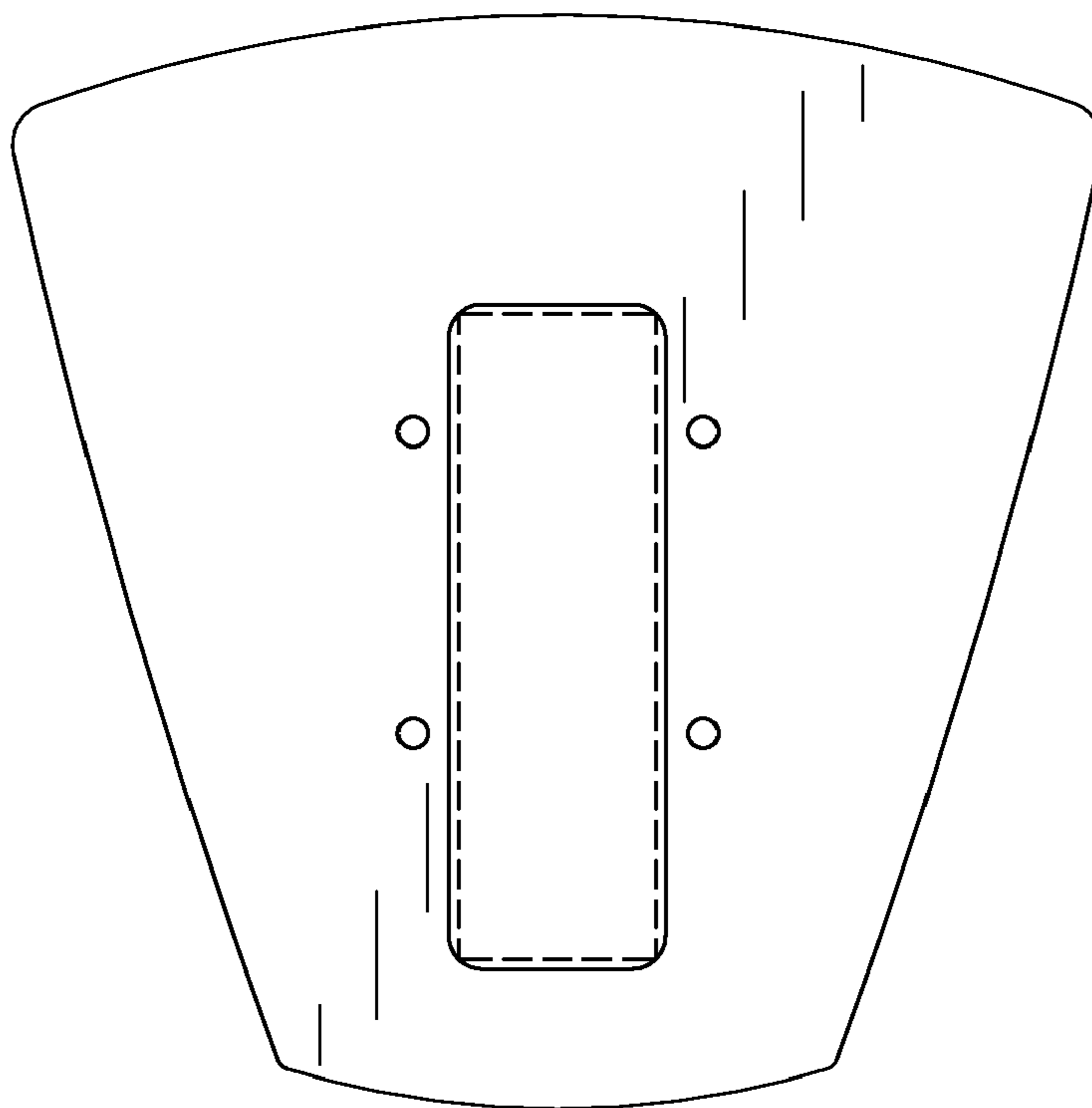


FIG. 4

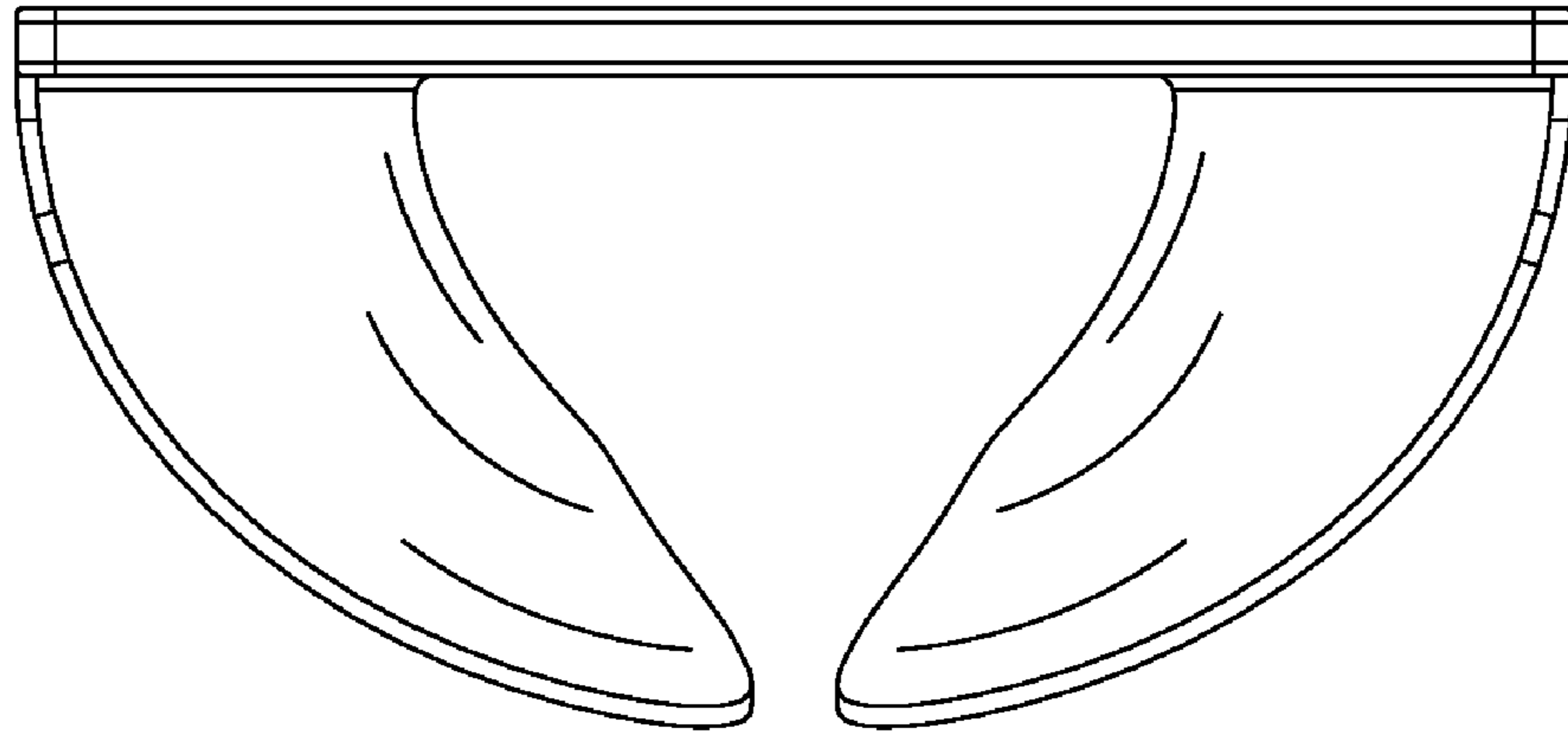


FIG. 5

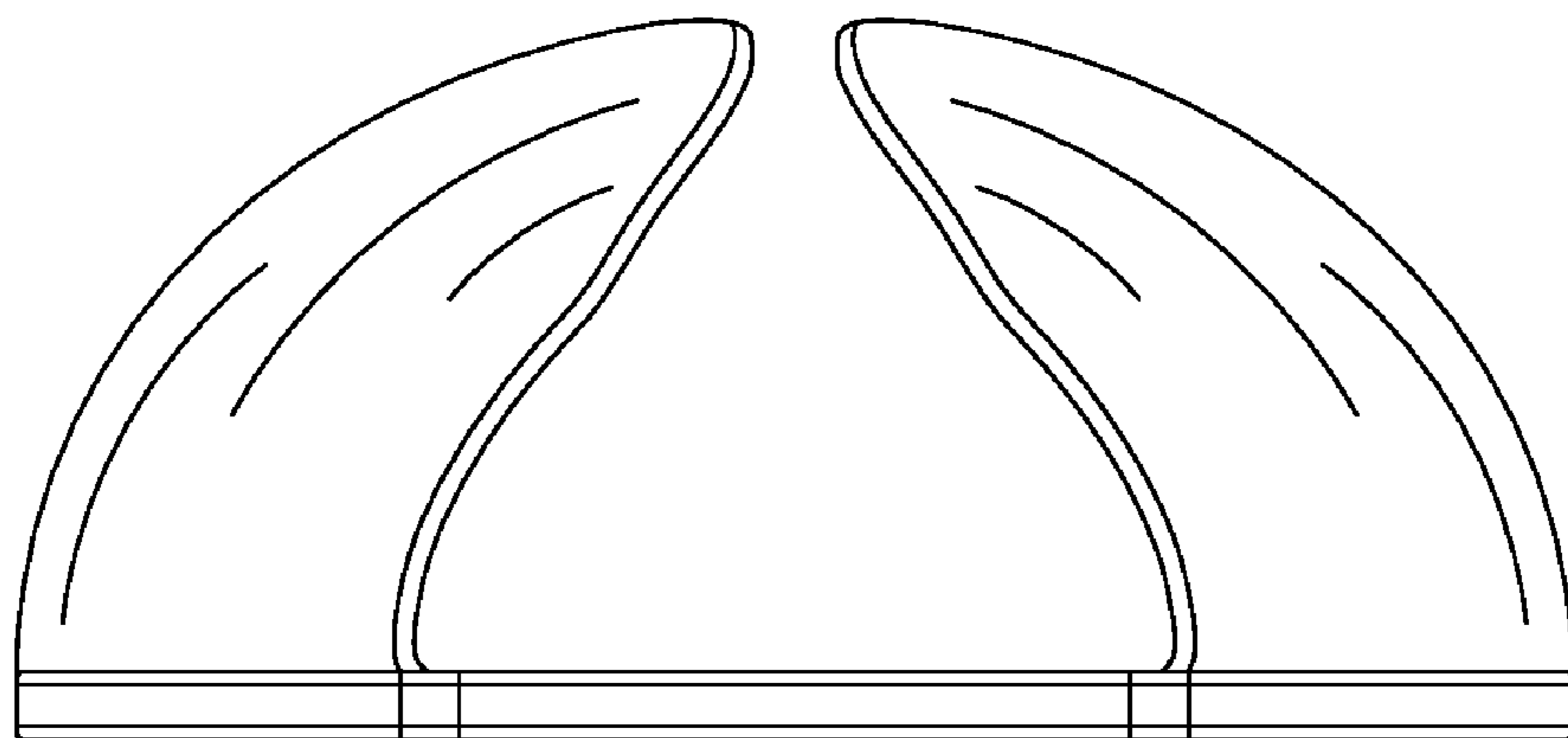


FIG. 6