



US00D629248S

(12) **United States Design Patent**
Allard

(10) **Patent No.:** **US D629,248 S**

(45) **Date of Patent:** **** Dec. 21, 2010**

(54) **SPILL TRAY FOR A HOME BREWING MACHINE**

Primary Examiner—Marianne Pandozzi

(74) *Attorney, Agent, or Firm*—Gary E. Lambert; Lambert and Associates

(76) Inventor: **Sandy Allard**, 13 Columbia Dr., Unit 6, Amherst, NH (US) 03031

(57) **CLAIM**

(**) Term: **14 Years**

The ornamental design for a spill tray for a home brewing machine, as shown and described.

(21) Appl. No.: **29/348,748**

(22) Filed: **Feb. 4, 2010**

DESCRIPTION

(51) **LOC (9) Cl.** **07-99**

(52) **U.S. Cl.** **D7/399; D7/397**

(58) **Field of Classification Search** D7/397,
D7/624.1, 311, 399; 141/363; 222/183;
220/573, 700

See application file for complete search history.

FIG. 1 is a perspective view of a spill tray for a home brewing machine with tapered spill grooves that filter down the drain hole in the middle of the tray showing my new design;

FIG. 2 is a top view of the spill tray illustrating the features of the tapered spill grooves that filter down to the drain hole illustrated in the middle of the tray;

(56) **References Cited**

U.S. PATENT DOCUMENTS

2,579,065	A *	12/1951	Channell	141/86
2,601,312	A *	6/1952	McGrew	248/346.11
D178,586	S *	8/1956	Vivian	D7/701
D190,436	S *	5/1961	Marsh	D27/126
D245,384	S *	8/1977	Ashton	D7/624.1
D290,679	S *	7/1987	Thorpe	D7/397
D410,172	S *	5/1999	Lalonde	D7/397
D442,027	S *	5/2001	Peters et al.	D7/397
D502,042	S *	2/2005	Lin	D7/309
D513,572	S *	1/2006	Schaffeld et al.	D7/309
D514,369	S *	2/2006	Littmann	D7/309
D538,577	S *	3/2007	Glucksman et al.	D7/306
D565,886	S *	4/2008	Bardazzi et al.	D7/309
D612,657	S *	3/2010	Luippold et al.	D7/306

FIG. 3 is a bottom view of the spill tray illustrating a completely flat bottom, further illustrating a drain hole in the center of the spill tray;

FIG. 4 is a back side view of the elevated spill tray illustrating the side tangent points of the radius features of the design;

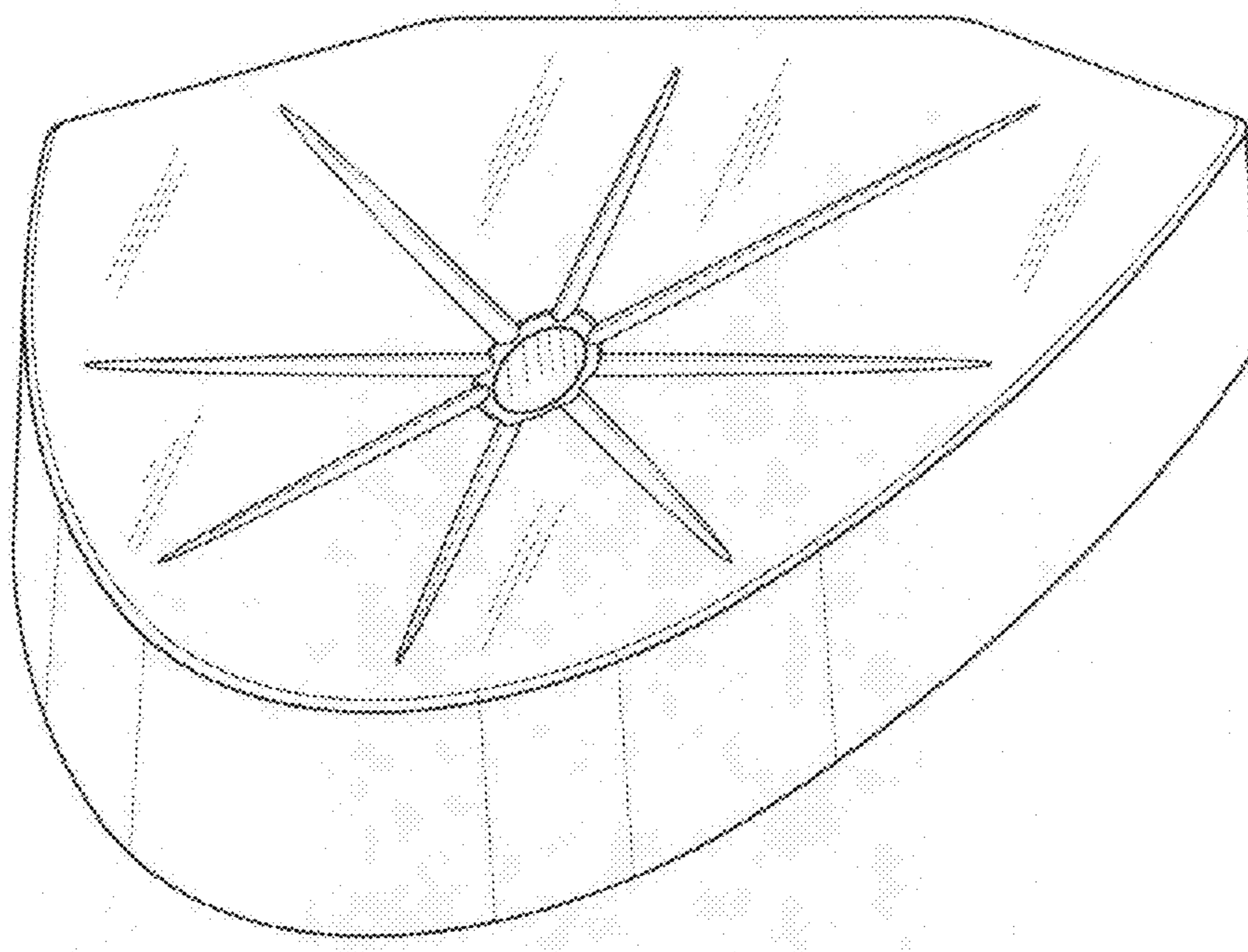
FIG. 5 is a front side view of the elevated spill tray illustrating the side tangent points of the radius features of the design that fits flush against the front of the home brewing machine;

FIG. 6 is a right back side view of the elevated spill tray illustrating the side tangent points of the radius features of the design; and,

FIG. 7 is a left back side view of the elevated spill tray illustrating the side tangent points of the radius features of the design.

* cited by examiner

1 Claim, 3 Drawing Sheets



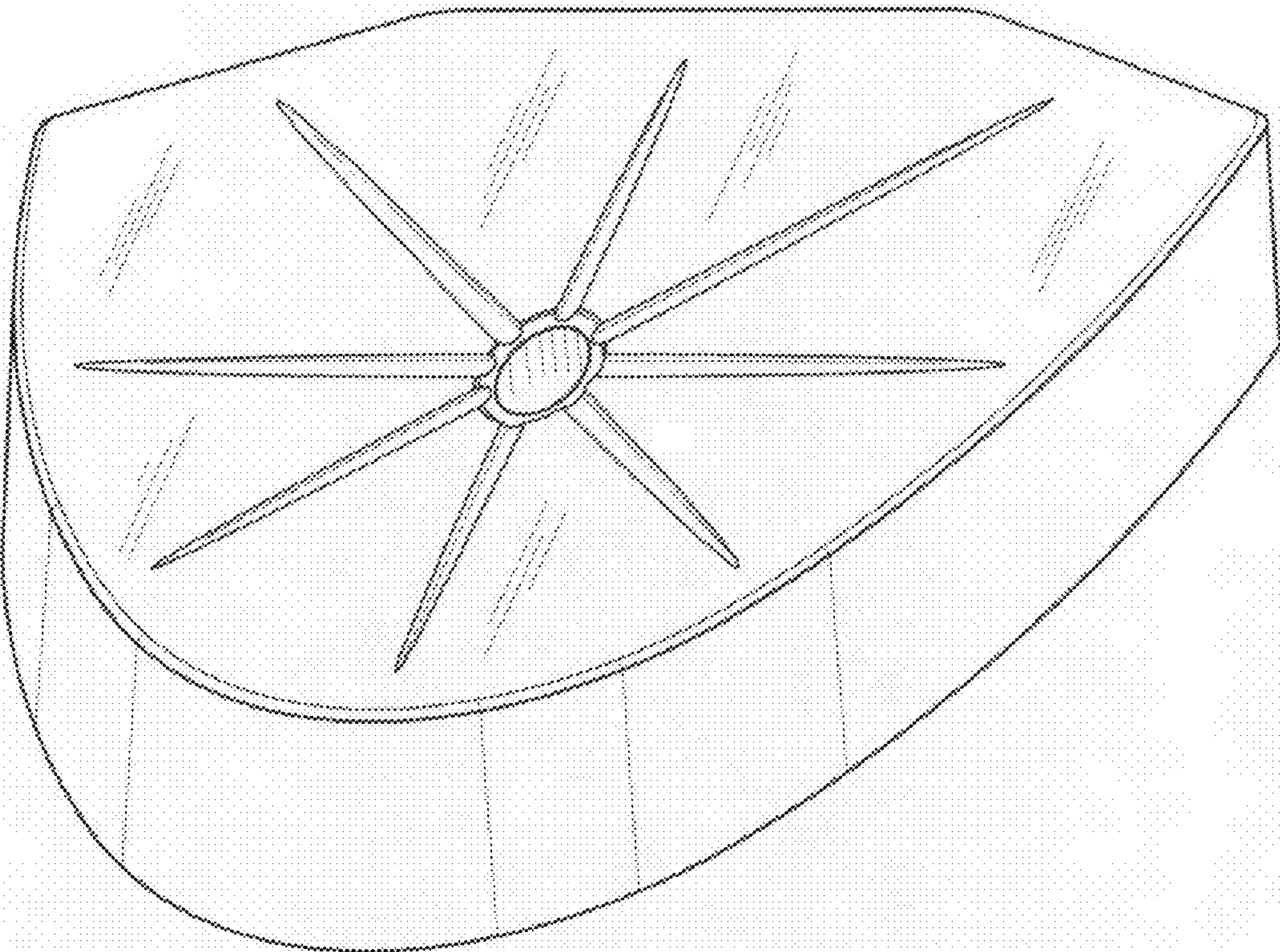


FIG. 1

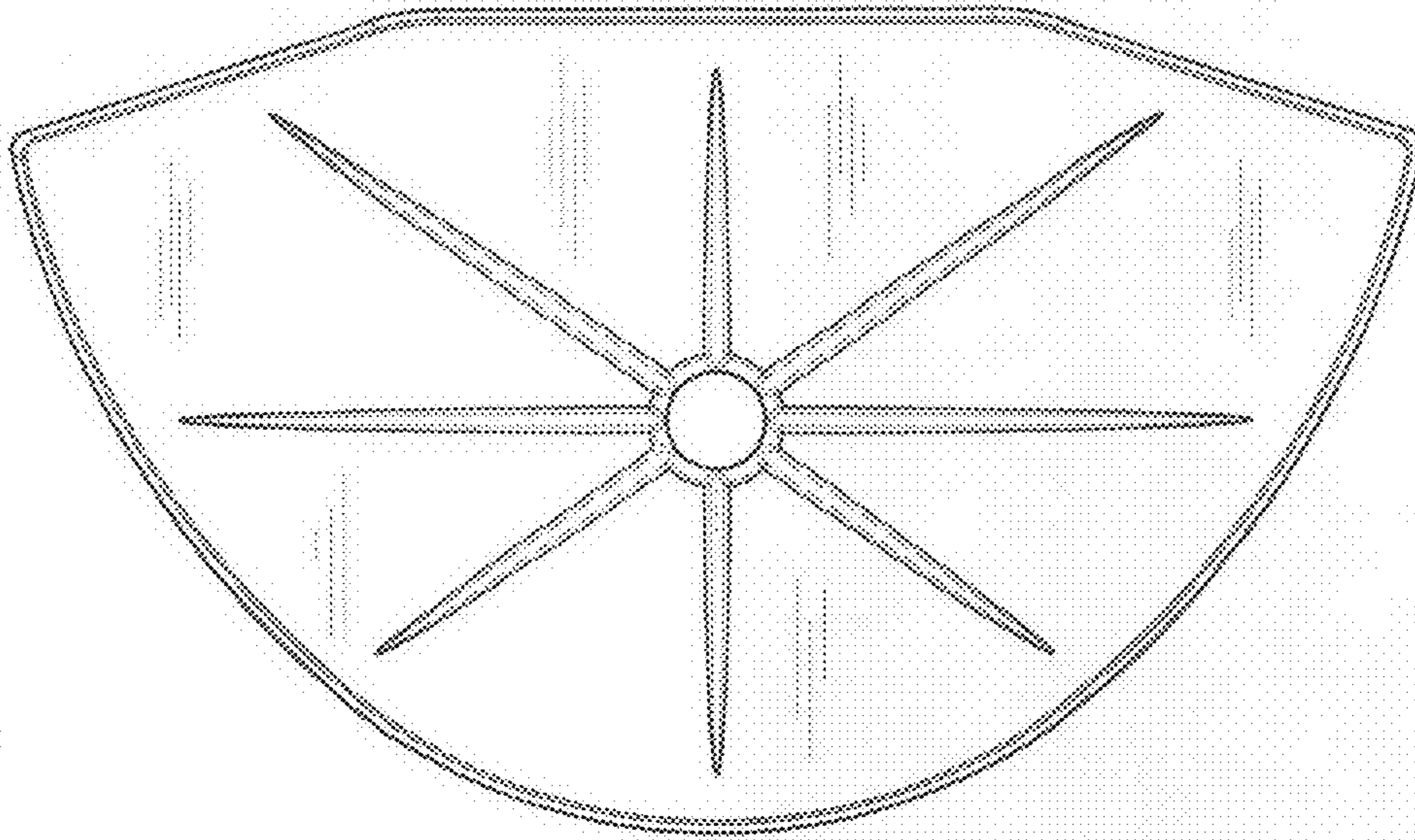


FIG. 2

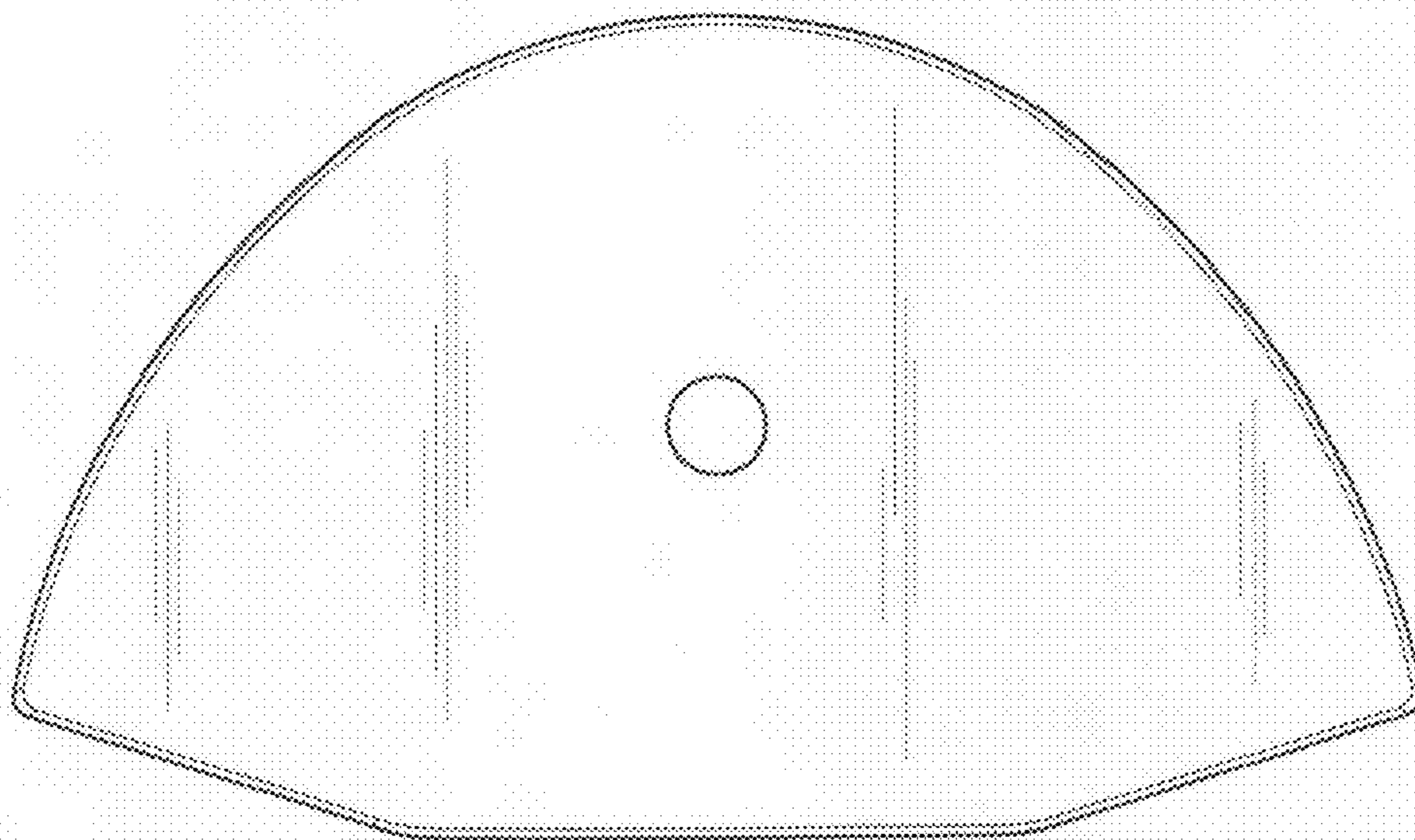


FIG. 3

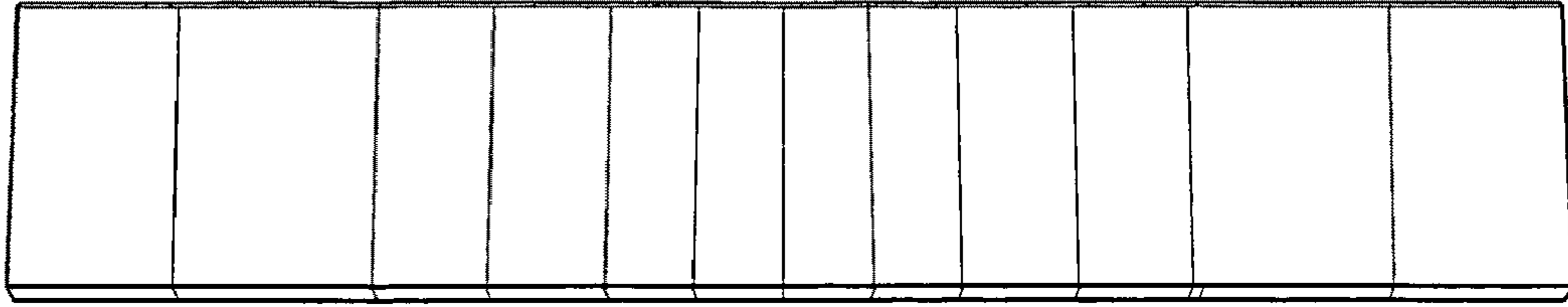


FIG. 4

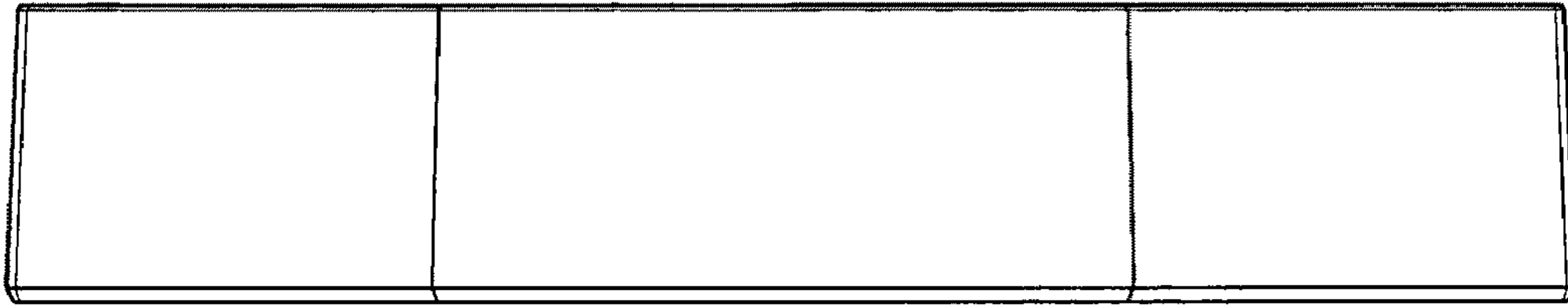


FIG. 5

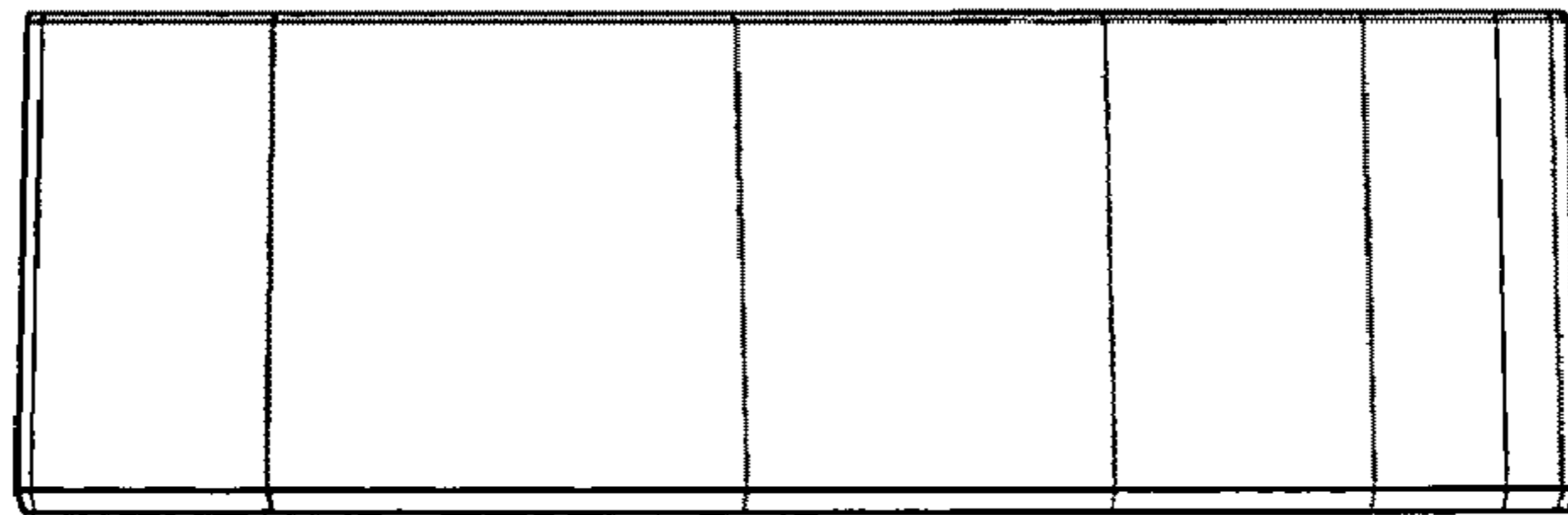


FIG. 6

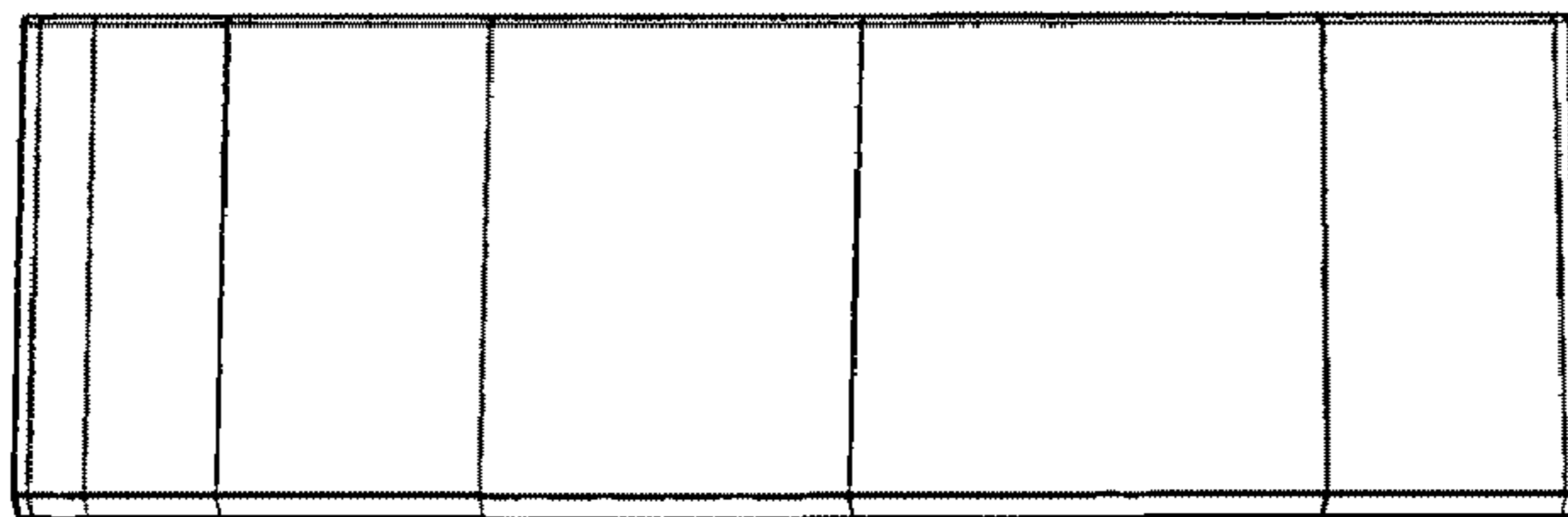


FIG. 7