



US00D629244S

(12) **United States Design Patent**
McLemore et al.

(10) **Patent No.:** **US D629,244 S**

(45) **Date of Patent:** **** *Dec. 21, 2010**

(54) **COOKING APPARATUS**

(75) Inventors: **Don McLemore**, Fortson, GA (US);
John D. McLemore, Forston, GA (US);
Brian Urquhart, Columbus, GA (US)

(73) Assignee: **Masterbuilt Manufacturing Inc.**,
Columbus, GA (US)

(**) Term: **14 Years**

(21) Appl. No.: **29/352,499**

(22) Filed: **Dec. 22, 2009**

(51) **LOC (9) Cl.** **07-02**

(52) **U.S. Cl.** **D7/332**

(58) **Field of Classification Search** D7/332,
D7/334-336, 402-404, 408; 126/25 R, 25 A,
126/25 AA, 41 R, 29-30, 9 R, 9 B, 38, 37 R,
126/40, 50; 99/359, 344, 446-449, 473,
99/481-482, 419, 421 HV, 421 R, 421 H
See application file for complete search history.

(56) **References Cited**

U.S. PATENT DOCUMENTS

3,098,427	A	7/1963	Del Francia	
D222,310	S	* 10/1971	Zaunbrecher	D7/332
D244,249	S	* 5/1977	Boswell et al.	D7/332
D457,775	S	* 5/2002	Peloquin	D7/332
D463,196	S	* 9/2002	Hsu	D7/332
D463,948	S	* 10/2002	Innes	D7/332
D486,348	S	* 2/2004	Zhu	D7/332
D550,022	S	* 9/2007	Amajuwon et al.	D7/332
D574,177	S	* 8/2008	Hulsey	D7/335
D576,833	S	* 9/2008	Mansell	D7/332
D583,185	S	* 12/2008	Rutter et al.	D7/334
D592,442	S	* 5/2009	Rutter et al.	D7/334
D598,698	S	* 8/2009	Lee	D7/332
D608,135	S	* 1/2010	Siow et al.	D7/335
2008/0121117	A1	5/2008	Best	

FOREIGN PATENT DOCUMENTS

WO WO 98/44835 10/1998

OTHER PUBLICATIONS

“Char-Broil, the Big Easy”, *Oil-less Turkey Fryer Product Guide*,
Model 08101480, pp. 1-20 (2008).
Co-pending U.S. Appl. No. 61/257,543 filed Nov. 3, 2009.

* cited by examiner

Primary Examiner—Ruth McInroy

(74) *Attorney, Agent, or Firm*—Smith, Gambrell & Russell,
LLP

(57) **CLAIM**

The ornamental design for a cooking apparatus, as shown and
described.

DESCRIPTION

FIG. 1 is a front, left side perspective view of a first embodi-
ment of a cooking apparatus of the present invention;

FIG. 2 is a front elevational view thereof;

FIG. 3 is a rear elevational view thereof;

FIG. 4 is a top plan view thereof;

FIG. 5 is a bottom view thereof;

FIG. 6 is a left side elevational view thereof; and

FIG. 7 is a right side elevational view thereof;

FIG. 8 is a front, left side perspective view of a second
embodiment of a cooking apparatus of the present invention;

FIG. 9 is a front elevational view thereof;

FIG. 10 is a rear elevational view thereof;

FIG. 11 is a top plan view thereof;

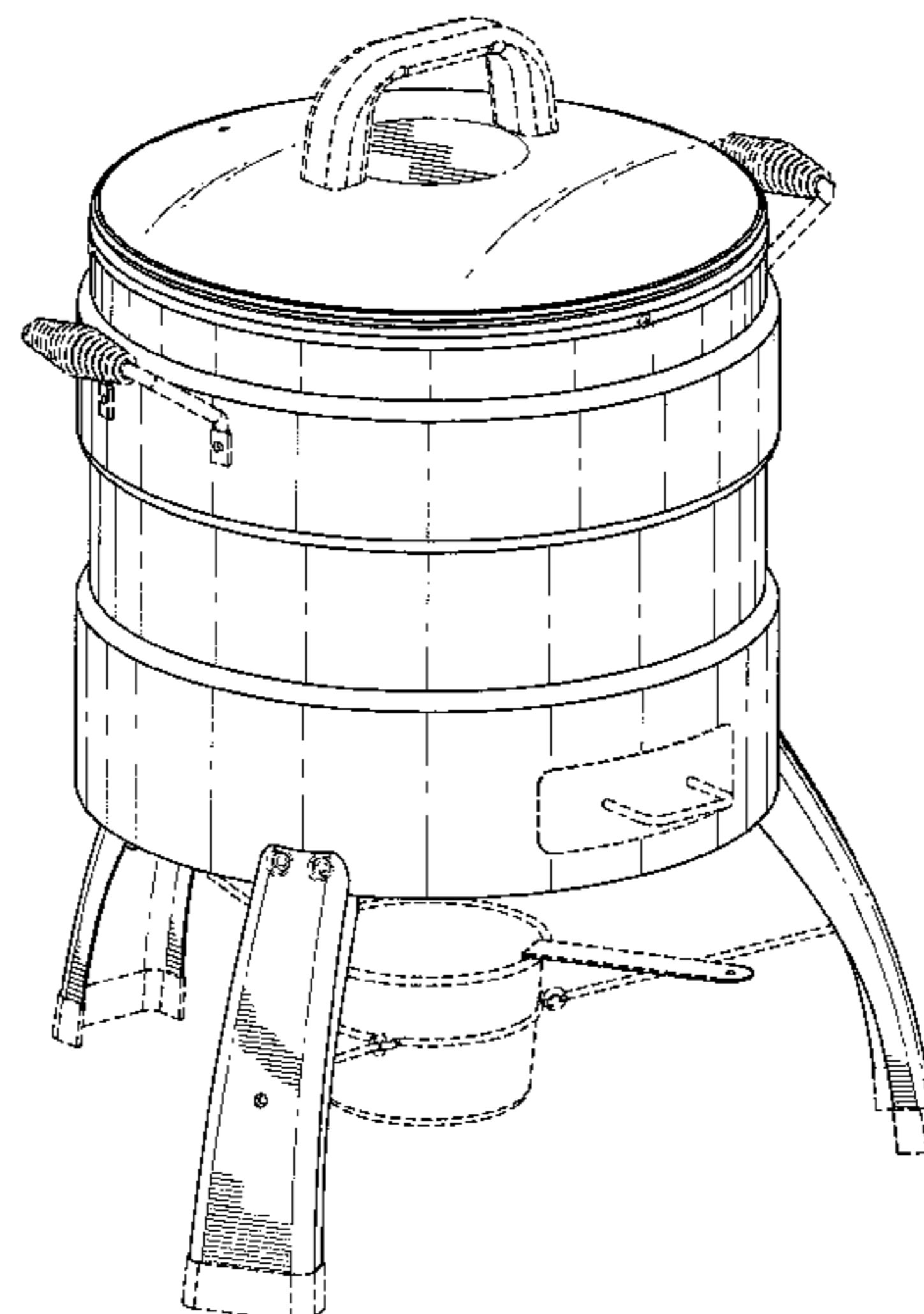
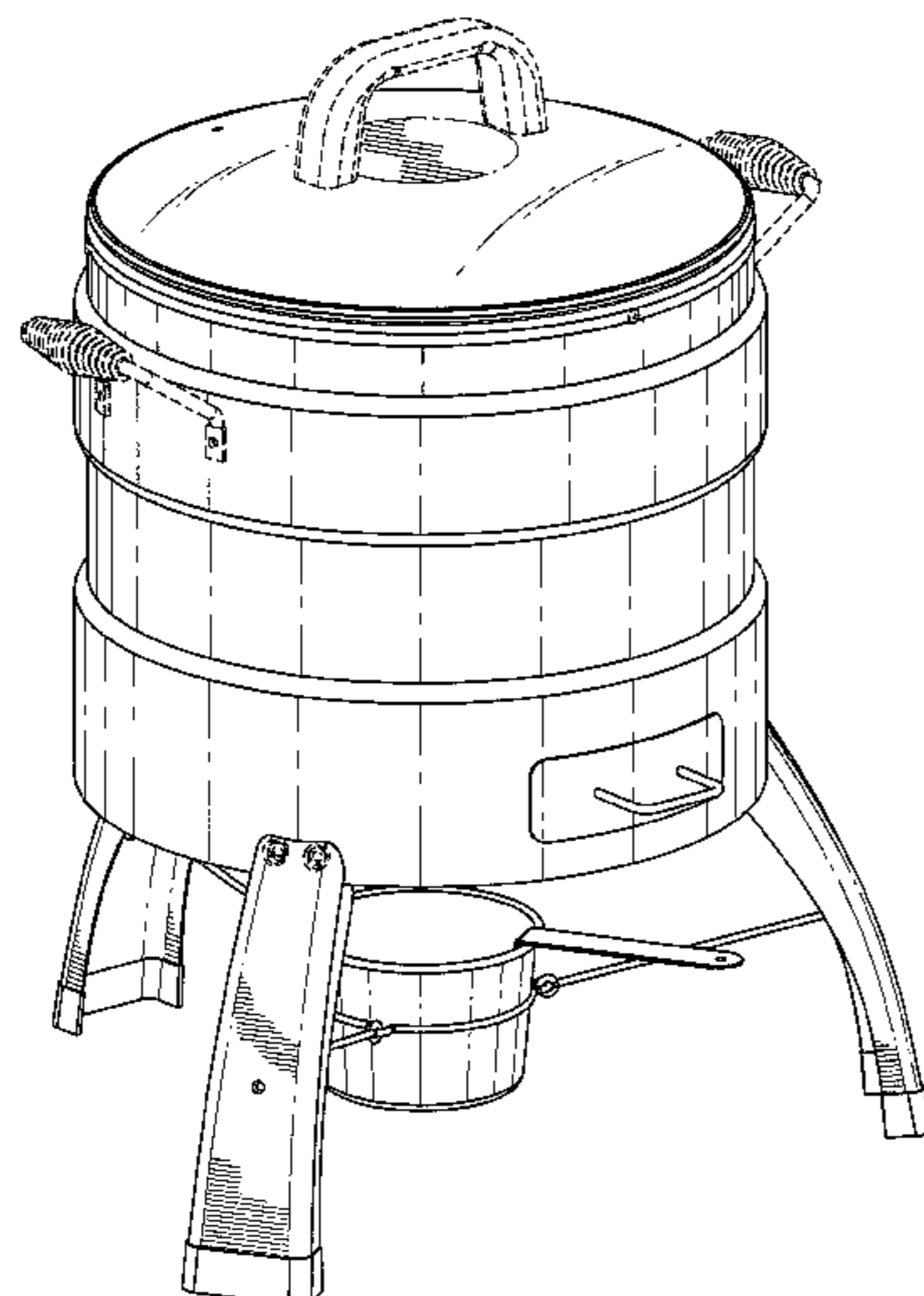
FIG. 12 is a bottom view thereof;

FIG. 13 is a left side elevational view thereof; and,

FIG. 14 is a right side elevational view thereof.

The details shown in broken lines form no part of the claimed
design.

1 Claim, 14 Drawing Sheets



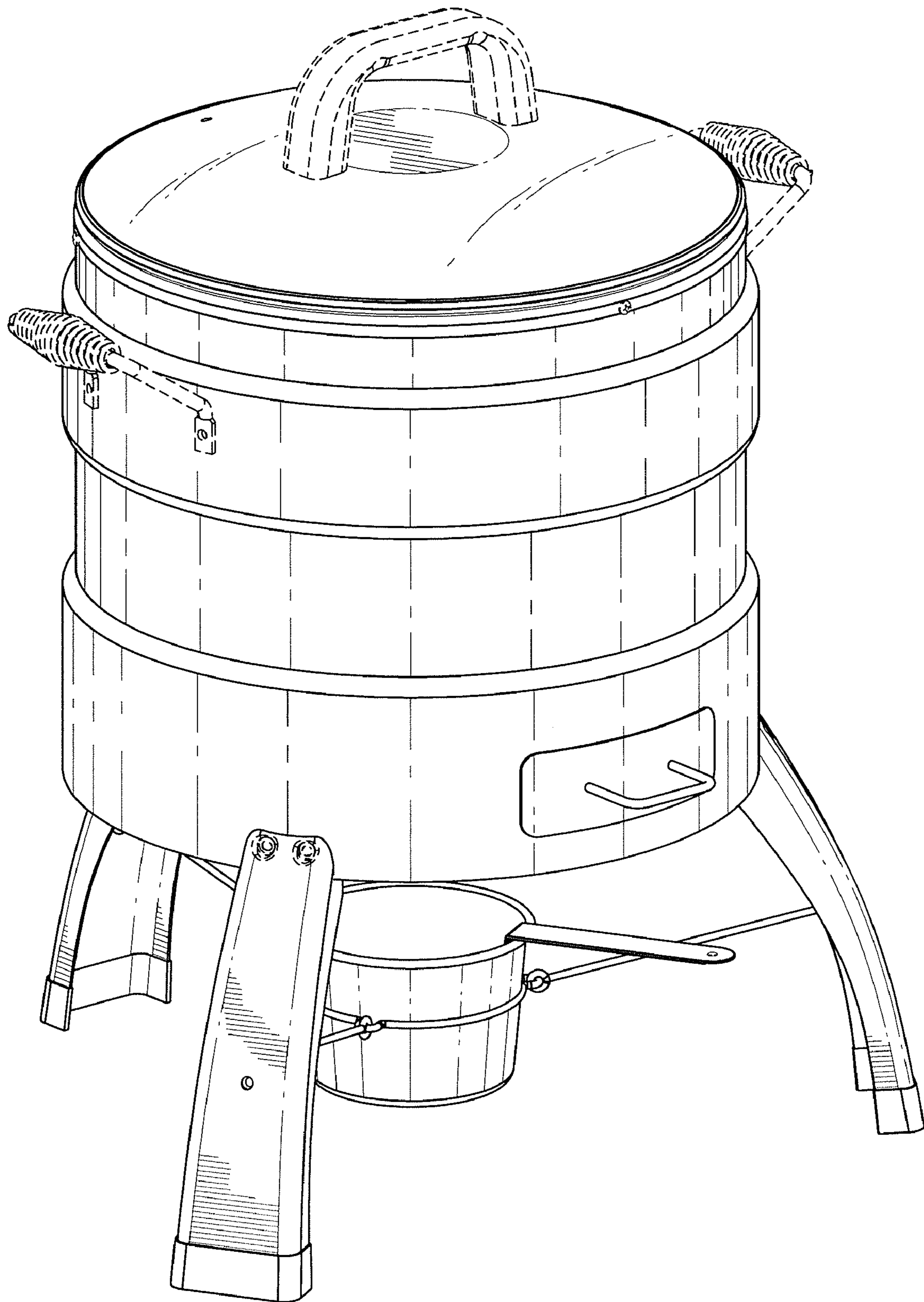


FIG. 1

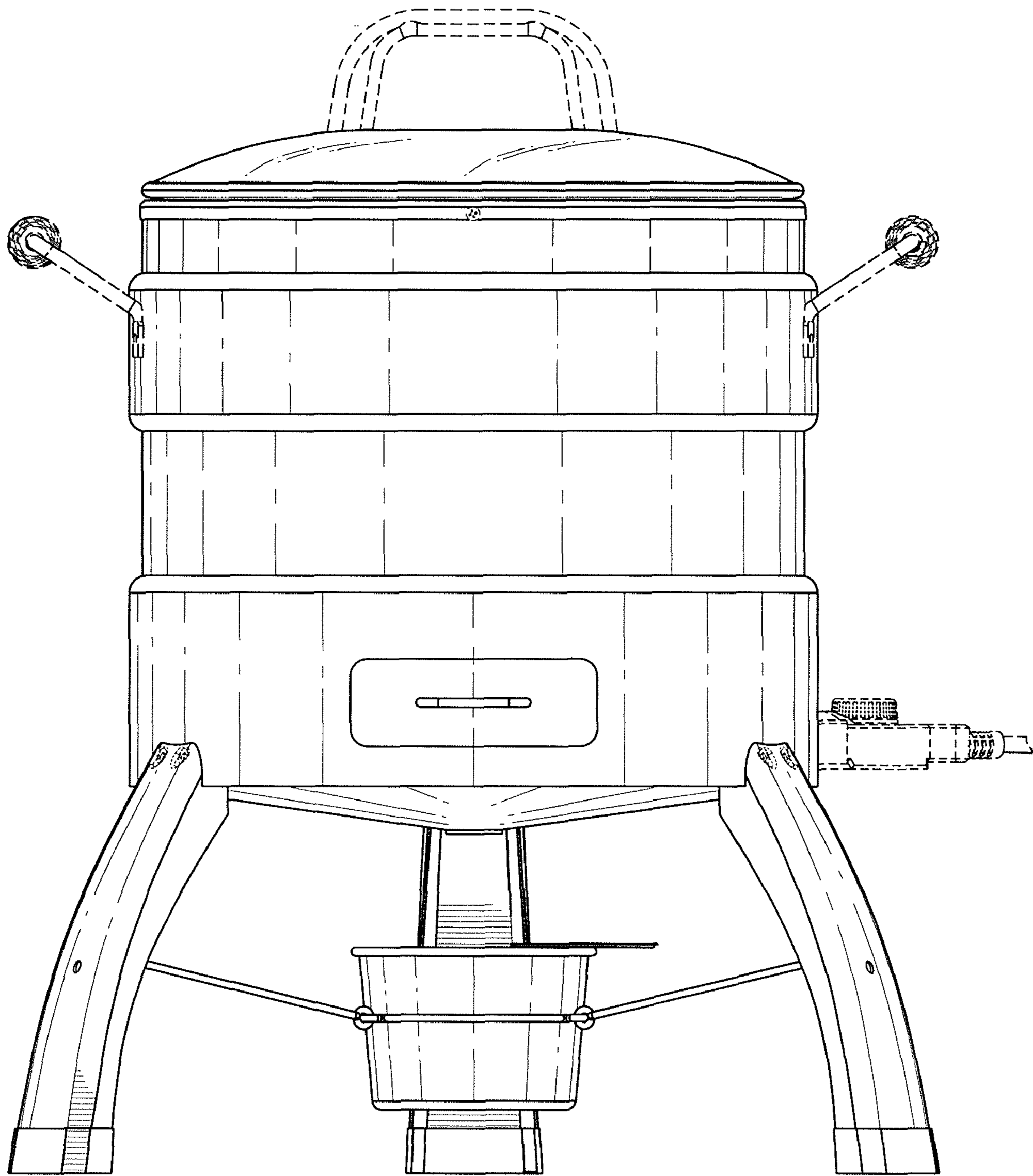


FIG.2

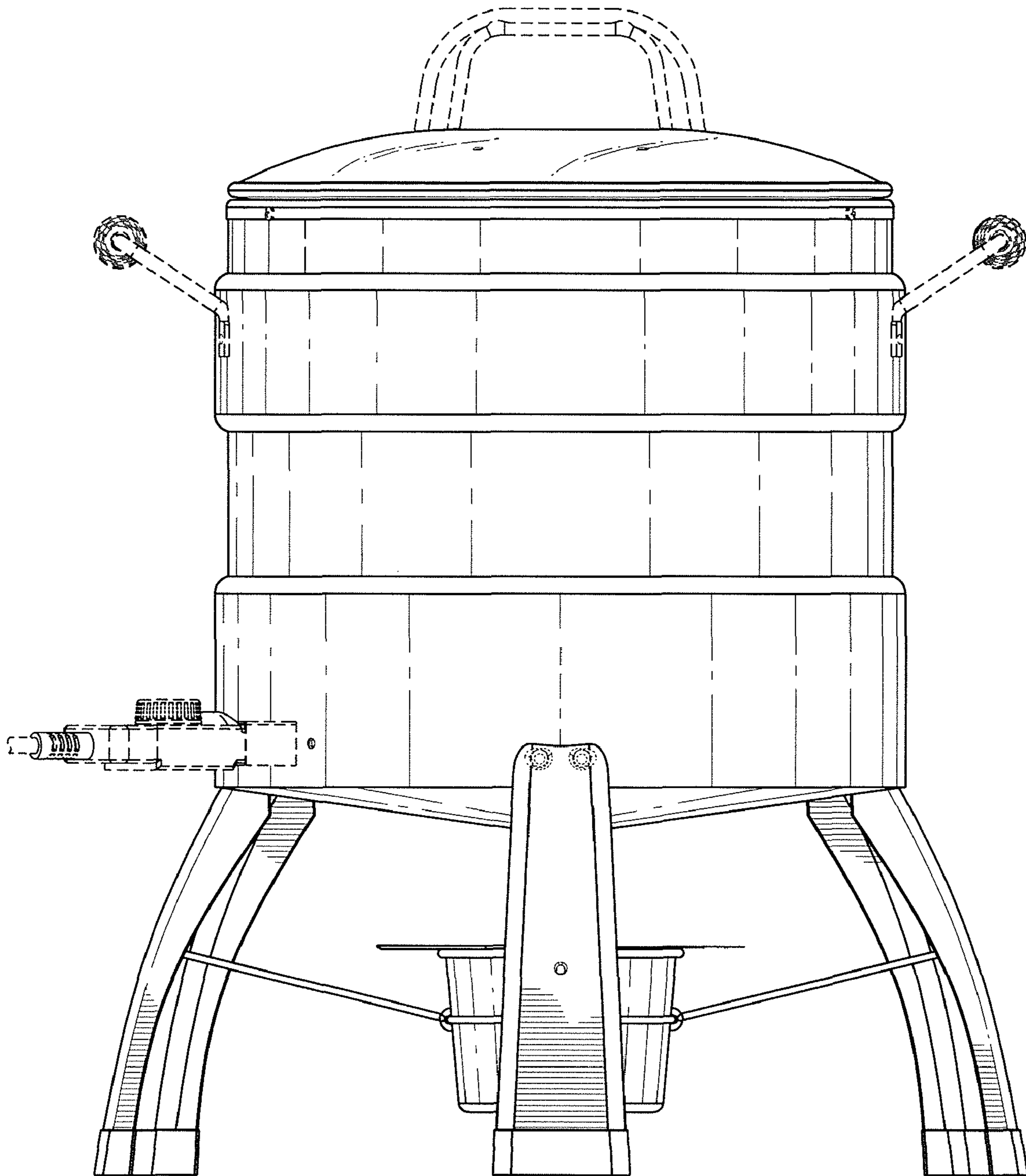


FIG. 3

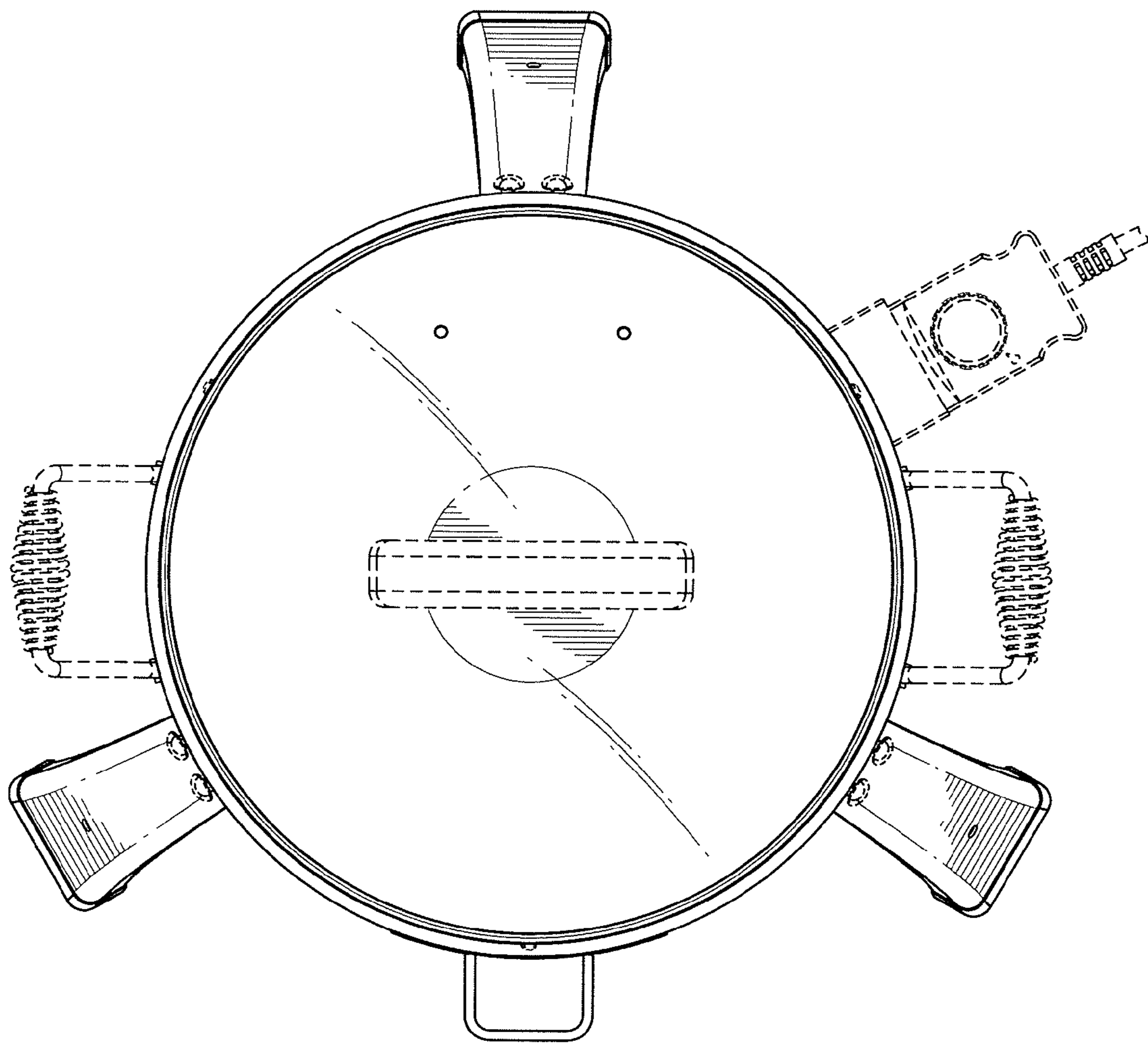


FIG.4

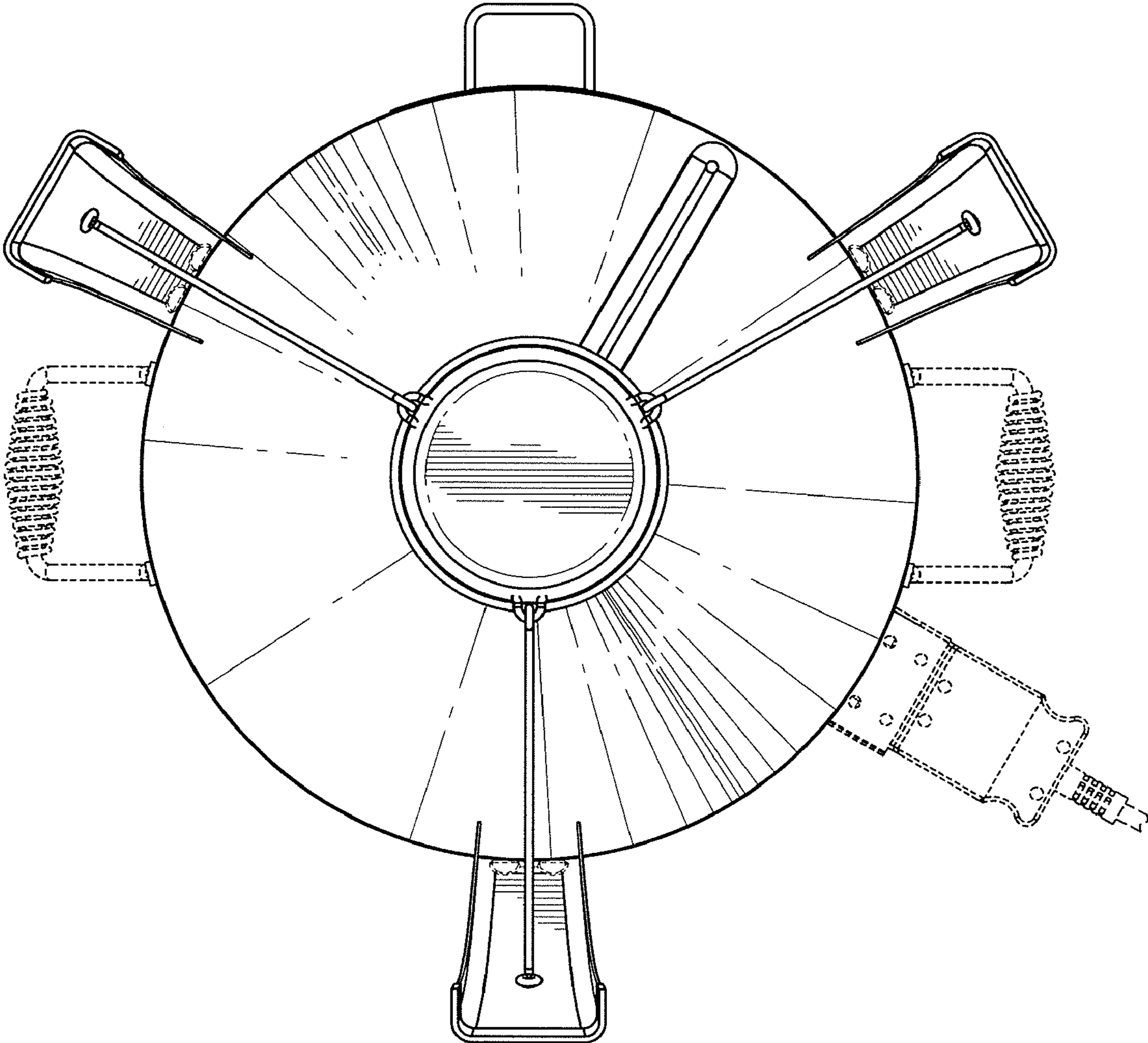


FIG.5

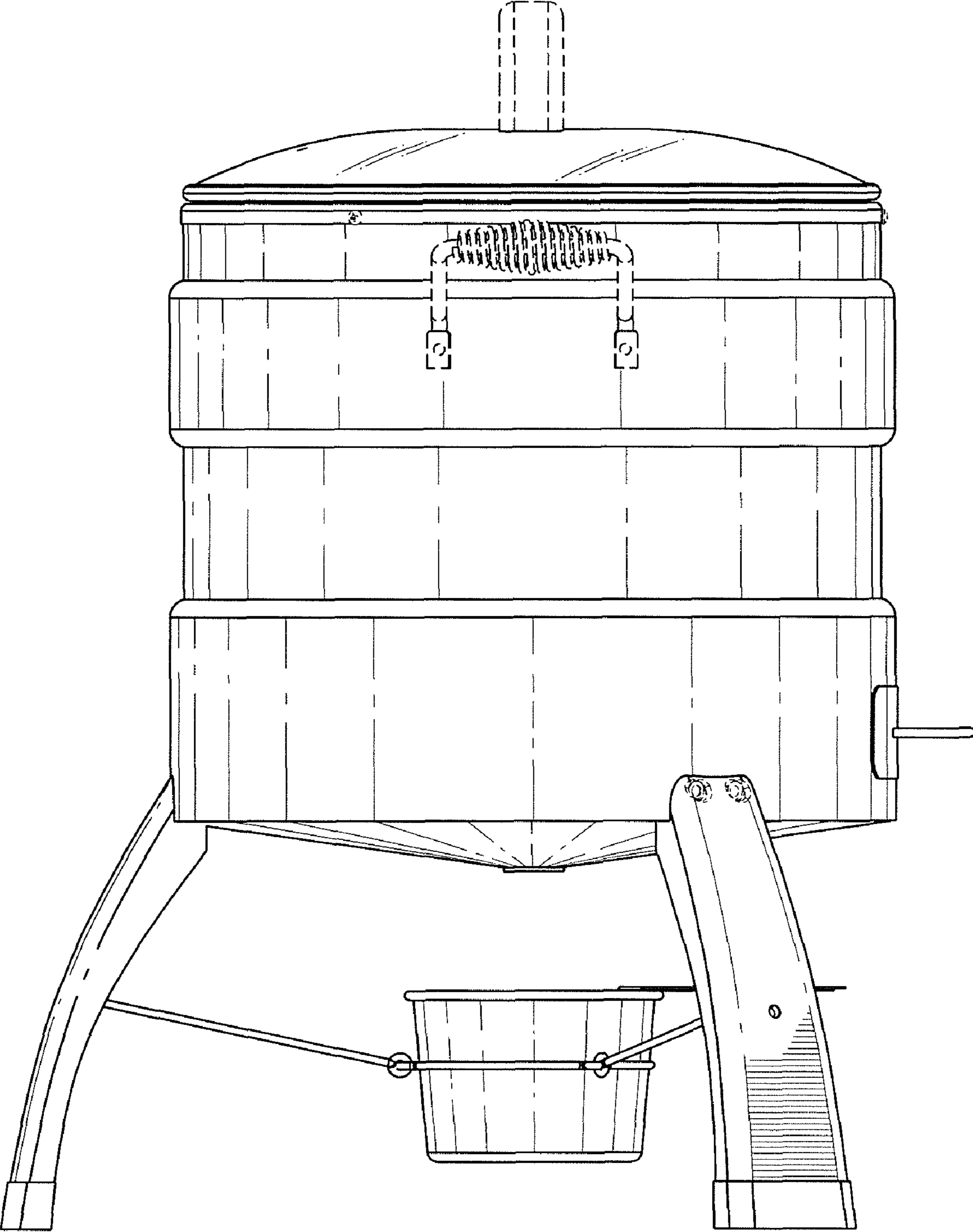


FIG. 6

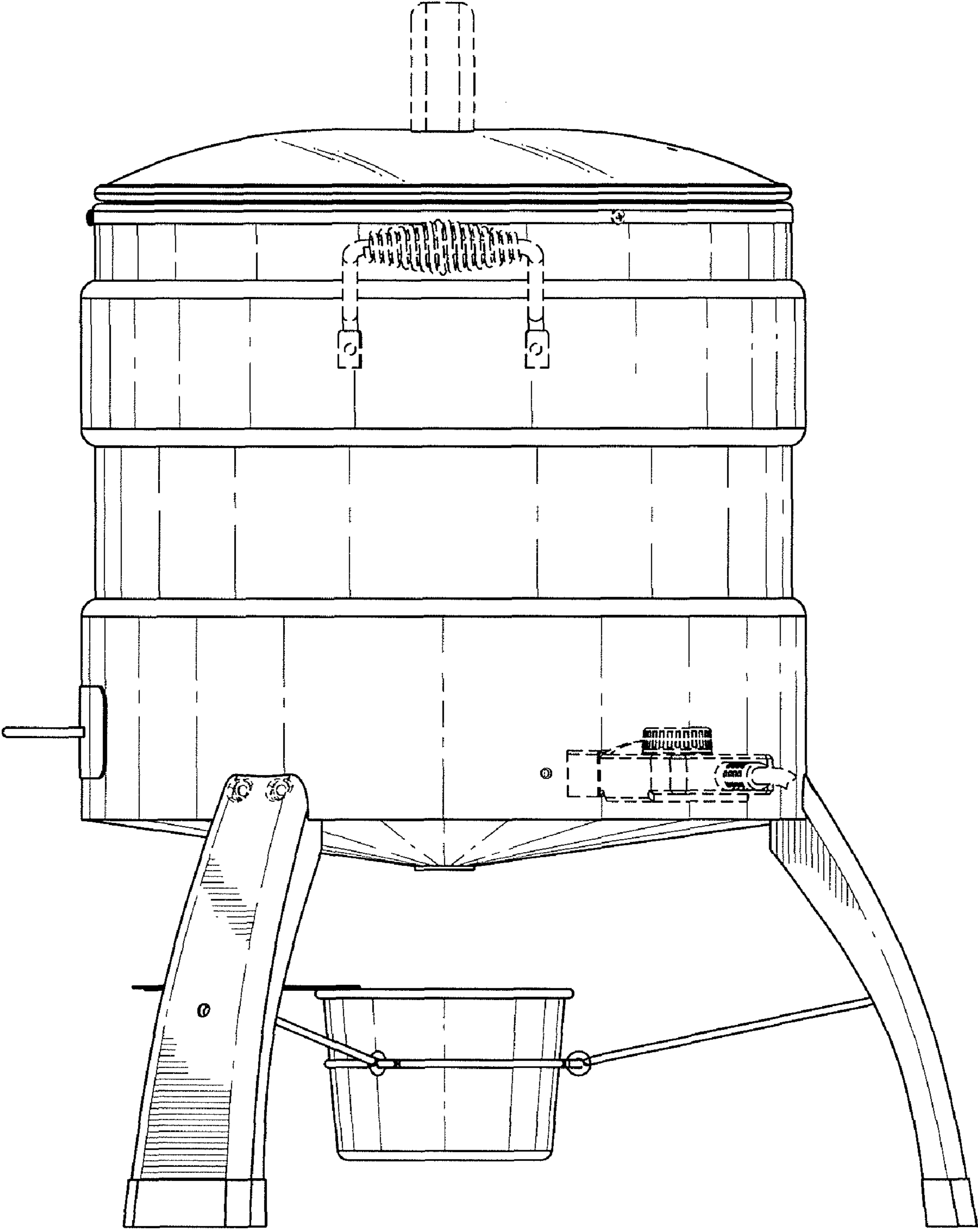


FIG. 7

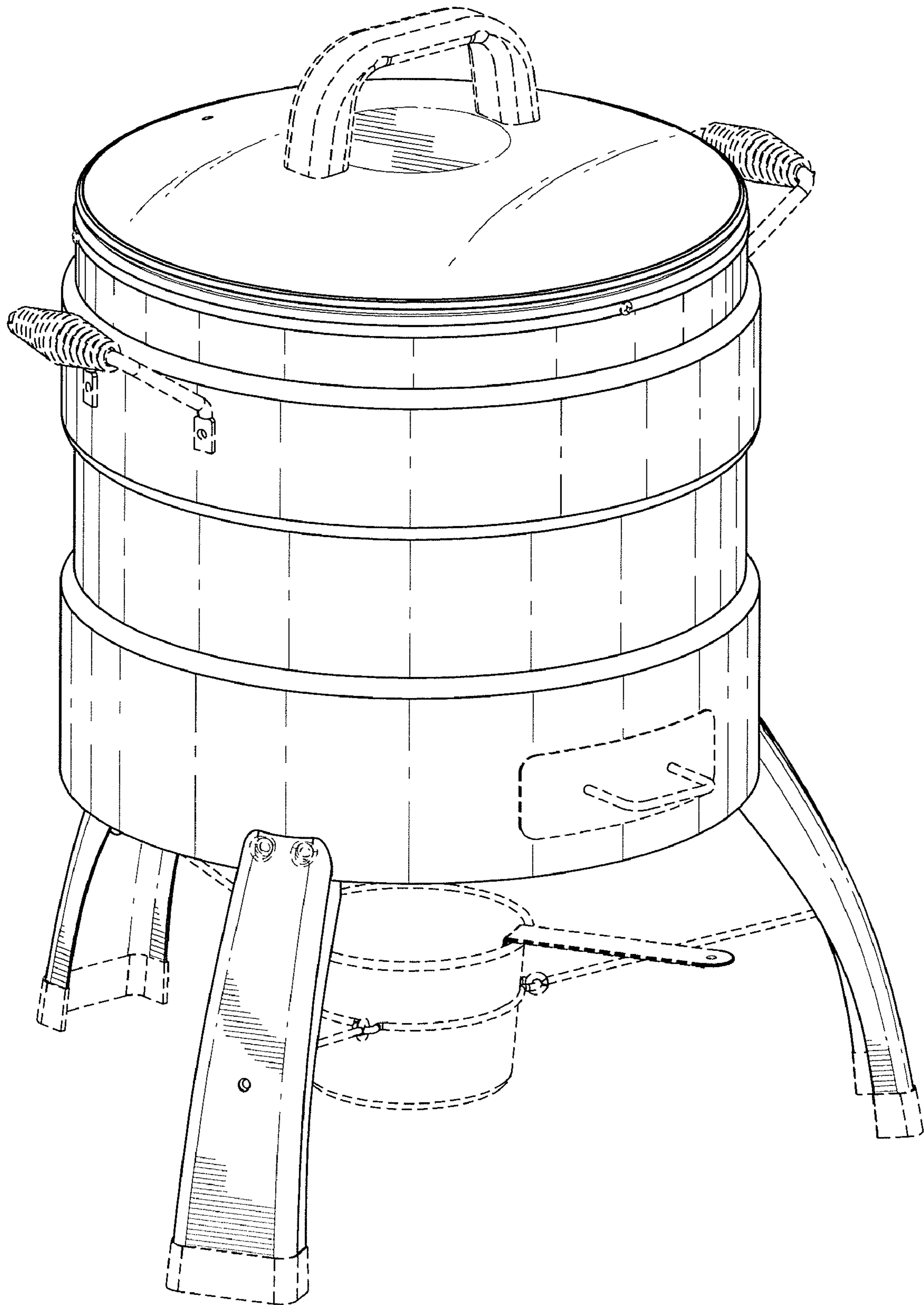


FIG. 8

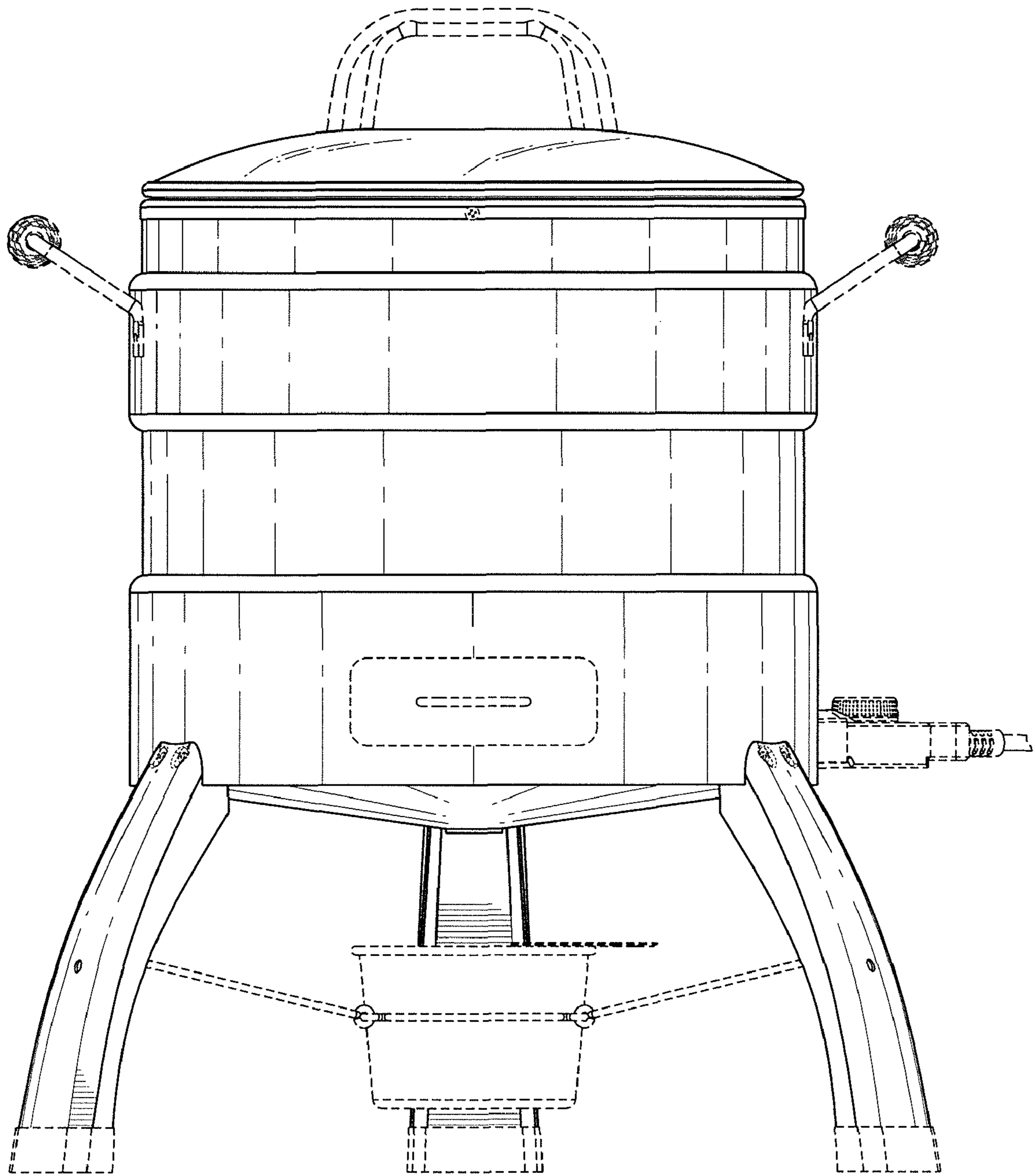


FIG. 9

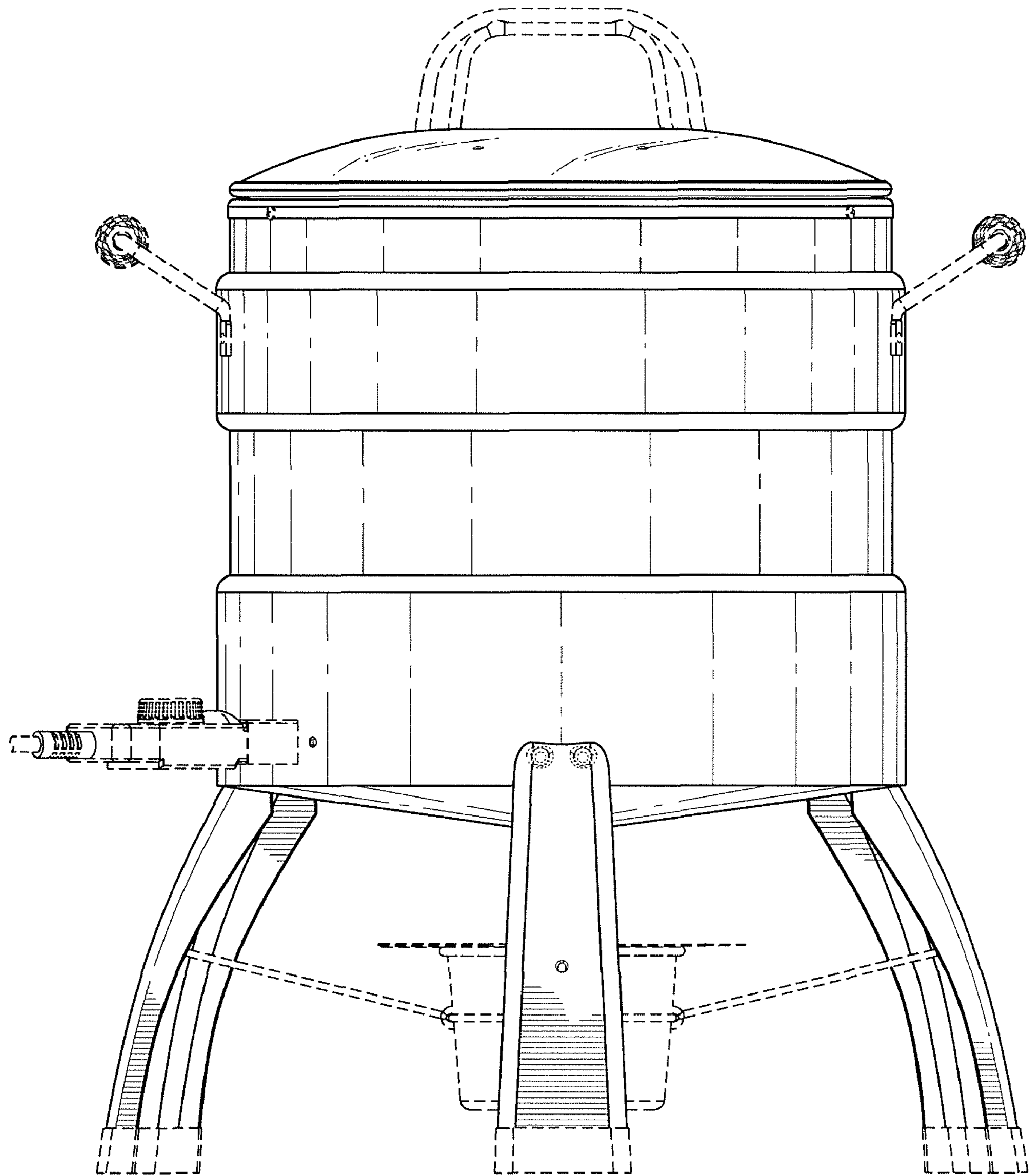


FIG. 10

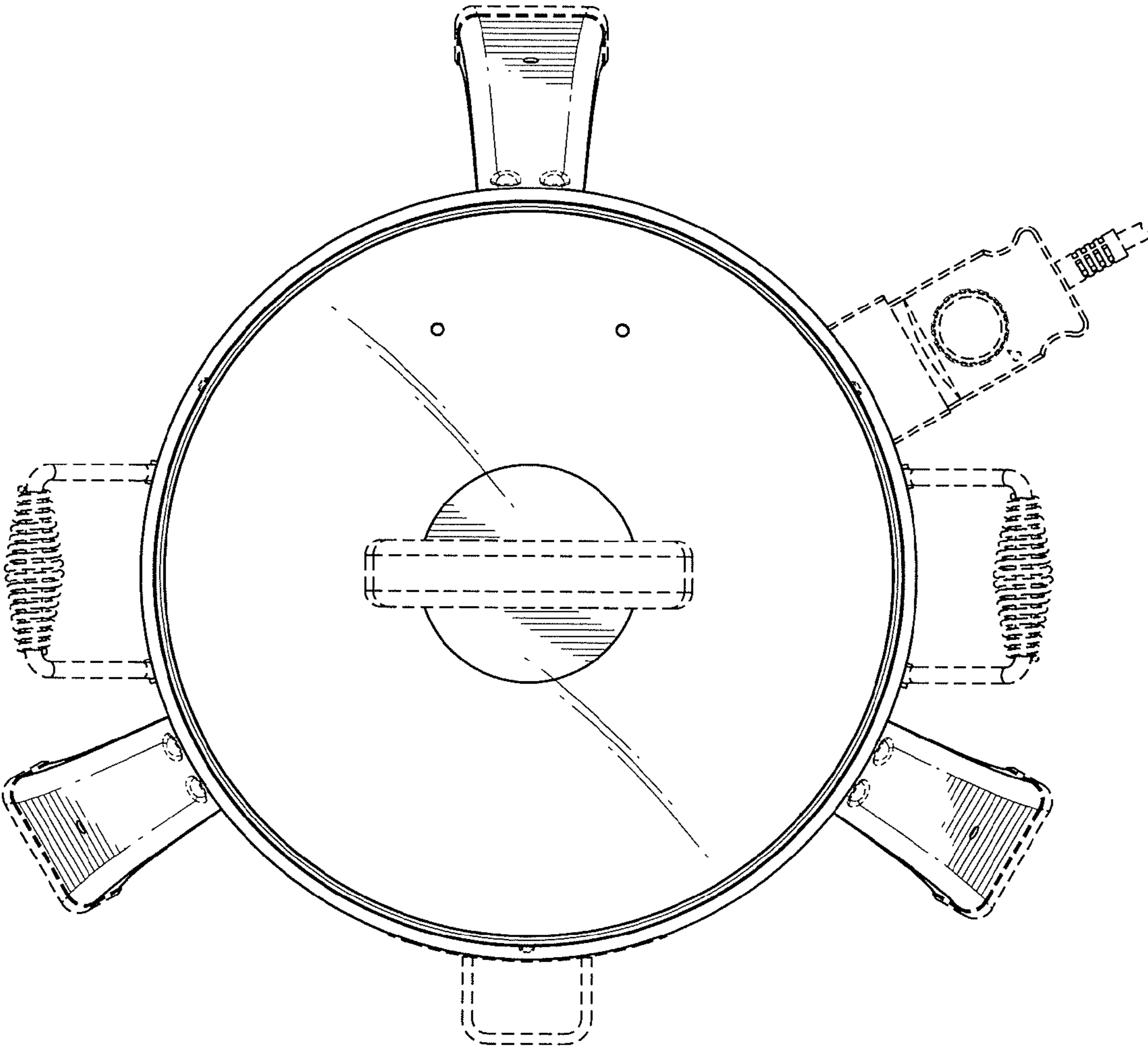


FIG. 11

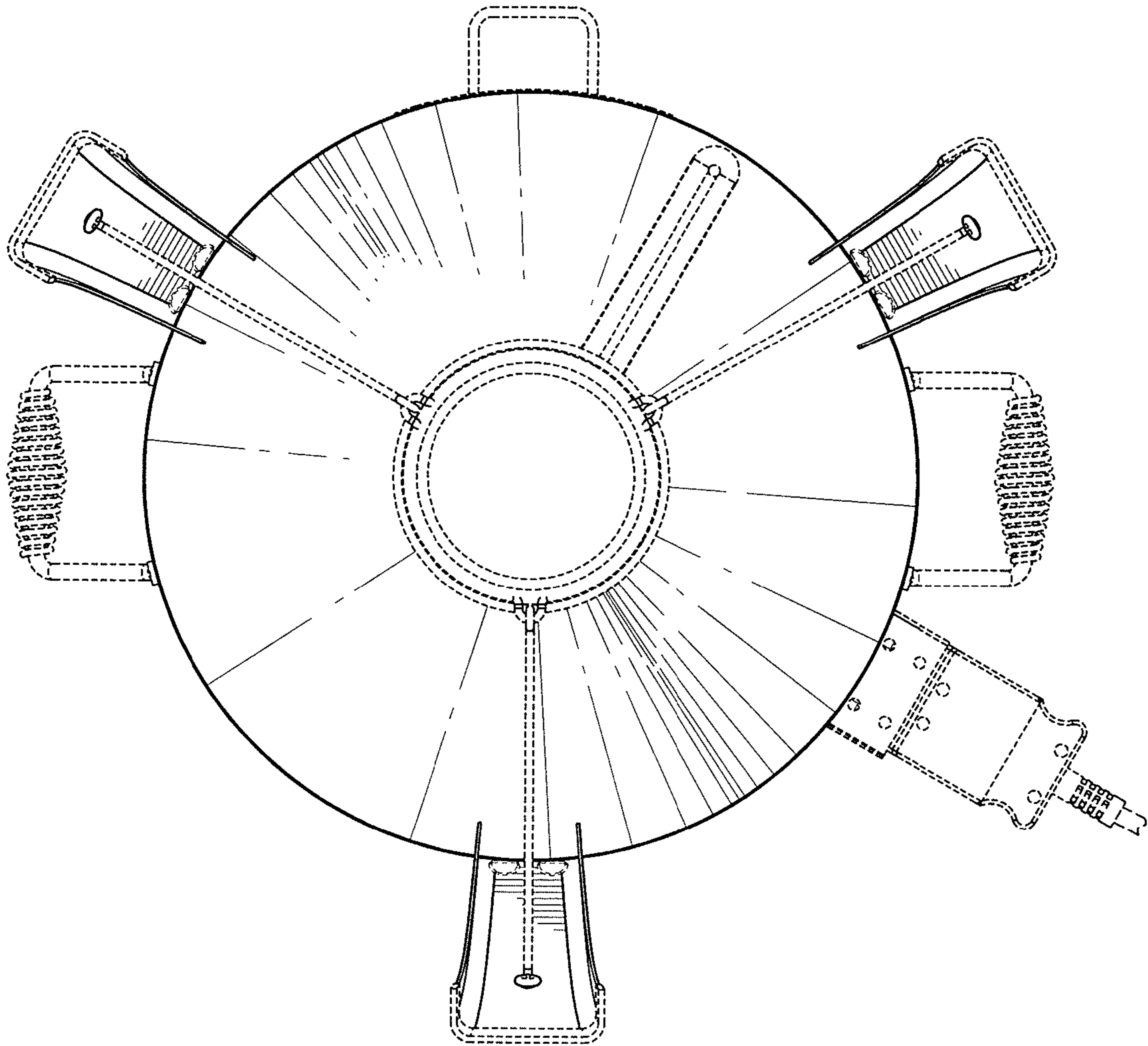


FIG. 12

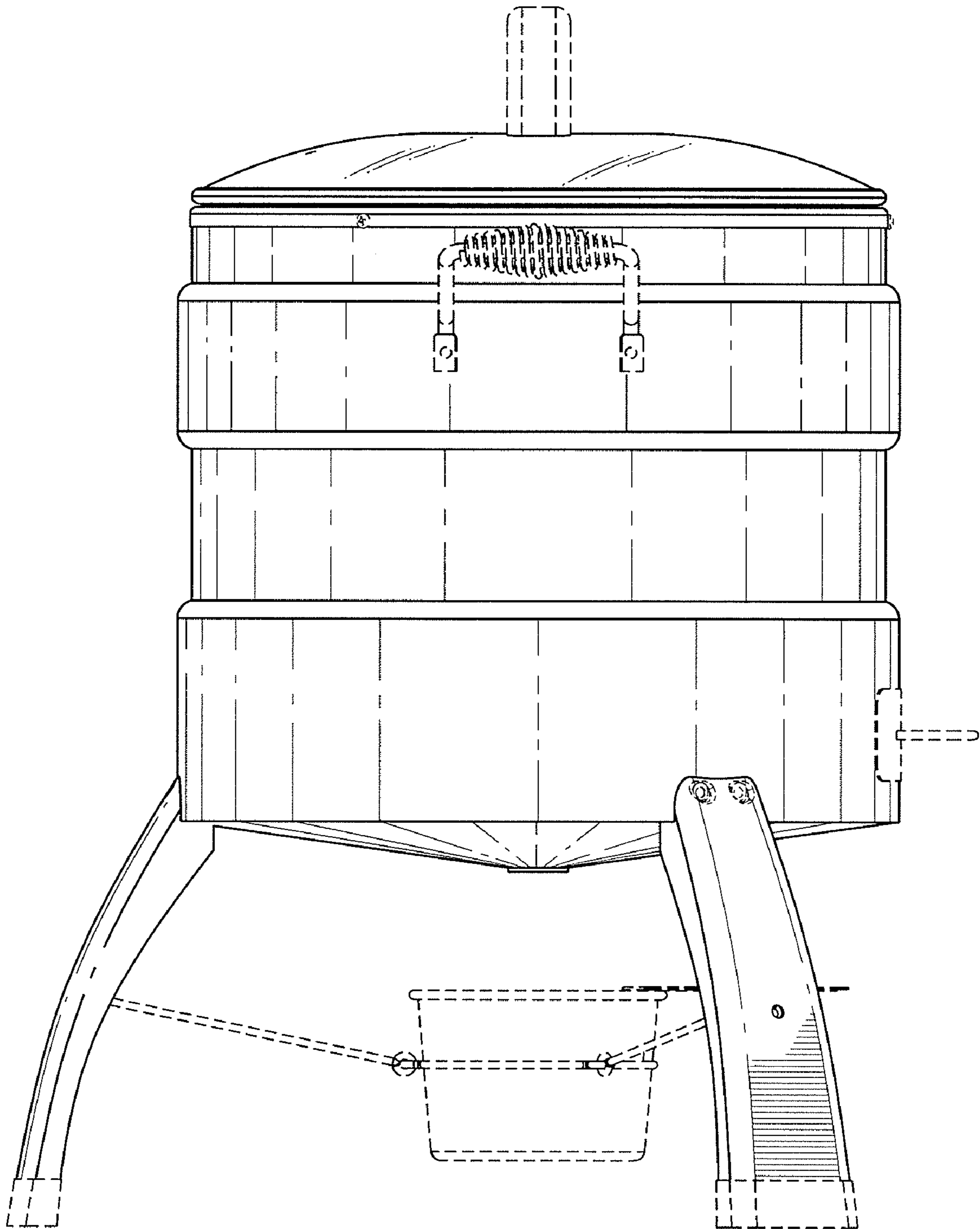


FIG. 13

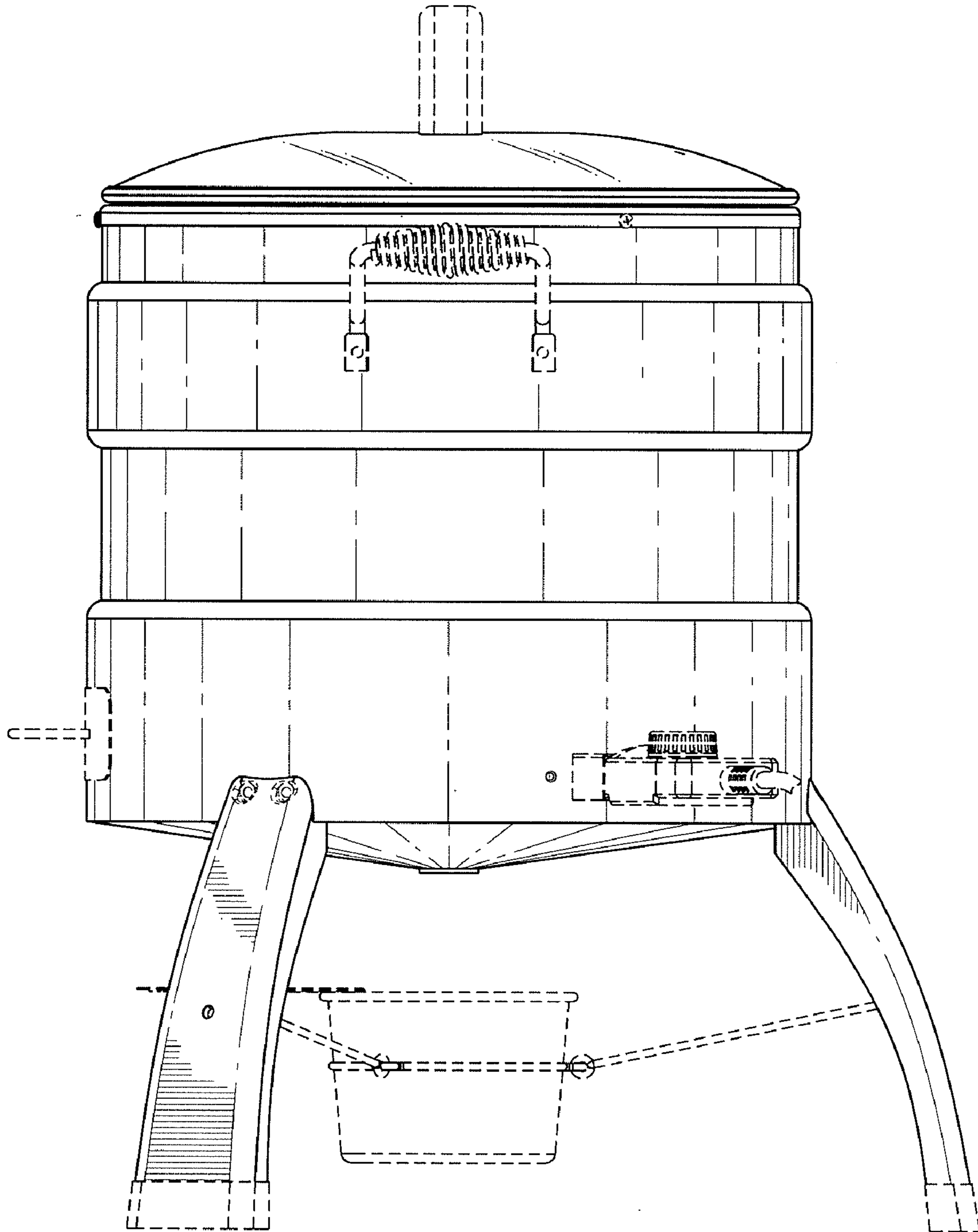


FIG. 14