



US00D629242S

(12) **United States Design Patent**
Waite

(10) **Patent No.:** **US D629,242 S**
(45) **Date of Patent:** **** Dec. 21, 2010**

(54) **COMFORTER WITH REMOVABLE DECORATIVE PANEL**

(75) Inventor: **Carmen Waite**, Charlotte, NC (US)

(73) Assignee: **Springs Global US, Inc.**, Fort Mill, SC (US)

(**) Term: **14 Years**

(21) Appl. No.: **29/329,274**

(22) Filed: **Dec. 11, 2008**

(51) **LOC (9) Cl.** **06-09**

(52) **U.S. Cl.** **D6/603**

(58) **Field of Classification Search** D6/596-603,
D6/608, 609, 588; 5/482, 485, 489-491,
5/494, 495, 497, 499-502, 417-420, 907
See application file for complete search history.

(56) **References Cited**

U.S. PATENT DOCUMENTS

2,139,980	A *	12/1938	Simon	5/493
2,264,471	A *	12/1941	Glenn	5/419
2,821,723	A *	2/1958	Gluck	5/501
D212,149	S *	9/1968	Tuvert	D2/719
4,513,461	A *	4/1985	Tardivel	5/413 R

(Continued)

Primary Examiner—Janice E Seeger

Assistant Examiner—Zenita I Bennett

(74) *Attorney, Agent, or Firm*—Myers Bigel Sibley & Sajovec, P.A.

(57) **CLAIM**

The ornamental design for a comforter with removable decorative panel, as shown and described.

DESCRIPTION

FIG. 1 is a perspective view of a comforter with removable decorative panel, showing my new design in an exemplary environment;

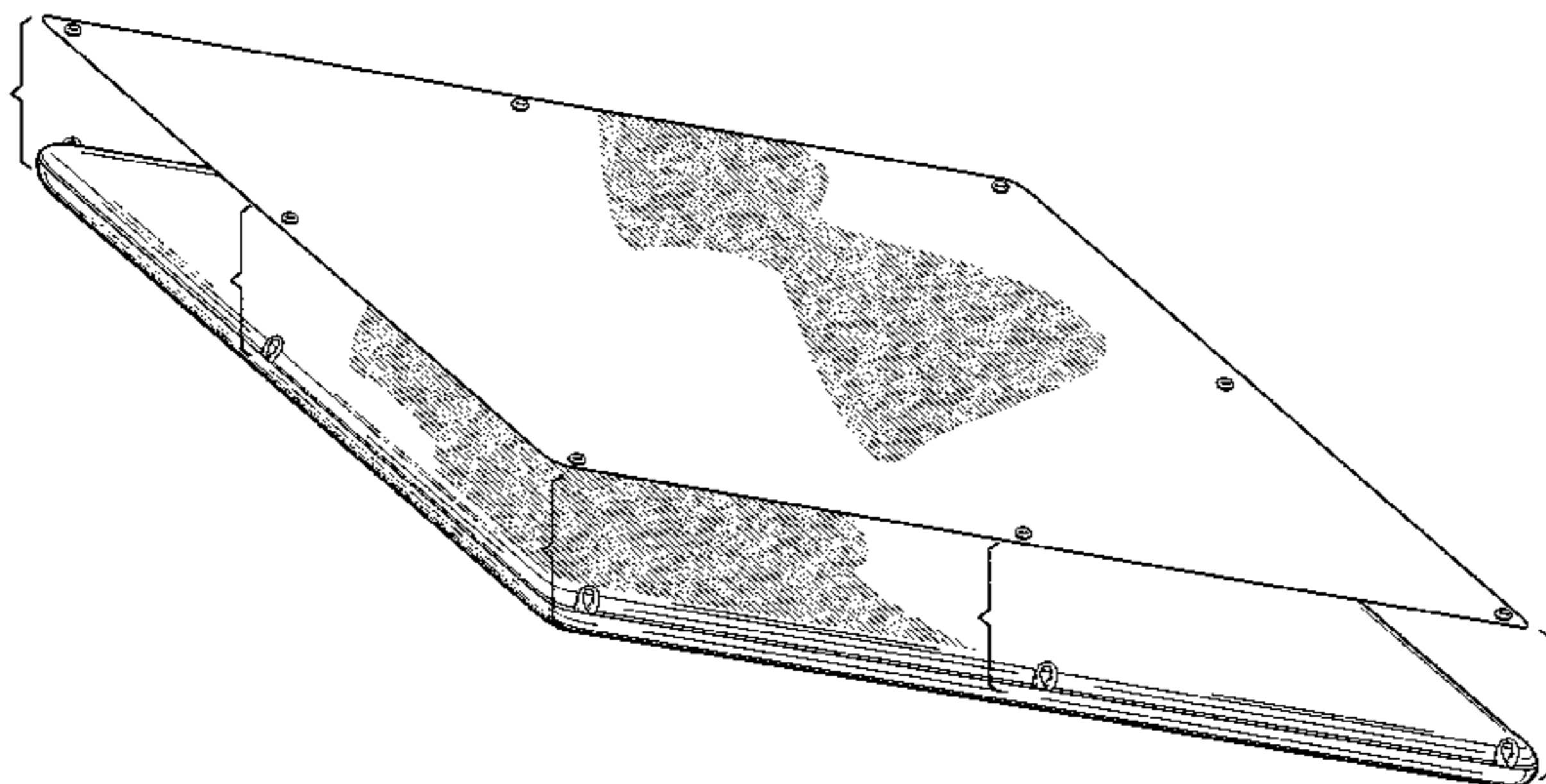


FIG. 2 is a top plan view thereof;

FIG. 3 is an end view thereof;

FIG. 4 is an end view thereof, opposite that shown in FIG. 3;

FIG. 5 is a side view thereof;

FIG. 6 is a side view thereof, opposite that shown in FIG. 5;

FIG. 7 is a bottom plan view of the removable decorative panel thereof;

FIG. 8 is a an enlarged fragmentary perspective view of the fastener shown within the rectangular area identified as 8 in FIG. 2;

FIG. 9 is a top plan view of the fastener shown in FIG. 8;

FIG. 10 is an exploded perspective view of the comforter with removable decorative panel shown in FIG. 1;

FIG. 11 is a perspective view of another embodiment of a comforter with removable decorative panel, showing my new design in an exemplary environment;

FIG. 12 is a top plan view thereof;

FIG. 13 is an end view thereof;

FIG. 14 is an end view thereof, opposite that shown in FIG. 13;

FIG. 15 is a side view thereof;

FIG. 16 is a side view thereof, opposite that shown in FIG. 15;

FIG. 17 is a bottom plan view of the removable decorative panel thereof;

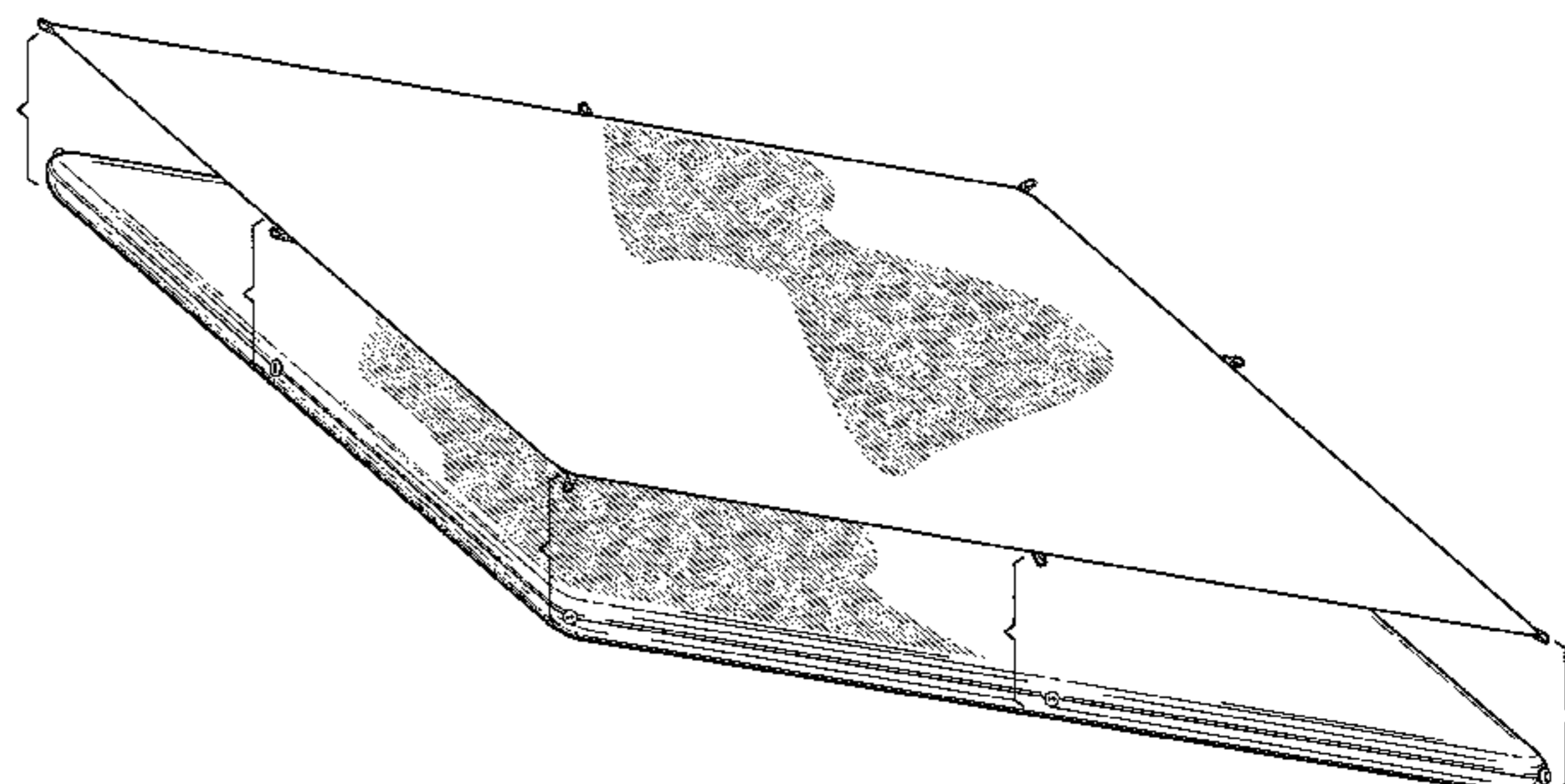
FIG. 18 is a an enlarged fragmentary perspective view of the fastener shown within the rectangular area identified as 18 in FIG. 12;

FIG. 19 is a top plan view of the fastener shown in FIG. 18; and,

FIG. 20 is an exploded perspective view of the comforter with removable decorative panel shown in FIG. 11.

The broken lines shown herein are for illustrative purposes only and form no part of the claimed design.

1 Claim, 10 Drawing Sheets



US D629,242 S

Page 2

U.S. PATENT DOCUMENTS

4,890,347 A *	1/1990	Fuller	5/658	5,732,424 A *	3/1998	Bond	5/502
D319,366 S *	8/1991	Popovich et al.	D6/603	6,122,781 A *	9/2000	Stephenson	5/482
5,566,411 A *	10/1996	Eiler	5/494	D593,788 S *	6/2009	Thompson	D6/602

* cited by examiner

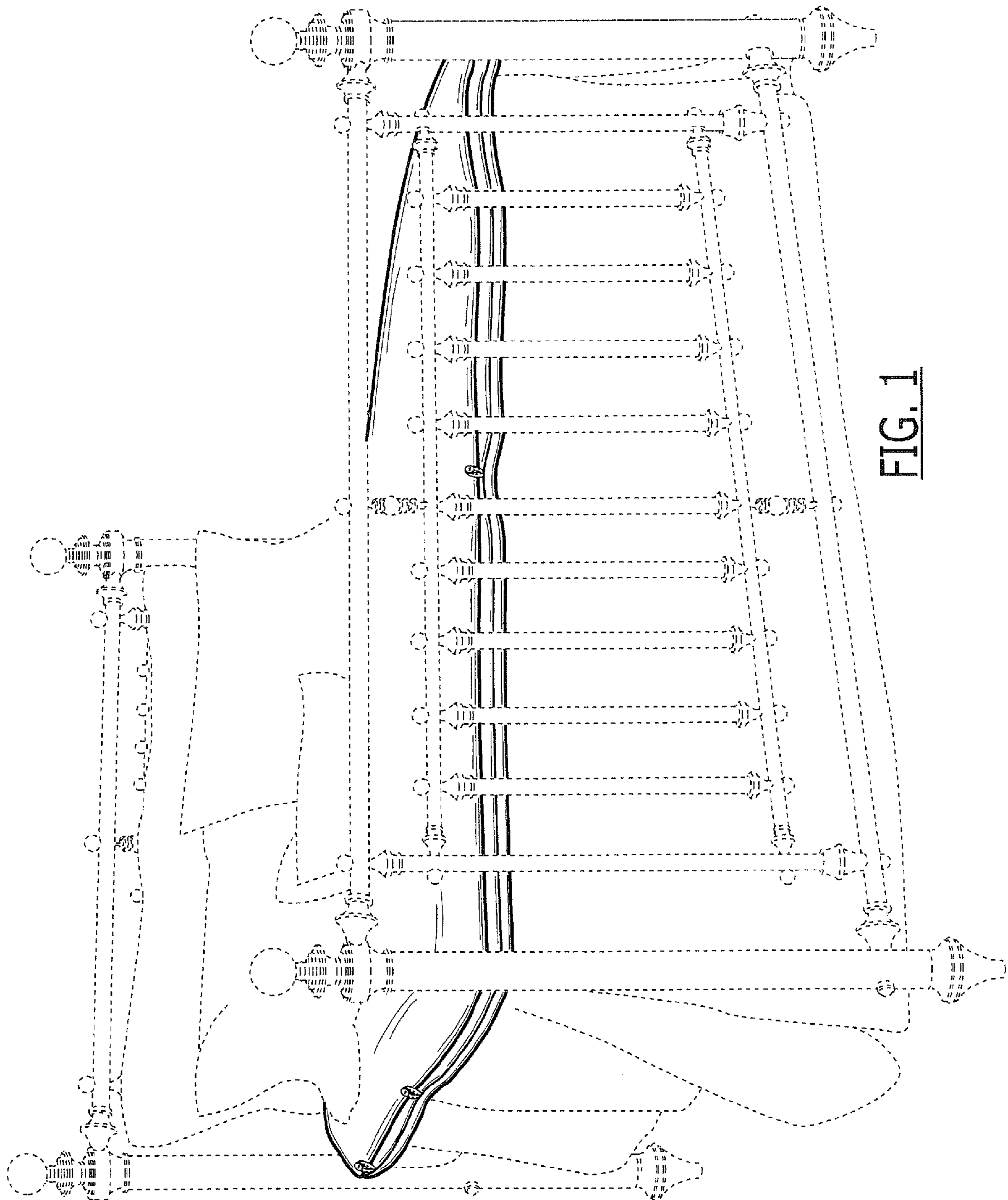




FIG. 5

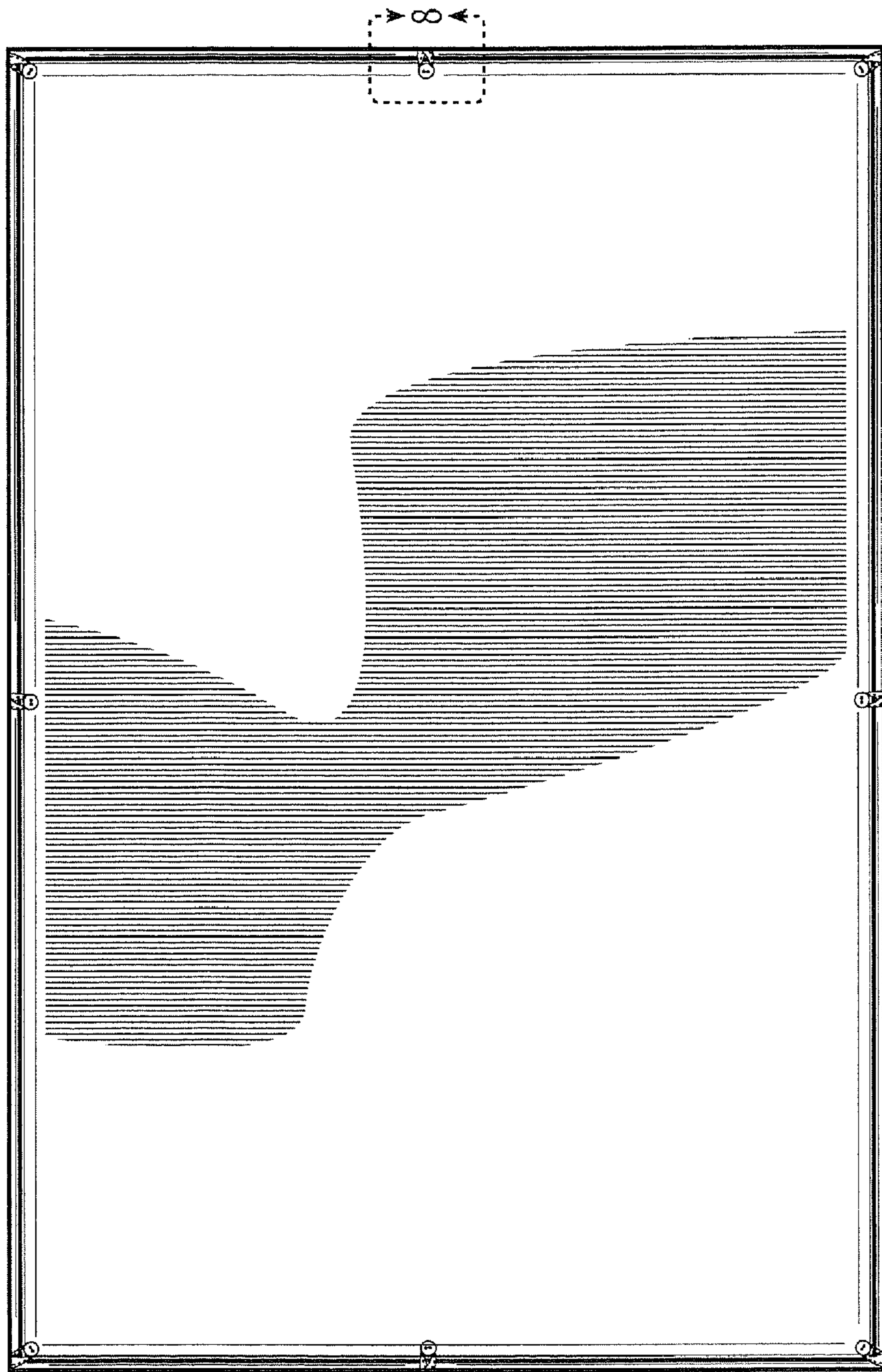


FIG. 2



FIG. 3



FIG. 4



FIG. 6

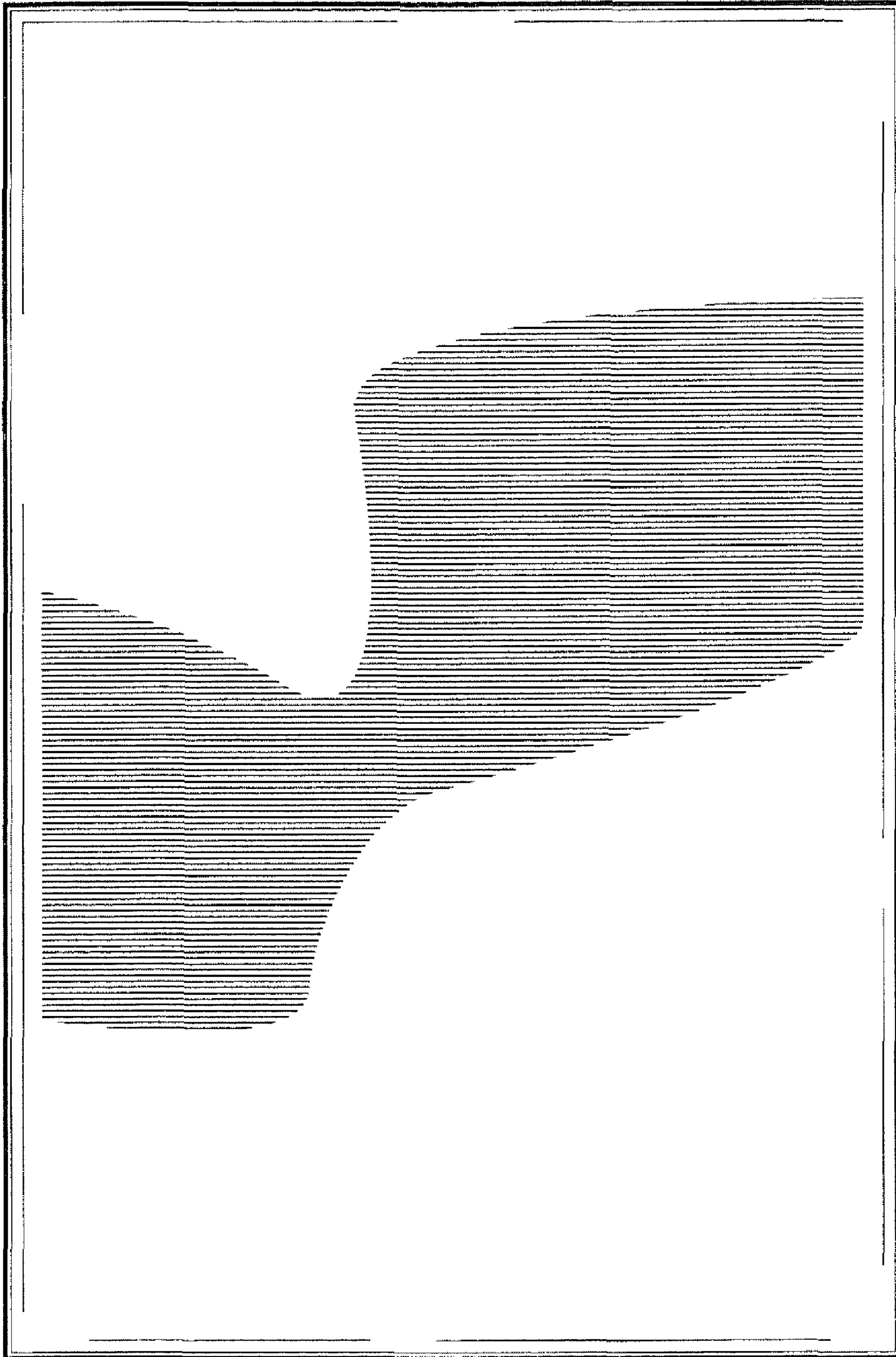


FIG. 7

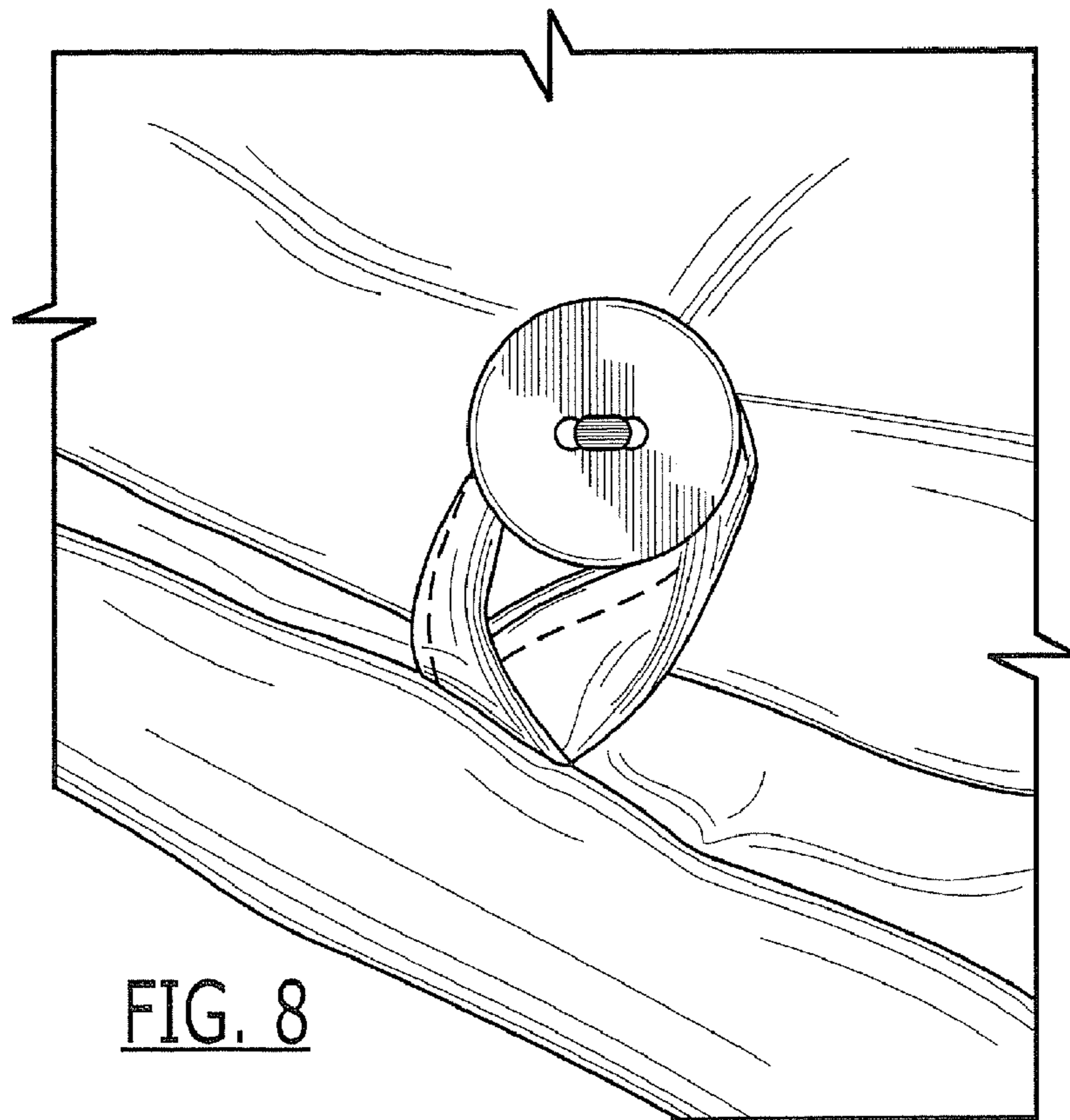


FIG. 8

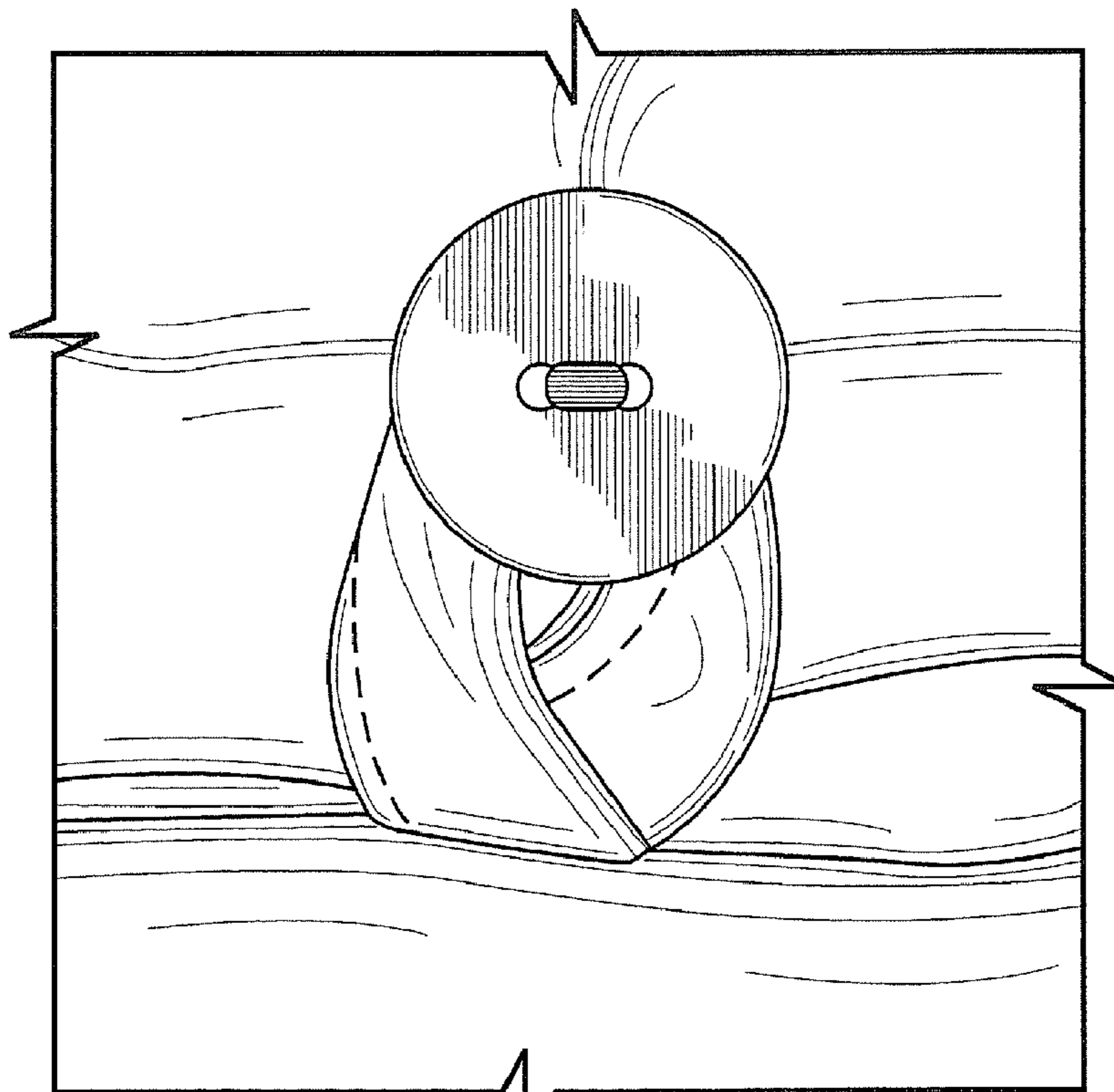


FIG. 9

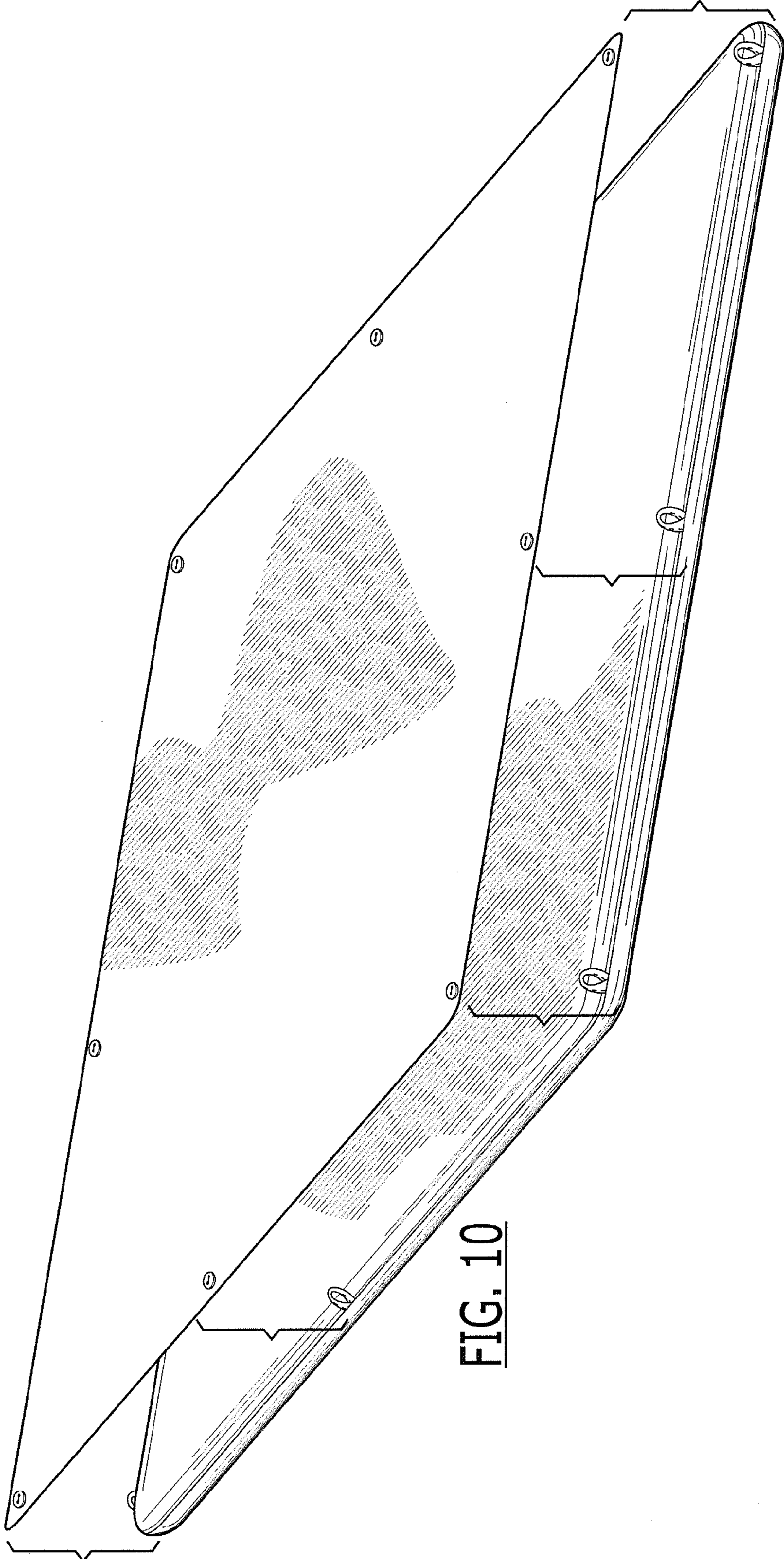


FIG. 10

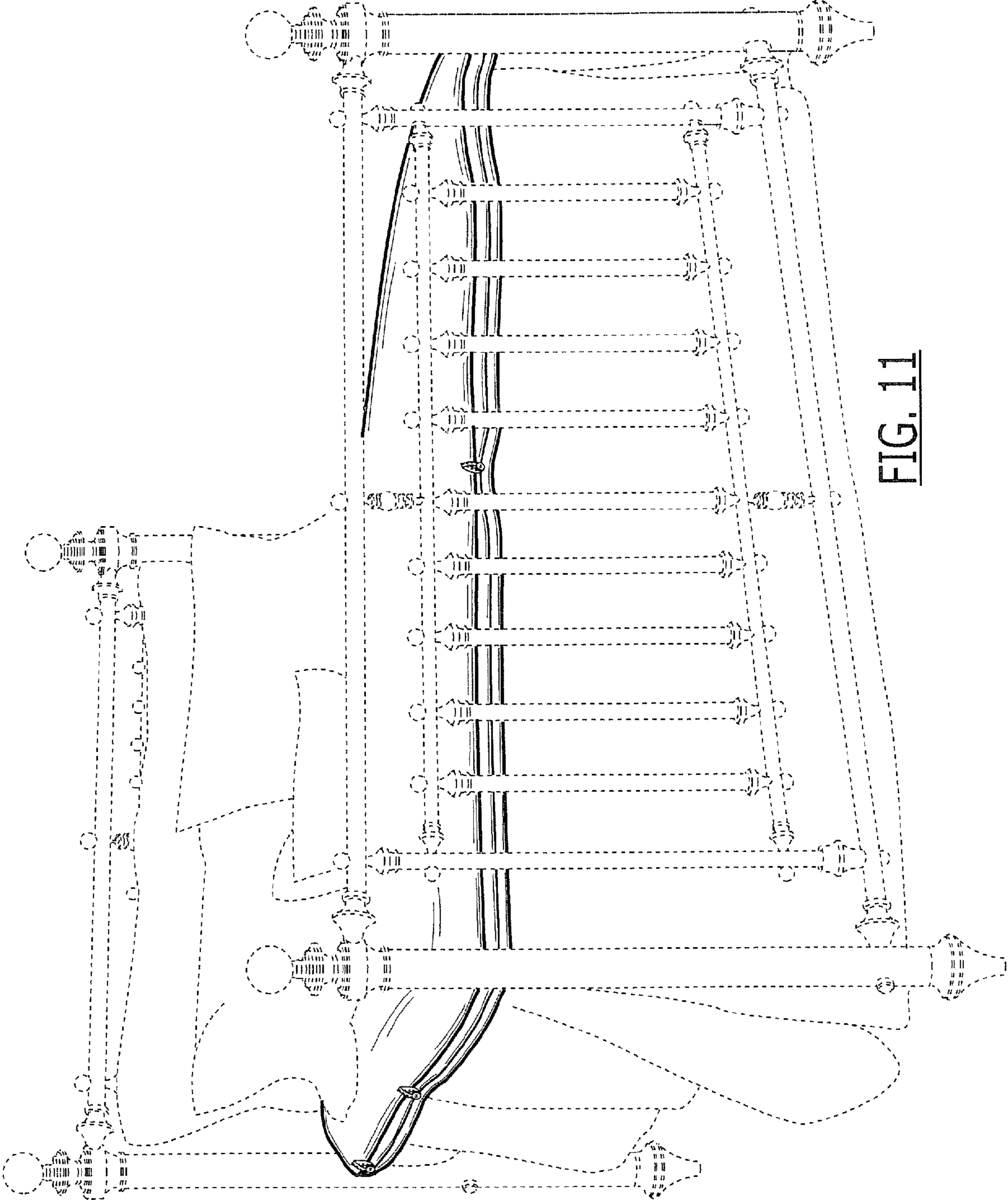


FIG. 11



FIG. 15

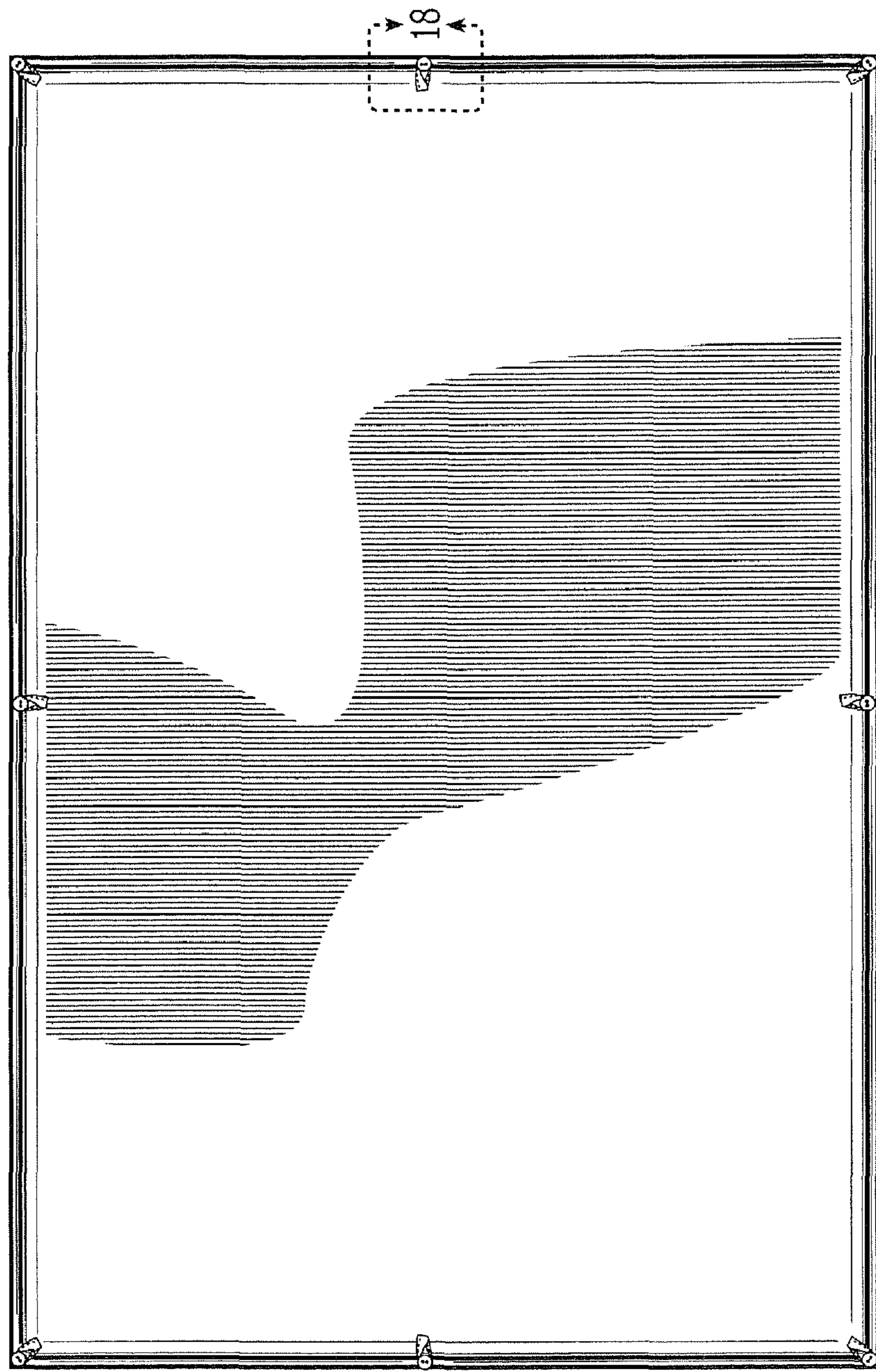


FIG. 12



FIG. 14



FIG. 13



FIG. 16

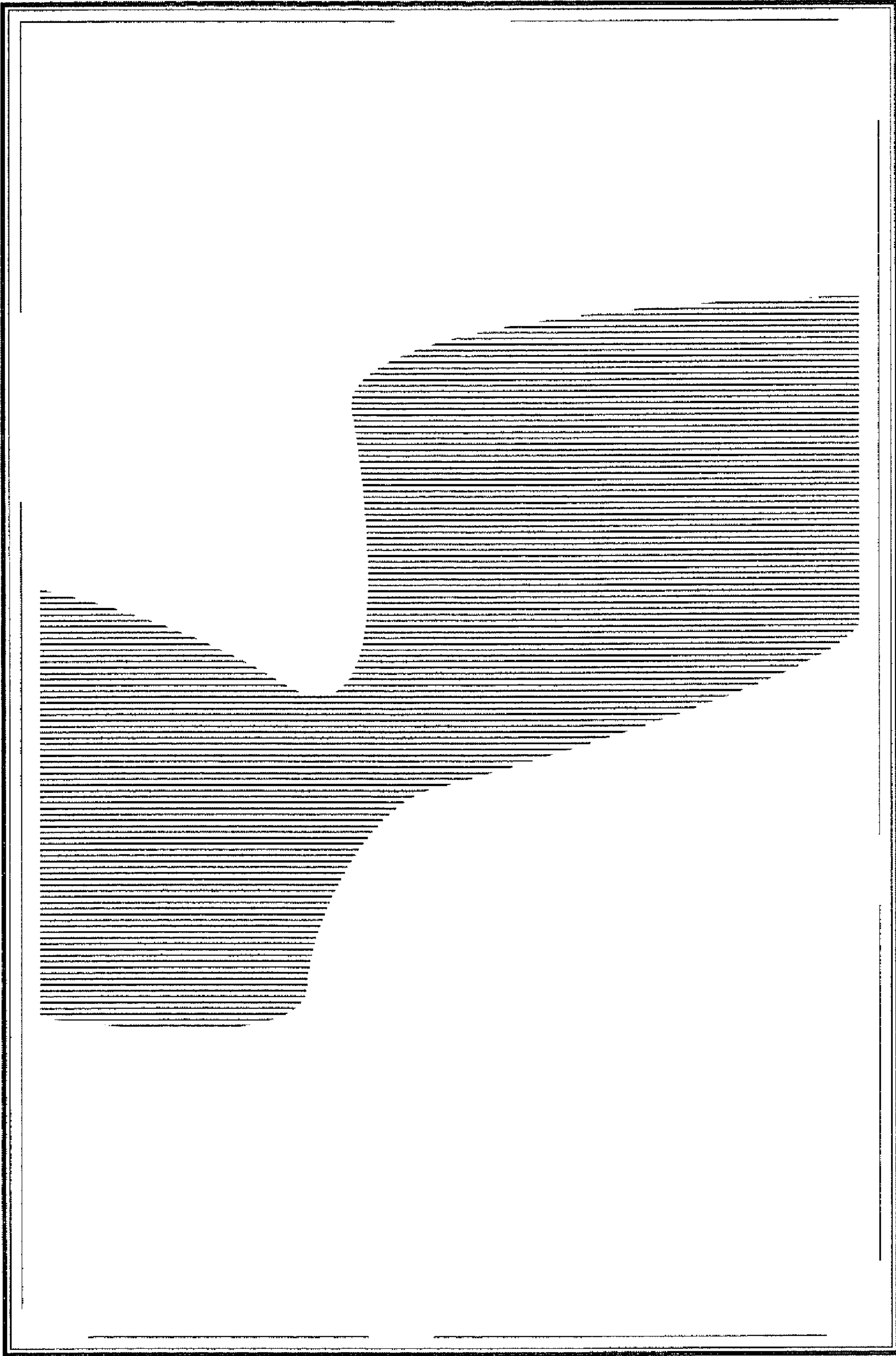


FIG. 17

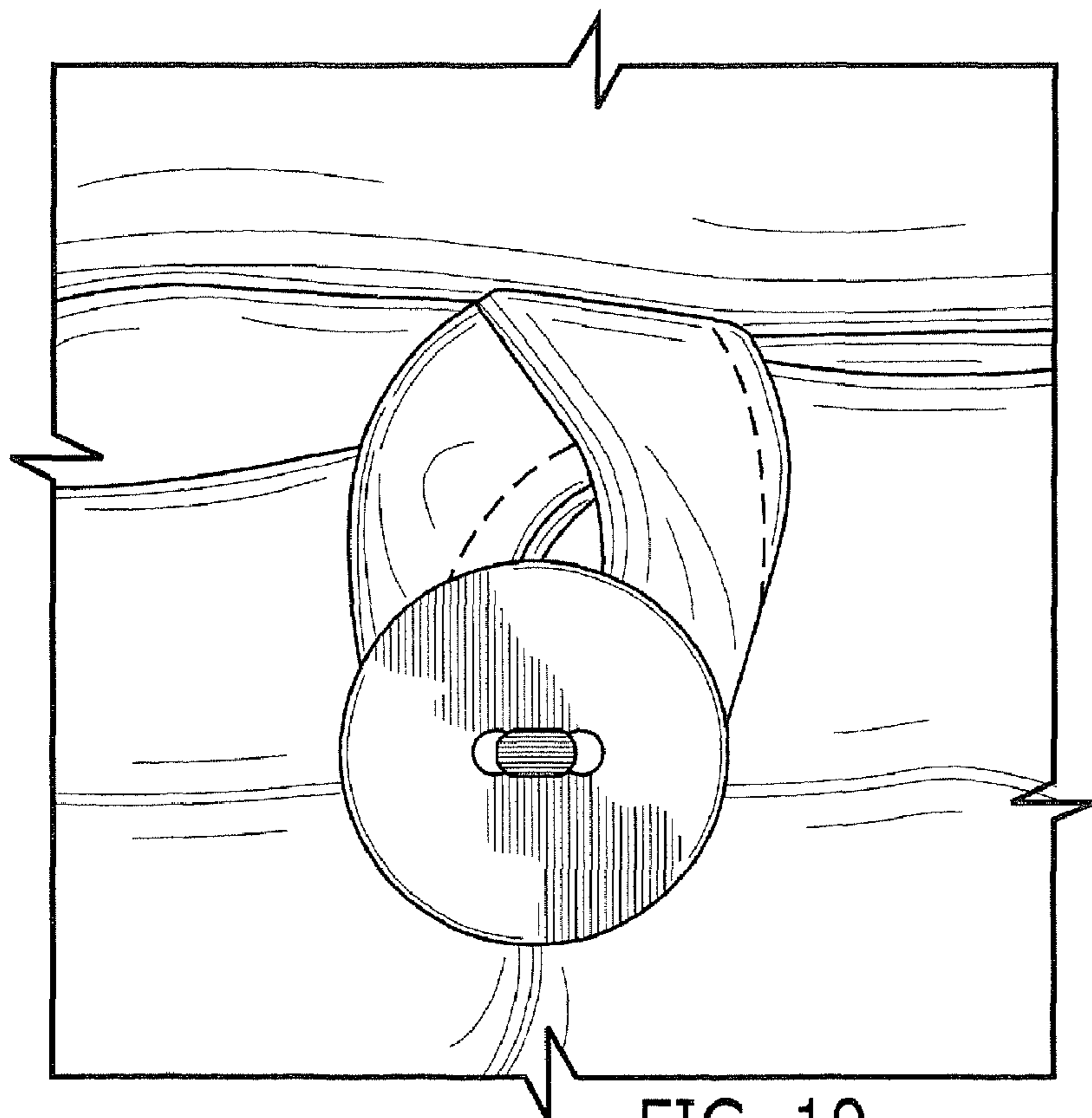
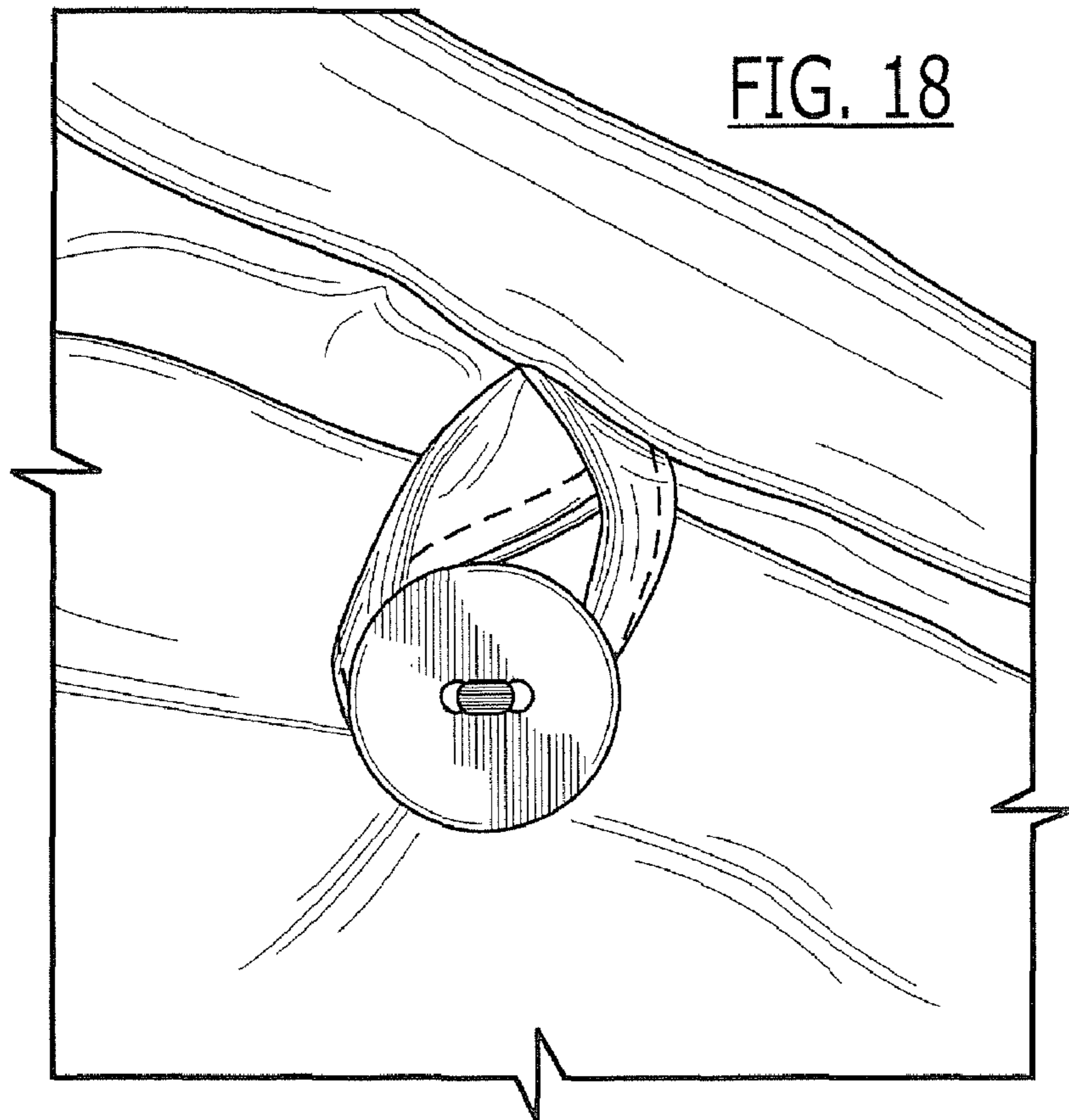


FIG. 19

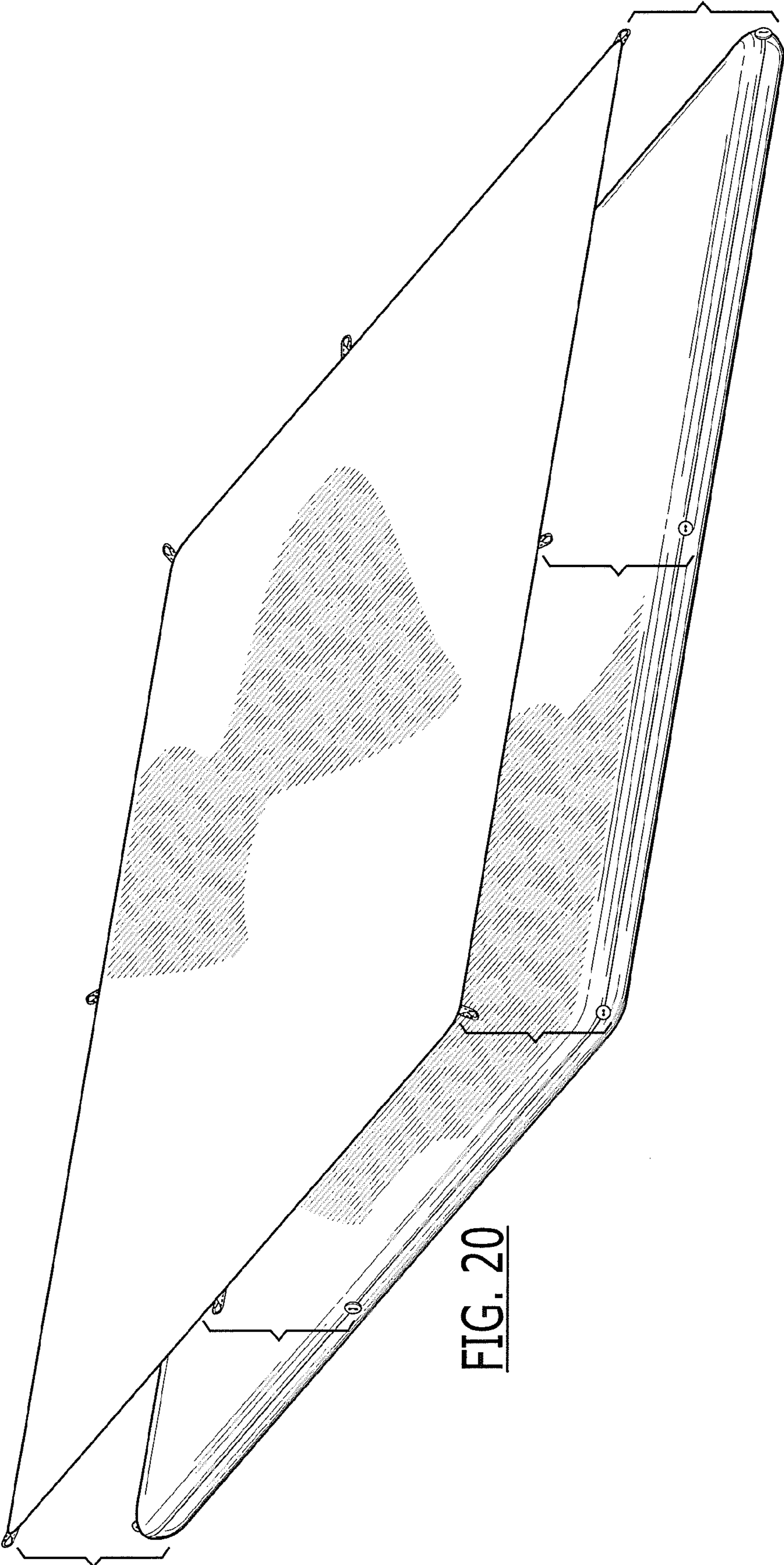


FIG. 20