



US00D629235S

(12) **United States Design Patent**
Opsvik

(10) **Patent No.:** **US D629,235 S**

(45) **Date of Patent:** **** Dec. 21, 2010**

(54) **SAFETY BOW**

(57) **CLAIM**

(75) Inventor: **Peter Opsvik**, Oslo (NO)

I claim the ornamental design for a safety bow, as shown and described.

(73) Assignee: **Peter Opsvik AS**, Oslo (NO)

(**) Term: **14 Years**

DESCRIPTION

(21) Appl. No.: **29/356,085**

(22) Filed: **Feb. 19, 2010**

Related U.S. Application Data

(63) Continuation-in-part of application No. 29/321,096, filed on Jul. 10, 2008, now abandoned.

(51) **LOC (9) Cl.** **06-01**

(52) **U.S. Cl.** **D6/500**

(58) **Field of Classification Search** D6/333, D6/335, 339, 491, 500-502; D12/129; D21/412, D21/419; 280/30, 31; 5/94, 98.1, 99.1, 101, 5/102, 105, 655; 297/183.1, 183.2, 183.3, 297/183.4, 184.13, 184.15, 184.17, 250.1, 297/255, 256.1, 256.15, 256.16
See application file for complete search history.

FIG. 1 is a front isometric view of a safety bow according to a first embodiment of the invention.

FIG. 2 is a rear isometric view of the embodiment of FIG. 1.

FIG. 3 is a bottom plan view of the embodiment of FIG. 1.

FIG. 4 is a top plan view of the embodiment of FIG. 1.

FIG. 5 is a front elevation view of the embodiment of FIG. 1.

FIG. 6 is a rear elevation view of the embodiment of FIG. 1.

FIG. 7 is left elevation view of the embodiment of FIG. 1.

FIG. 8 is a right elevation view of the embodiment of FIG. 1.

FIG. 9 is a front isometric view of a safety bow according to a second embodiment of the invention.

FIG. 10 is a rear isometric view of the embodiment of FIG. 9.

FIG. 11 is a bottom plan view of the embodiment of FIG. 9.

FIG. 12 is a top plan view of the embodiment of FIG. 9.

FIG. 13 is a front elevation view of the embodiment of FIG. 9.

FIG. 14 is a rear elevation view of the embodiment of FIG. 9.

FIG. 15 is left elevation view of the embodiment of FIG. 9; and,

FIG. 16 is a right elevation view of the embodiment of FIG. 9.

The stippling and shading lines shown in the drawing(s) represent the approximate three-dimensional contour of the design, and are not intended to indicate surface decoration.

(56) **References Cited**

U.S. PATENT DOCUMENTS

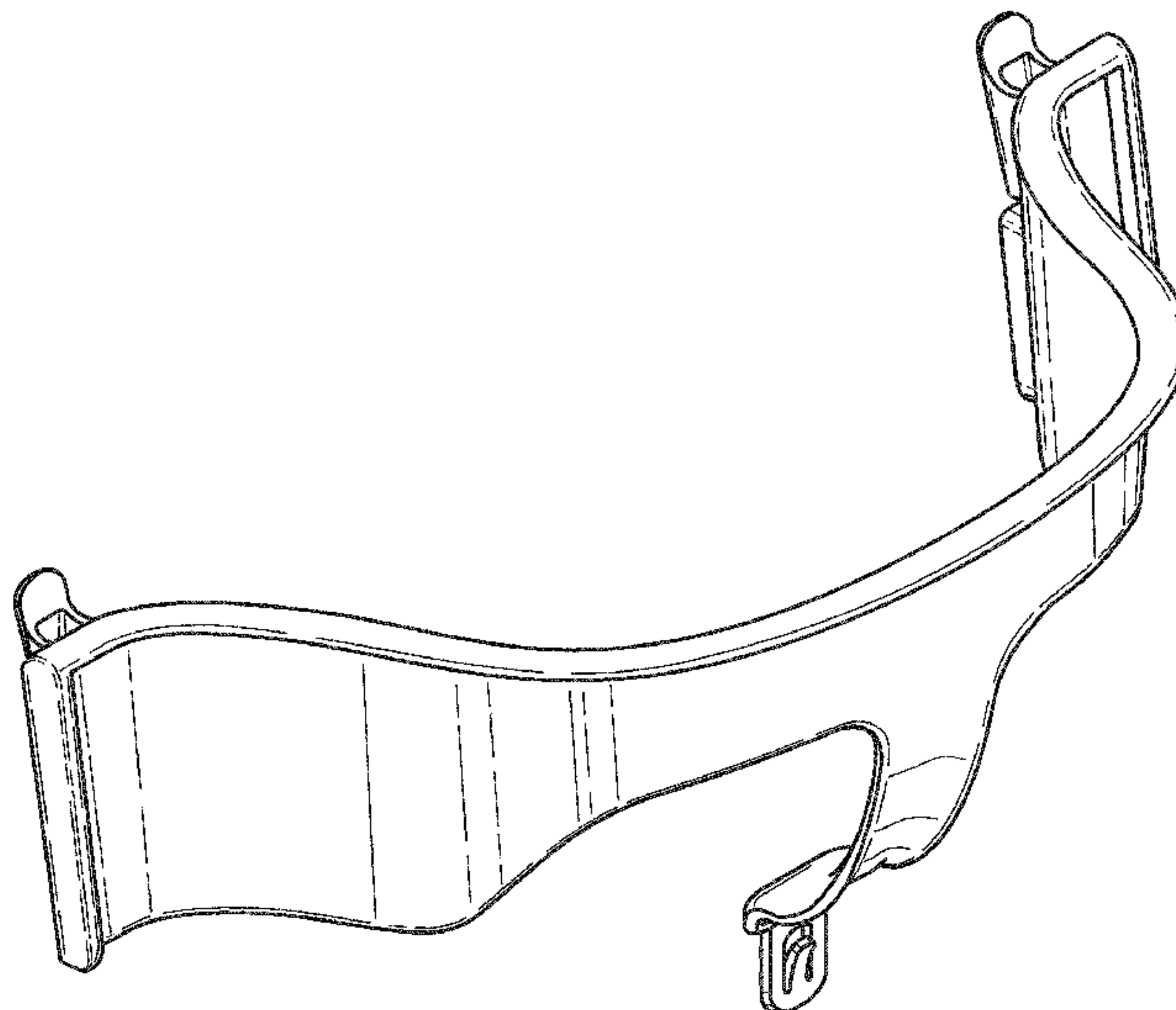
| | | | |
|---------------|---------|----------------------|---------|
| 4,679,852 A | 7/1987 | Anthony et al. | |
| D311,281 S | 10/1990 | Meeker | |
| D315,453 S | 3/1991 | Takada | |
| D334,847 S | 4/1993 | Takahashi et al. | |
| D338,343 S | 8/1993 | Grange | |
| D342,616 S | 12/1993 | Gunji et al. | |
| 5,387,028 A * | 2/1995 | Fulgenzi et al. | 297/470 |

(Continued)

Primary Examiner—Sandra Snapp

(74) Attorney, Agent, or Firm—Kolisch Hartwell, PC

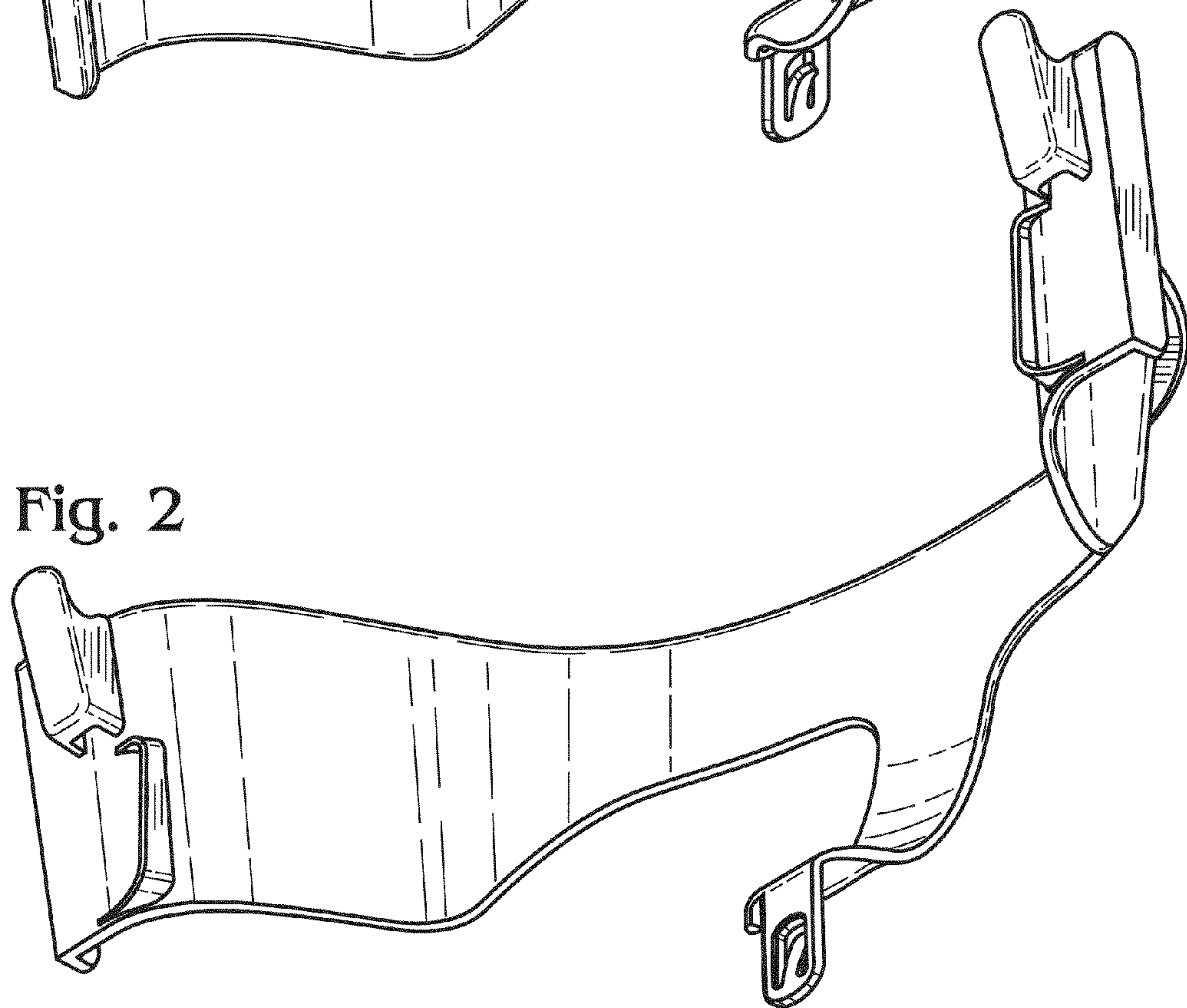
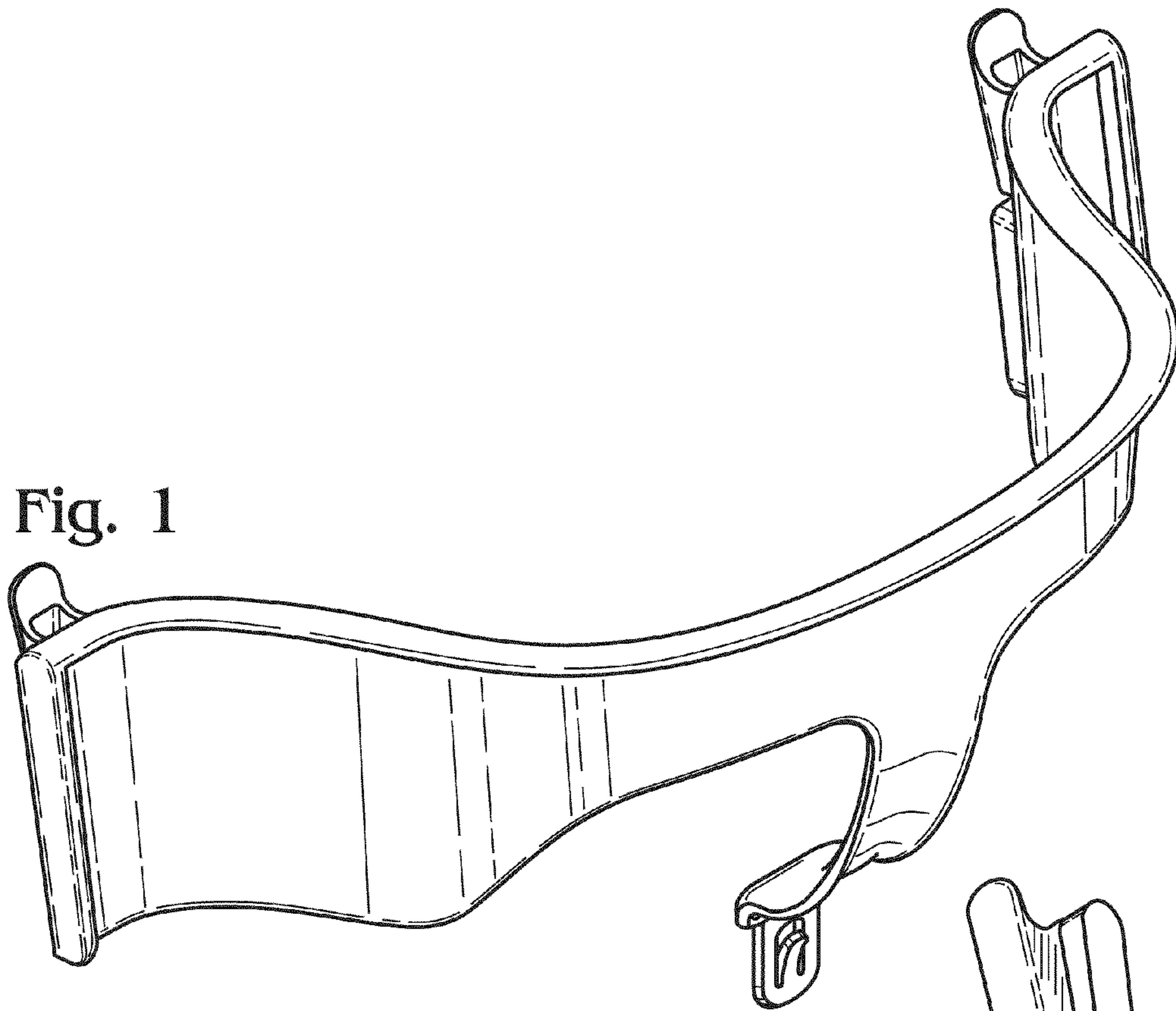
1 Claim, 8 Drawing Sheets



US D629,235 S

Page 2

| U.S. PATENT DOCUMENTS | | | |
|-----------------------|---------|--------------------|-------------------------------|
| D362,554 S | 9/1995 | Grundner | |
| D365,449 S | 12/1995 | Wood | |
| D366,979 S | 2/1996 | Opsvik | |
| D371,248 S | 7/1996 | Niessen et al. | |
| 5,549,356 A | 8/1996 | Grey | |
| D374,578 S * | 10/1996 | Gibson et al. | D6/491 |
| | | | * cited by examiner |
| | | 5,645,317 A | 7/1997 Onishi et al. |
| | | 5,683,238 A * | 11/1997 Snyder 431/8 |
| | | D392,479 S | 3/1998 Celestina-Krevh et al. |
| | | D408,961 S * | 5/1999 Myers D2/639 |
| | | D556,477 S | 12/2007 Opsvik |
| | | 2002/0167214 A1 | 11/2002 Nelson et al. |



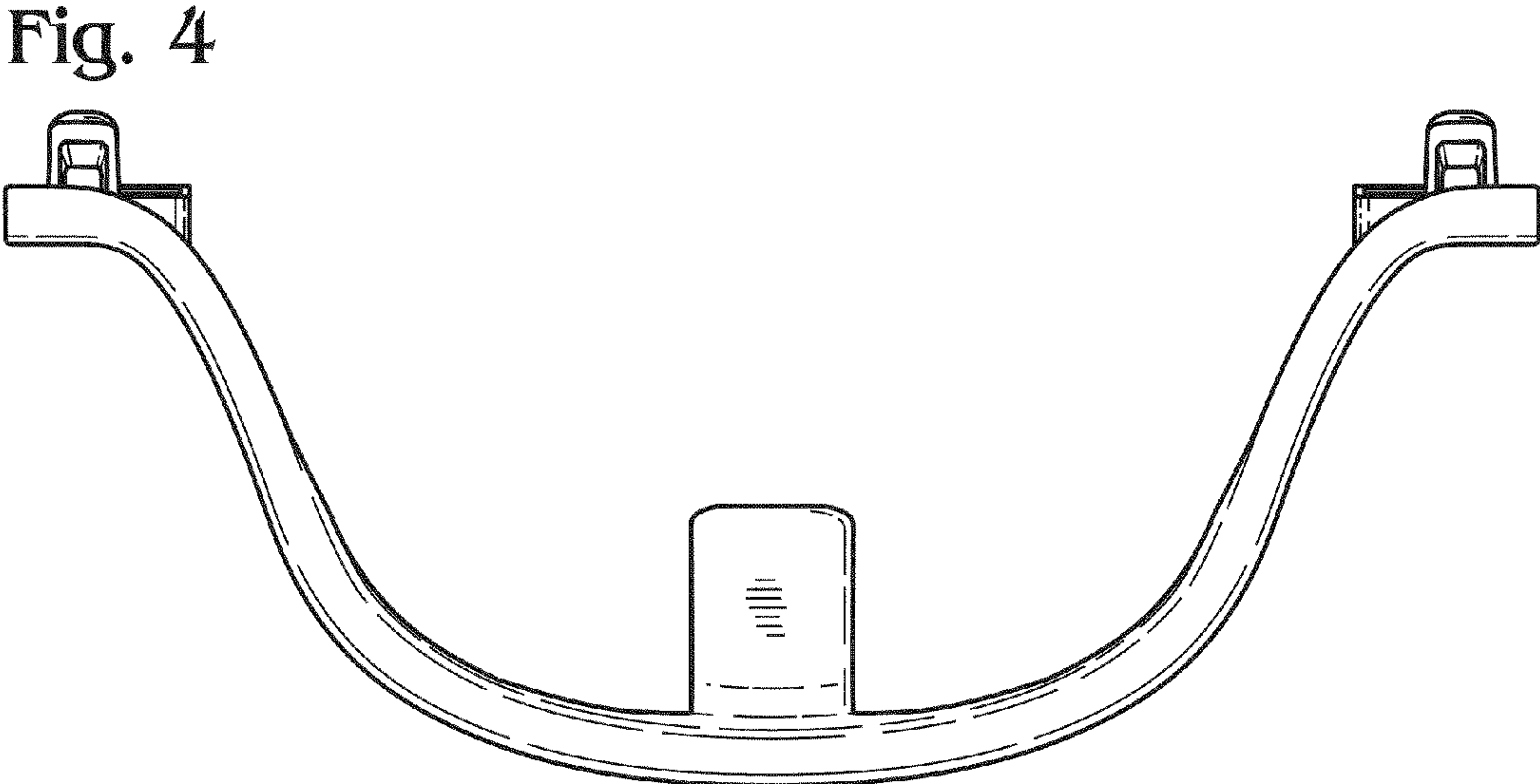
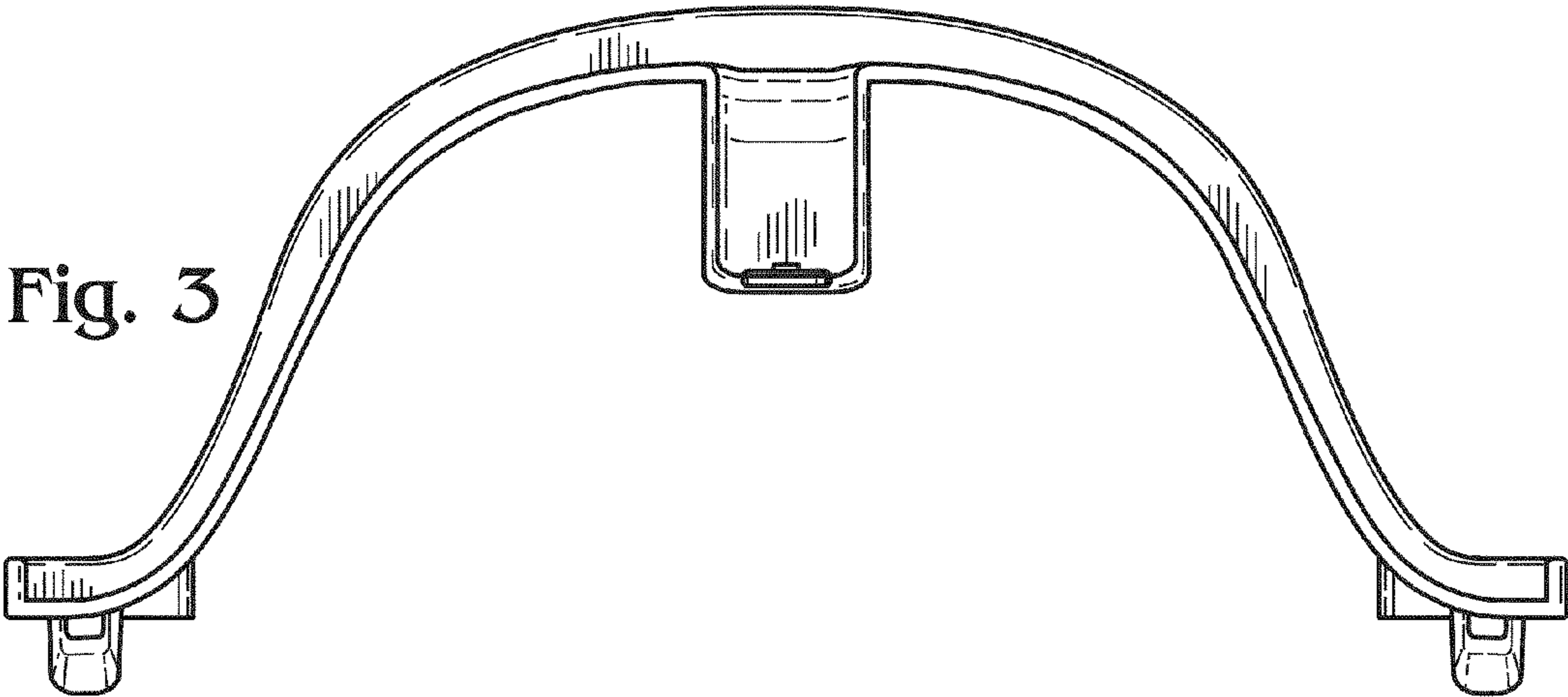


Fig. 5

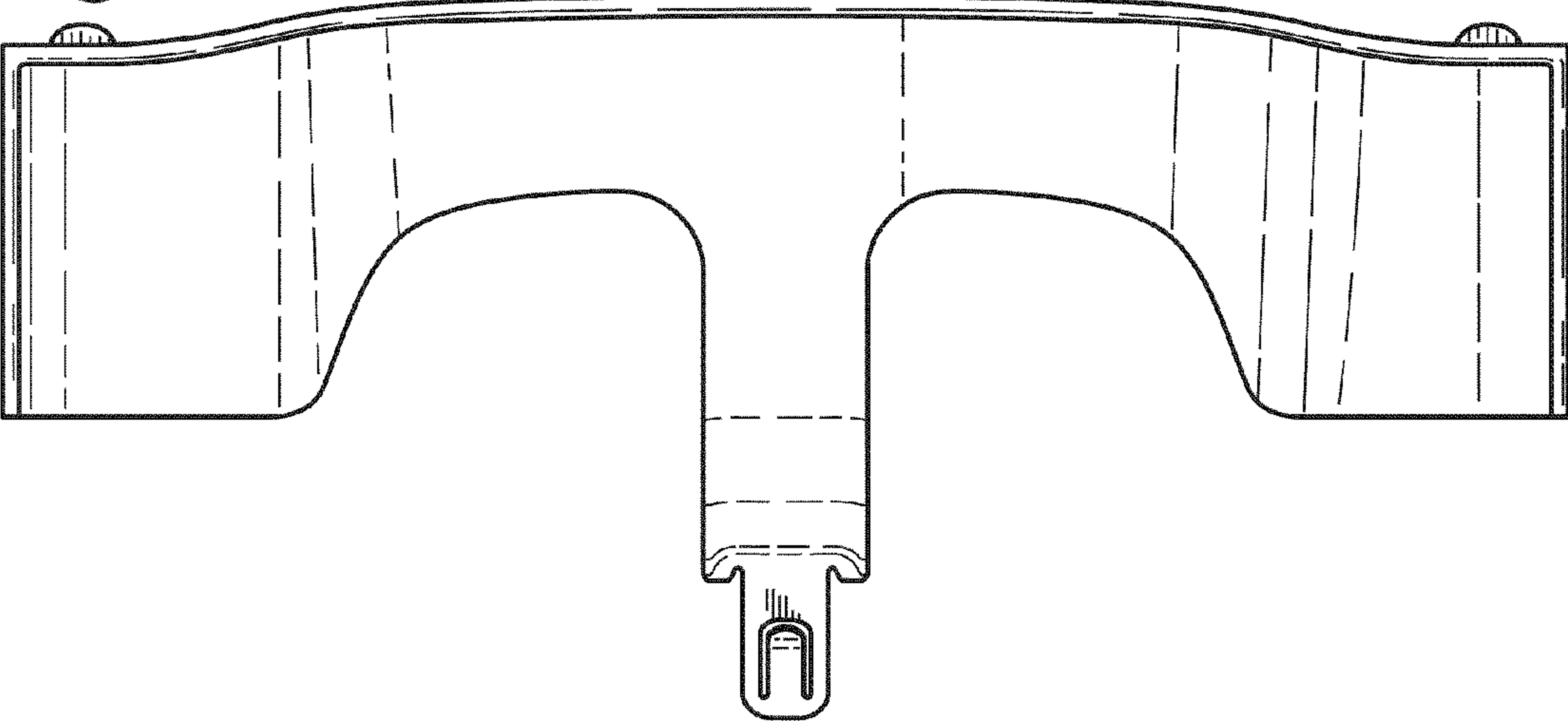


Fig. 6

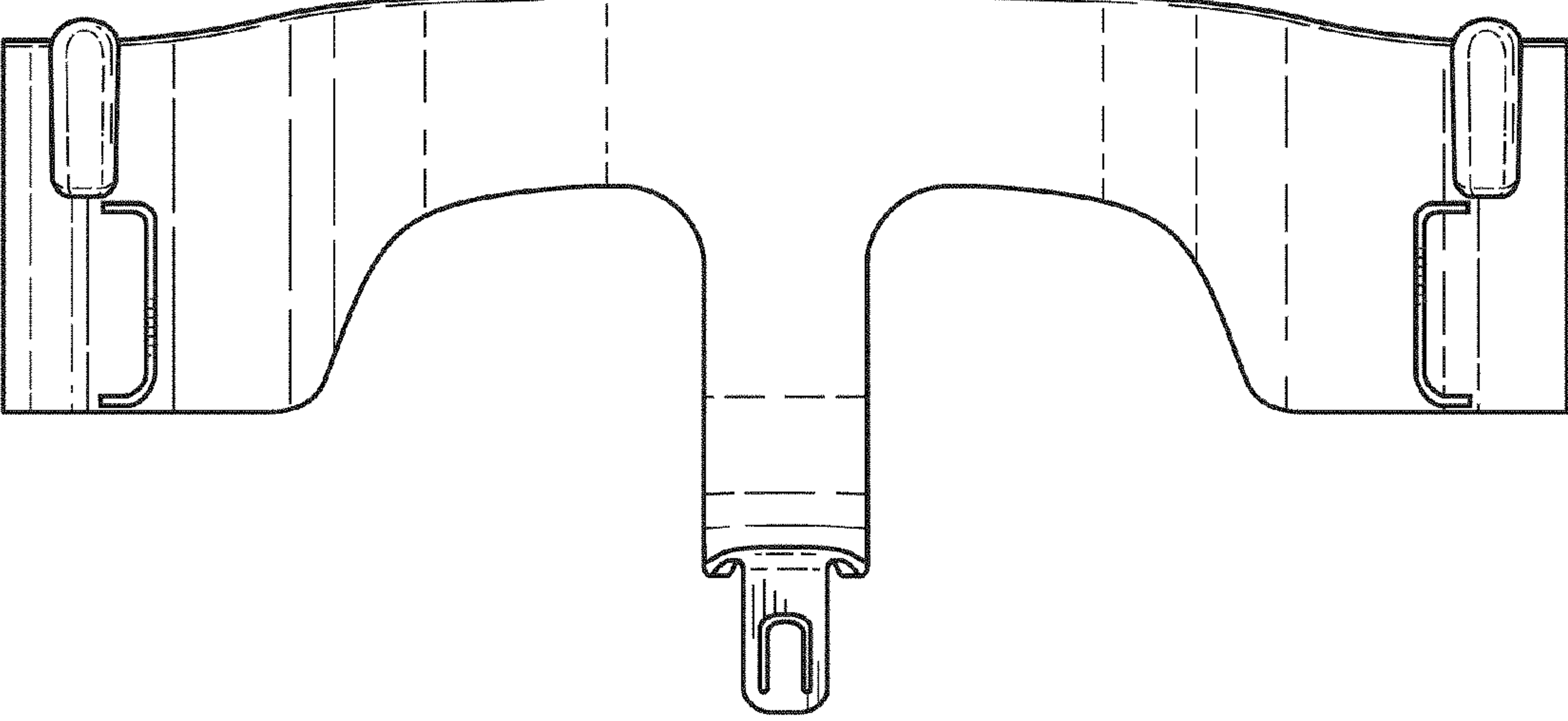


Fig. 7

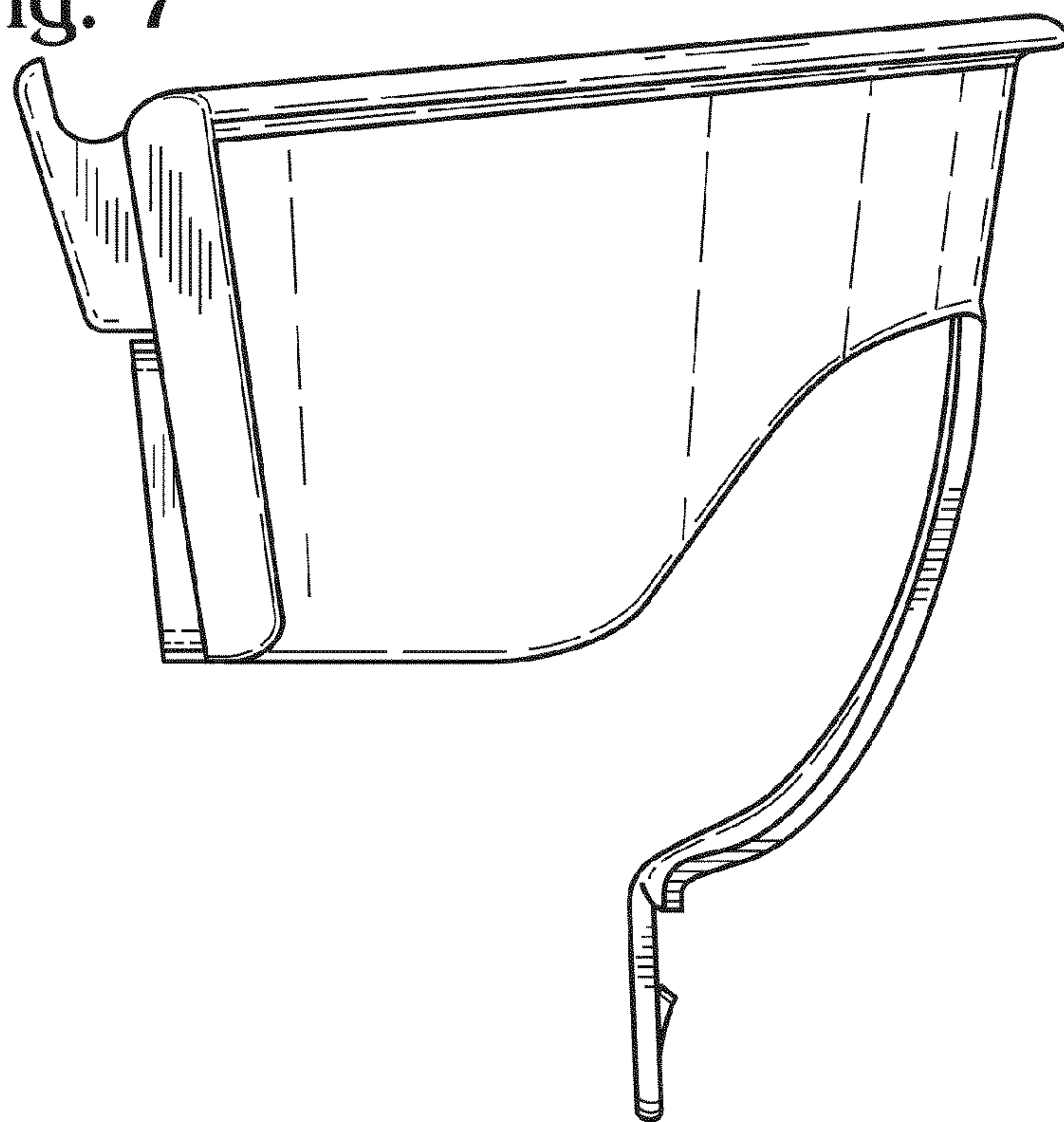


Fig. 8

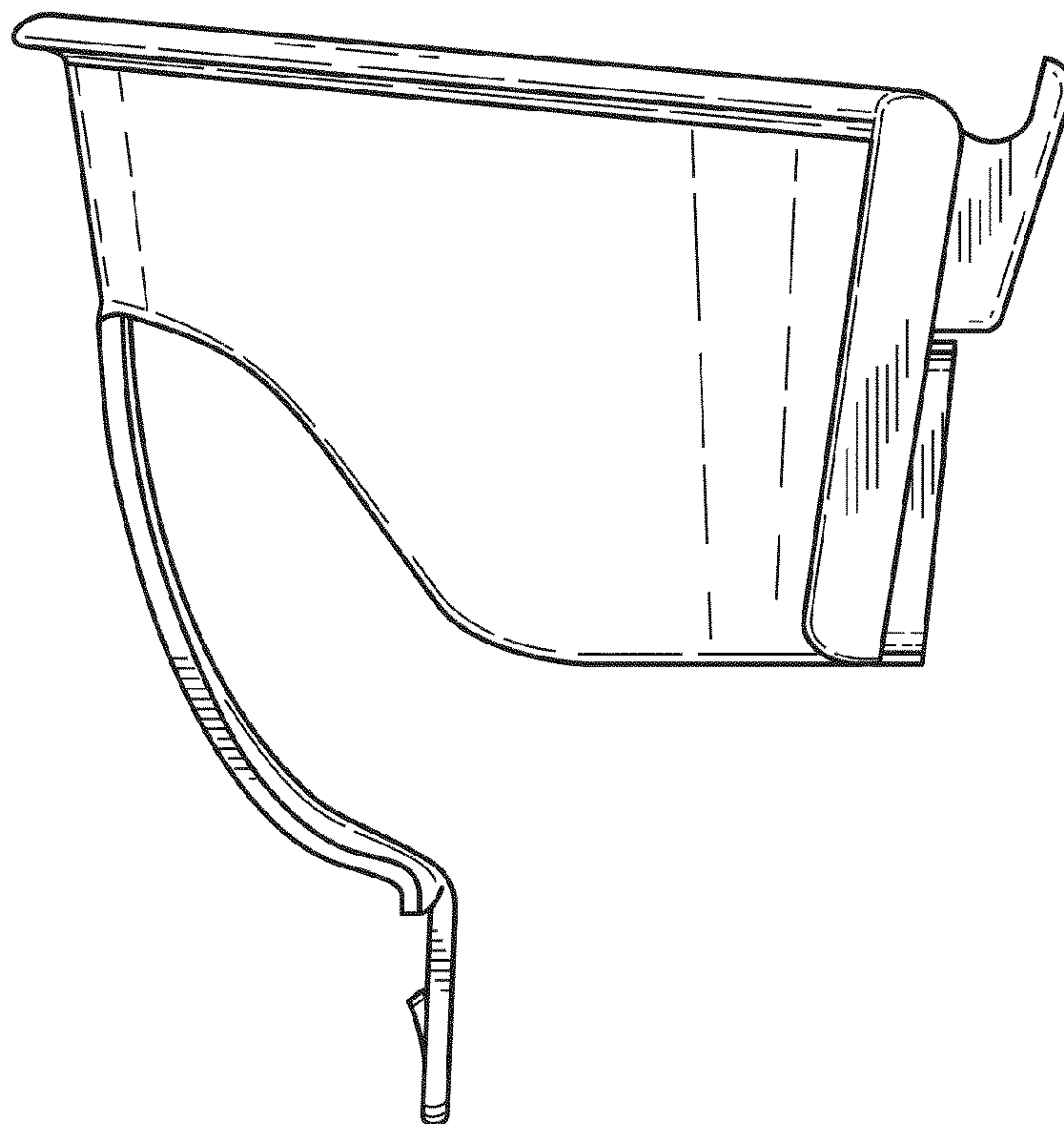


Fig. 9

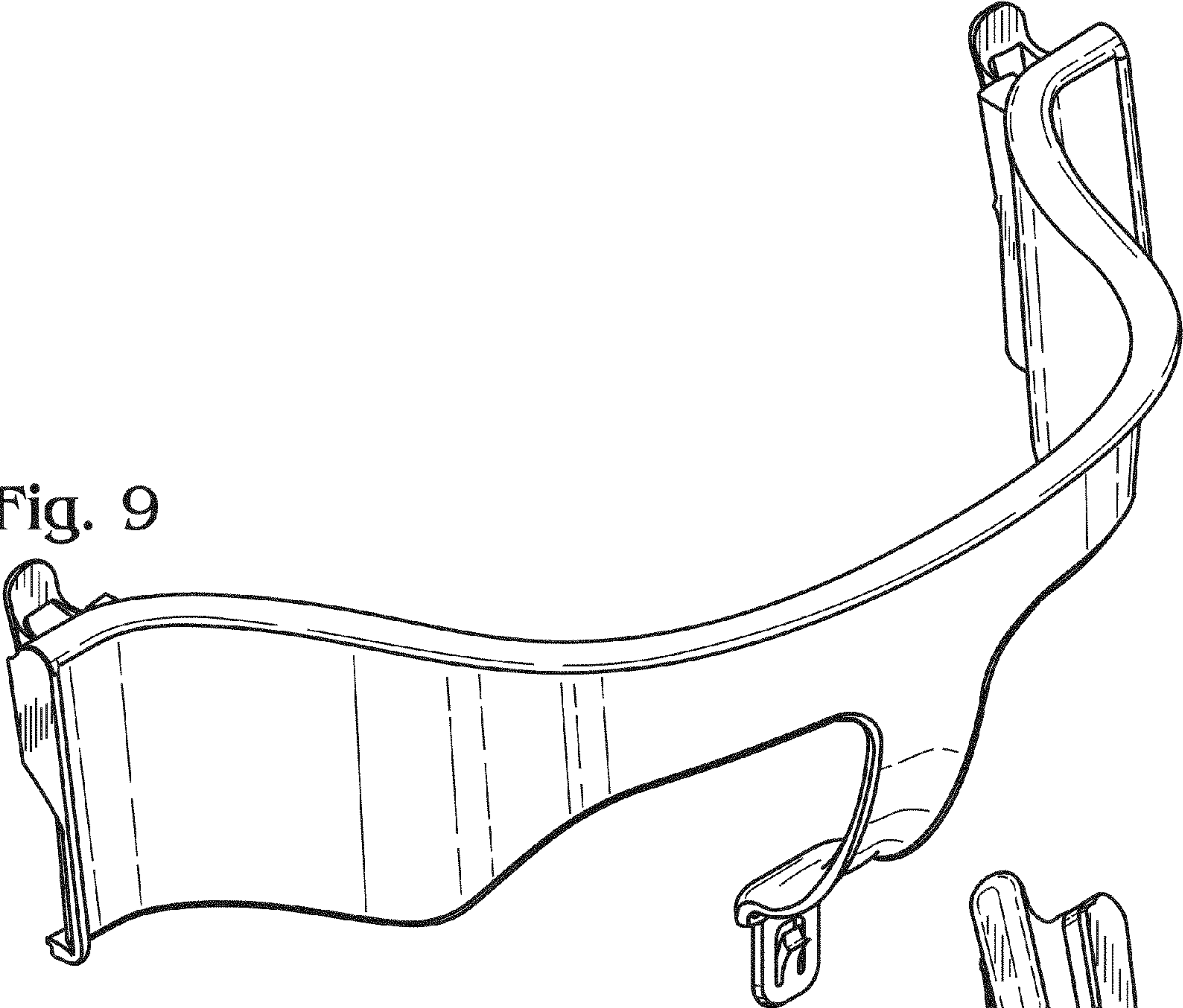
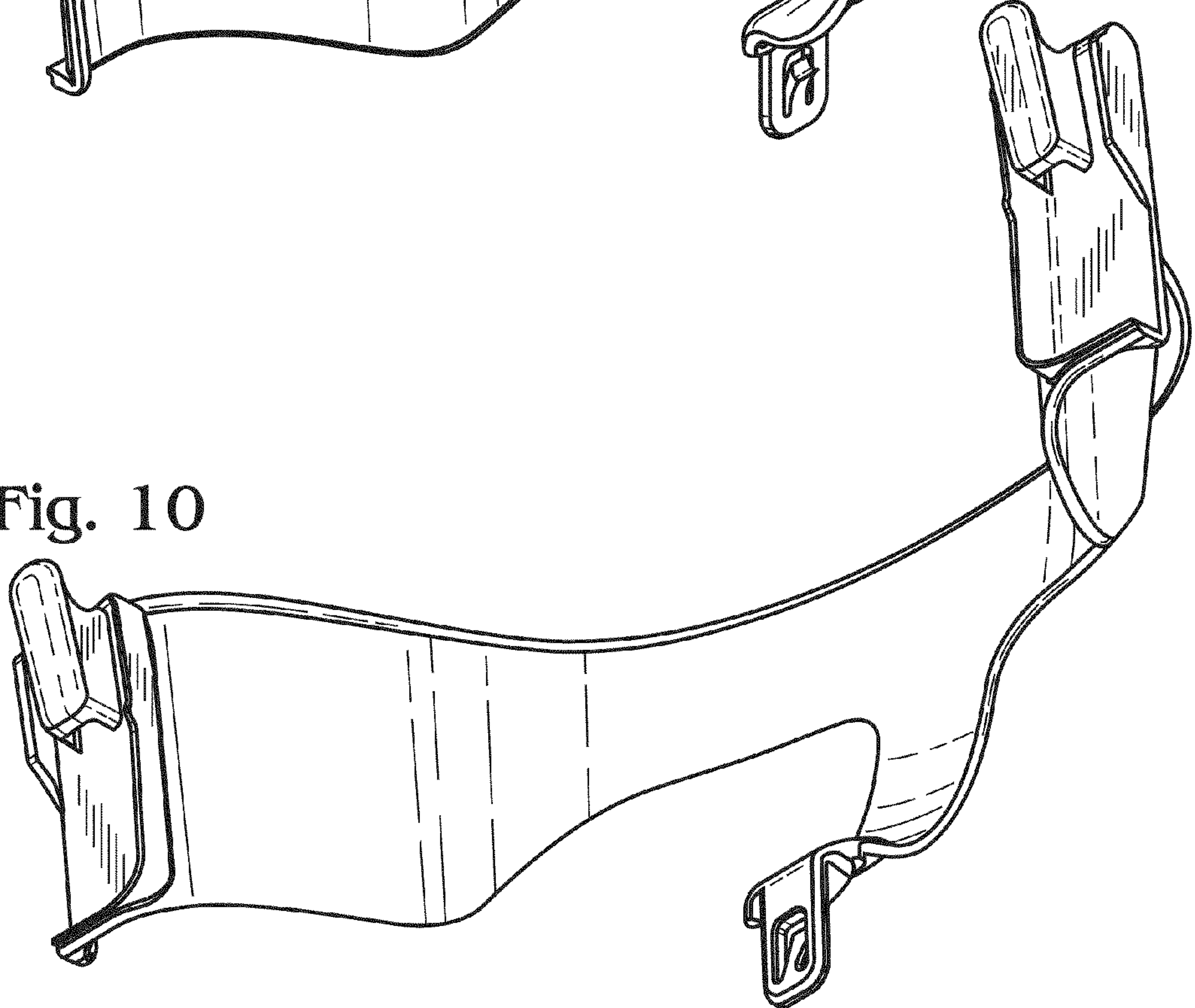


Fig. 10



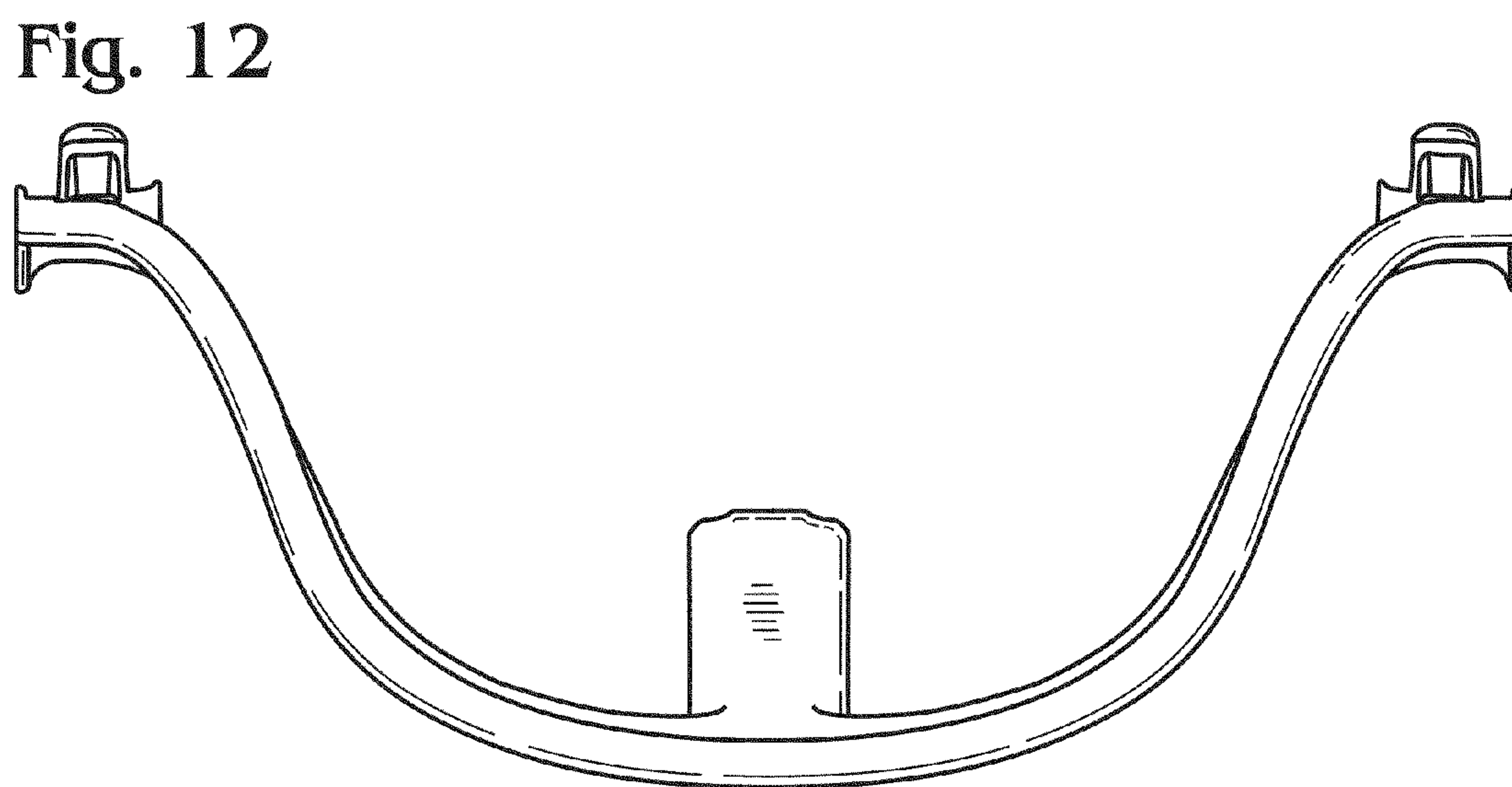
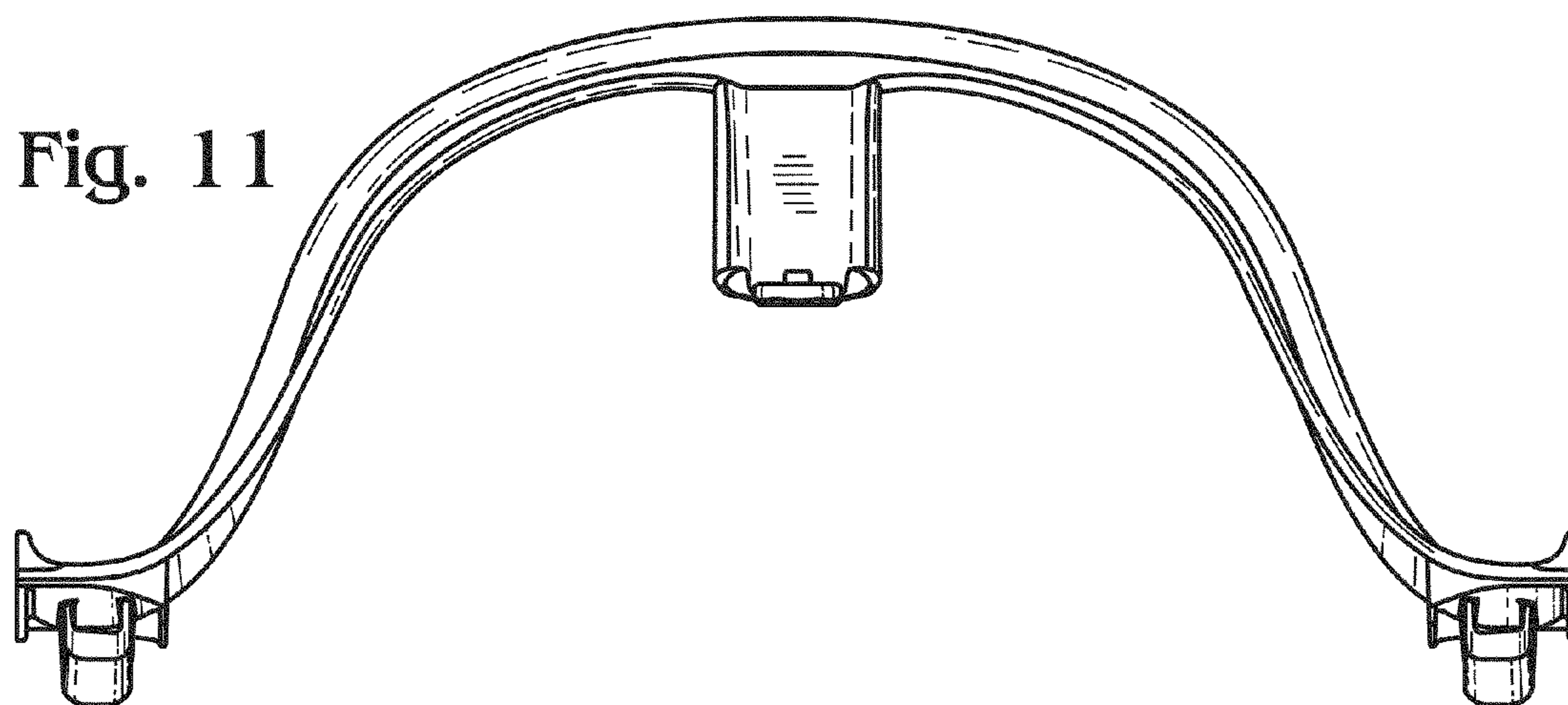


Fig. 13

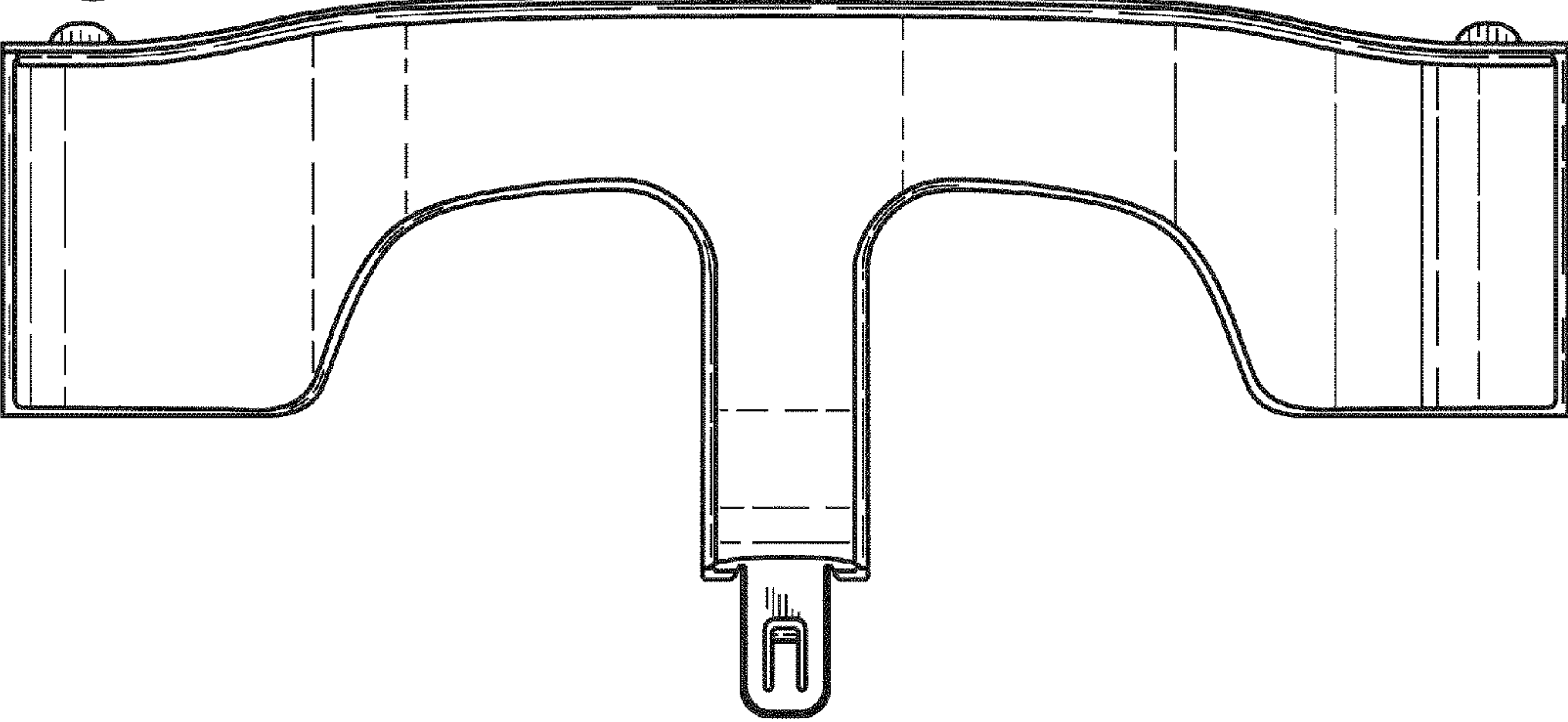


Fig. 14

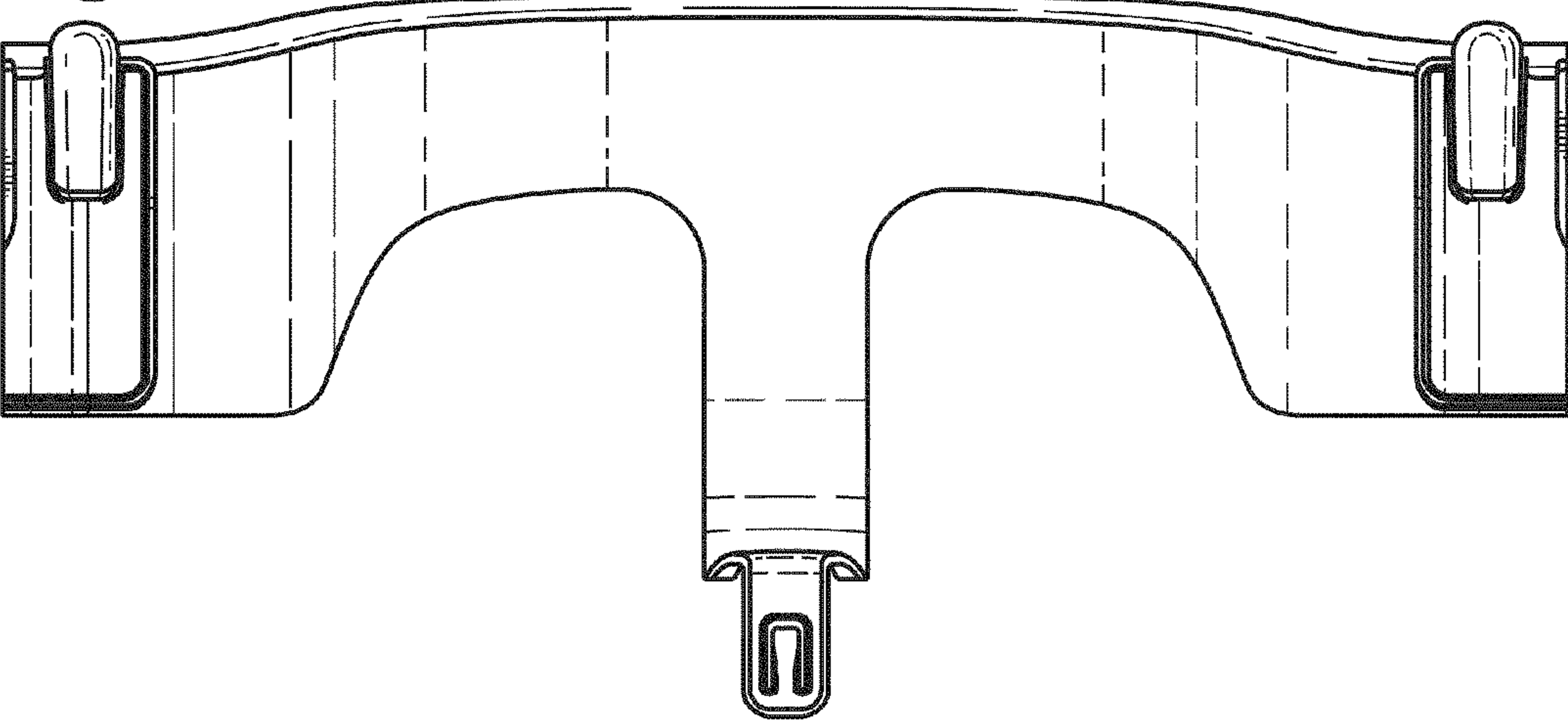


Fig. 15

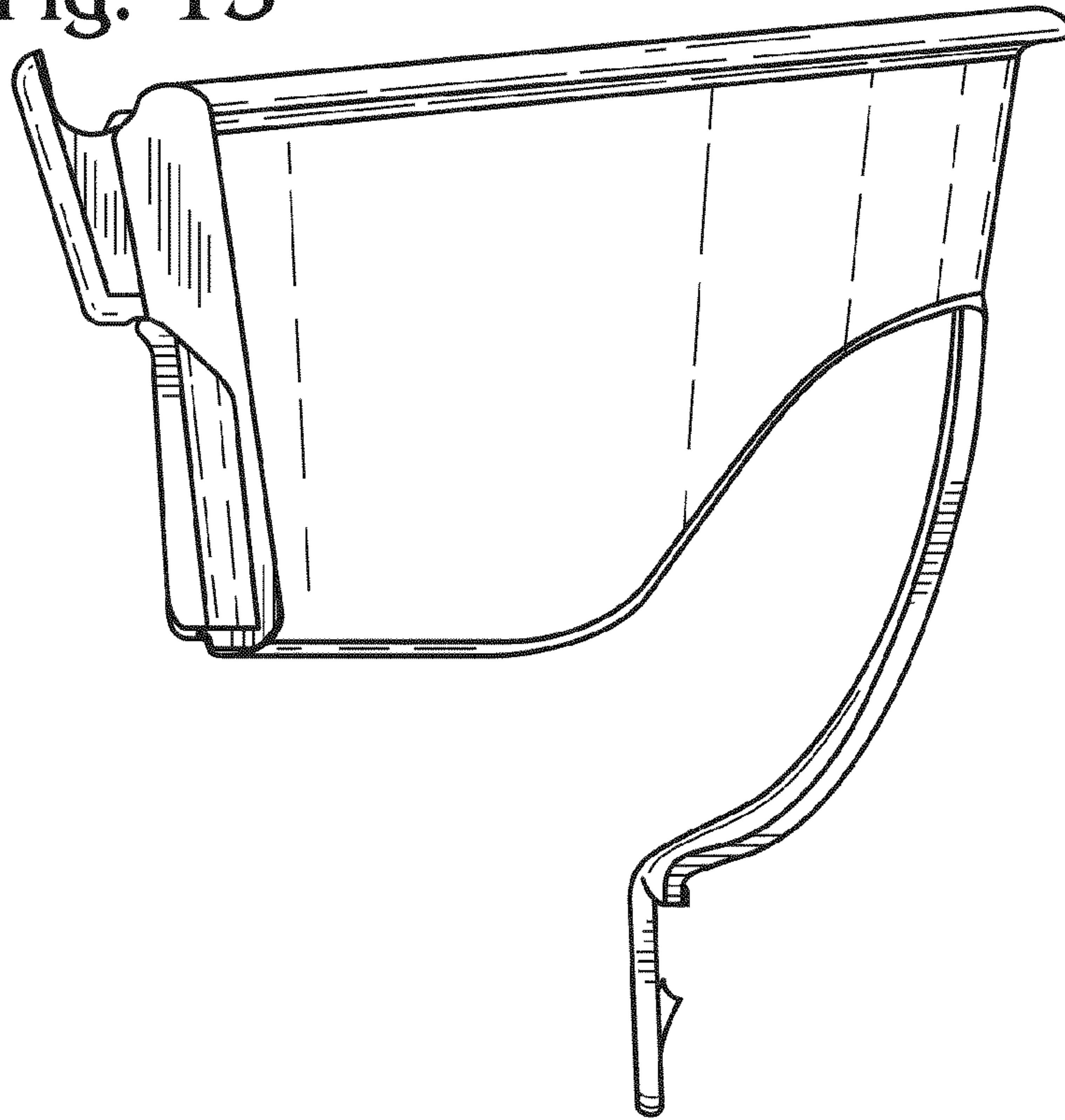


Fig. 16

