



US00D629233S

(12) **United States Design Patent**
Slear et al.

(10) **Patent No.:** **US D629,233 S**
(45) **Date of Patent:** **** Dec. 21, 2010**

(54) **BENCH**

(75) Inventors: **Carl A. Slear**, Butler, PA (US); **Heather A. Starcher**, Butler, PA (US); **Brett J. Ripper**, Chicora, PA (US); **Angela M. Maloney**, Cranberry Township, PA (US)

(73) Assignee: **Keystone Ridge Designs, Inc.**, Butler, PA (US)

(**) Term: **14 Years**

(21) Appl. No.: **29/341,406**

(22) Filed: **Aug. 5, 2009**

(51) **LOC (9) Cl.** **06-01**

(52) **U.S. Cl.** **D6/492**

(58) **Field of Classification Search** D6/334,
D6/336, 361, 369, 374, 381, 492, 495, 500-502;
297/63, 94, 232, 233, 248, 283.1, 283.2,
297/535, 354.1, 445.1, 446.1, 448.1; 5/12.1,
5/12.2

See application file for complete search history.

(56) **References Cited**

U.S. PATENT DOCUMENTS

D345,261 S	3/1994	Chen	
D366,773 S	2/1996	Yurk	
D383,615 S	9/1997	Skalka	
D386,012 S	11/1997	Skalka	
D408,660 S	4/1999	Donnelly	
D419,341 S	1/2000	Chipman	
D523,263 S	6/2006	Skalka	
D526,514 S *	8/2006	Hughes	D6/492
D526,805 S	8/2006	Skalka	
D530,535 S *	10/2006	Skalka	D6/366
D532,620 S	11/2006	Skalka	

D563,689 S	3/2008	Skalka	
D564,802 S *	3/2008	Weimer et al.	D6/492
D578,808 S *	10/2008	Pappas	D6/495

OTHER PUBLICATIONS

DuMor, Bench 160, <http://www.dumor.com/benches/steel-bench-160.shtml> (Oct. 15, 2006).
DuMor, Bench 168, <http://www.dumor.com/benches/bench-168.shtml> (Jan. 21, 2007).
TimberForm, Restoration Bench, http://www.timberform.com/site_rest_1.html (Nov. 27, 2007).

(Continued)

Primary Examiner—Sandra Snapp
(74) *Attorney, Agent, or Firm*—The Webb Law Firm

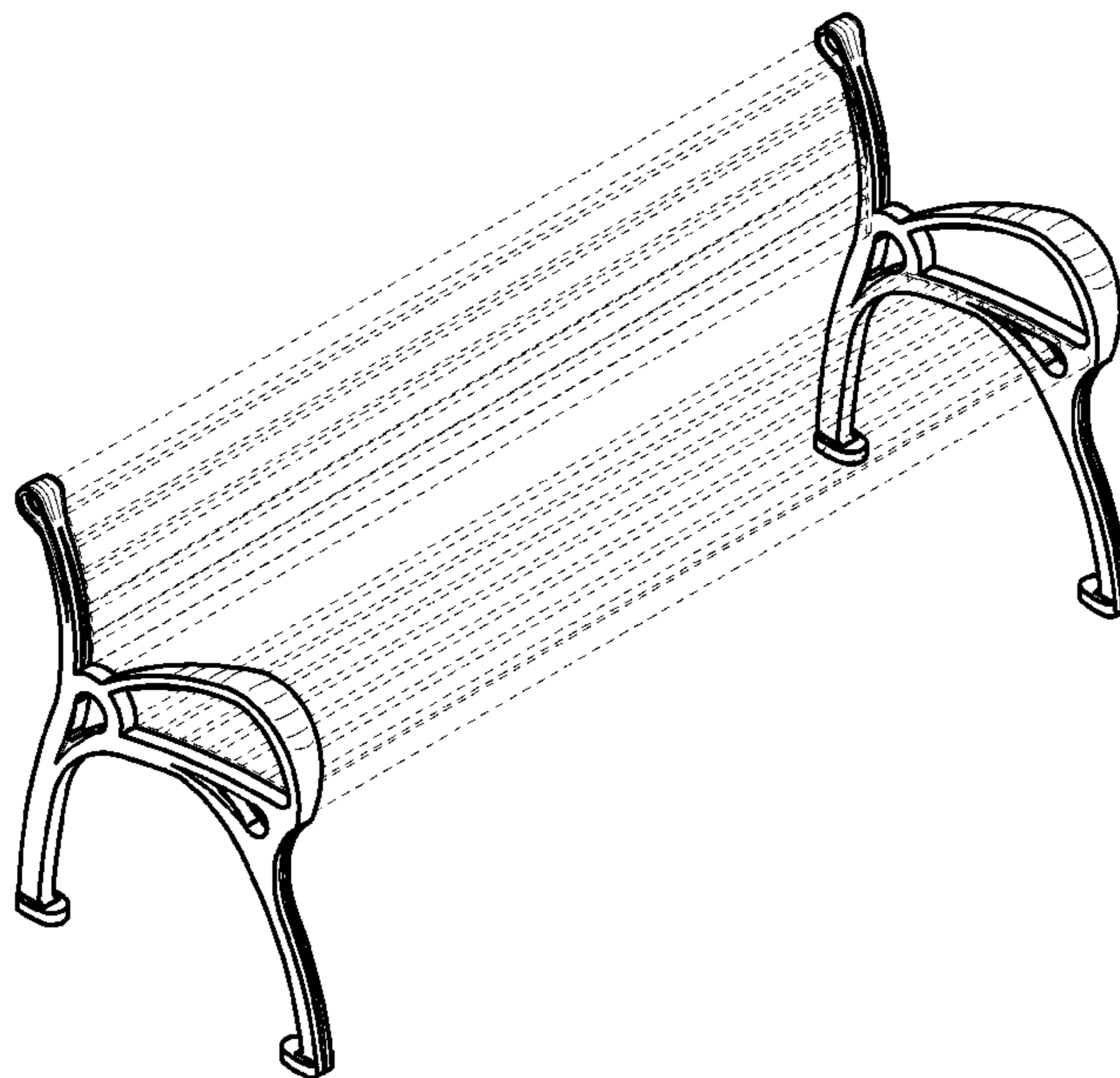
(57) **CLAIM**

The ornamental design for a bench, as shown and described.

DESCRIPTION

FIG. 1 is a front perspective view of a bench, in accordance with the present design;
FIG. 2 is a right side view of the bench shown in FIG. 1;
FIG. 3 is a left side view of the bench shown in FIG. 1;
FIG. 4 is a front view of the bench shown in FIG. 1;
FIG. 5 is a rear view of the bench shown in FIG. 1;
FIG. 6 is a top view of the bench shown in FIG. 1; and,
FIG. 7 is a bottom view of the bench shown in FIG. 1.
The broken lines shown in FIGS. 1, 4, 5, 6 and 7 depict slats extending between the ends of the bench, are included for environmental purposes only and form no part of the claimed design.

1 Claim, 7 Drawing Sheets



OTHER PUBLICATIONS

Thomas Steele, Cunningham Bench, <http://www.thomas-steele.com/Default.aspx?tabid=90&CategoryID=8&List=0&Level=a&ProductID=12> (2008).

Sitescapes, Westport Bench, http://www.sitescapesonline.com/benches_westport.asp (Feb. 1, 2008).

Urbanscape, Winchester Bench, <http://urbanscapefurniture.com/ProductDetails.aspx?line=WI&id=W11112C> (Jun. 29, 2007).

Urbanscape, Butler Bench, <http://urbanscapefurniture.com/ProductDetails.aspx?line=BU&id=BU1114C> (Jun. 29, 2007).

Canterbury International, 1969 Park Bench, http://www.canterburyintl.com/metal_1969.shtml (Sep. 7, 2007).

* cited by examiner

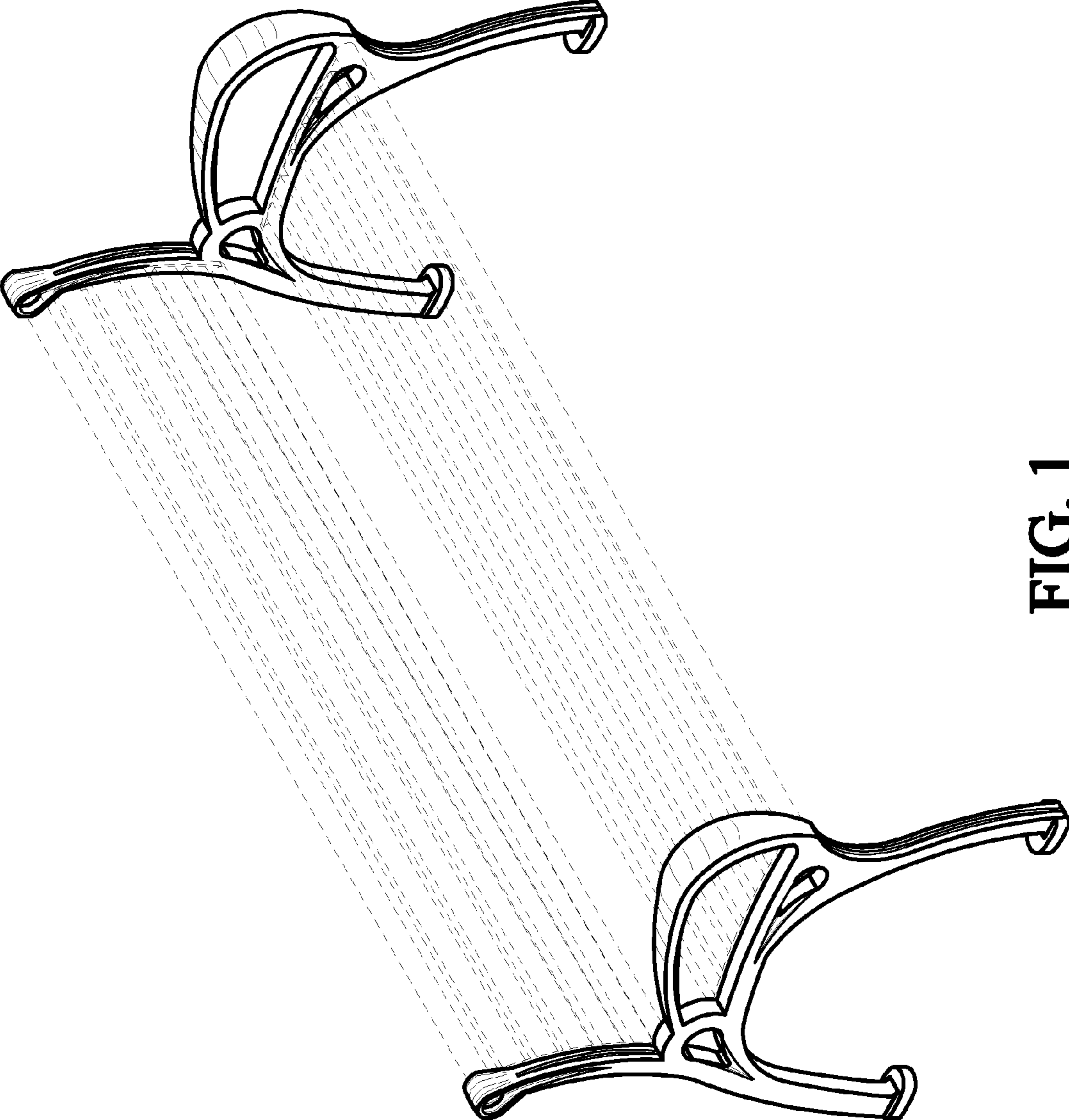


FIG. 1

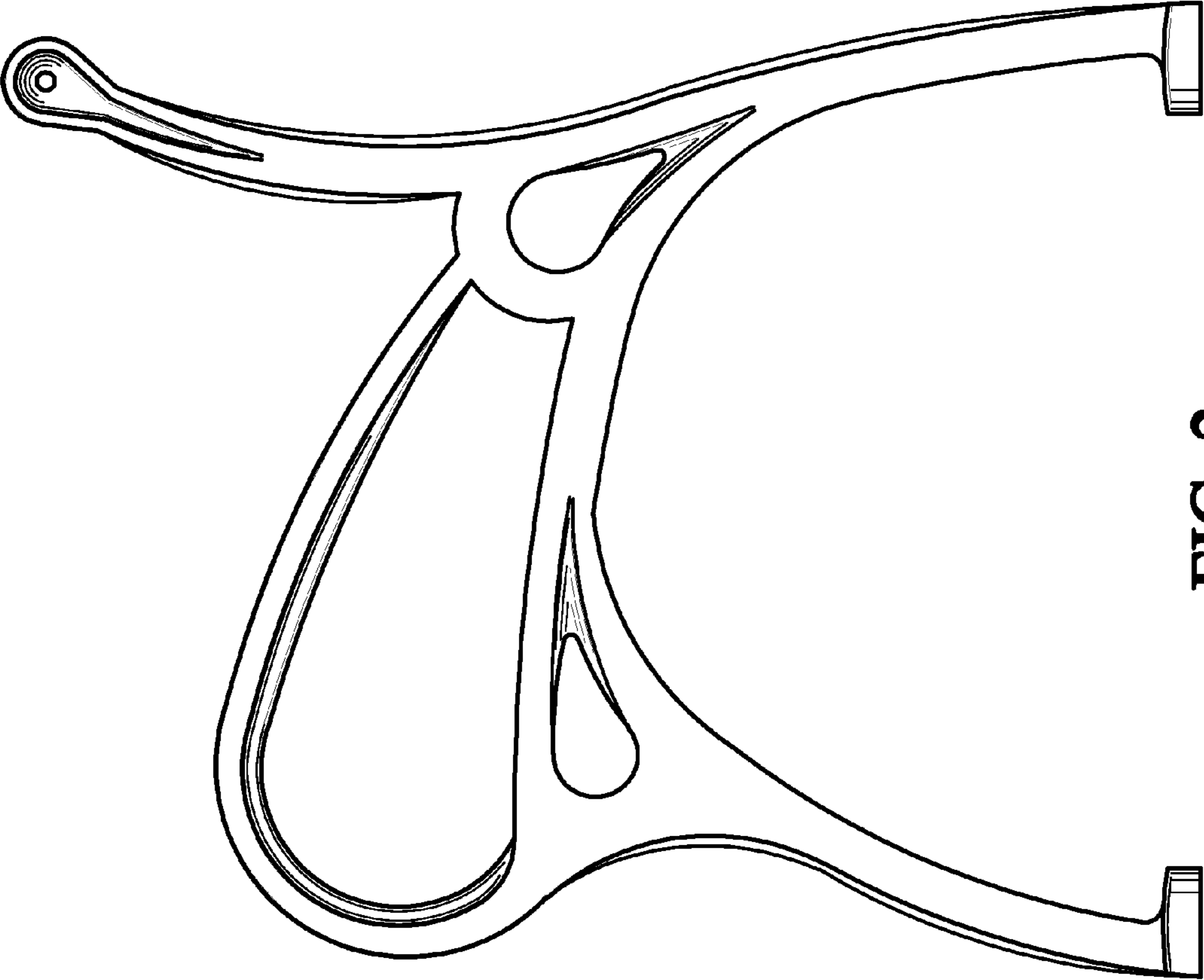


FIG. 2

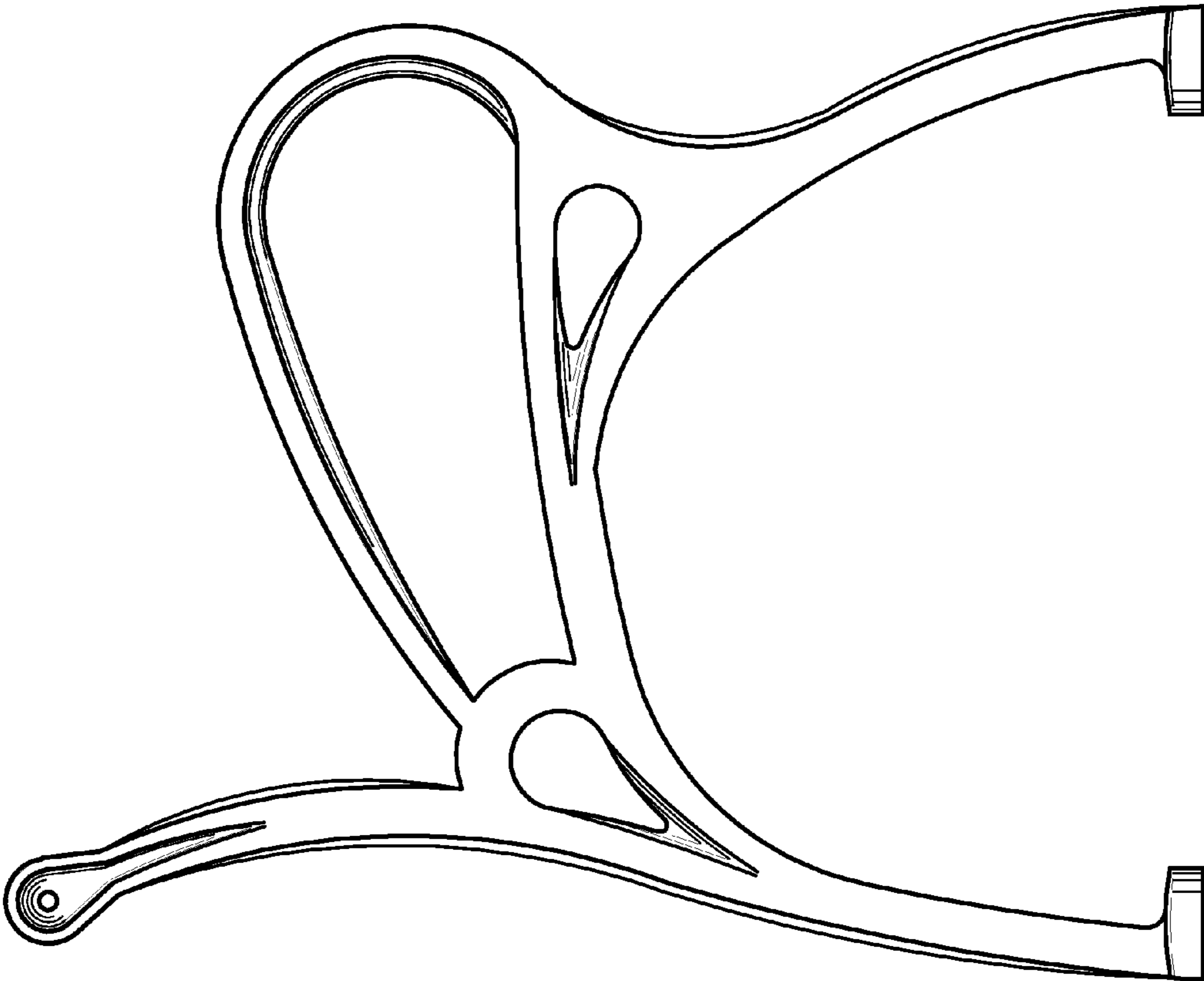


FIG. 3

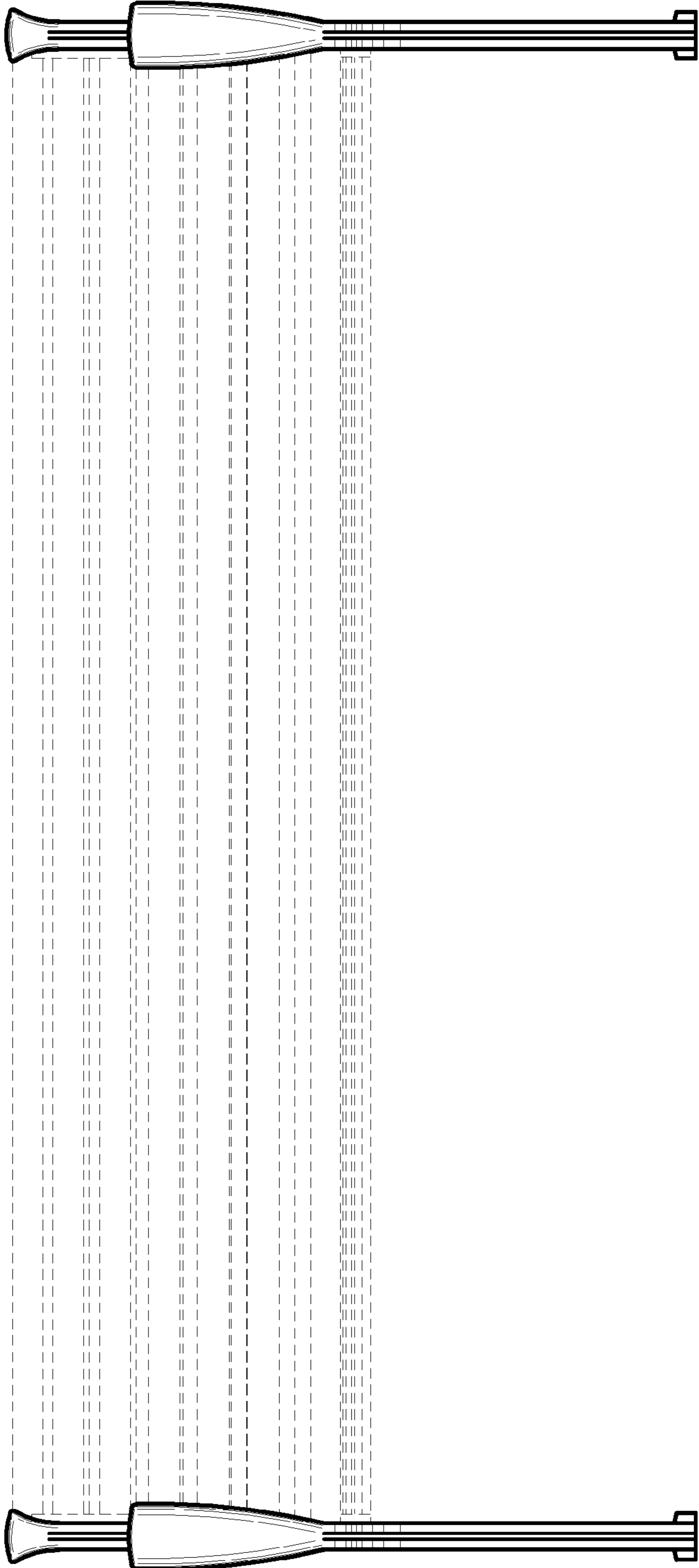


FIG. 4

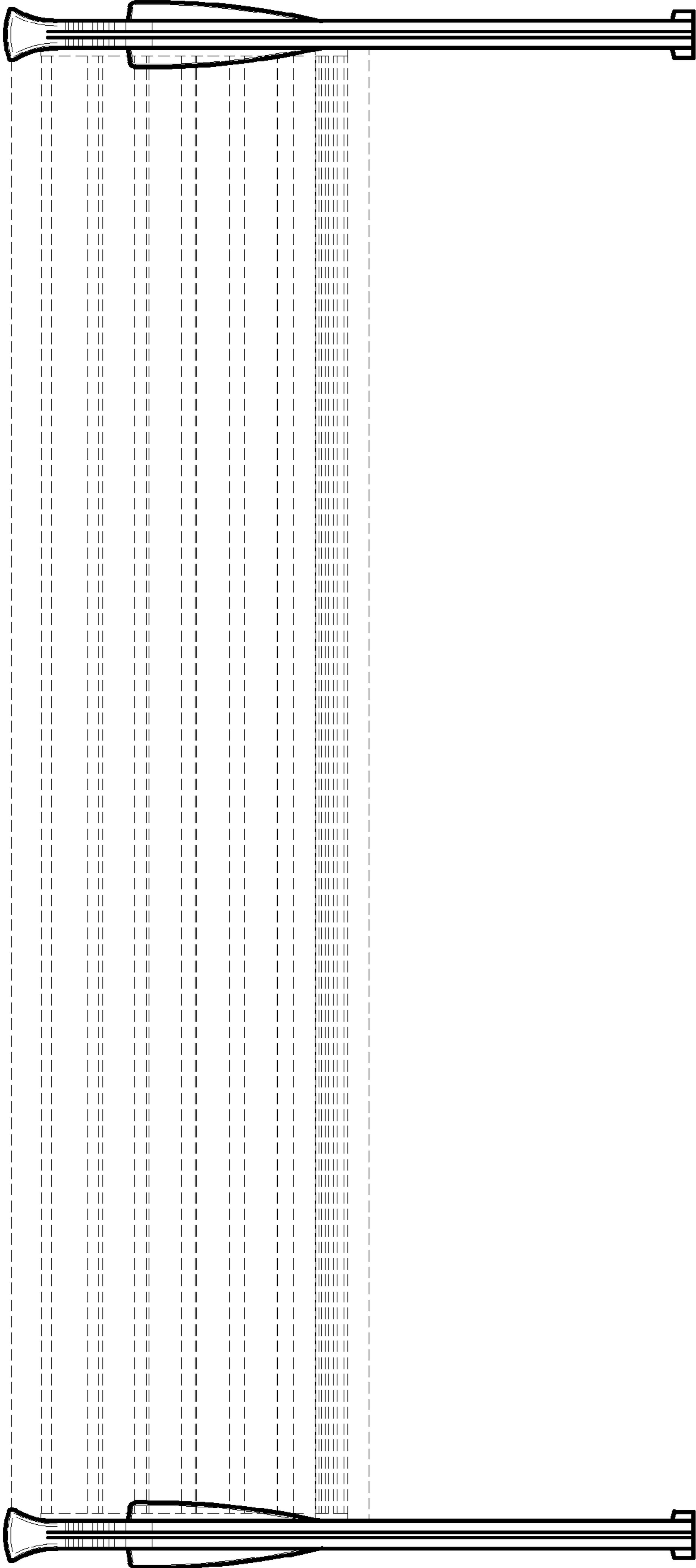


FIG. 5

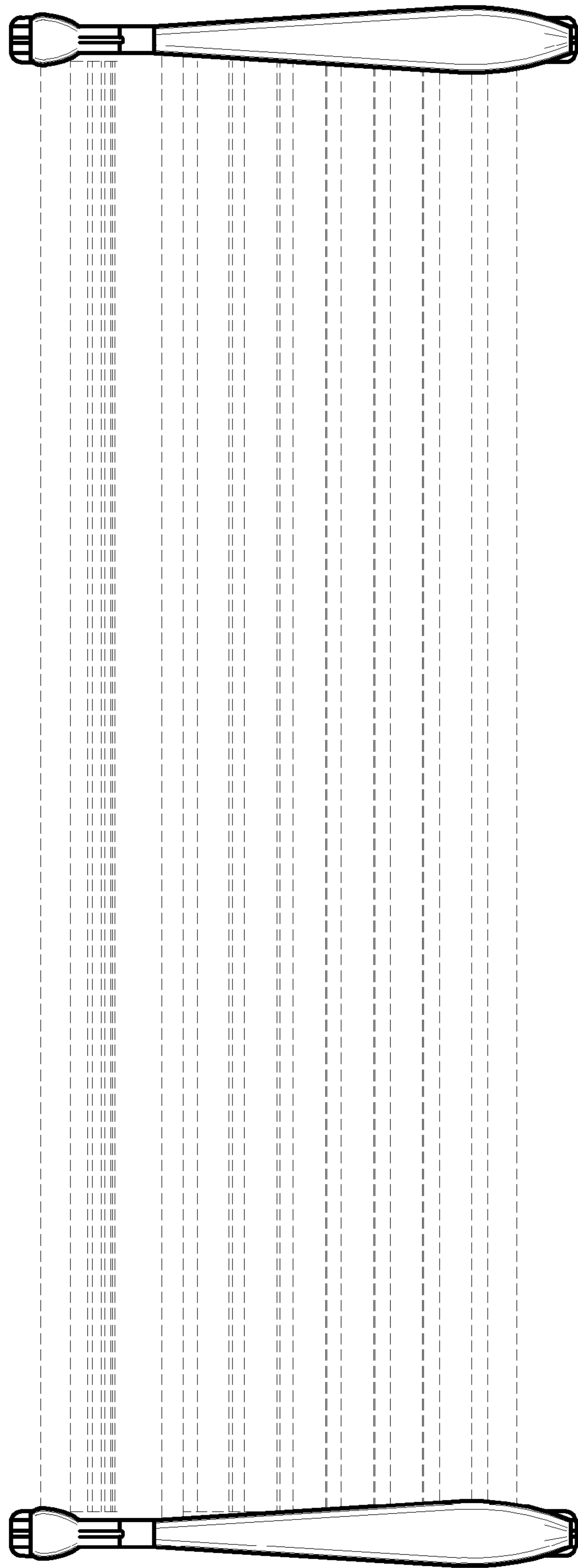


FIG. 6

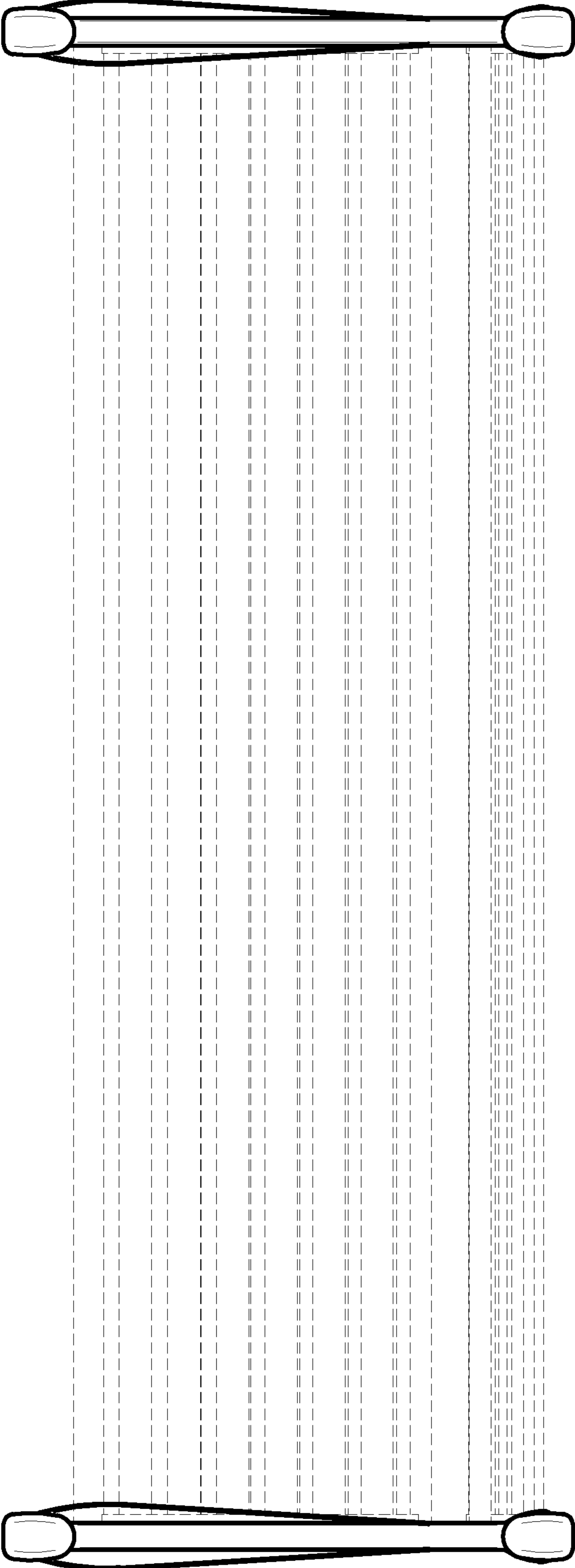


FIG. 7