



US00D629230S

(12) **United States Design Patent**
Shaha et al.

(10) **Patent No.:** **US D629,230 S**

(45) **Date of Patent:** **** Dec. 21, 2010**

(54) **BRACKET TO HOLD ARTWORK**

(76) Inventors: **Kevin Bruce Shaha**, P.O. Box 217,
Dover, ID (US) 83825; **Marcus Bosch**,
6621 S. University Ave., Chicago, IL
(US) 60637

(**) Term: **14 Years**

(21) Appl. No.: **29/344,773**

(22) Filed: **Oct. 4, 2009**

(51) **LOC (9) Cl.** **06-04**

(52) **U.S. Cl.** **D6/467**

(58) **Field of Classification Search** D6/300,
D6/313, 323, 449, 454-469, 513, 540, 546,
D6/549, 553, 567, 570, 571; D8/373, 349,
D8/394, 395; D19/86, 91; 211/74, 85.3,
211/85.4, 85.15, 119.13, 124; 223/88; 248/346.01,
248/682, 683, 689; 40/642.02, 657, 658,
40/666, 700, 745, 757, 780, 790, 791
See application file for complete search history.

(56) **References Cited**

U.S. PATENT DOCUMENTS

D131,506	S	*	3/1942	Dreyfuss	D6/549
4,108,315	A	*	8/1978	Inao	211/124
D377,123	S	*	1/1997	Hutchens	D6/323
D387,807	S	*	12/1997	McAllister	D19/91
5,755,419	A	*	5/1998	Gearhart et al.	248/346.01
D413,928	S	*	9/1999	Cianci	D19/86
5,967,341	A	*	10/1999	Werner	211/85.15
D457,365	S	*	5/2002	Shea	D6/513
D535,843	S	*	1/2007	Miller	D6/570
7,182,232	B2	*	2/2007	Fleming et al.	223/88

D604,548	S	*	11/2009	Cicione	D6/553
D609,518	S	*	2/2010	Schofield et al.	D6/567
D614,946	S	*	5/2010	Herman	D8/395
2003/0164346	A1	*	9/2003	Shea	211/59.1
2009/0145866	A1	*	6/2009	Panosian et al.	211/85.15

* cited by examiner

Primary Examiner—Mary Ann Calabrese

(74) *Attorney, Agent, or Firm*—QuickPatents, Inc.; Kevin Prince

(57) **CLAIM**

We claim the ornamental design for an bracket to hold artwork, as shown and described.

DESCRIPTION

FIG. 1 is a perspective view of an bracket to hold artwork, showing our new design;

FIG. 2 is a front elevational view thereof;

FIG. 3 is a rear elevational view thereof;

FIG. 4 is a left-side elevational view thereof, the right-side elevational view being a mirror image thereof;

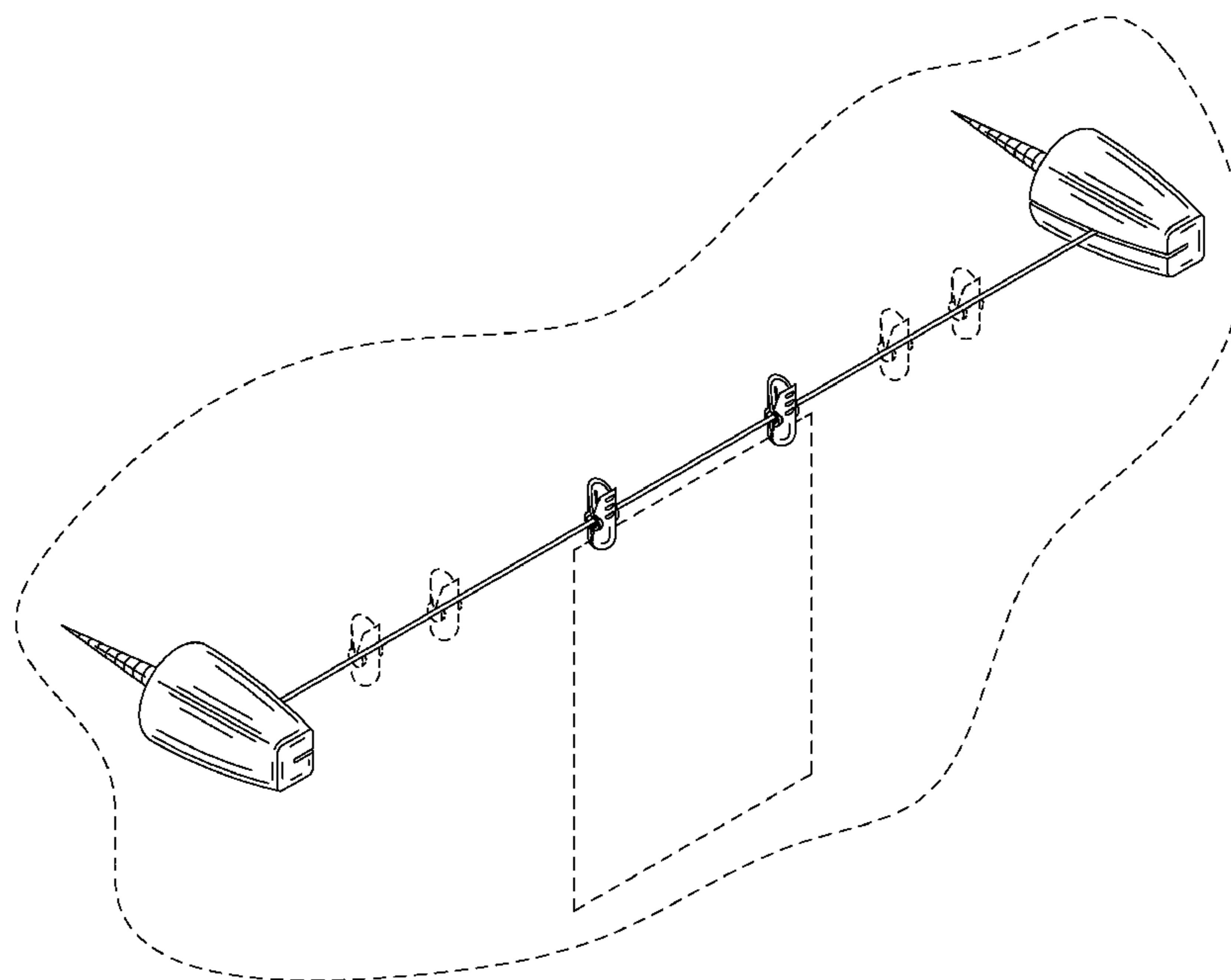
FIG. 5 is a top plan view thereof;

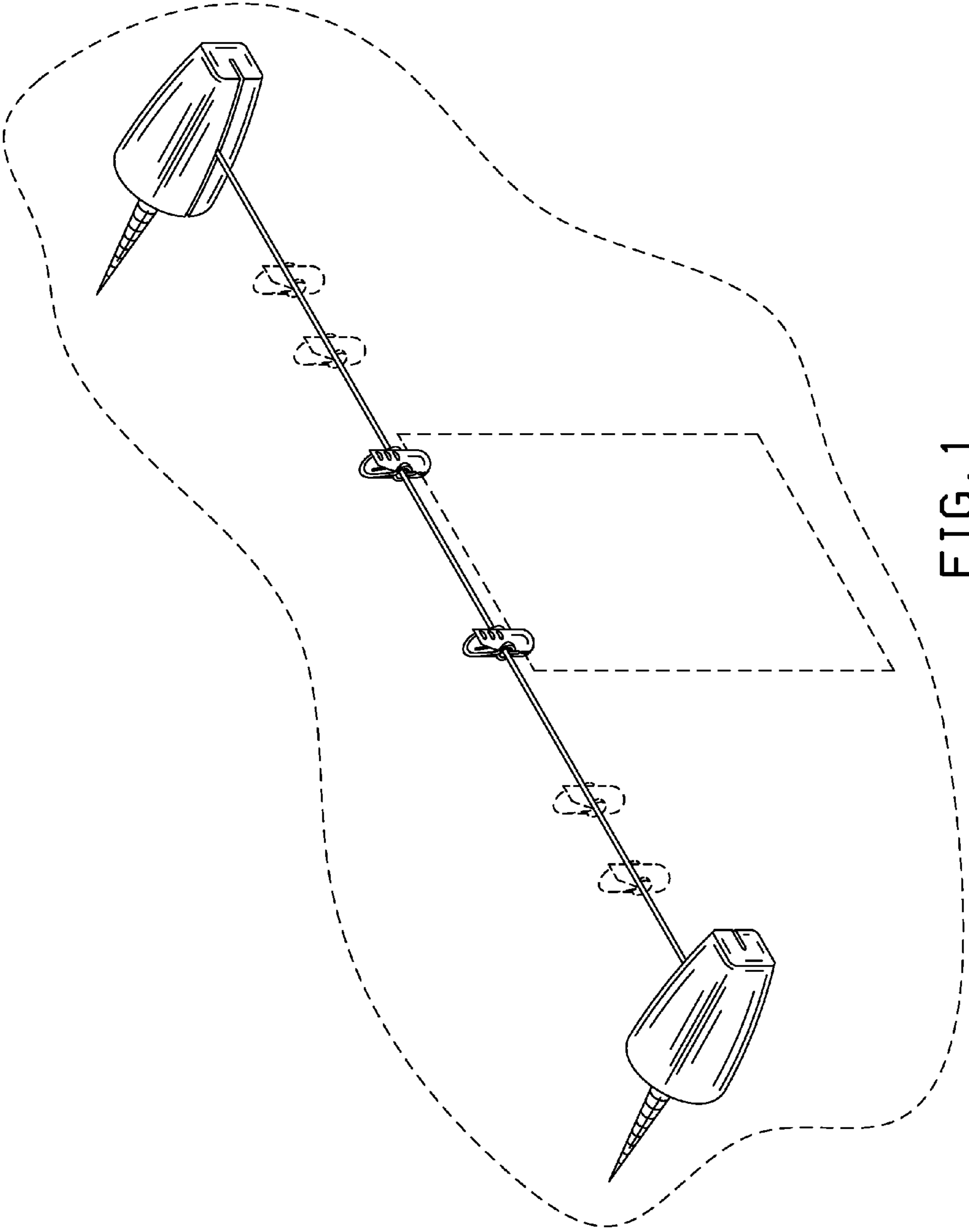
FIG. 6 is a bottom plan view thereof; and,

FIG. 7 is a left side elevational view of a clip; thereof, shown removed for clarity of illustration. The right side view is a mirror image thereof.

The broken lines showing artwork, a wall, and additional clips in FIG. 1 are included for the purpose of illustrating the invention in use, and form no part of the claimed design.

1 Claim, 3 Drawing Sheets





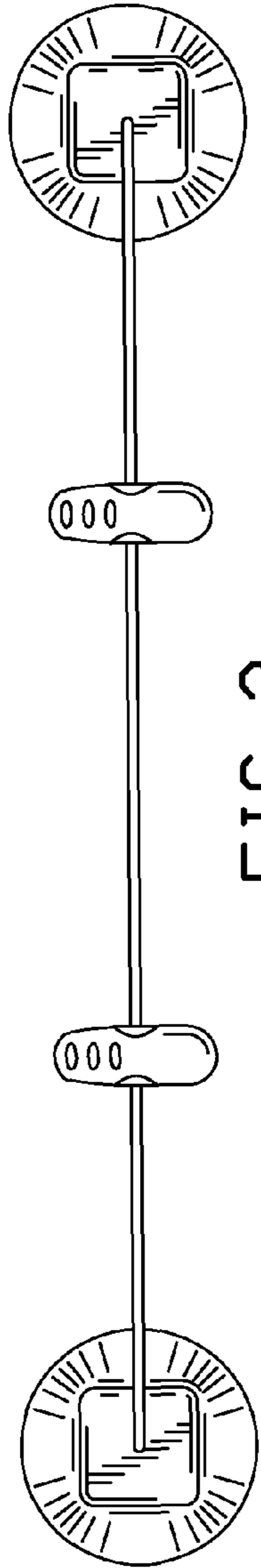


FIG. 2

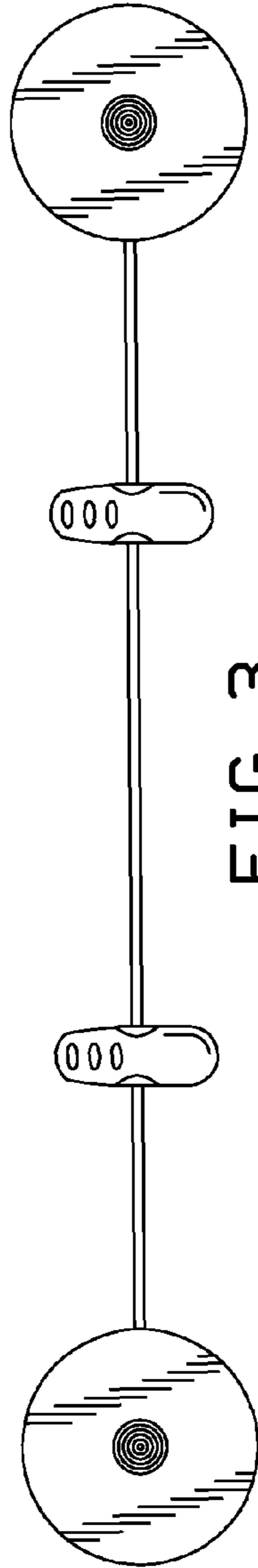


FIG. 3

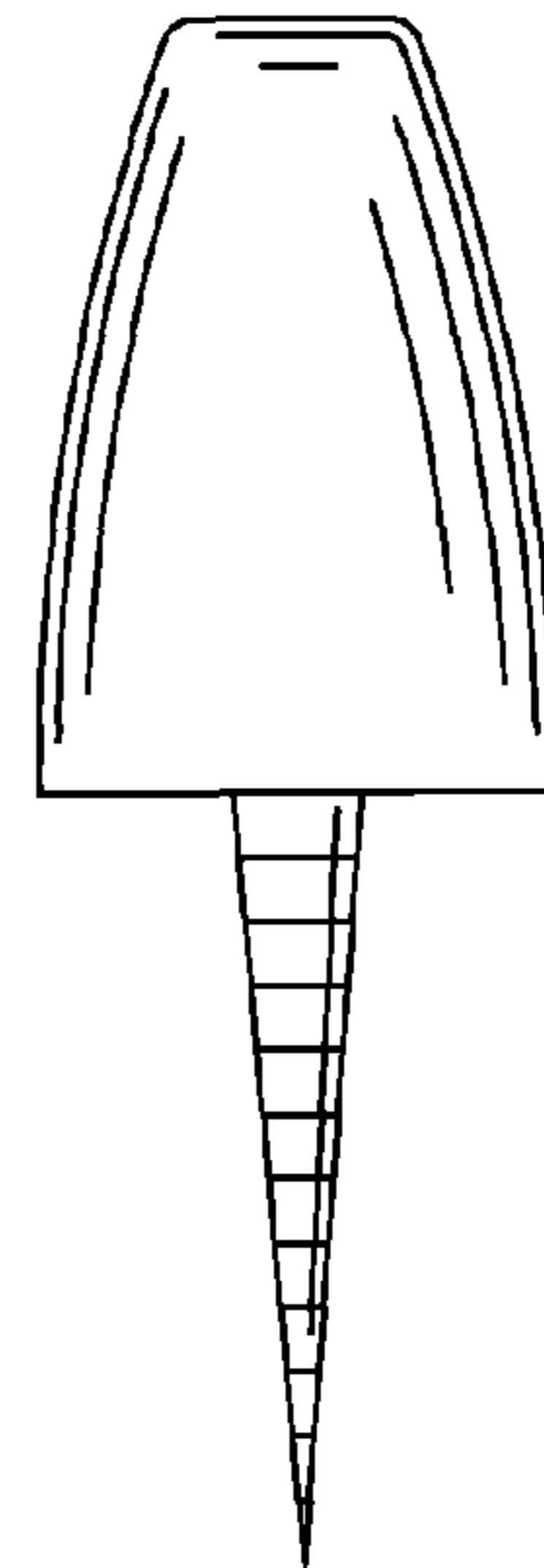


FIG. 4



FIG. 7

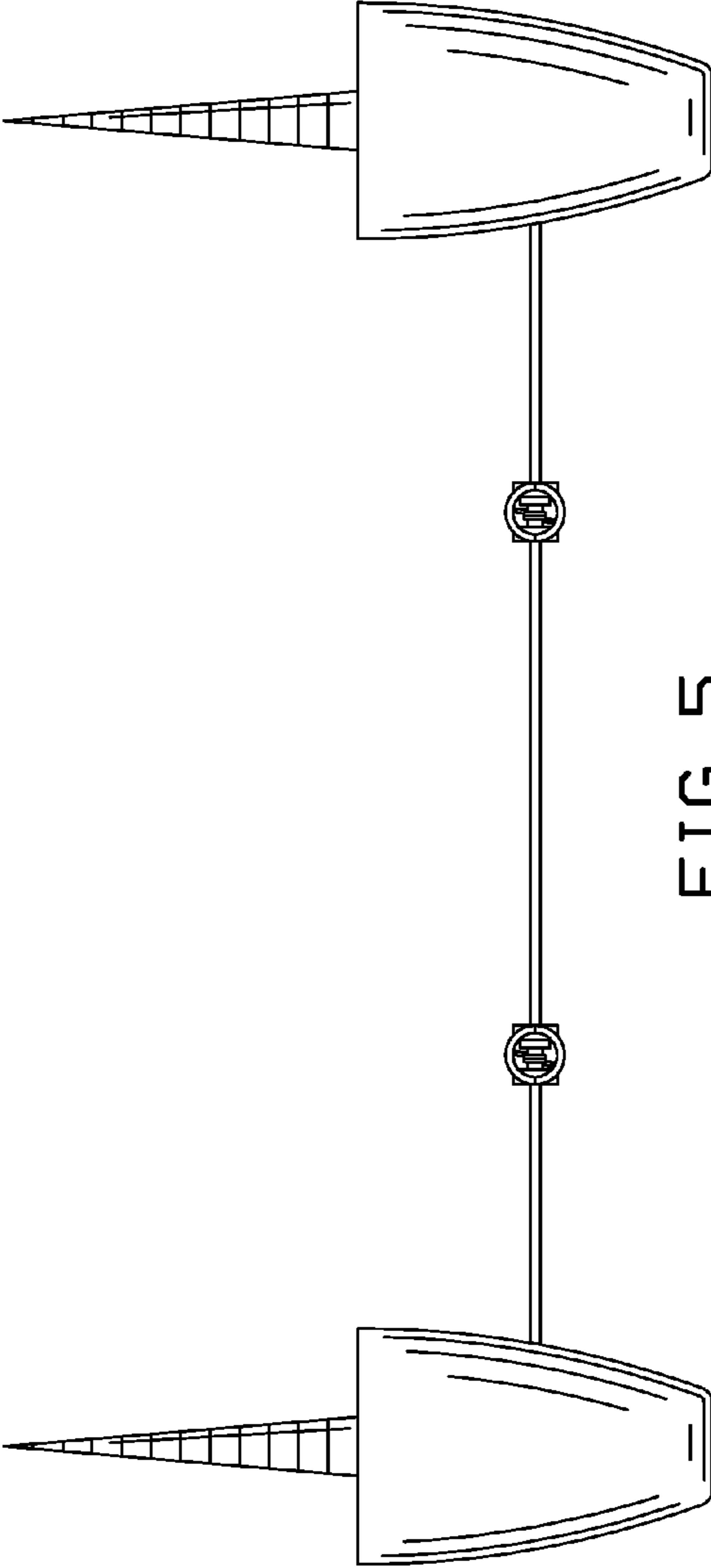


FIG. 5

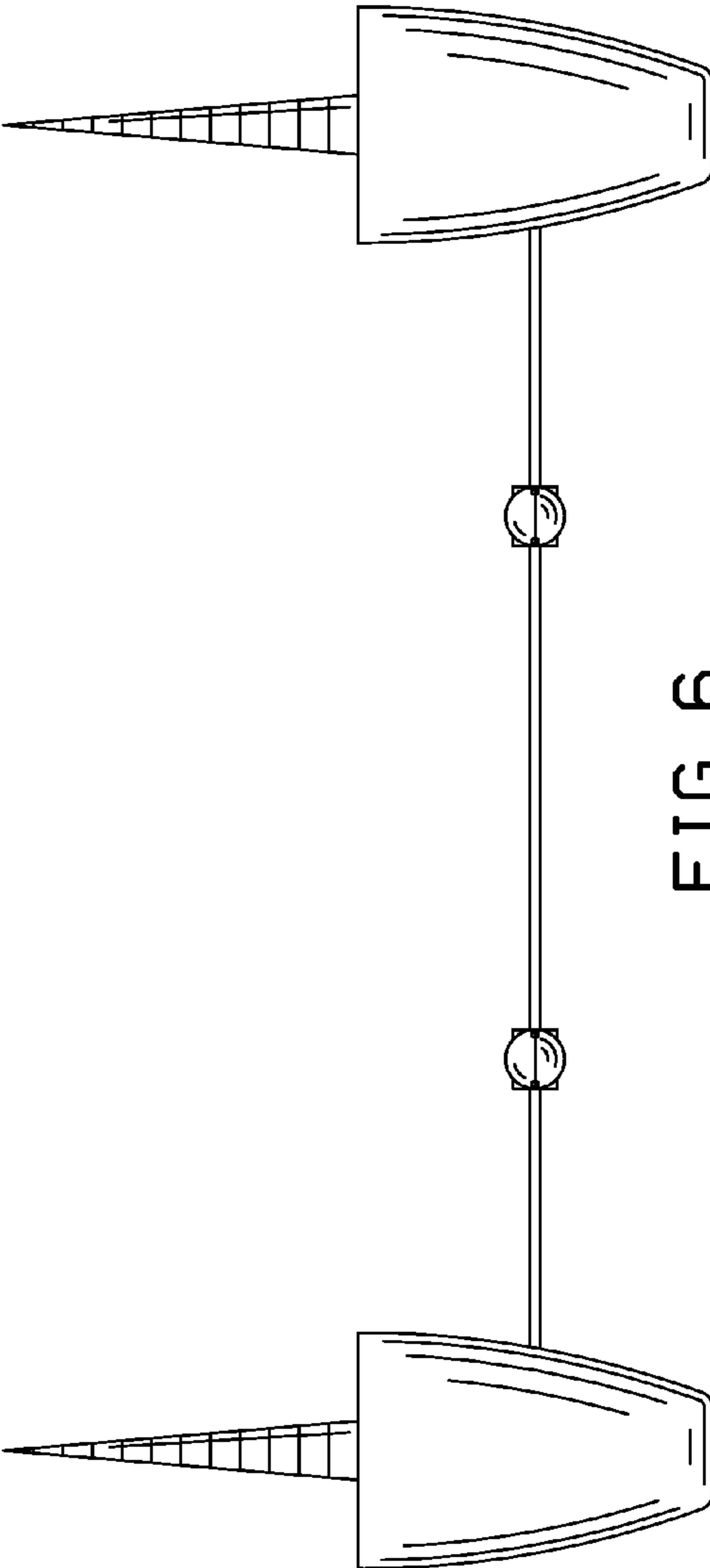


FIG. 6