



US00D629229S

(12) **United States Design Patent**
Horn et al.

(10) **Patent No.:** **US D629,229 S**
(45) **Date of Patent:** **** Dec. 21, 2010**

- (54) **STACKABLE DISPLAY CUBES WITH INSERTABLE POSTER**
- (75) Inventors: **Brett Horn**, Durban (ZA); **Erika Gomez**, Atlanta, GA (US)
- (73) Assignee: **The Coca-Cola Company**, Atlanta, GA (US)

D330,104 S * 10/1992 Ackley D34/21
 D340,369 S * 10/1993 Dokoupil et al. D6/465
 D360,764 S * 8/1995 Collins D6/396
 5,630,518 A * 5/1997 Collins 211/132.1
 D559,577 S * 1/2008 Quinn D6/397
 D573,811 S * 7/2008 Weigand D6/468
 D597,766 S * 8/2009 Nealon et al. D6/466
 2010/0133215 A1* 6/2010 Norman 211/85.8

* cited by examiner

- (**) Term: **14 Years**
- (21) Appl. No.: **29/367,263**
- (22) Filed: **Aug. 5, 2010**

Primary Examiner—Mary Ann Calabrese
 (74) *Attorney, Agent, or Firm*—Michael J. Kline

- (51) **LOC (9) Cl.** **06-04**
- (52) **U.S. Cl.** **D6/457**; D6/397; D20/19
- (58) **Field of Classification Search** D6/396, D6/397, 409, 410, 449, 450, 453–469; 211/1, 211/13.1, 22, 24, 26, 39, 41.12, 49.1, 52, 211/53, 85, 85.26, 85.8, 86.01, 126.16, 128.1, 211/132.1, 133.1, 134, 135, 149–151, 153, 211/175, 186–189; D20/19, 41; D34/21; 40/539–540, 606.03; 108/59, 91
 See application file for complete search history.

(57) **CLAIM**

We claim the ornamental design for stackable display cubes with insertable poster, as shown and described.

(56) **References Cited**
U.S. PATENT DOCUMENTS

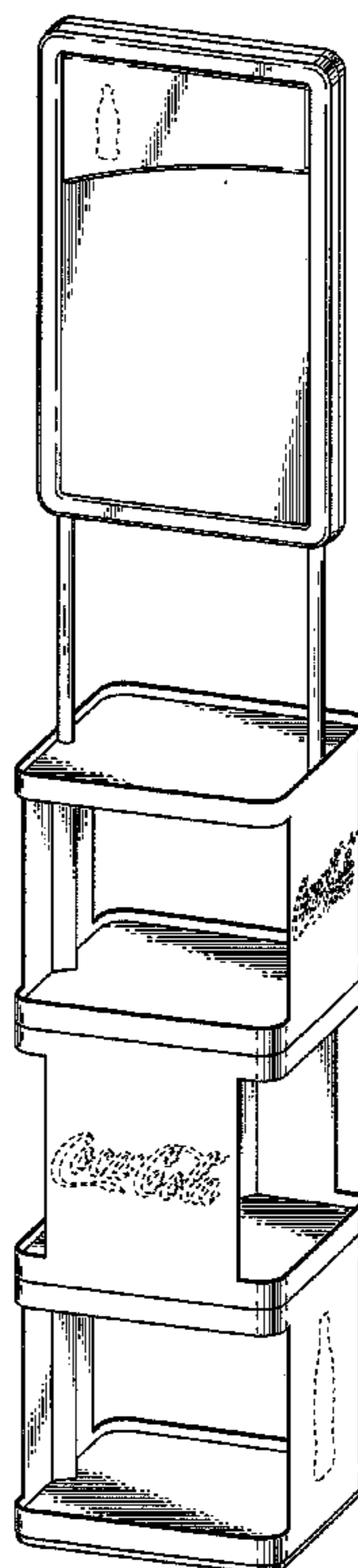
3,834,324 A * 9/1974 Lang 108/91
 4,193,351 A * 3/1980 Belokin, Jr. 108/59
 4,911,311 A * 3/1990 Nagai 211/126.16
 D311,103 S * 10/1990 Kirby D6/468

DESCRIPTION

FIG. 1 is a front, right side, perspective view of stackable display cubes with insertable poster showing our new design;
 FIG. 2 is a left side elevational view thereof;
 FIG. 3 is a right side elevational view thereof;
 FIG. 4 is a front elevational view thereof;
 FIG. 5 is a back elevational view thereof;
 FIG. 6 is a top plan view thereof; and,
 FIG. 7 is a bottom plan view thereof.

The broken lines in the drawings are for illustrative purposes only and form no part of the claimed design.

1 Claim, 4 Drawing Sheets



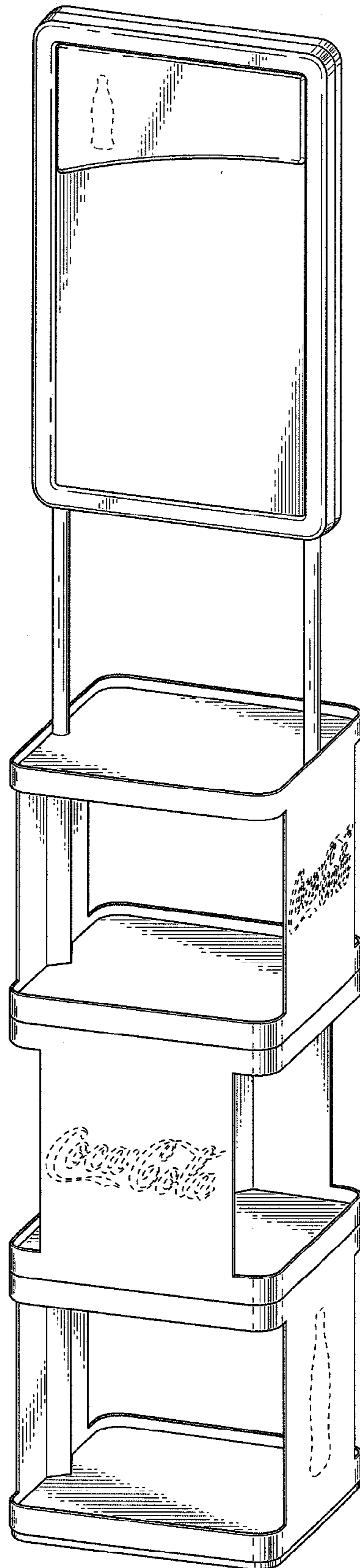


FIG. 1

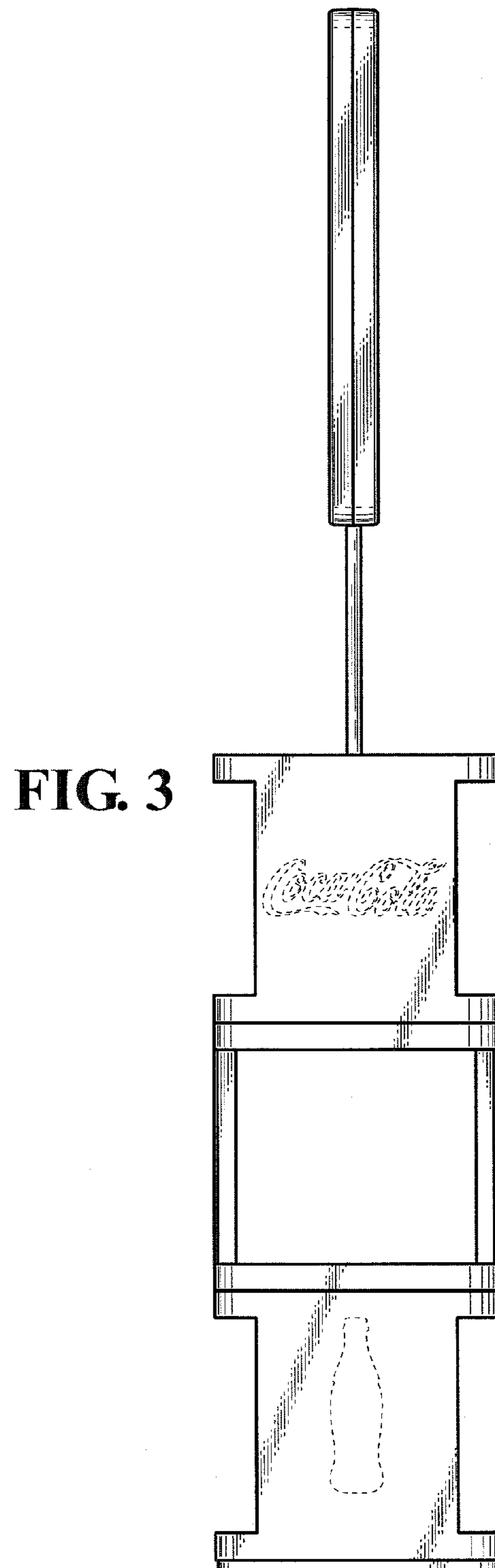
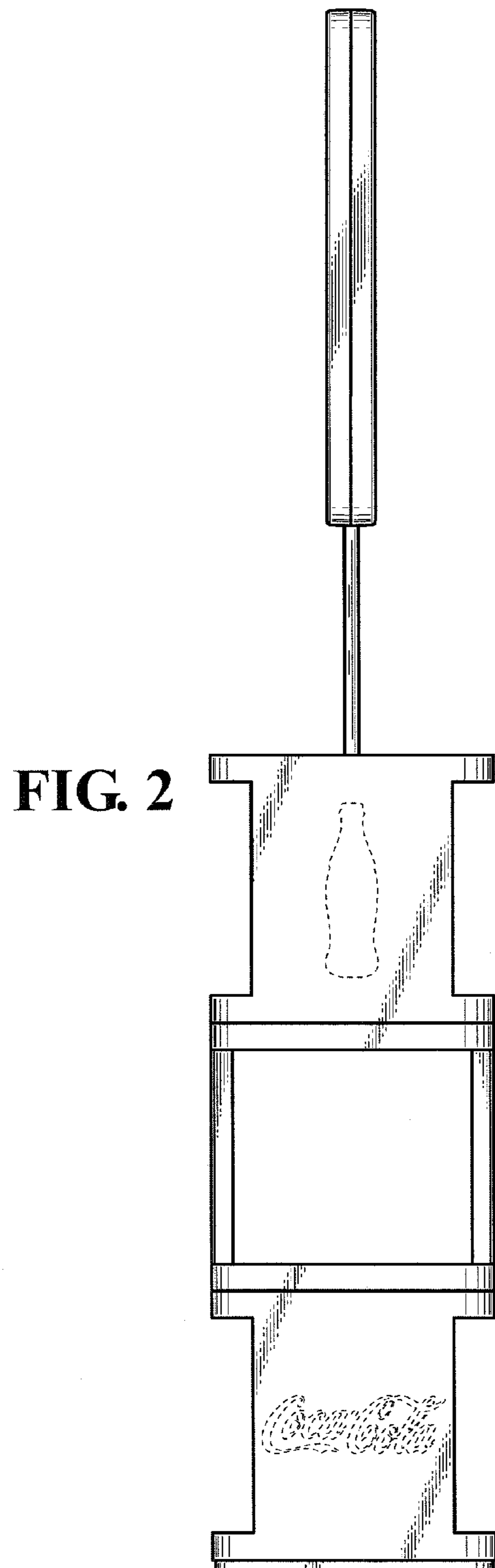


FIG. 4

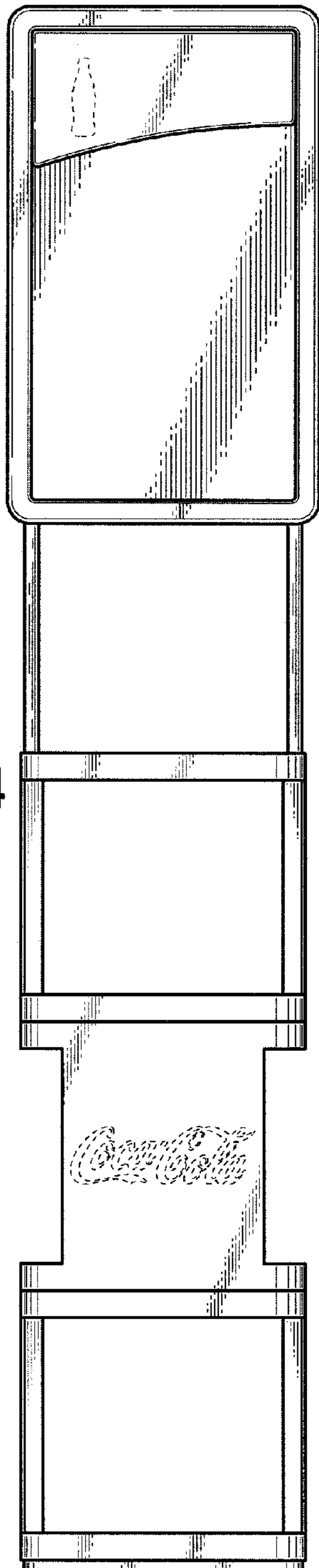
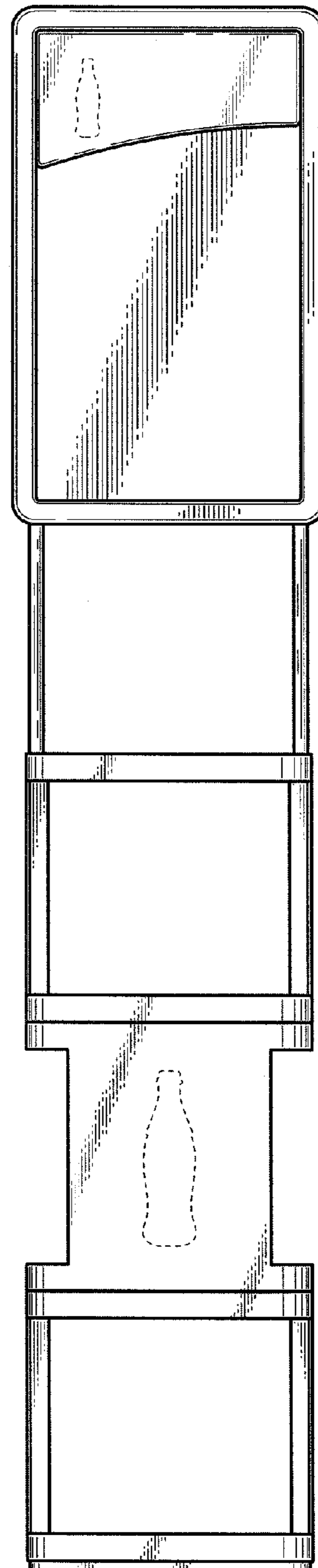


FIG. 5



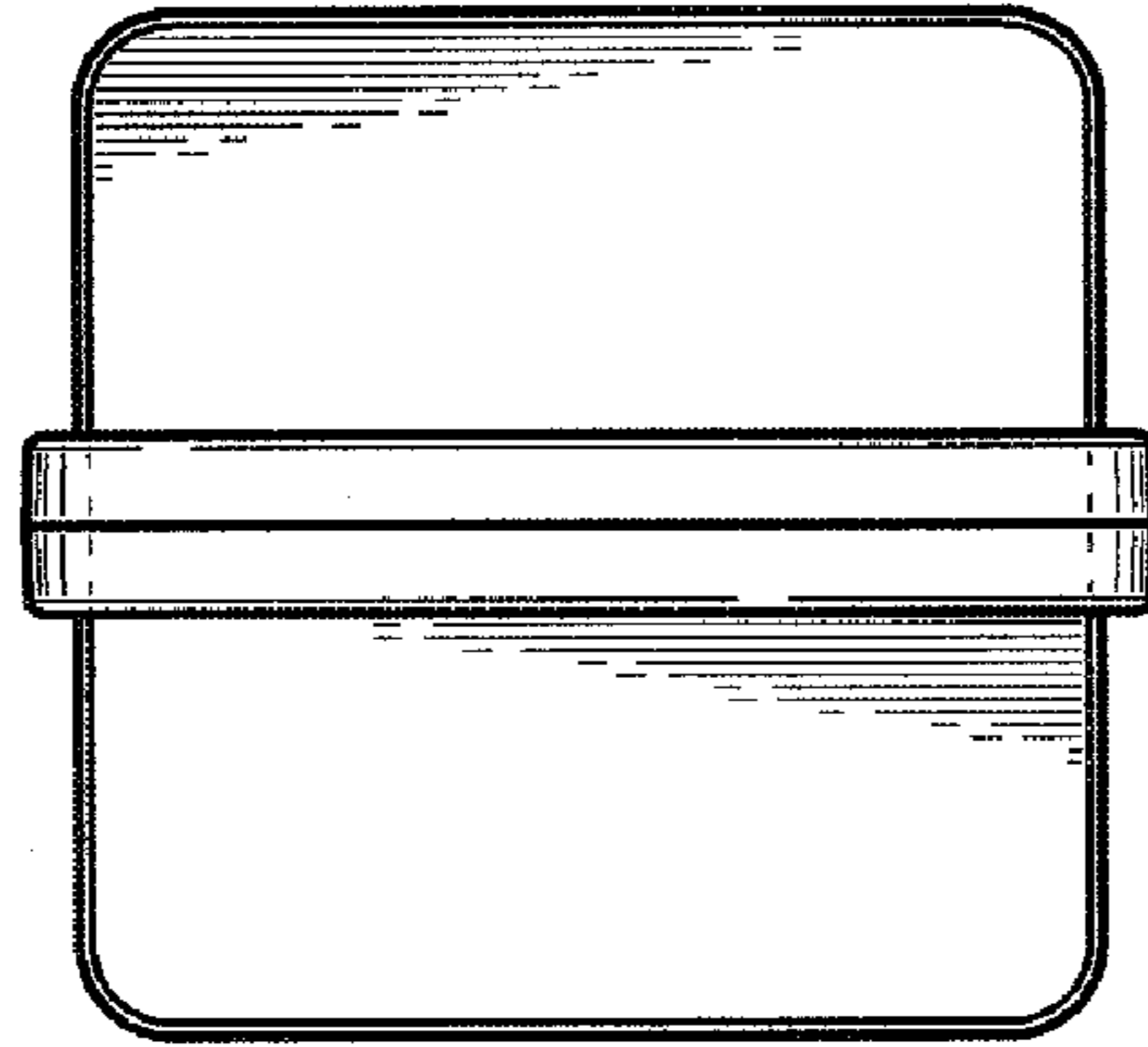


FIG. 6

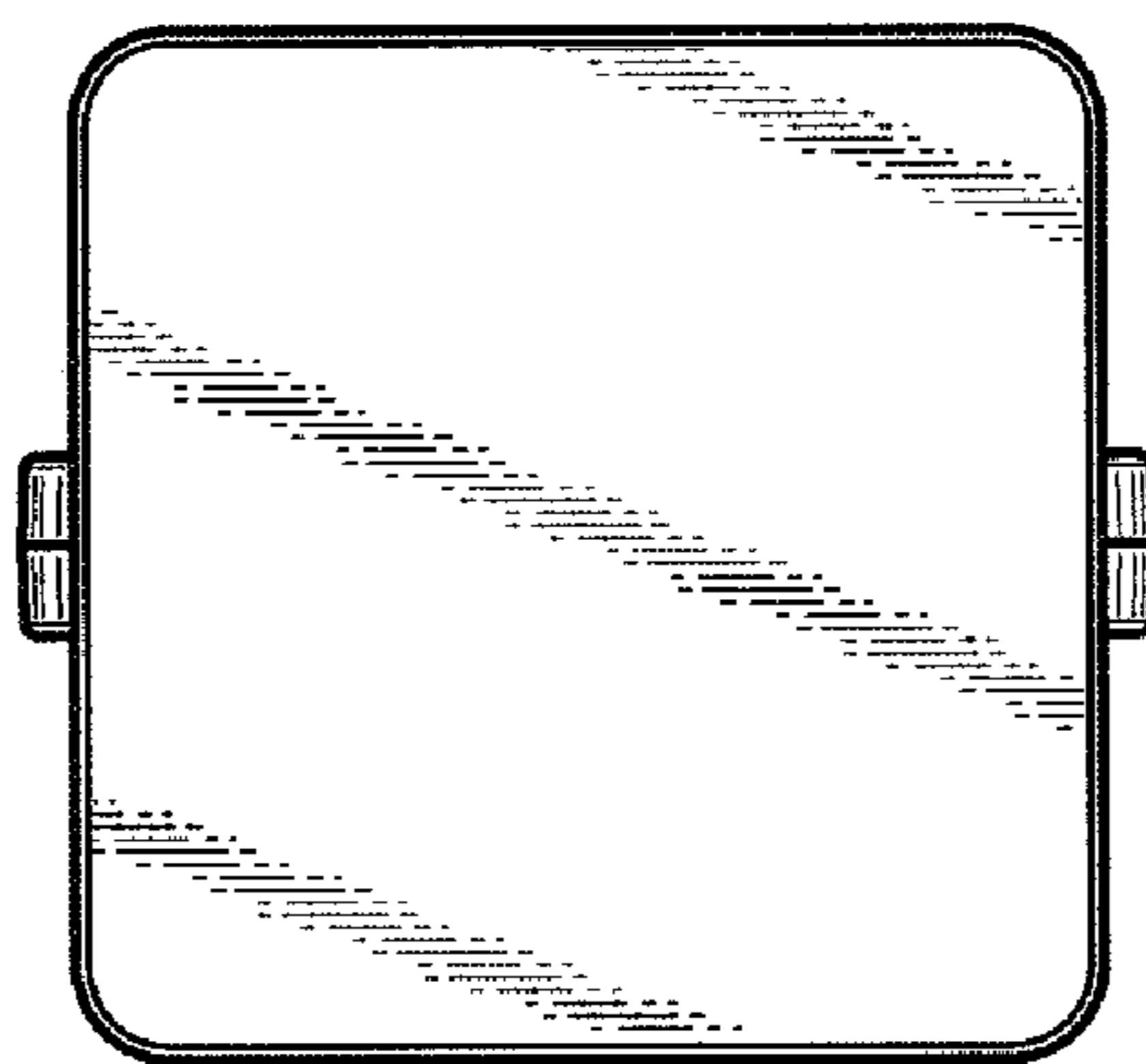


FIG. 7