



US00D629227S

(12) **United States Design Patent**
Nielsen

(10) **Patent No.:** **US D629,227 S**
(45) **Date of Patent:** **** Dec. 21, 2010**

(54) **STORAGE TRAY FOR MULTIMEDIA ITEMS**

(75) Inventor: **Britta Claire Nielsen**, Seattle, WA (US)

(73) Assignee: **Slam Brands, Inc.**, Redmond, WA (US)

(**) Term: **14 Years**

(21) Appl. No.: **29/362,849**

(22) Filed: **Jun. 1, 2010**

(51) **LOC (9) Cl.** **06-04**

(52) **U.S. Cl.** **D6/407; D6/510**

(58) **Field of Classification Search** D6/407,
D6/510, 626-635, 406.3; D19/26, 27, 65,
D19/75, 77, 78, 81, 83, 86, 981, 92, 95, 99,
D19/100; 206/307, 307.1, 308.1, 309, 311,
206/312, 313, 310, 751, 373, 562, 563, 214,
206/371; 211/69.1, 69.9, 10, 11, 13.1, 45,
211/50; D3/273, 294, 295, 299-301, 303,
D3/304

See application file for complete search history.

(56) **References Cited**

U.S. PATENT DOCUMENTS

D308,699	S	*	6/1990	Ancona et al.	D19/75
D331,942	S	*	12/1992	Kirchner	D19/78
D396,954	S	*	8/1998	Iversen et al.	D3/313
D396,955	S	*	8/1998	Iversen et al.	D3/313
D417,785	S	*	12/1999	Daniels	D3/313
6,129,235	A	*	10/2000	Creske	220/575
6,439,388	B1	*	8/2002	Lerner	206/562
D463,977	S	*	10/2002	Castellanos et al.	D9/761

6,591,990	B2	*	7/2003	Lanman et al.	211/10
D583,599	S	*	12/2008	Nielsen	D6/510
D585,683	S	*	2/2009	Nielsen	D6/510
D616,223	S	*	5/2010	Nielsen	D6/457
2009/0065375	A1	*	3/2009	Winters et al.	206/38

* cited by examiner

Primary Examiner—T. Chase Nelson

(74) *Attorney, Agent, or Firm*—Turocy & Watson, LLP

(57) **CLAIM**

The ornamental design for a storage tray for multimedia items, as shown and described.

DESCRIPTION

FIG. 1 is a first perspective view of a design for the storage tray for multimedia items;

FIG. 2 is a second perspective view of the design therefor;

FIG. 3 is a top plan view of the design therefor;

FIG. 4 is a bottom plan view of the design therefor;

FIG. 5 is a first side view of the design therefor;

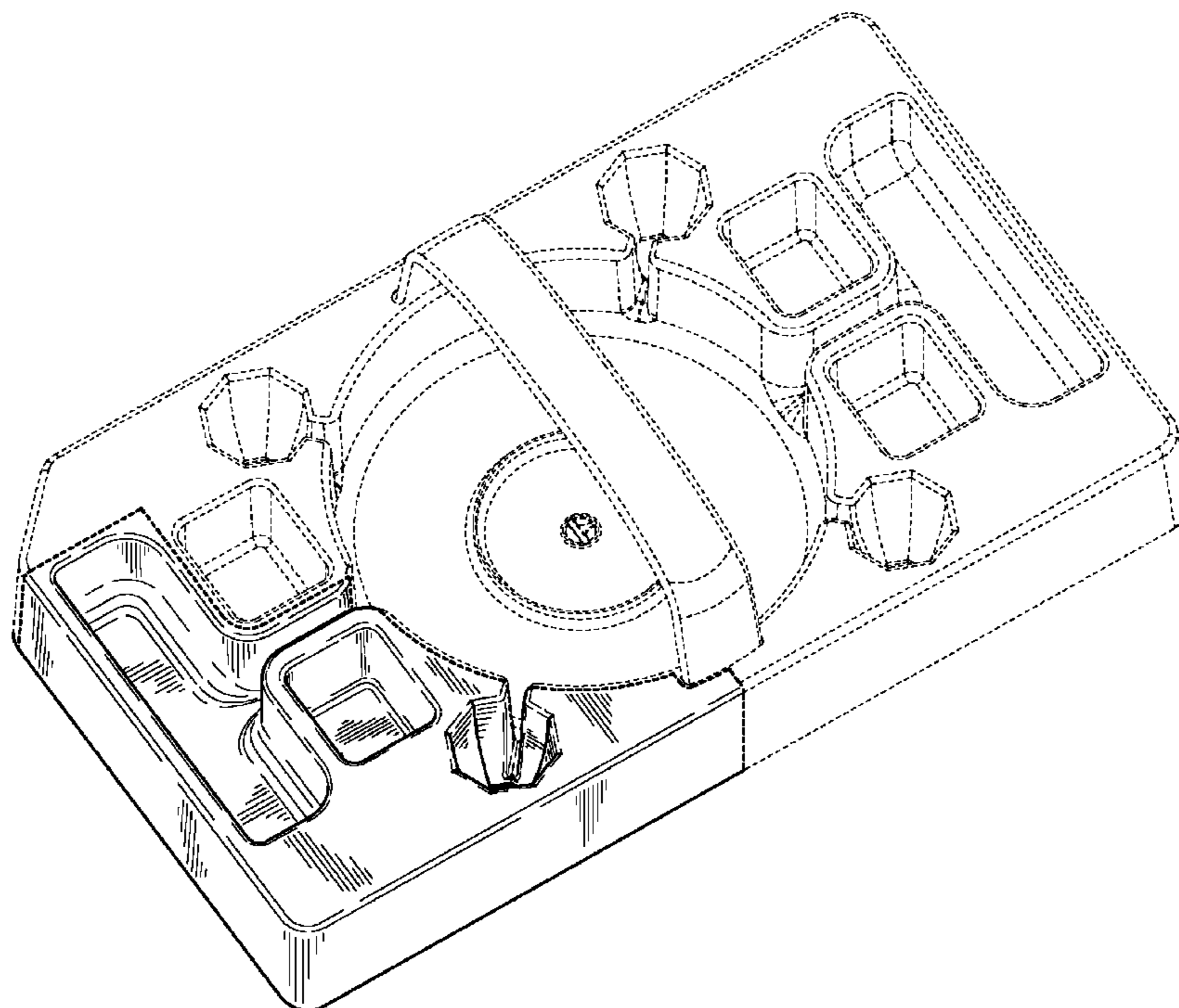
FIG. 6 is a second side view of the design therefor, opposite the first side view;

FIG. 7 is a first end view of the design therefor; and,

FIG. 8 is a second end view of the design therefor, opposite the first end view.

The dashed lines in the drawings are shown for environmental purposes and form no part of the claimed design.

1 Claim, 6 Drawing Sheets



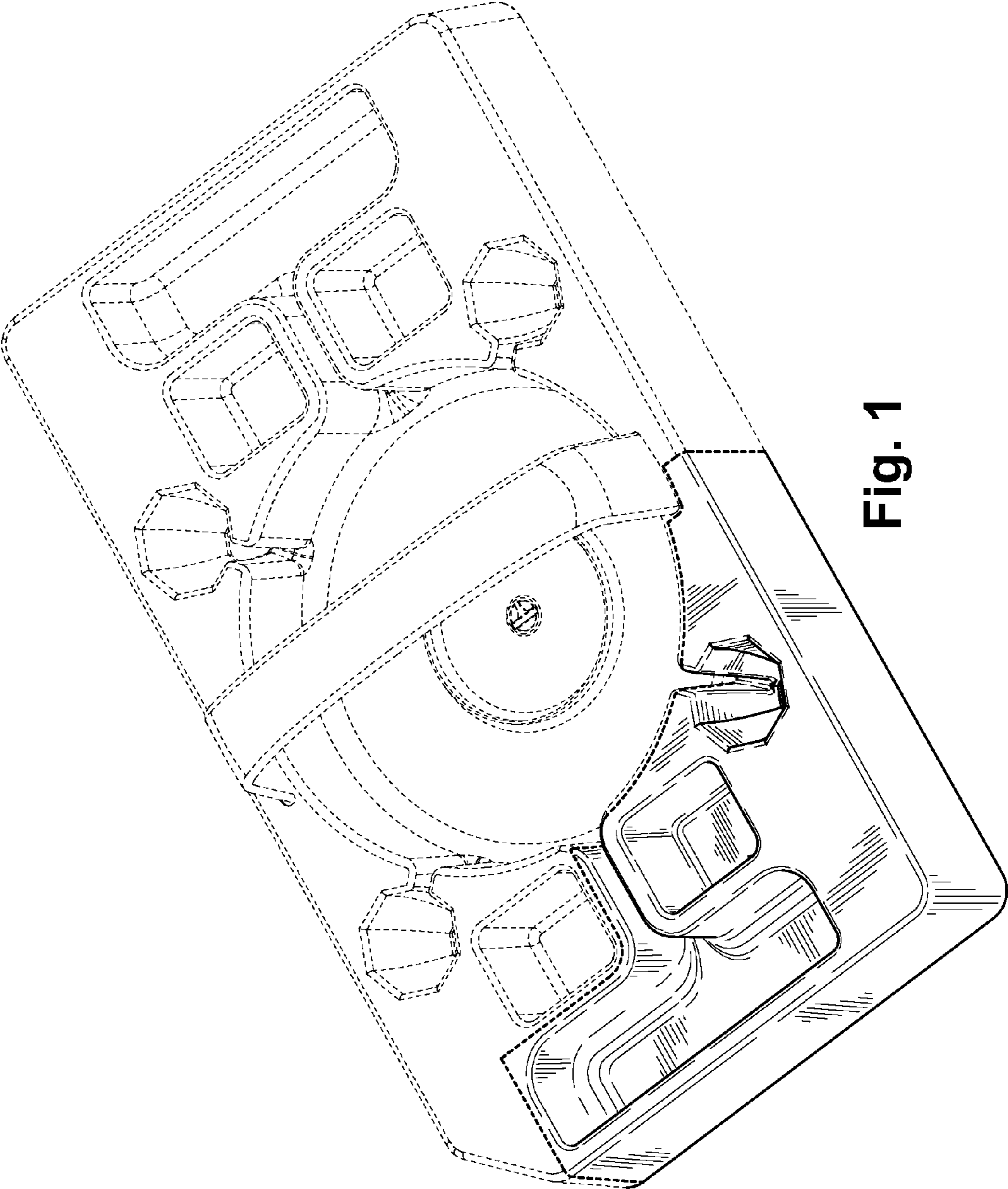


Fig. 1

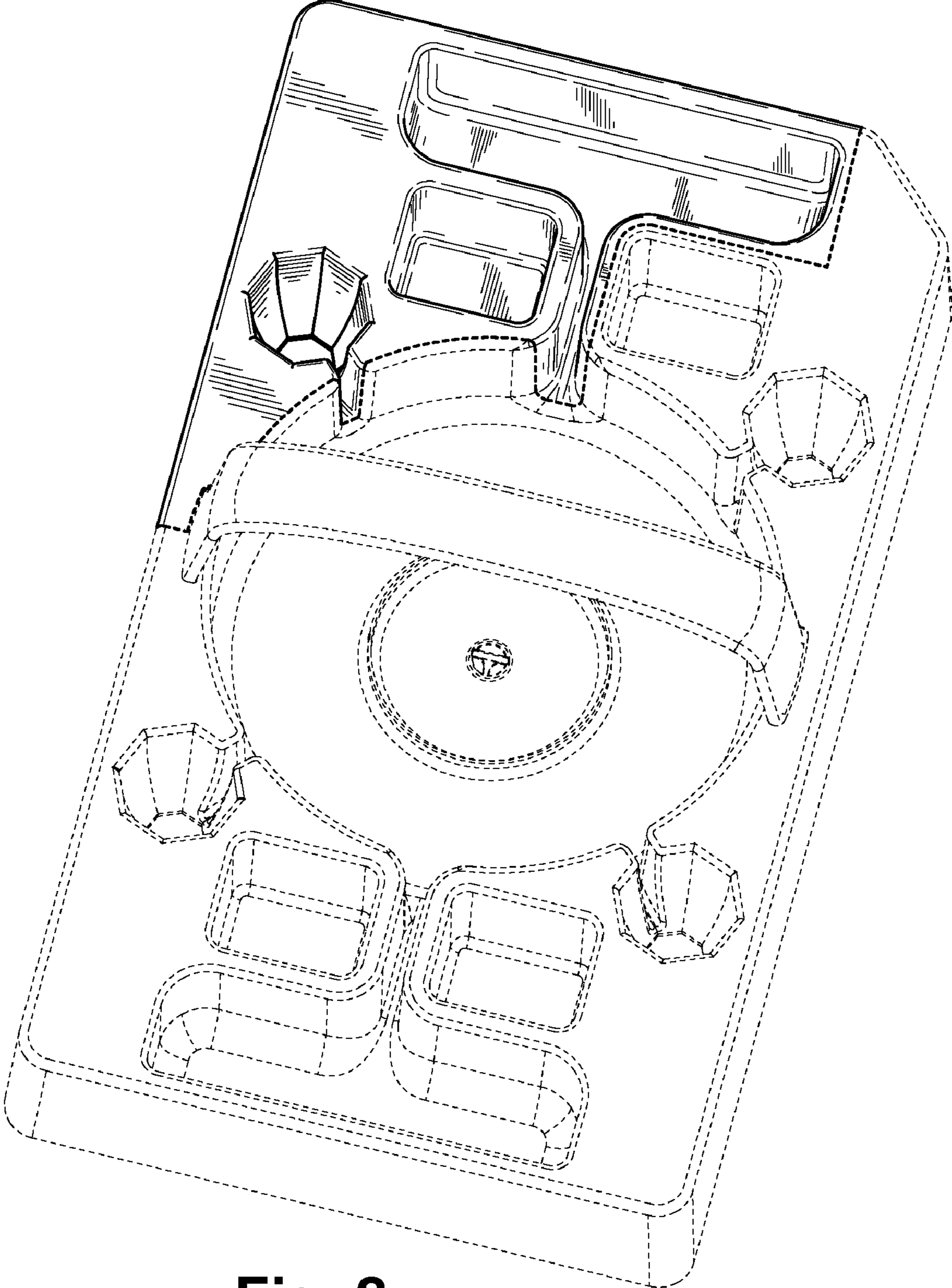


Fig. 2

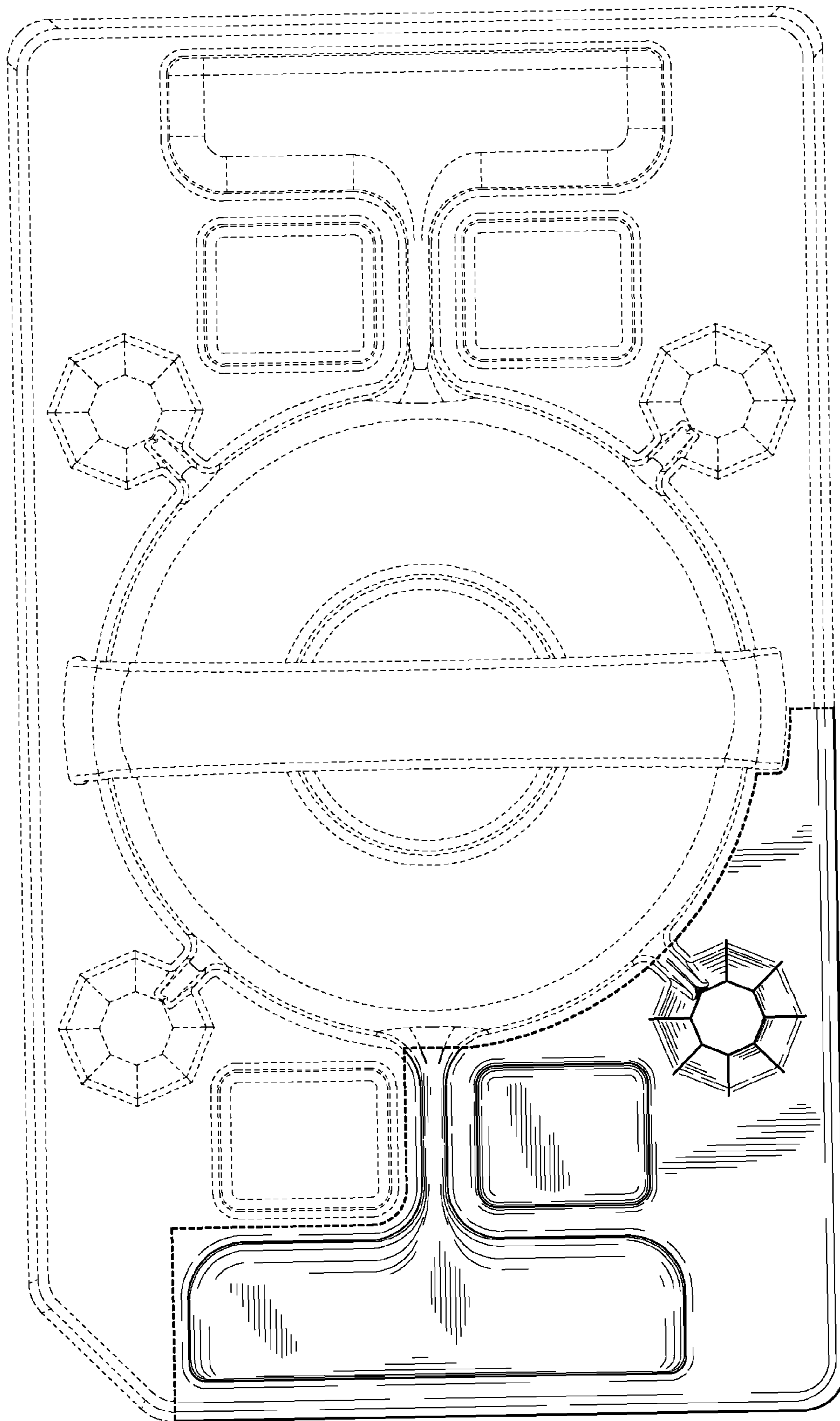


Fig. 3

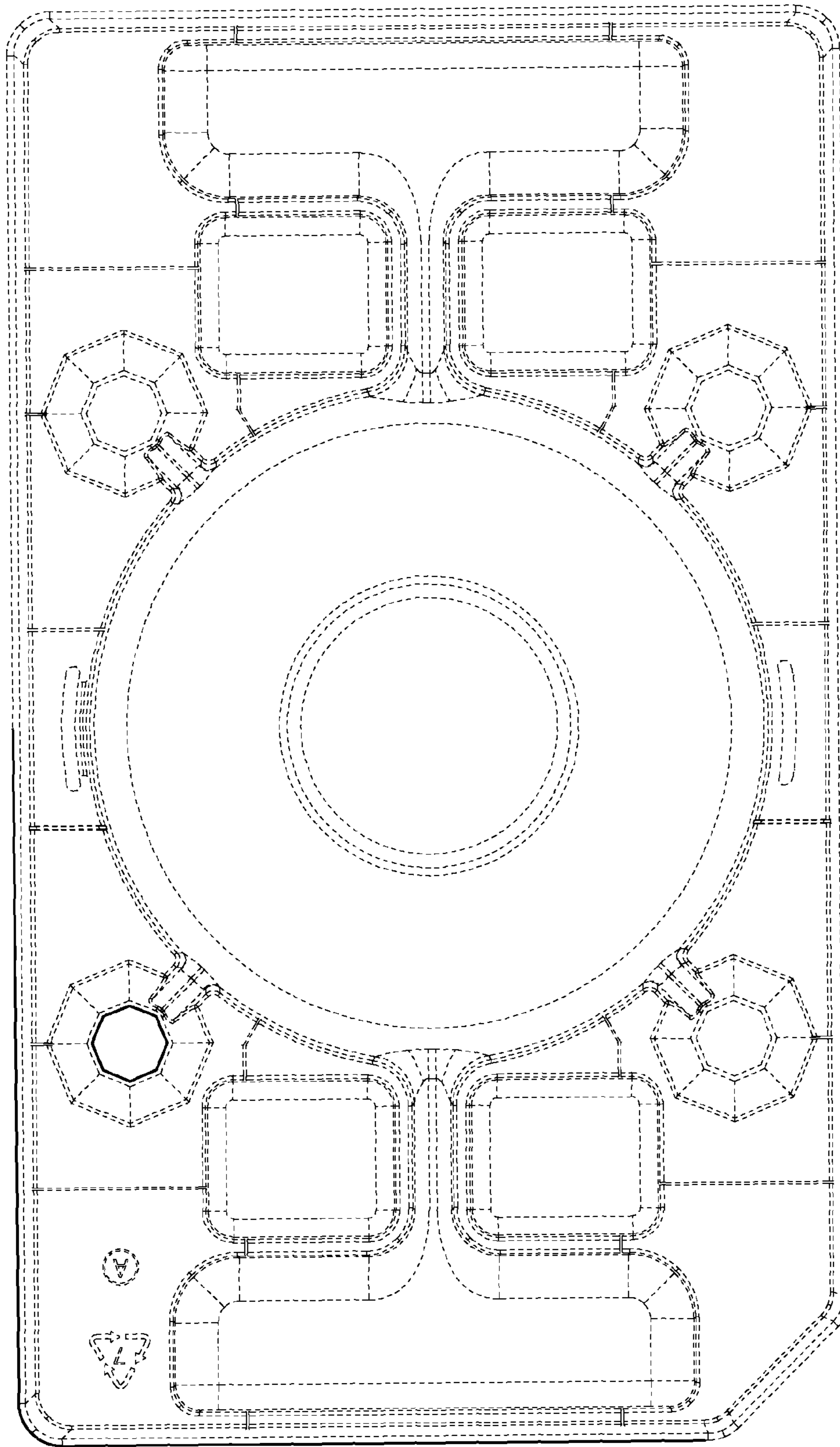


Fig. 4

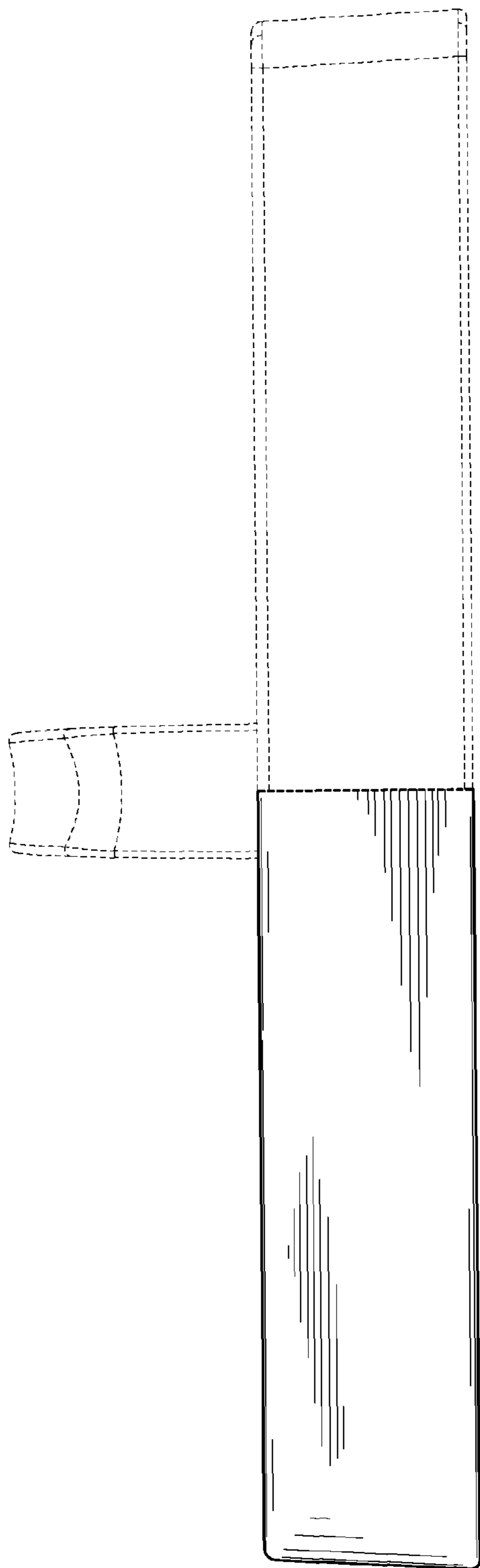


Fig. 5

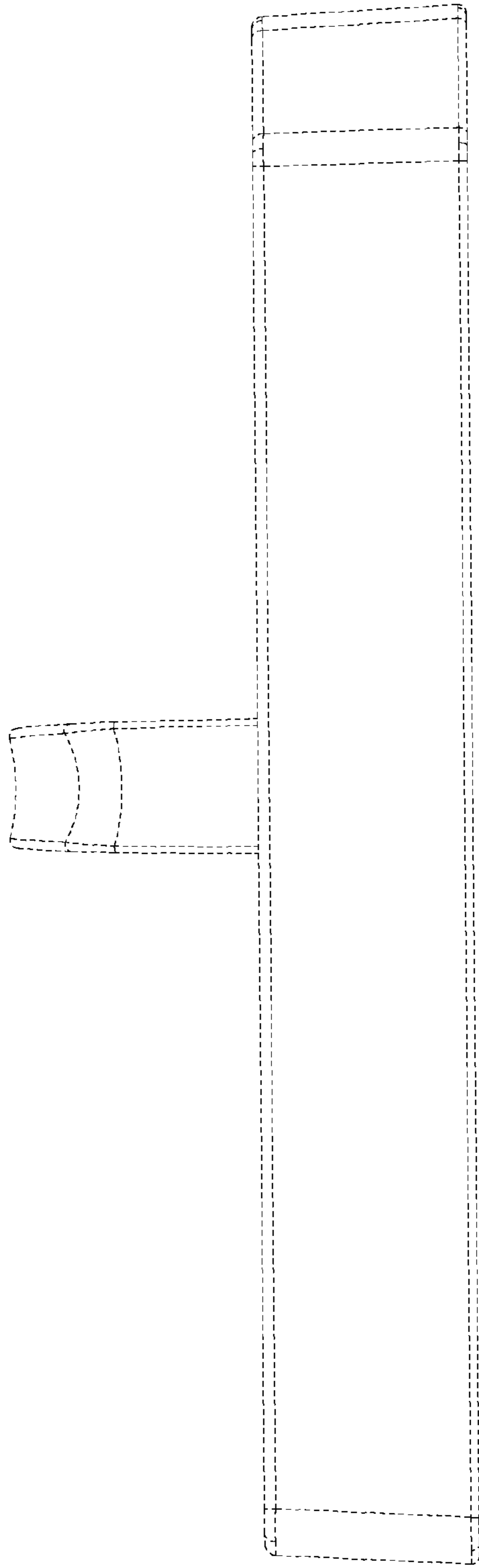


Fig. 6

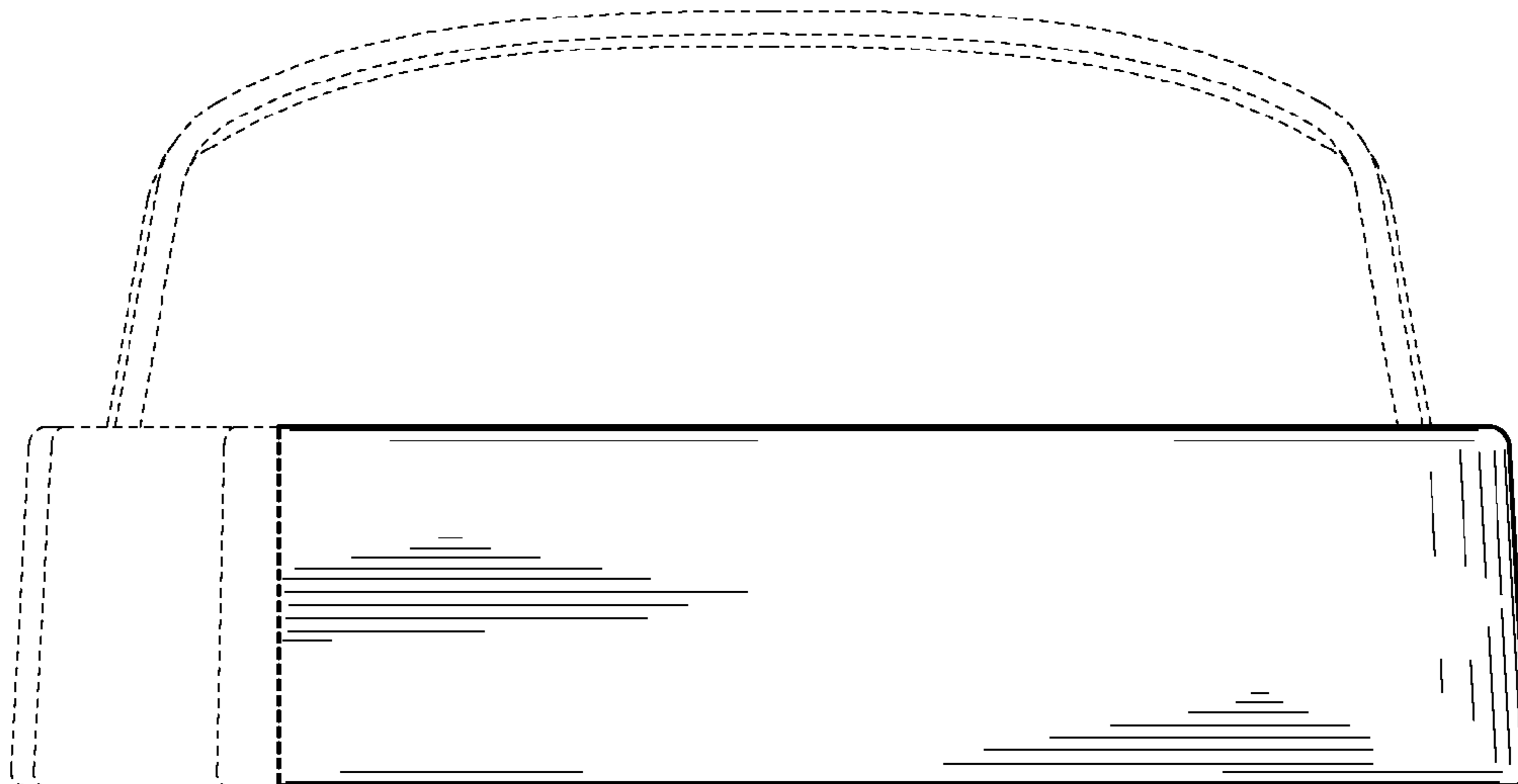


Fig. 7

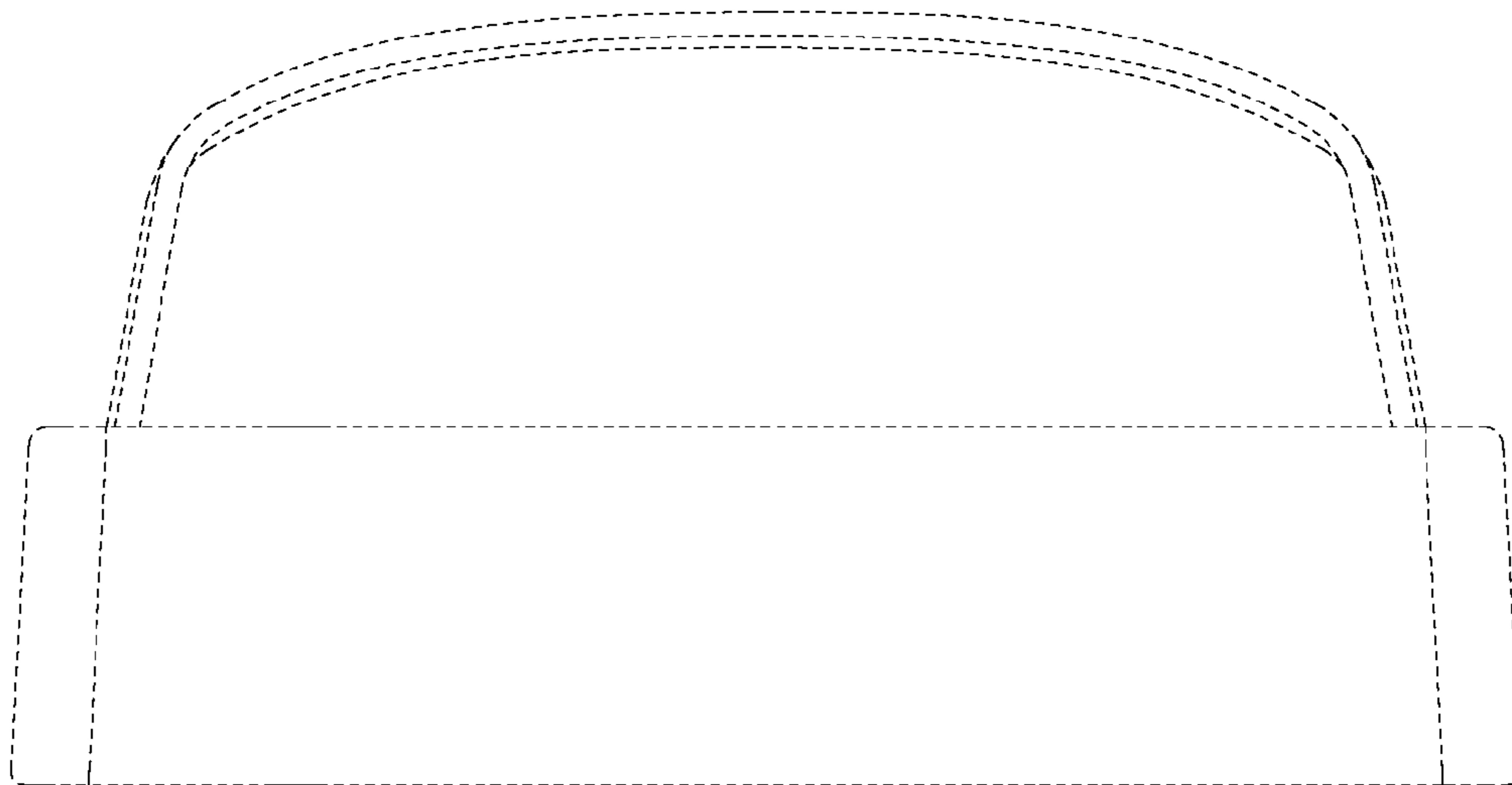


Fig. 8