



US00D629226S

(12) **United States Design Patent**
Thorfinnson

(10) **Patent No.:** **US D629,226 S**
(45) **Date of Patent:** **** Dec. 21, 2010**

(54) **CHAIR**
(75) Inventor: **Ashley Thorfinnson**, Brooklyn, NY
(US)
(73) Assignee: **Starwood Hotels & Resorts**
Worldwide, Inc., White Plains, NY (US)
(**) Term: **14 Years**

CA	19684	12/1954
CA	22135	11/1958
CA	22255	2/1959
CA	22256	2/1959
CA	33059	11/1970
CA	80694	5/1997
CN	01345102.2	5/2002
CN	200630193220.7	10/2007
EM	607601-1	10/2006

(21) Appl. No.: **29/314,872**

(Continued)

(22) Filed: **May 5, 2009**

OTHER PUBLICATIONS

(51) **LOC (9) Cl.** **06-04**
(52) **U.S. Cl.** **D6/379**
(58) **Field of Classification Search** D6/334,
D6/369, 347, 379, 380, 500-502; 297/411.42,
297/445.1, 446.1, 447.1, 448.1, 452.63, 452.64
See application file for complete search history.

Bellacor, Mercado Guest Chair, Website screenshot, May 2, 2009.

Primary Examiner—Elizabeth A Albert
Assistant Examiner—Kelley A Donnelly
(74) *Attorney, Agent, or Firm*—Fross Zelnick Lehrman &
Zissu, P.C.; Charles T. J. Weigell, Esq.

(56) **References Cited**

(57) **CLAIM**

U.S. PATENT DOCUMENTS

The ornamental design for a chair, as shown and described.

D172,003 S	4/1954	Burkhead	
D204,451 S	4/1966	Straits et al.	
D372,596 S	8/1996	Reinhard	
D389,329 S *	1/1998	Krause et al.	D6/370
D413,028 S *	8/1999	Kaiser	D6/373
D419,790 S *	2/2000	Rhienen	D6/369
D437,134 S *	2/2001	Anderson et al.	D6/368
D437,139 S *	2/2001	Beck	D6/379
D457,344 S *	5/2002	Grosfillex	D6/379
D513,454 S *	1/2006	Berry et al.	D6/370
D518,657 S *	4/2006	Gehry	D6/375
D547,964 S *	8/2007	Olano	D6/379
D593,338 S *	6/2009	Schweikarth et al.	D6/379

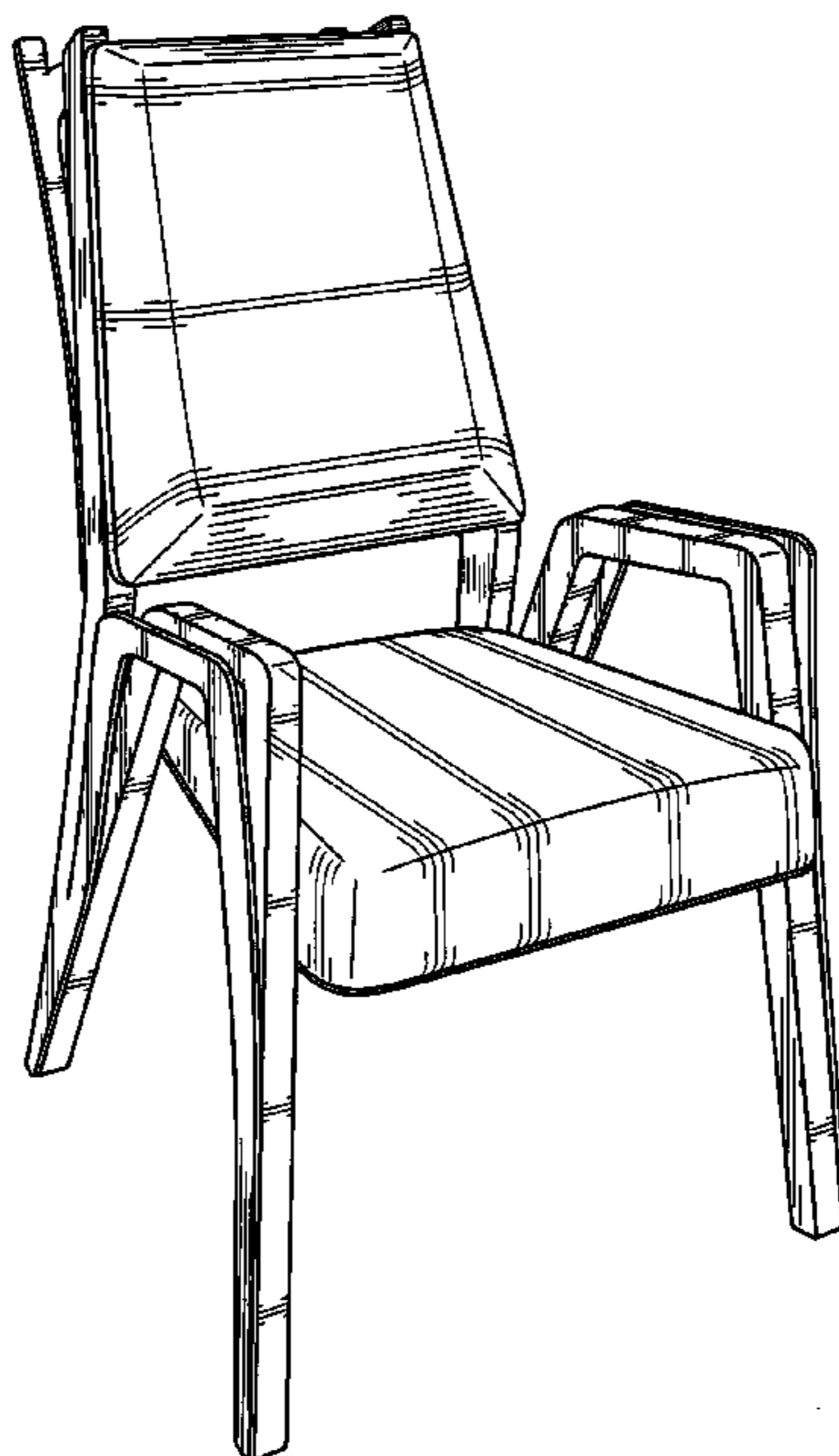
DESCRIPTION

FIG. 1 is a front perspective view of a chair showing my new design;
FIG. 2 is a left side view of the chair shown in FIG. 1 (with the right side view being a mirror image thereof);
FIG. 3 is a front view of the chair shown in FIG. 1;
FIG. 4 is a rear view of the chair shown in FIG. 1;
FIG. 5 is a top view of the chair shown in FIG. 1; and,
FIG. 6 is a bottom view of the chair shown in FIG. 1.

FOREIGN PATENT DOCUMENTS

CA 19523 3/1954

1 Claim, 5 Drawing Sheets



US D629,226 S

Page 2

FOREIGN PATENT DOCUMENTS			WO	DM/048496	4/1999
EM	781786-9	8/2007	WO	DM/050436	1/2000
EM	876230-3	2/2008	WO	DM/052515	3/2000
WO	DM/003335	1/1984	WO	DM/053169	8/2000
WO	DM/003430	2/1984	WO	DM/054702	10/2000
WO	DM/034337	10/1995	WO	DM/061513	10/2002
WO	DM/047434	4/1999	WO	DM/070140	2/2008
WO	DM/047454	4/1999	* cited by examiner		



FIG. 1

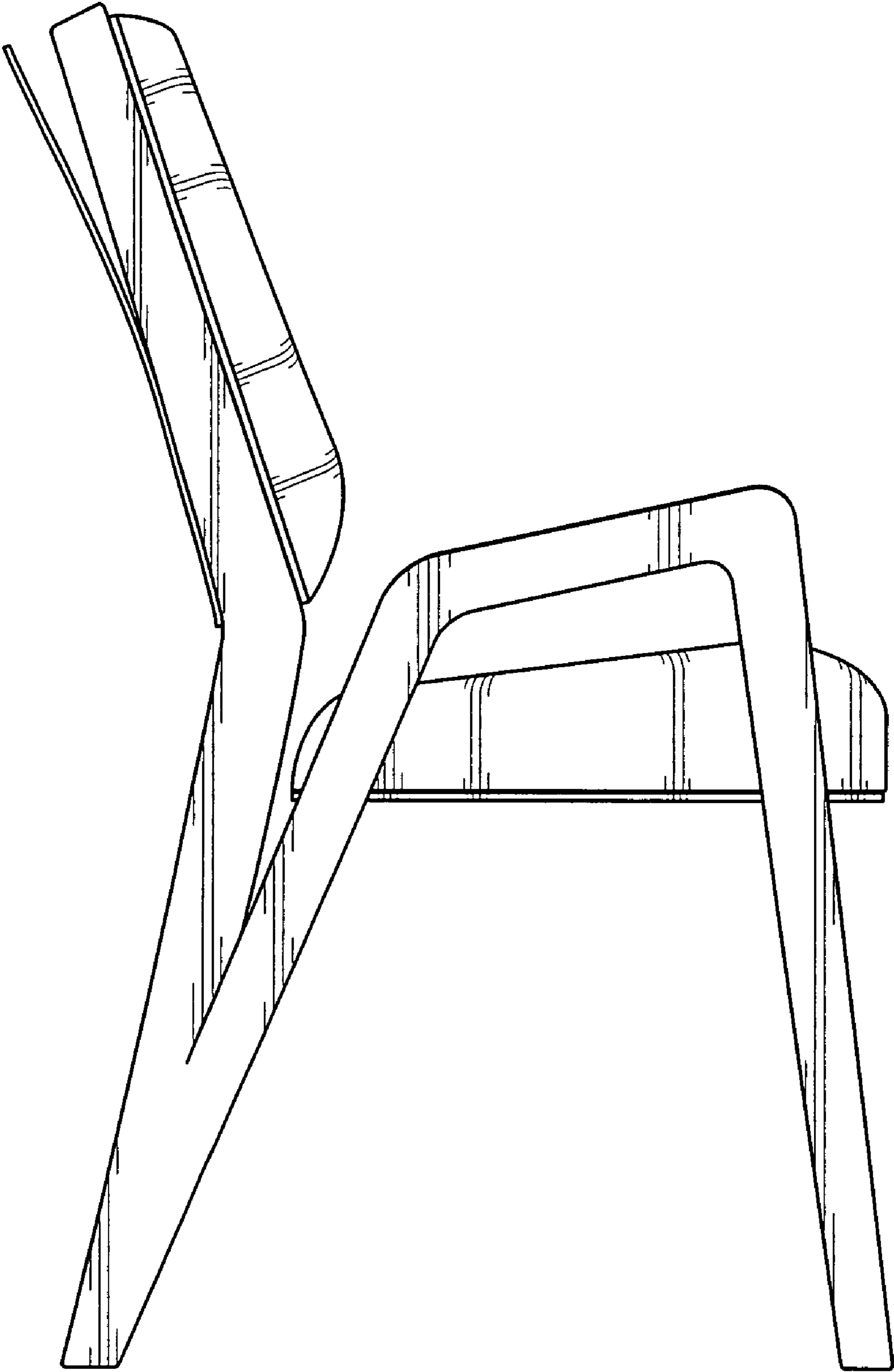


FIG. 2

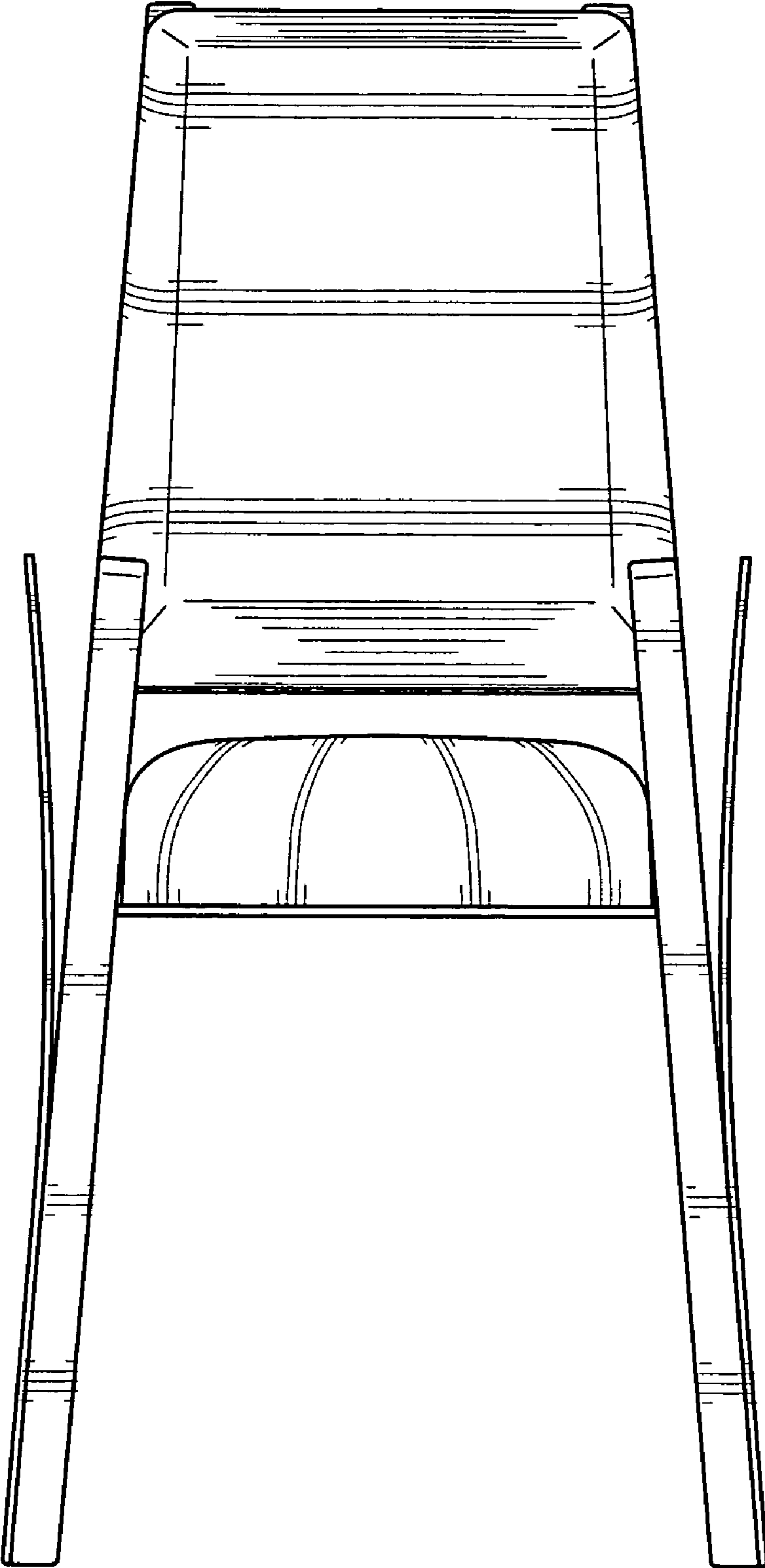


FIG. 3

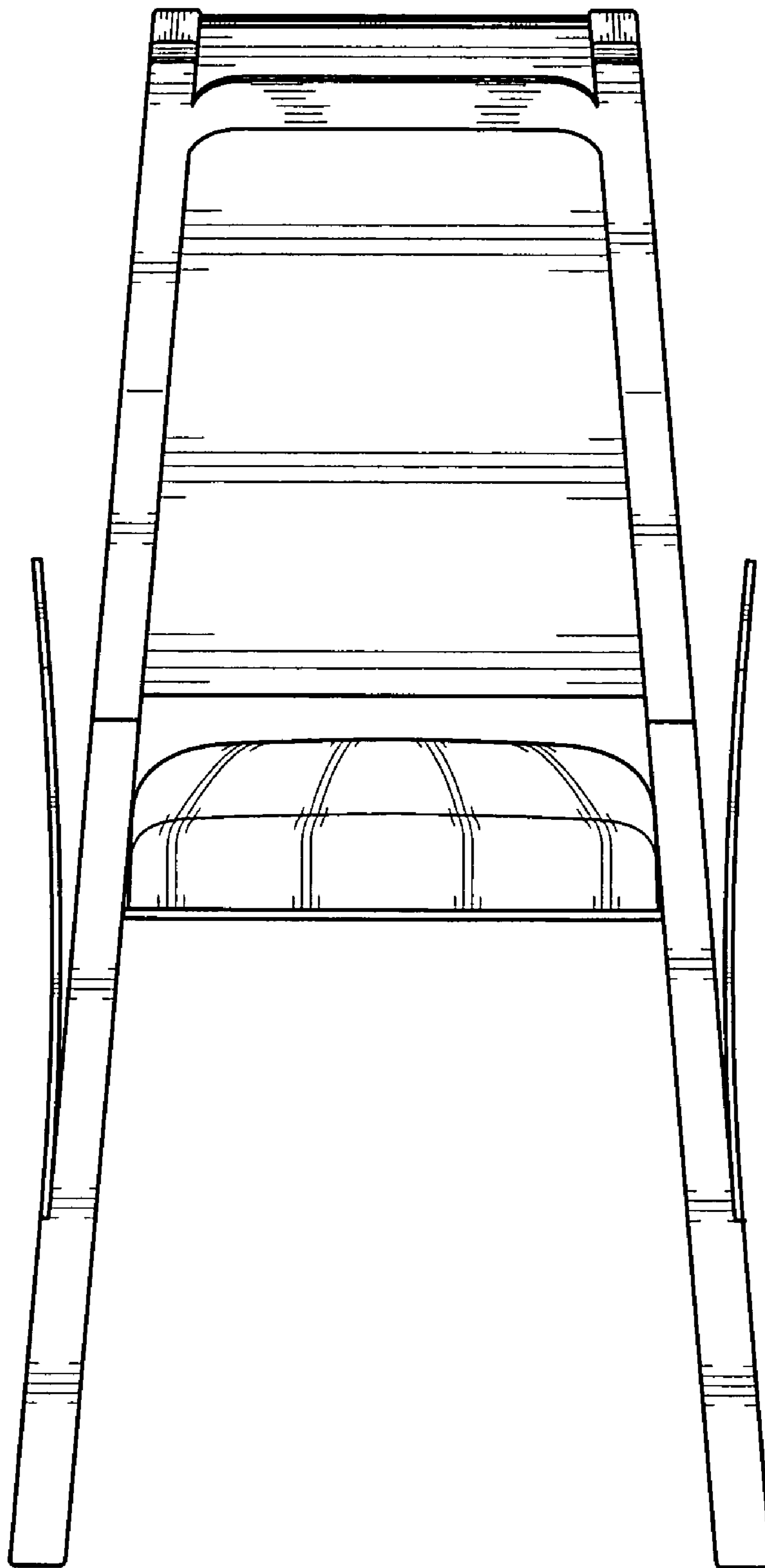


FIG. 4

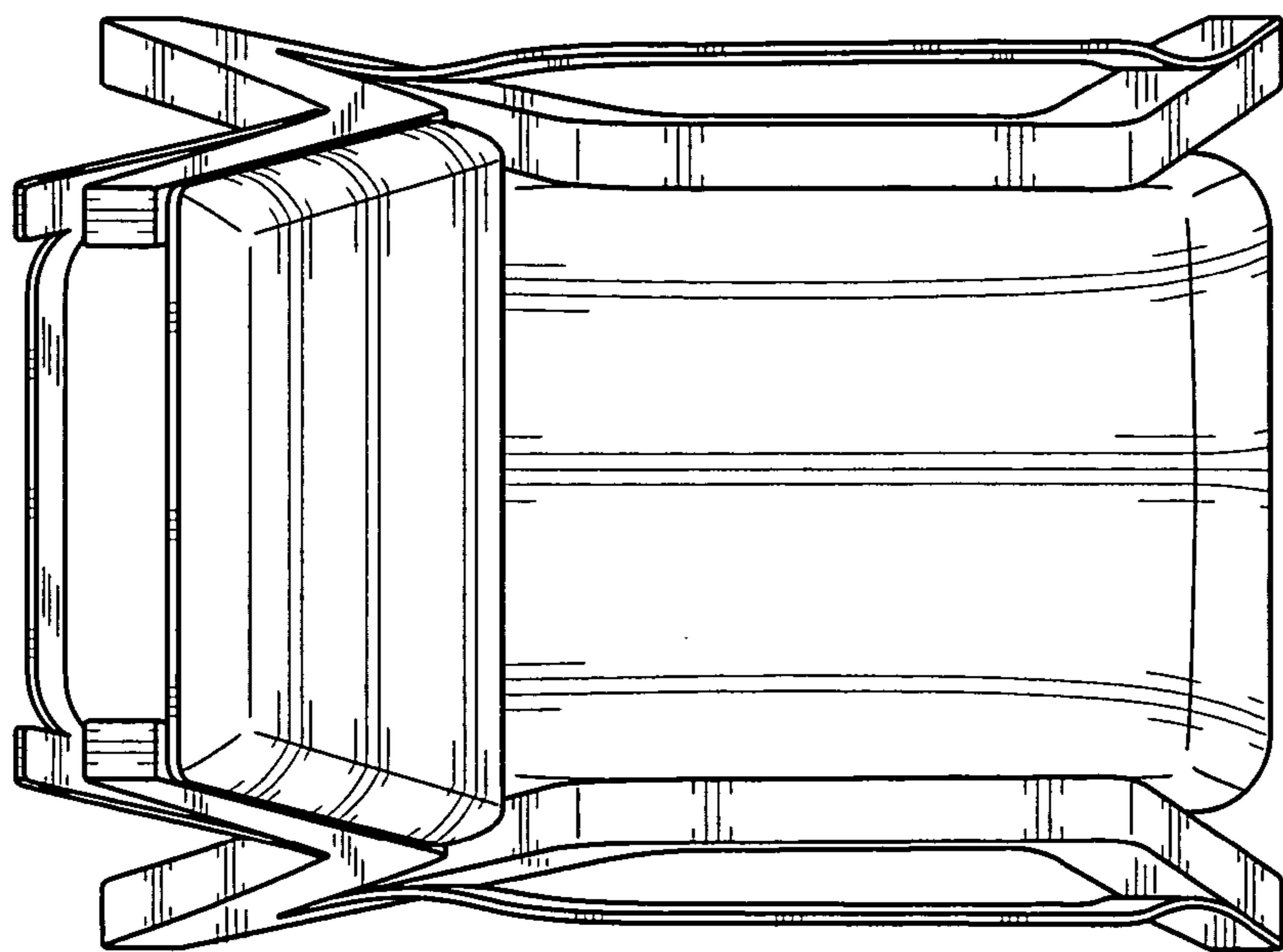


FIG. 5

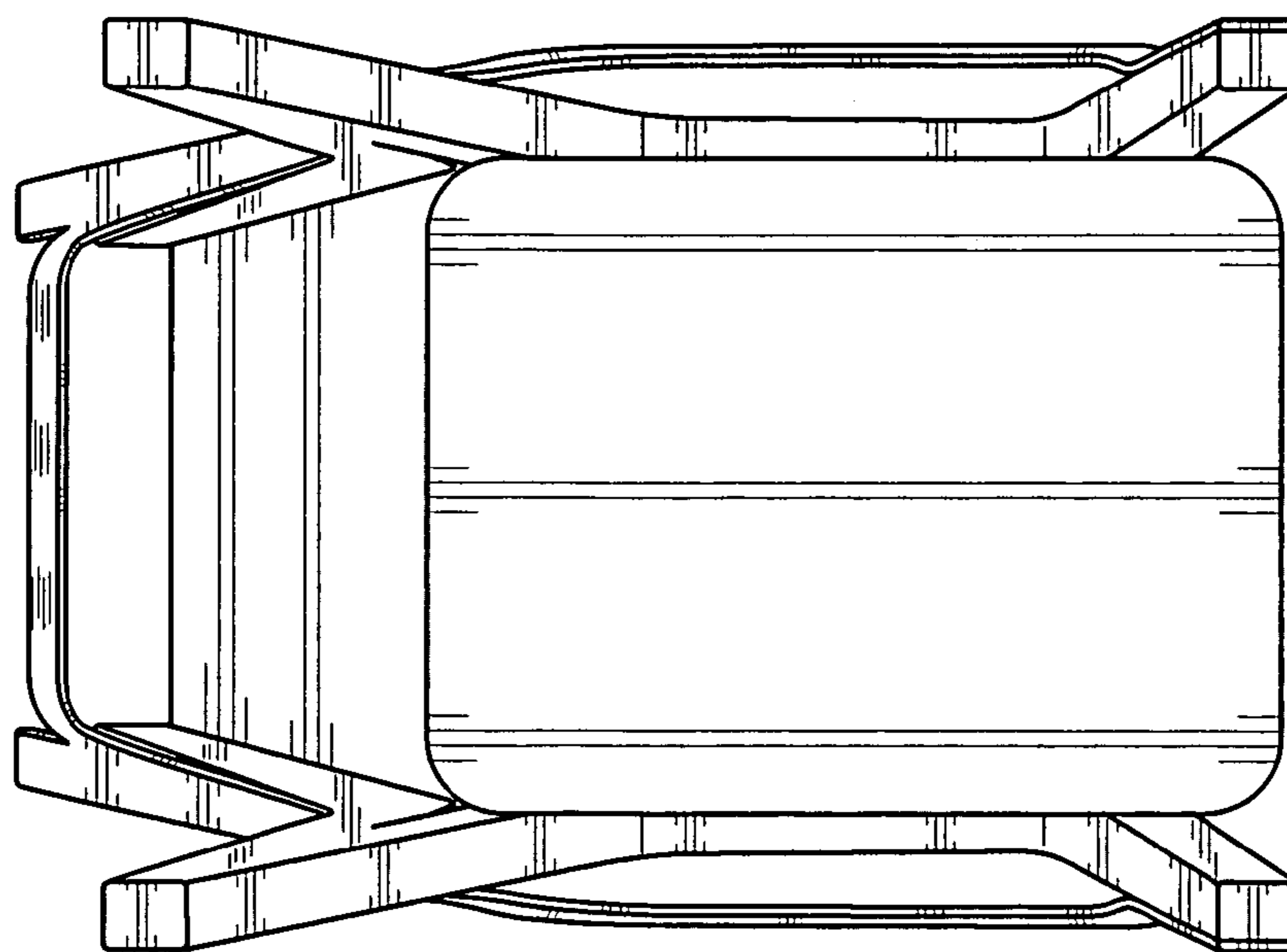


FIG. 6