

US00D629225S

(12) **United States Design Patent**  
**Nouvel**

(10) **Patent No.:** **US D629,225 S**

(45) **Date of Patent:** **\*\* Dec. 21, 2010**

(54) **ARMCHAIR**

(75) Inventor: **Jean Nouvel**, Milan (IT)

(73) Assignee: **Molteni & C. S.p.A.**, Giussano, Milan (IT)

(\*\*) Term: **14 Years**

(21) Appl. No.: **29/326,342**

(22) Filed: **Oct. 16, 2008**

(30) **Foreign Application Priority Data**

Apr. 16, 2008 (IT) ..... MI20089O000067

(51) **LOC (9) Cl.** ..... **06-01**

(52) **U.S. Cl.** ..... **D6/375**

(58) **Field of Classification Search** ..... D6/334,  
D6/335, 336, 361, 365, 367, 373, 374, 375,  
D6/376, 379, 380, 381, 500-502; 297/232,  
297/440.23, 445.1, 446.1, 447.1, 447.2, 451.3,  
297/452.19

See application file for complete search history.

(56) **References Cited**

**U.S. PATENT DOCUMENTS**

3,717,378 A \* 2/1973 Jackson ..... 297/447.2  
D240,311 S \* 6/1976 Owens ..... D6/375  
4,092,049 A \* 5/1978 Schoblom ..... 297/440.23

D257,087 S \* 9/1980 Roset ..... D6/334  
D267,525 S \* 1/1983 Snodgrass ..... D6/373  
D271,825 S \* 12/1983 Snodgrass ..... D6/373  
D290,912 S \* 7/1987 Rodriquez ..... D6/367  
D308,141 S \* 5/1990 Genova et al. .... D6/334  
D539,045 S \* 3/2007 Mourgue ..... D6/334  
D550,473 S \* 9/2007 Mourgue ..... D6/381  
D551,872 S \* 10/2007 Bouroullec et al. .... D6/381  
D559,576 S \* 1/2008 Bauchet ..... D6/381

\* cited by examiner

*Primary Examiner*—Mimosa De

(74) *Attorney, Agent, or Firm*—Shoemaker and Mattare

(57) **CLAIM**

The ornamental design for an armchair, as shown and described.

**DESCRIPTION**

FIG. 1 is a perspective view of an armchair, showing my new design from the front, right side and above;

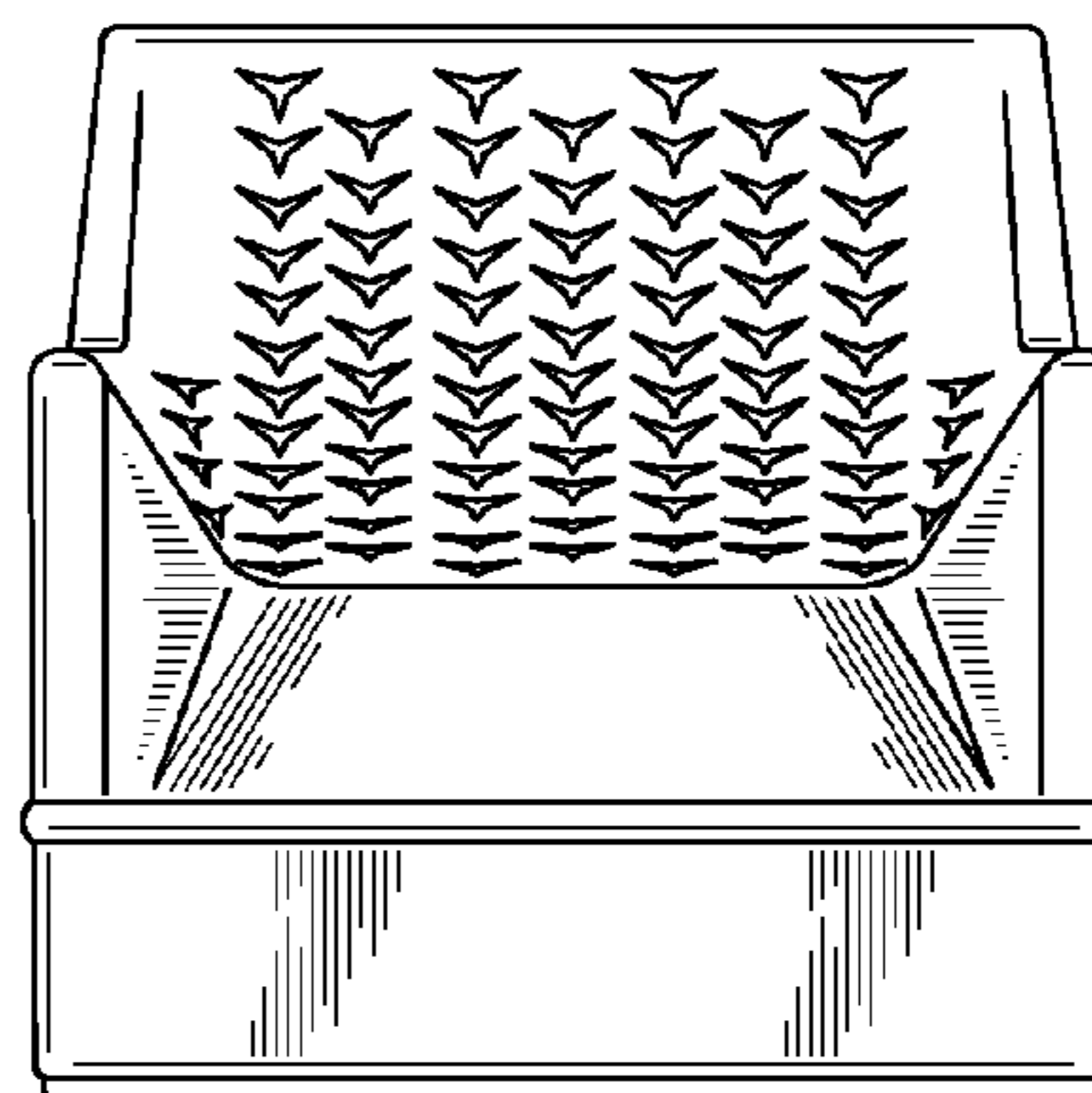
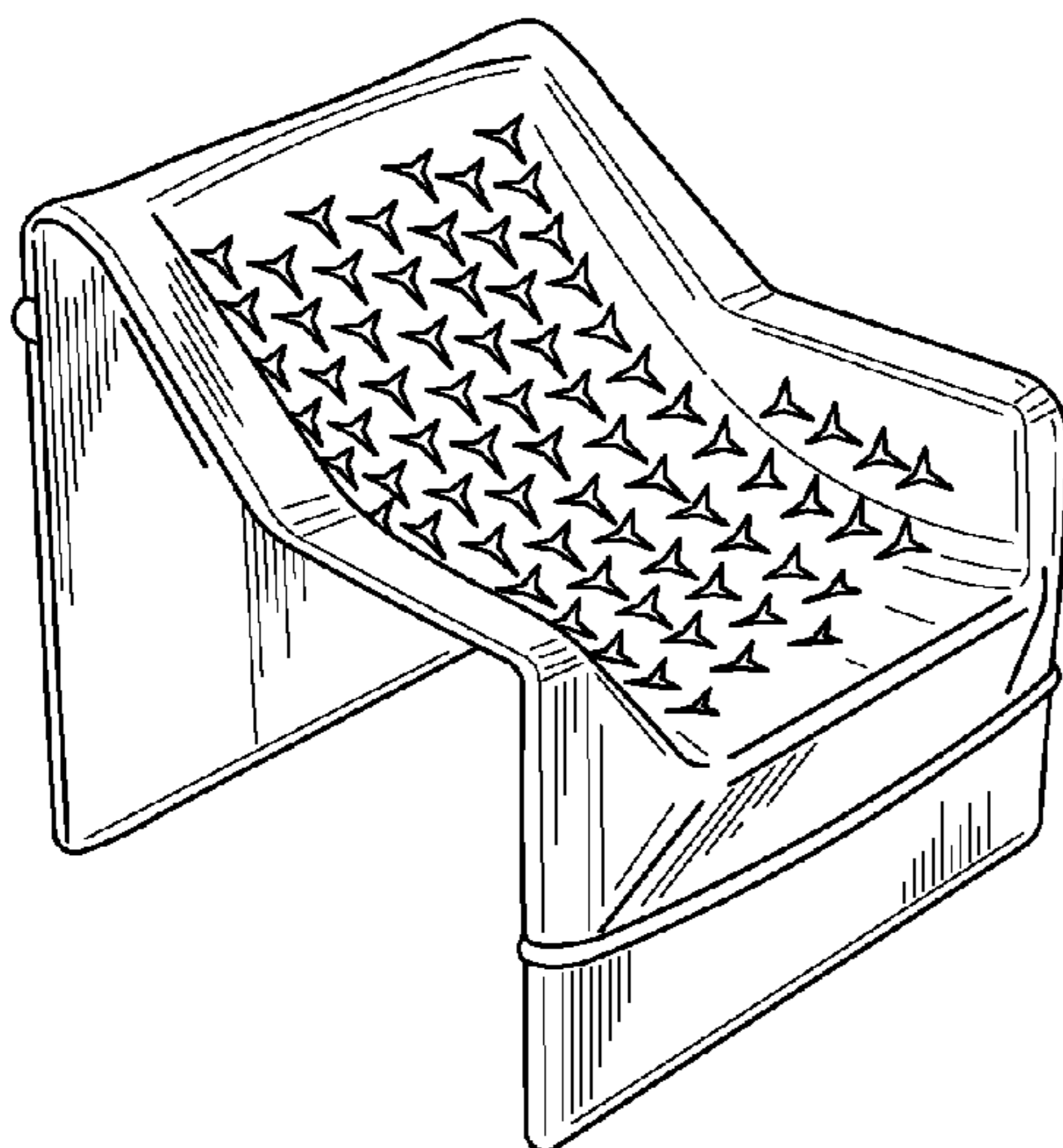
FIG. 2 is a perspective view thereof from the front, left side and above;

FIG. 3 is a left side elevational view thereof;

FIG. 4 is a front elevational view thereof; and,

FIG. 5 is a top plan view thereof.

**1 Claim, 2 Drawing Sheets**



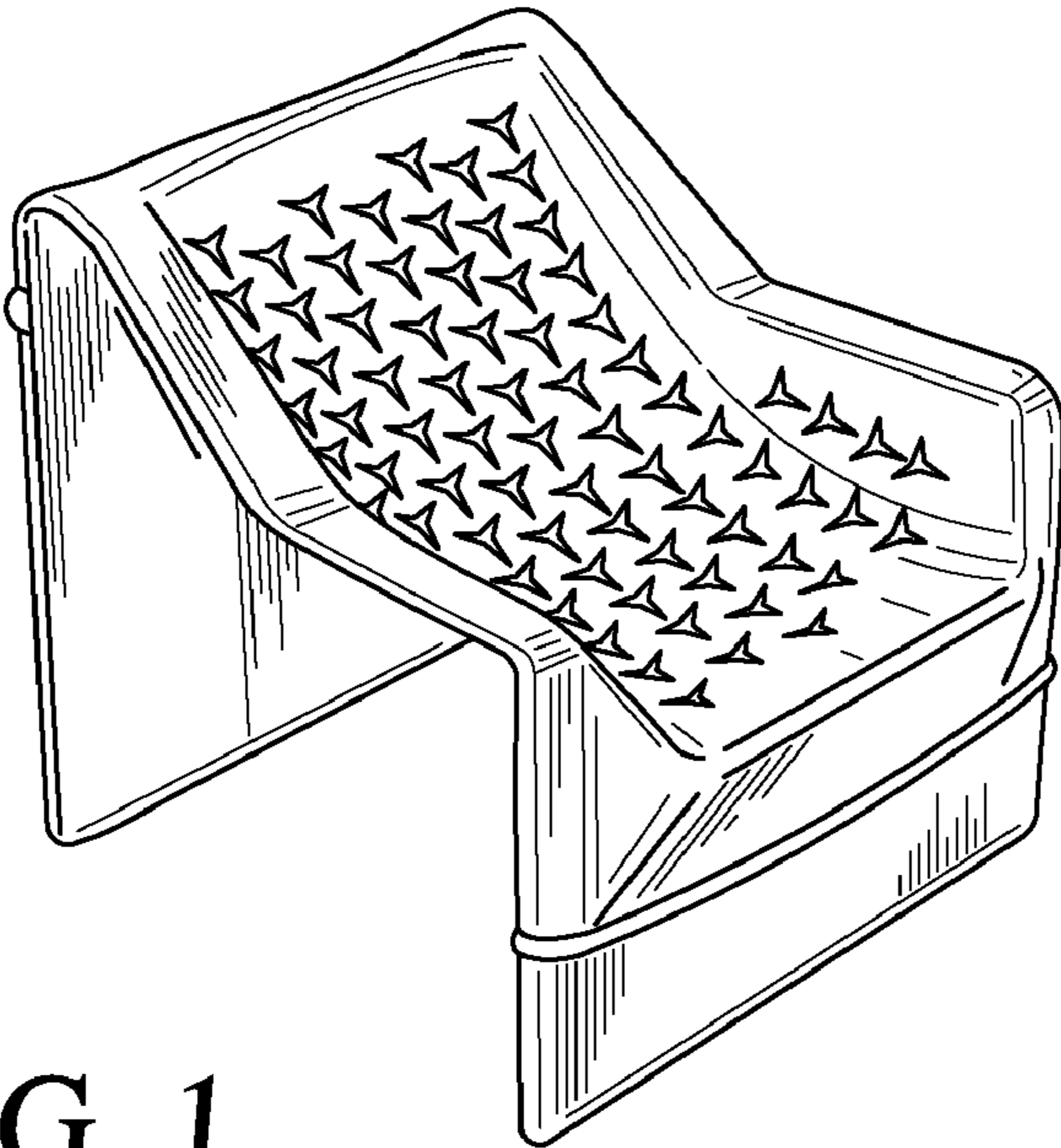


FIG. 1

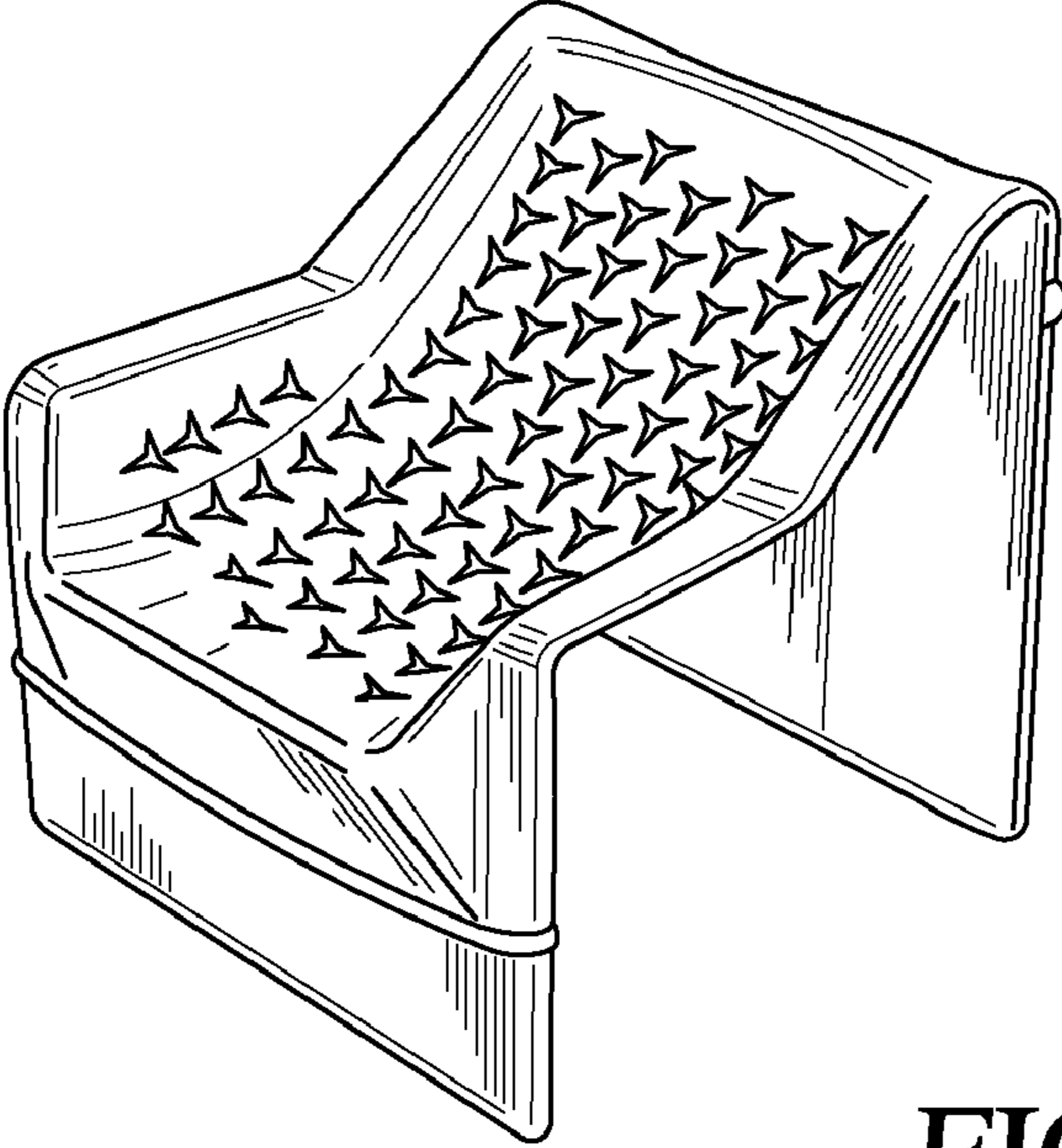


FIG. 2

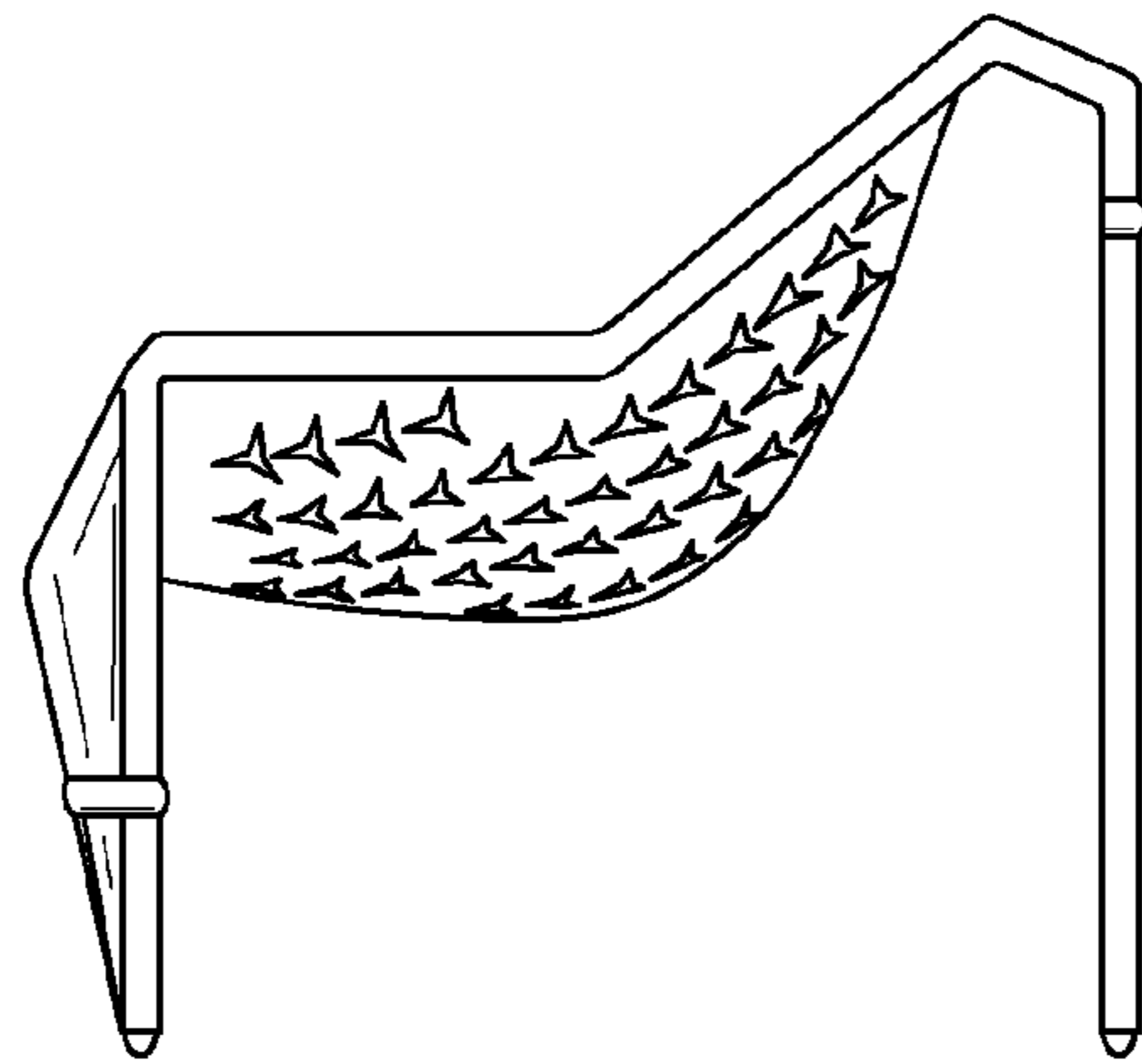


FIG. 3

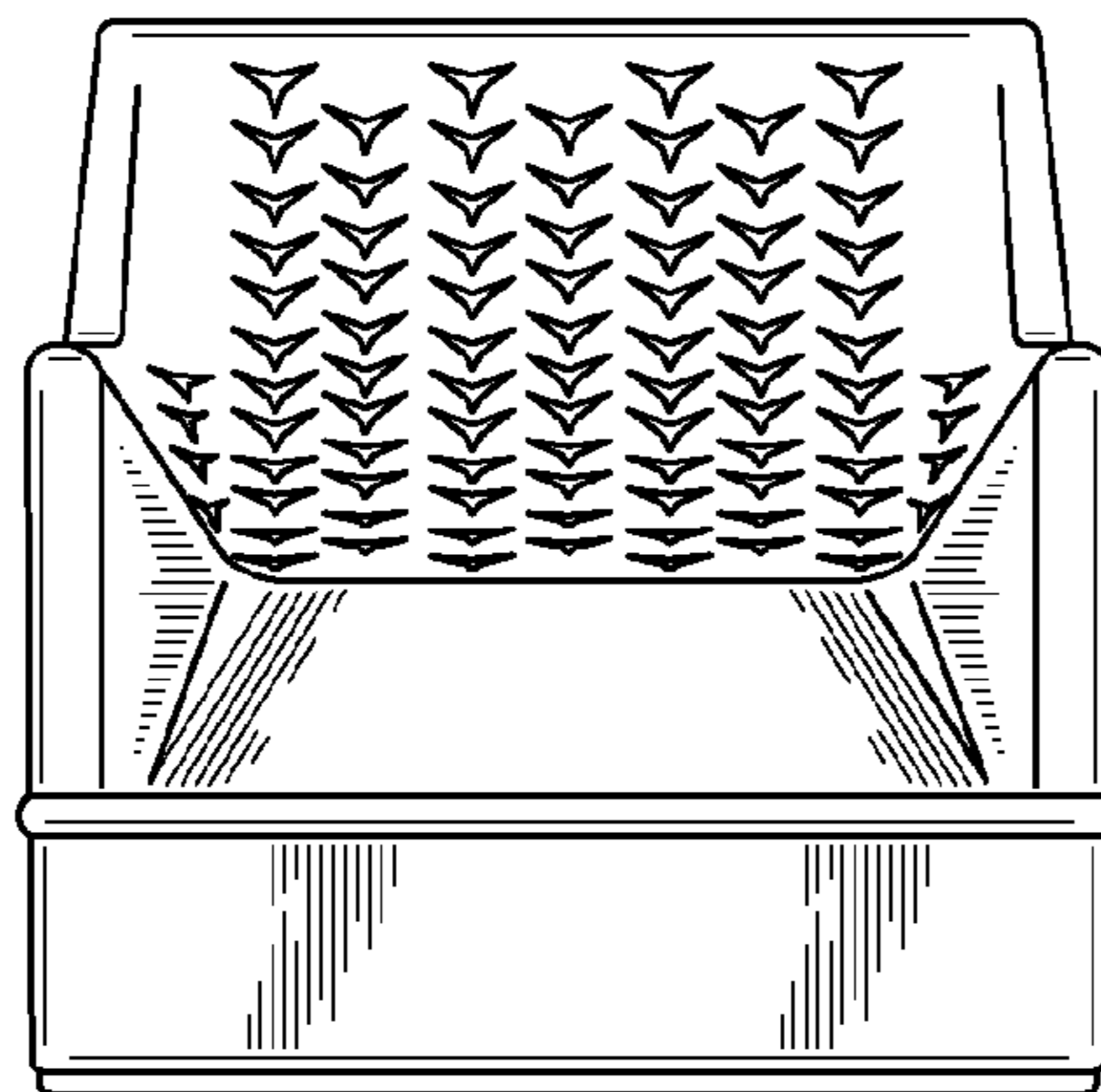


FIG. 4

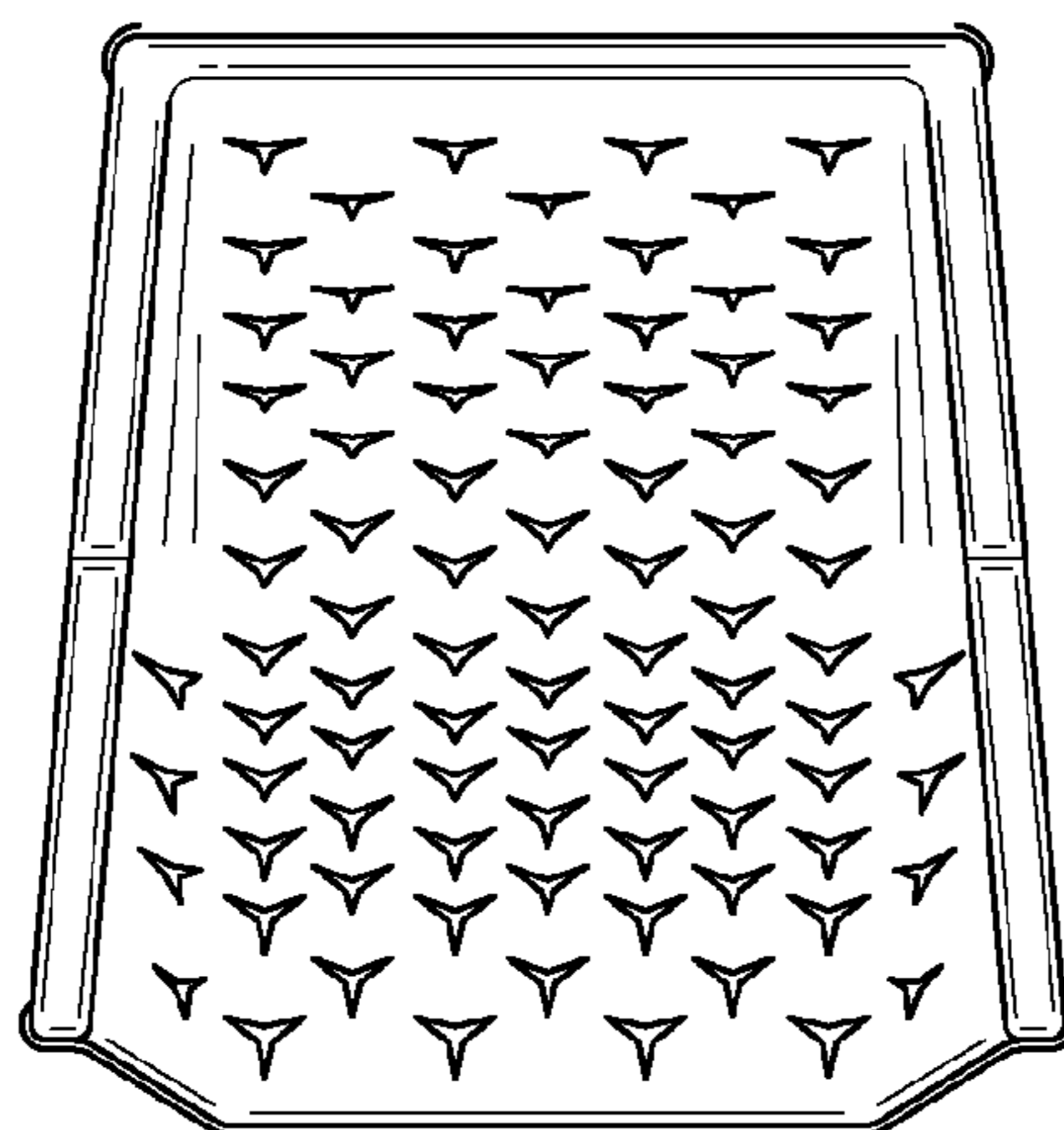


FIG. 5