



US00D629224S

(12) **United States Design Patent**  
**Oliveros**

(10) **Patent No.:** **US D629,224 S**

(45) **Date of Patent:** **\*\* Dec. 21, 2010**

(54) **CHAIR**

D485,693 S \* 1/2004 Frinier ..... D6/375  
D496,172 S \* 9/2004 Pluer ..... D6/376  
D497,491 S \* 10/2004 Pluer ..... D6/376

(75) Inventor: **Emmanuel Oliveros**, Brooklyn, NY  
(US)

(Continued)

(73) Assignee: **Starwood Hotels & Resorts**  
**Worldwide, Inc.**, White Plains, NY (US)

FOREIGN PATENT DOCUMENTS

CA 34648 11/1971

(Continued)

(\*\*) Term: **14 Years**

*Primary Examiner*—Elizabeth A Albert

*Assistant Examiner*—Kelley A Donnelly

(21) Appl. No.: **29/314,873**

(74) *Attorney, Agent, or Firm*—Fross Zelnick Lehrman &  
Zissu, P.C.; Charles T. J. Weigell, Esq.

(22) Filed: **May 5, 2009**

(51) **LOC (9) Cl.** ..... **06-04**

(52) **U.S. Cl.** ..... **D6/375**

(58) **Field of Classification Search** ..... D6/370–376,  
D6/379–380, 500–502, 334; 297/411.42,  
297/445.1, 446.1, 447.1, 448.1, 452.63

See application file for complete search history.

(57) **CLAIM**

The ornamental design for a chair, as shown and described.

(56) **References Cited**

U.S. PATENT DOCUMENTS

D79,320 S 9/1929 Anderson  
D124,987 S 2/1941 Wright  
D174,496 S 4/1955 Freedman et al.  
D337,448 S 7/1993 Heidmann  
D344,194 S \* 2/1994 Gibbs ..... D6/373  
D359,173 S \* 6/1995 Arthur, Jr. .... D6/370  
D360,083 S 7/1995 Lohmeyer  
D366,573 S \* 1/1996 Hess ..... D6/373  
D393,158 S 4/1998 Smith  
D416,142 S \* 11/1999 Donnelly ..... D6/379  
D426,971 S \* 6/2000 Tseng ..... D6/375  
D431,727 S \* 10/2000 Bell ..... D6/373  
D450,945 S 11/2001 Lo  
D459,101 S \* 6/2002 Pluer ..... D6/375  
D463,149 S \* 9/2002 Levy ..... D6/375  
D469,972 S \* 2/2003 Vanderminden, Sr. .... D6/375

**DESCRIPTION**

FIG. 1 is a front perspective view of a chair showing my new design;

FIG. 2 is a left side view of the chair shown in FIG. 1 (with the right side view being a mirror image thereof);

FIG. 3 is a front view of the chair shown in FIG. 1;

FIG. 4 is a rear view of the chair shown in FIG. 1;

FIG. 5 is a top view of the chair shown in FIG. 1;

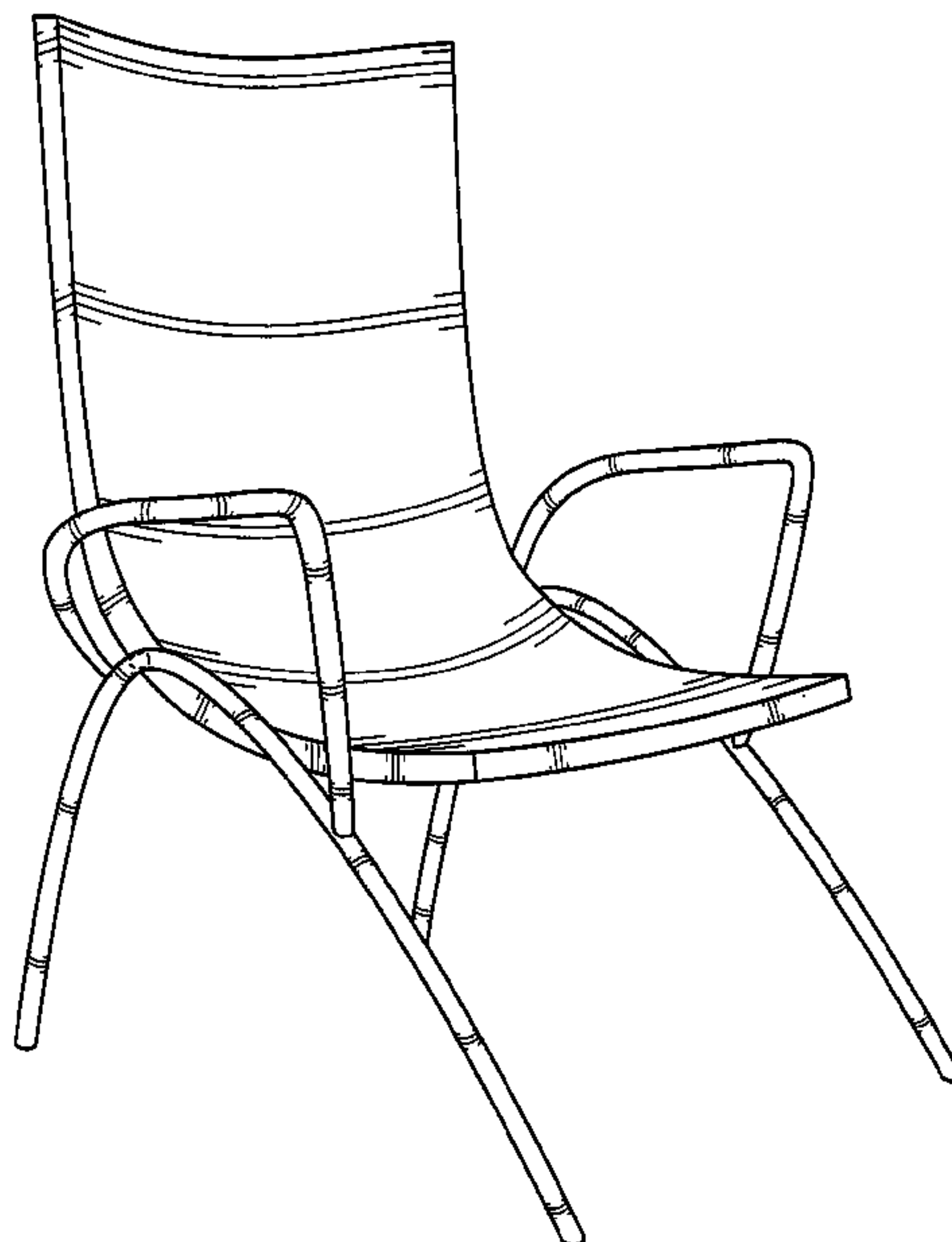
FIG. 6 is a bottom view of the chair shown in FIG. 1;

FIG. 7 is a front perspective view of the chair shown in FIG. 1, in a half folded position; and,

FIG. 8 is a front perspective view of the chair shown in FIG. 1, in a fully folded position.

The broken lines showing of the side fasteners is included for the purpose of illustrating environment of the design and forms no part of the claimed design.

**1 Claim, 7 Drawing Sheets**



# US D629,224 S

## U.S. PATENT DOCUMENTS

D511,629 S	*	11/2005	Caldwell .....	D6/375
D518,657 S	*	4/2006	Gehry .....	D6/375
D564,248 S	*	3/2008	Molina et al. ....	D6/373
D564,770 S	*	3/2008	Molina et al. ....	D6/371
D566,412 S	*	4/2008	de Brabandere et al. ....	D6/375
D581,686 S	*	12/2008	Miller et al. ....	D6/360
D581,688 S	*	12/2008	Miller et al. ....	D6/375
D586,576 S	*	2/2009	Garbers .....	D6/373
D600,464 S	*	9/2009	Olano Jauregui .....	D6/373
D606,329 S	*	12/2009	Van Duysen .....	D6/375
D609,484 S	*	2/2010	Satoshi .....	D6/368
2004/0207240 A1	*	10/2004	Tondino .....	297/248

## FOREIGN PATENT DOCUMENTS

CA	34691	11/1971
CA	81900	9/1997
CA	102233	9/2005
CA	105821	9/2005
CA	105822	9/2005
CA	109598	4/2006
CA	106804	8/2006
CN	200430040270.2	12/2004
CN	200530029141.8	4/2006
CN	200730114780.3	3/2008
EM	75890-8	9/2003
WO	DM/003870	6/1984
WO	DM/006926	5/1986
WO	DM/007530	9/1986

WO	DM/009703	11/1987
WO	DM/016889	6/1990
WO	DM/017130	7/1990
WO	DM/018097	11/1990
WO	DM/021310	12/1991
WO	DM/021660	1/1992
WO	DM/046303	12/1998
WO	DM/047454	4/1999
WO	DM/051575	6/1999
WO	DM/049094	9/1999
WO	DM/050384	1/2000
WO	DM/052084	4/2000
WO	DM/053189	9/2000
WO	DM/053566	9/2000
WO	DM/054811	10/2000
WO	DM/055822	12/2000
WO	DM/056483	12/2000
WO	DM/056424	4/2001
WO	DM/057212	9/2001
WO	DM/058878	2/2002
WO	DM/061361	9/2002
WO	DM/062637	9/2002
WO	DM/061569	10/2002
WO	DM/064621	7/2003
WO	DM/067902	2/2005
WO	DM/066621	4/2005
WO	DM/067440	1/2006
WO	DM/071261	9/2008

\* cited by examiner

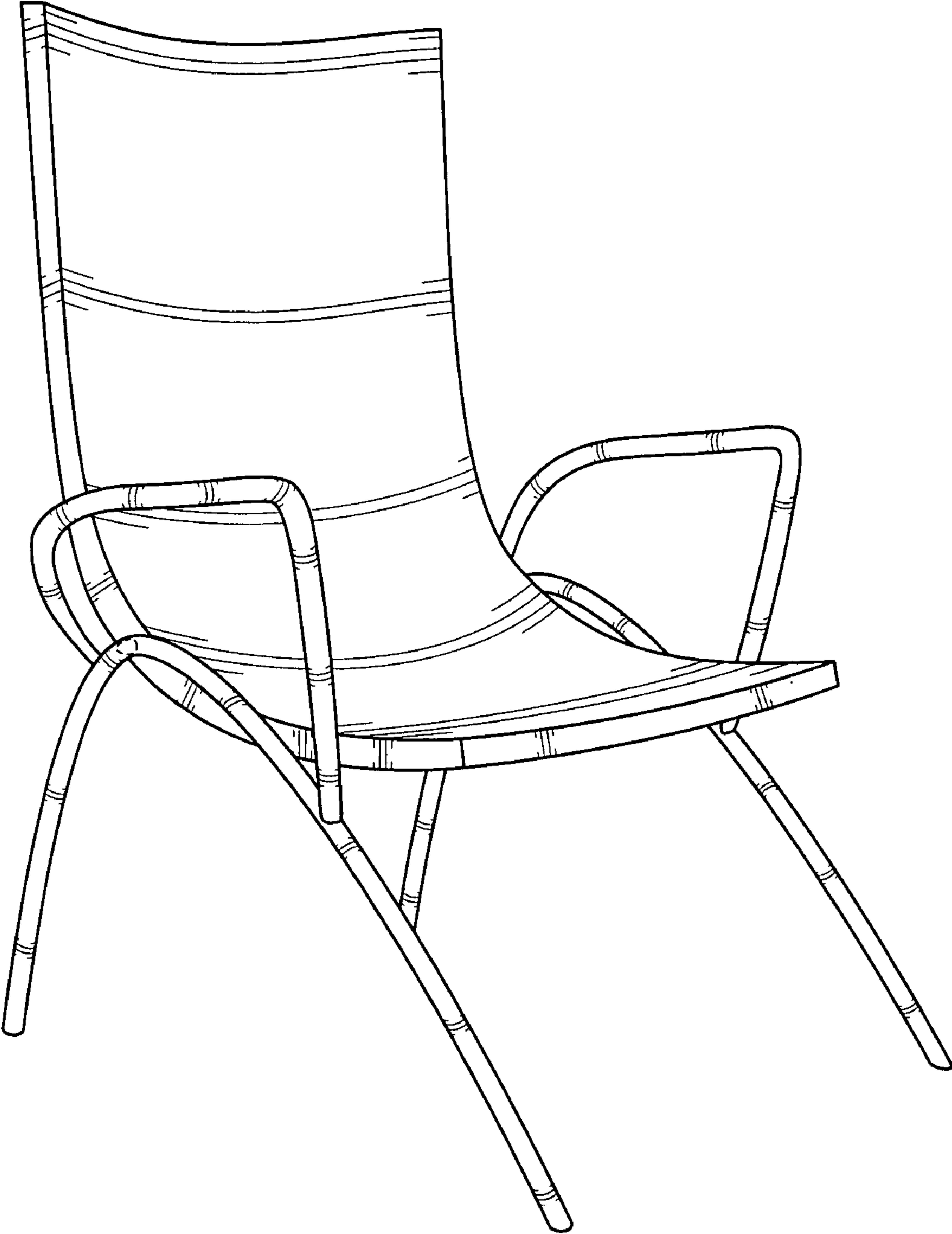


FIG. 1

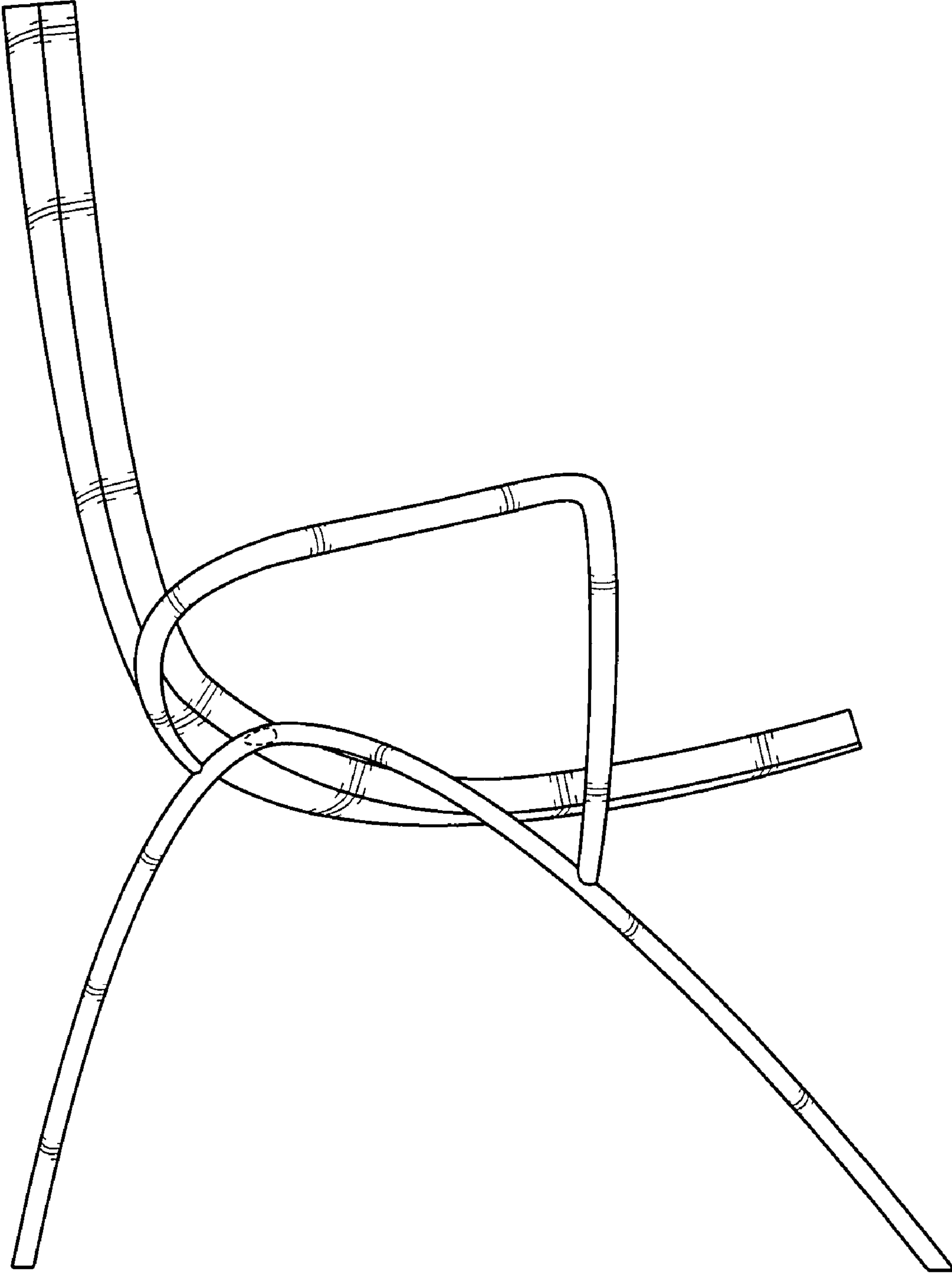


FIG. 2

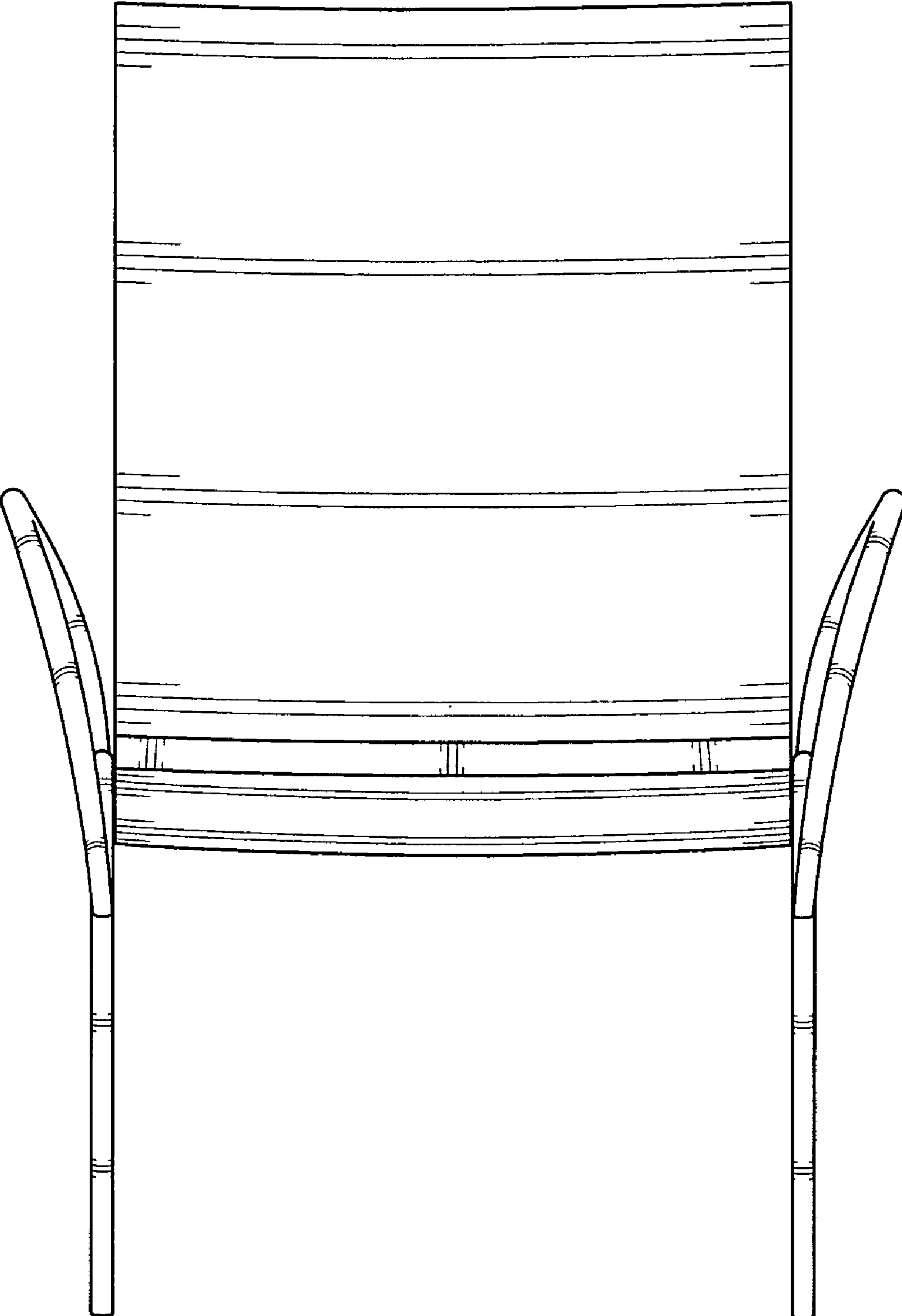


FIG. 3

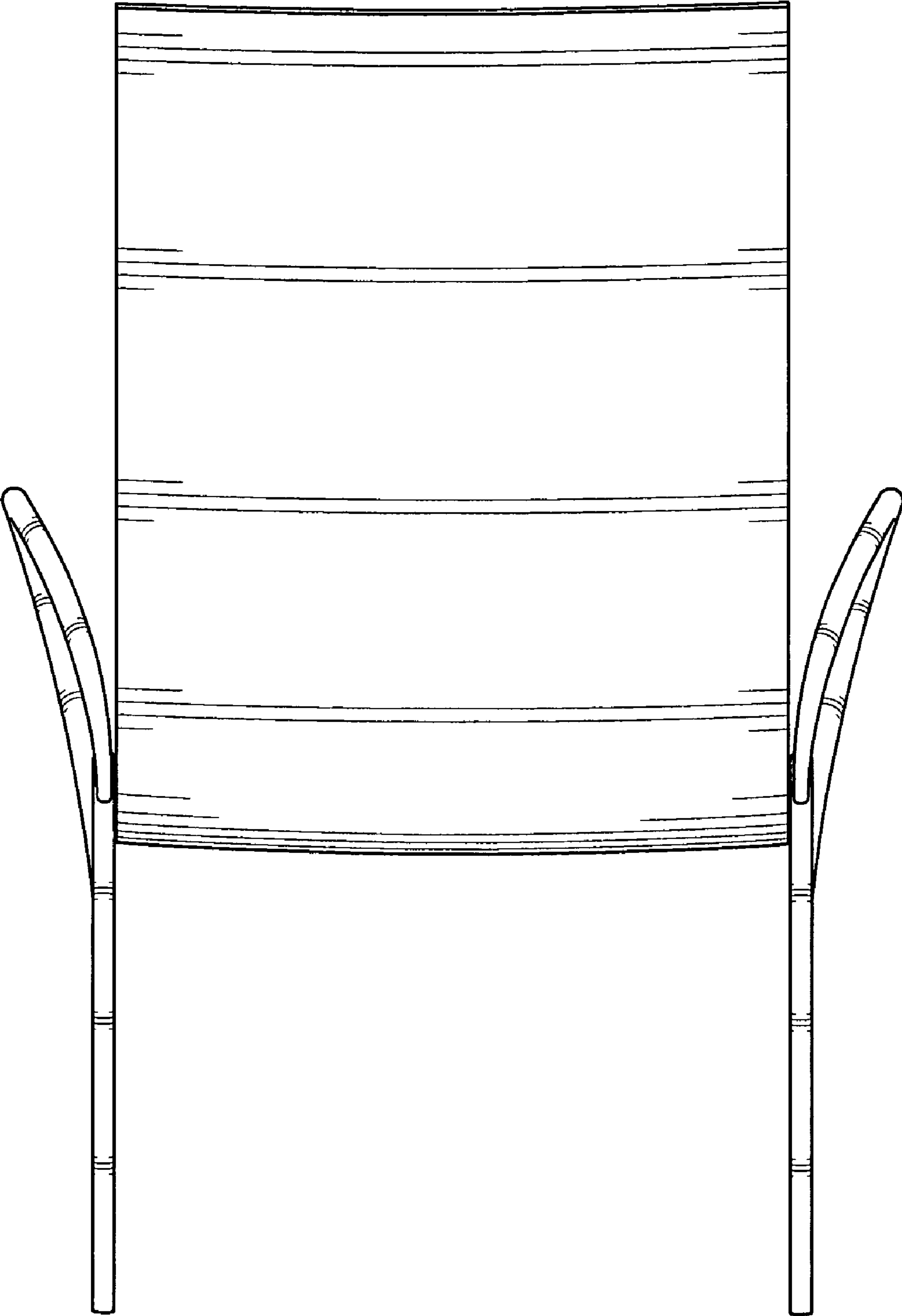


FIG. 4



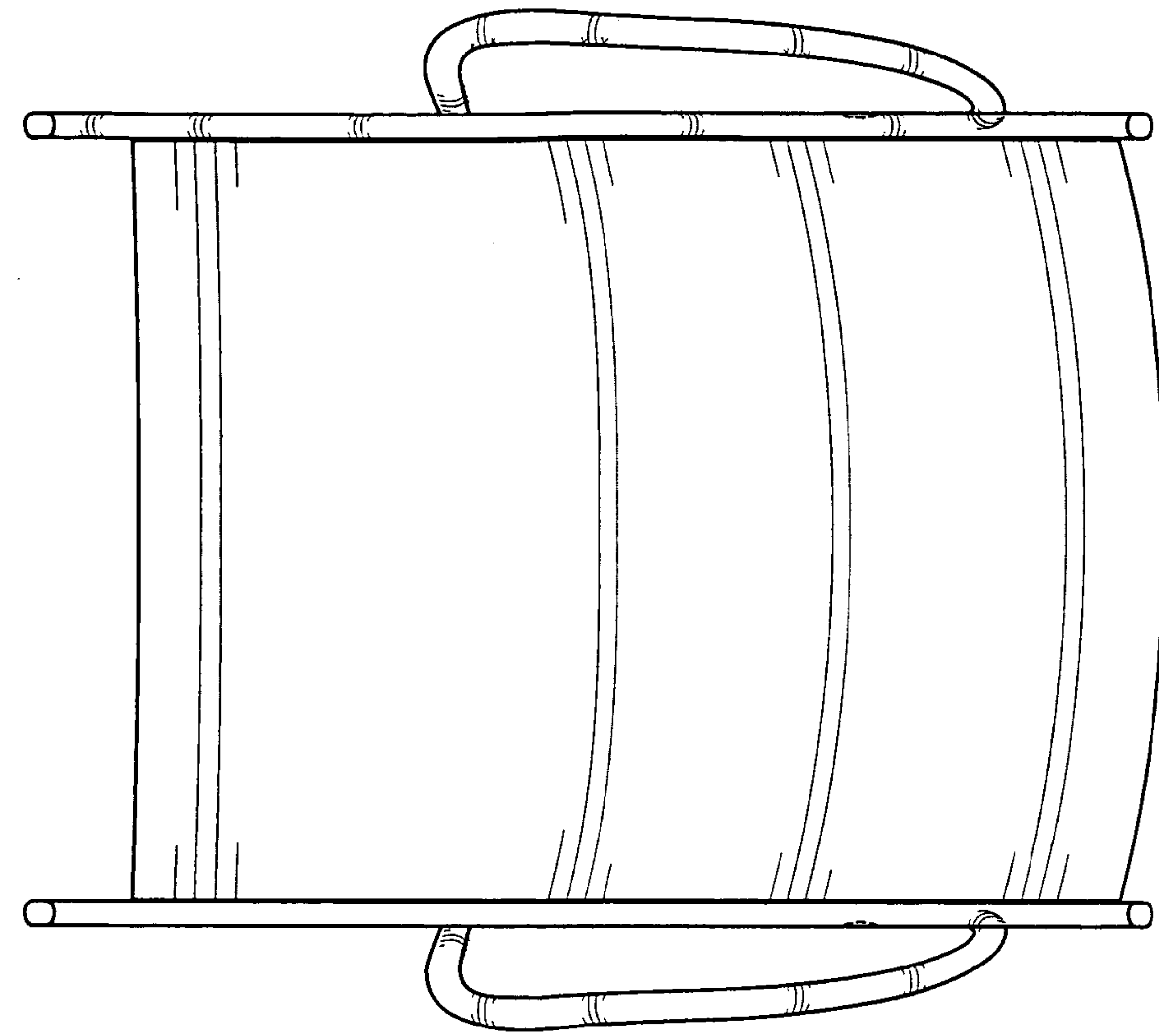


FIG. 6

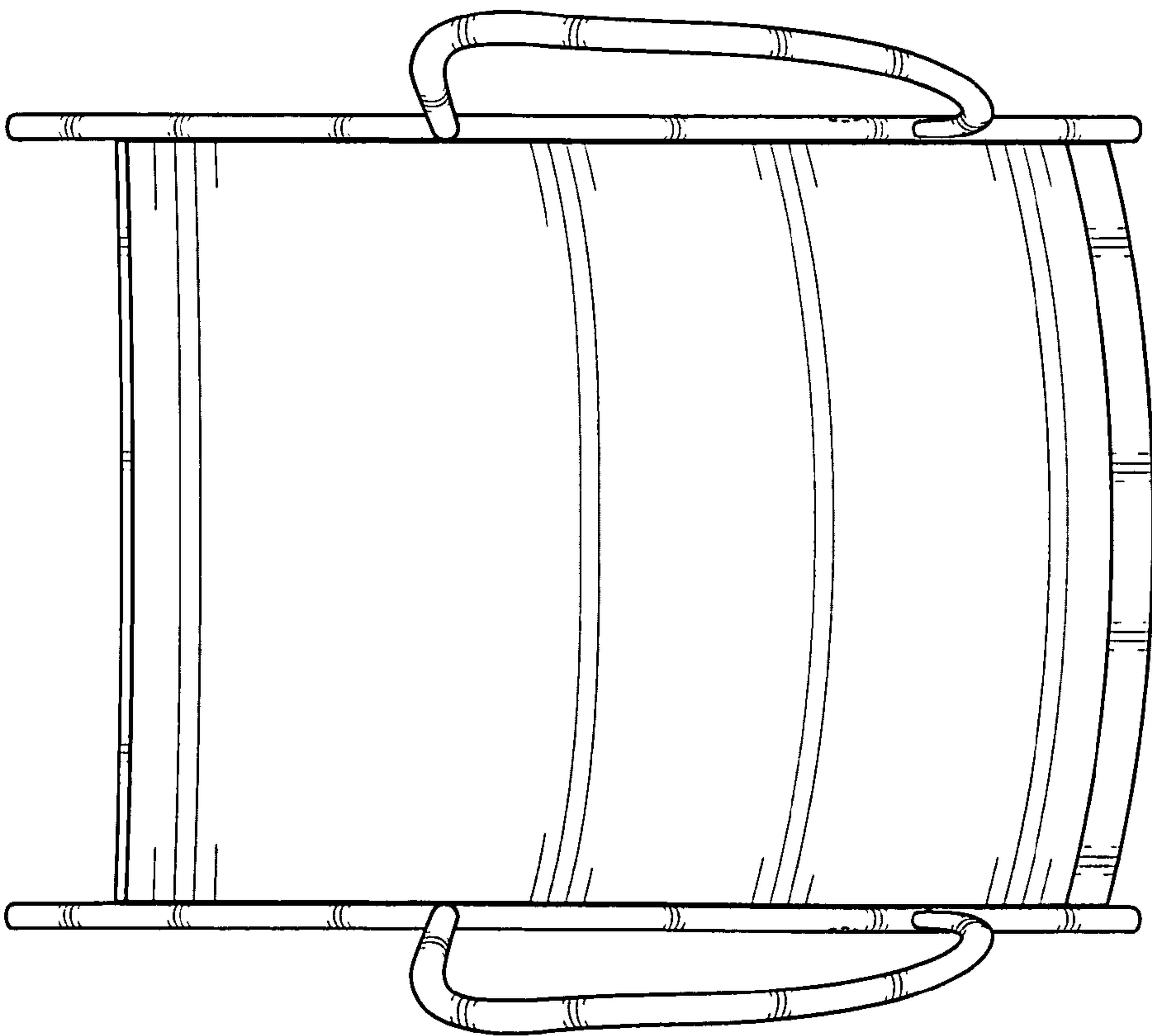


FIG. 5

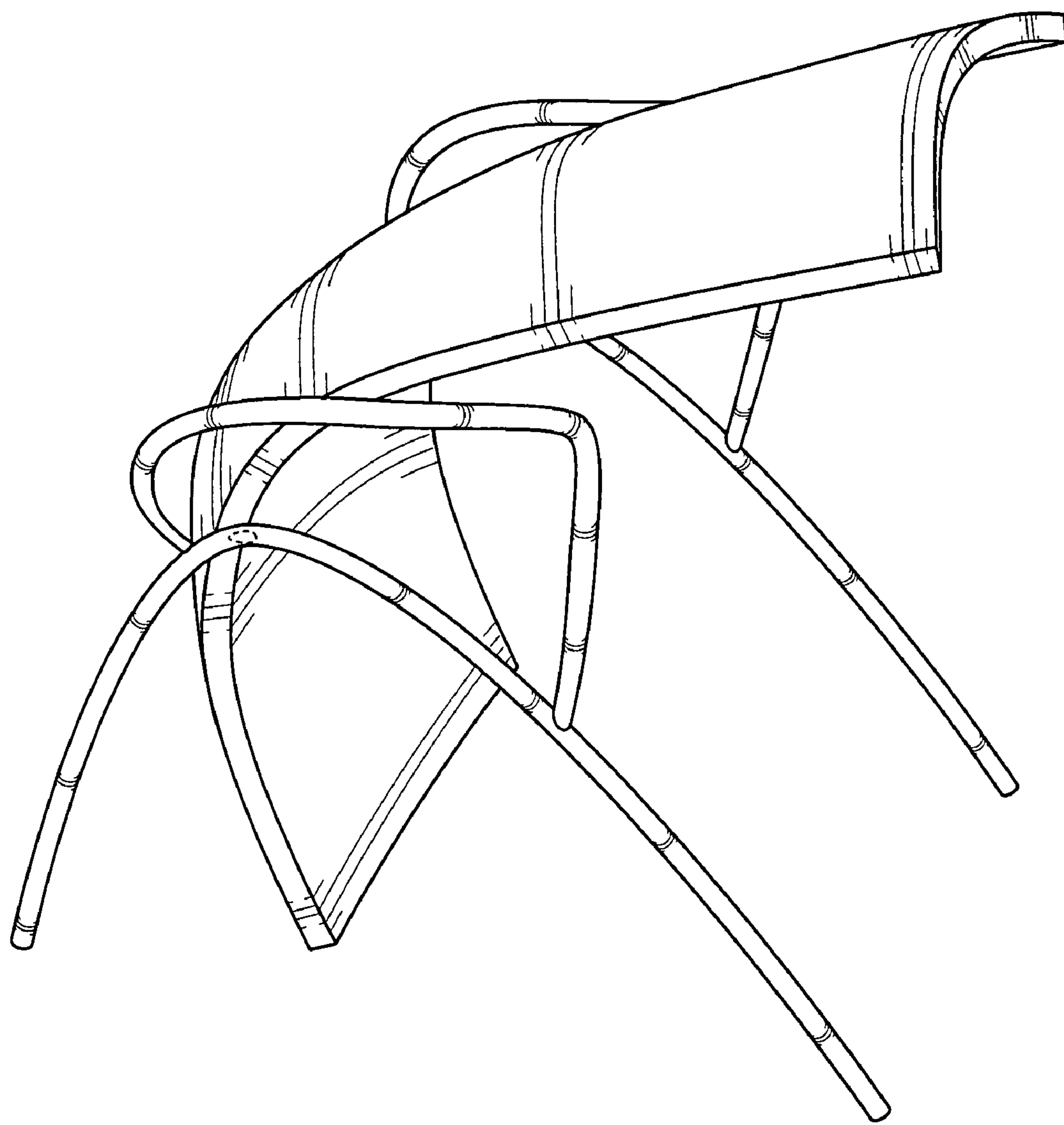


FIG. 7



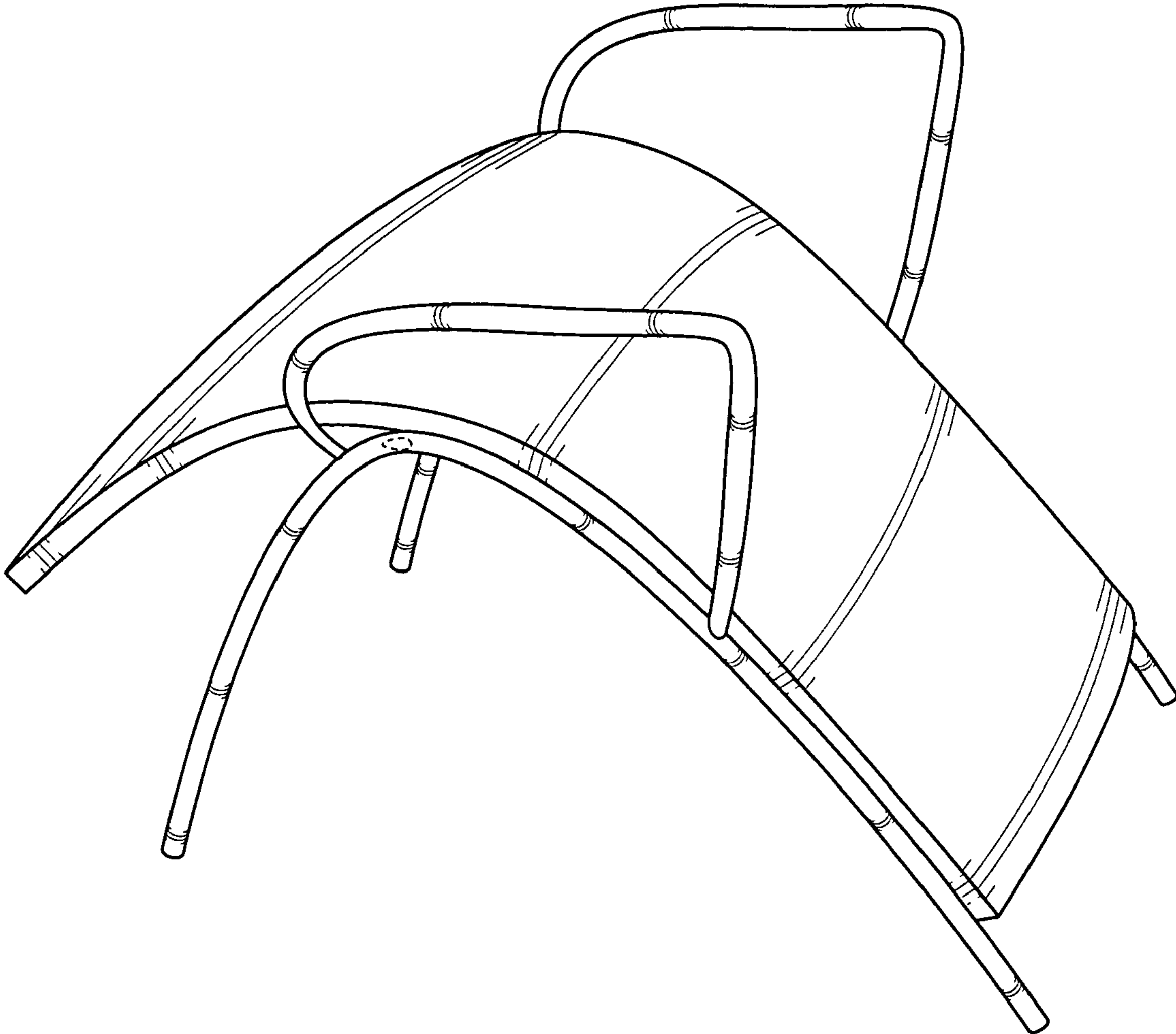


FIG. 8