



US00D629223S

(12) **United States Design Patent**
Swy

(10) **Patent No.:** **US D629,223 S**

(45) **Date of Patent:** **** Dec. 21, 2010**

(54) **CHAIR**

(75) Inventor: **Philip P. Swy**, Temperance, MI (US)

(73) Assignee: **Michigan Tube Swagers & Fabricators, Inc.**, Temperance, MI (US)

(**) Term: **14 Years**

(21) Appl. No.: **29/365,848**

(22) Filed: **Jul. 15, 2010**

Related U.S. Application Data

(62) Division of application No. 29/326,504, filed on Oct. 20, 2008.

(51) **LOC (9) Cl.** **06-01**

(52) **U.S. Cl.** **D6/374; D6/380**

(58) **Field of Classification Search** D6/334-336,
D6/371, 372, 373, 374, 375, 376, 379, 380,
D6/500-502; 297/183.1, 183.7, 239, 445.1,
297/446.1, 448.1, 452.38, 452.48

See application file for complete search history.

(56) **References Cited**

U.S. PATENT DOCUMENTS

3,203,731	A *	8/1965	Krueger	297/239
3,856,352	A *	12/1974	Jacobi, Sr.	297/239
7,052,083	B2 *	5/2006	Peitz et al.	297/183.1
D602,278	S	10/2009	Kubryk		
D602,279	S	10/2009	Kubryk		
D607,226	S *	1/2010	Kubryk	D6/380
D607,655	S *	1/2010	Kubryk	D6/380
D607,657	S *	1/2010	Kubryk	D6/380
D607,659	S *	1/2010	Kubryk	D6/380
D608,105	S *	1/2010	Kubryk	D6/380

OTHER PUBLICATIONS

Printout from SKS Australia website: www.sksaustralia.com.au/chairs.html, dated Jul. 13, 2010 (believed to have been offered for sale, publicly used, and/or published prior to the filing date of this application).

(Continued)

Primary Examiner—Mimosa De

(74) *Attorney, Agent, or Firm*—Gifford, Krass, Sprinkle, Anderson & Citkowski, P.C.

(57) **CLAIM**

The ornamental design for a chair, as shown and described.

DESCRIPTION

FIG. 1 is a perspective view of a chair according to a first embodiment of the present invention;

FIG. 2 is a side elevational view of the chair of FIG. 1, the opposite side being a mirror image thereof;

FIG. 3 is a front elevational view of the chair of FIGS. 1 and 2;

FIG. 4 is a rear elevational view of the chair of FIGS. 1-3;

FIG. 5 is a top view of the chair of FIGS. 1-4;

FIG. 6 is a bottom view of the chair of FIG. 1-5;

FIG. 7 is a perspective view of an alternative version of the chair of FIG. 1;

FIG. 8 is a side elevational view of the chair of FIG. 7, the opposite side being a mirror image thereof;

FIG. 9 is a front elevational view of the chair of FIGS. 7 and 8;

FIG. 10 is a rear elevational view of the chair of FIGS. 7-9;

FIG. 11 is a top view of the chair of FIGS. 7-10;

FIG. 12 is a bottom view of the chair of FIGS. 7-11;

FIG. 13 is a perspective view of another alternative version of the chair of FIG. 1;

FIG. 14 is a side elevational view of the chair of FIG. 13, the opposite side being a mirror image thereof;

FIG. 15 is a front elevational view of the chair of FIGS. 13 and 14;

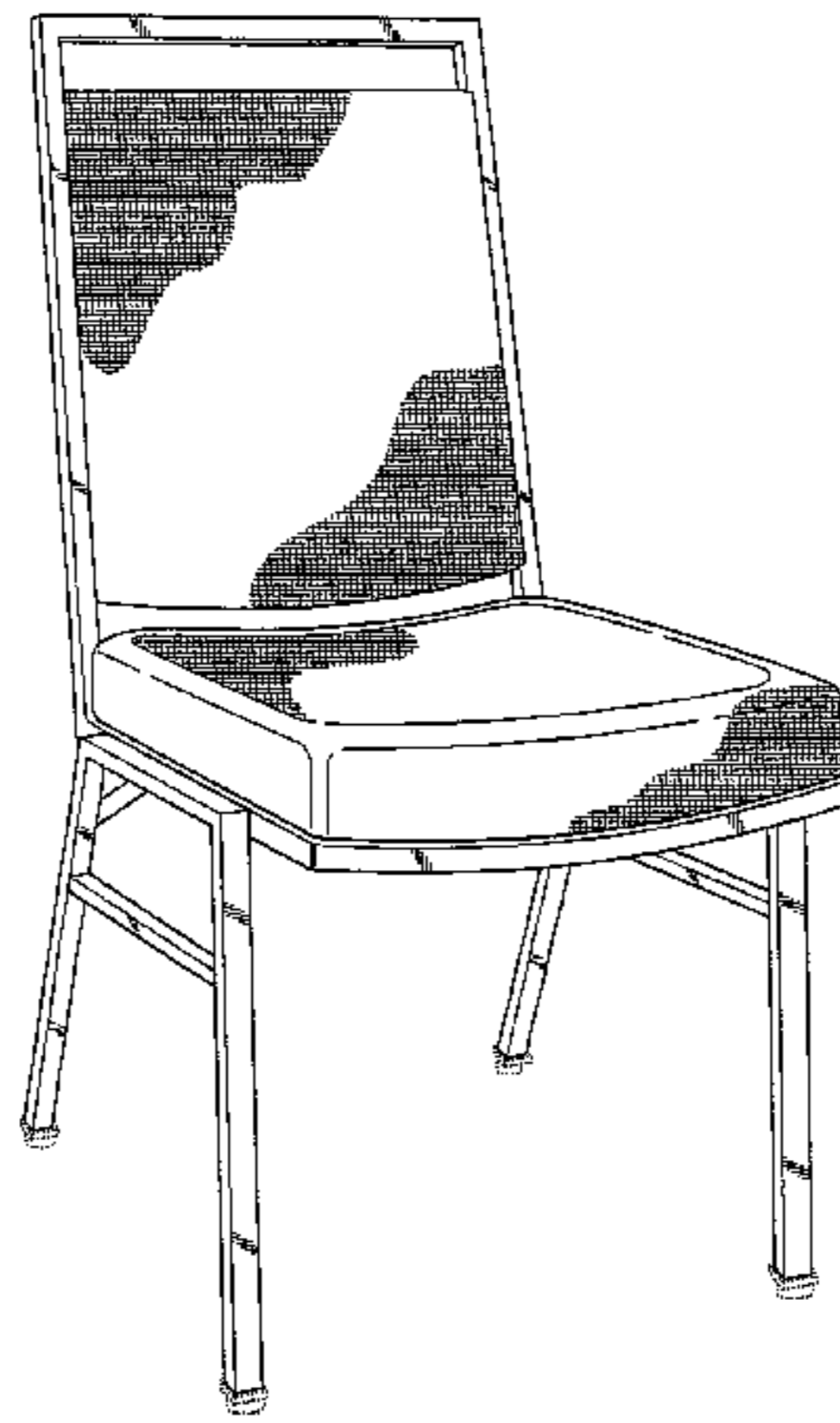
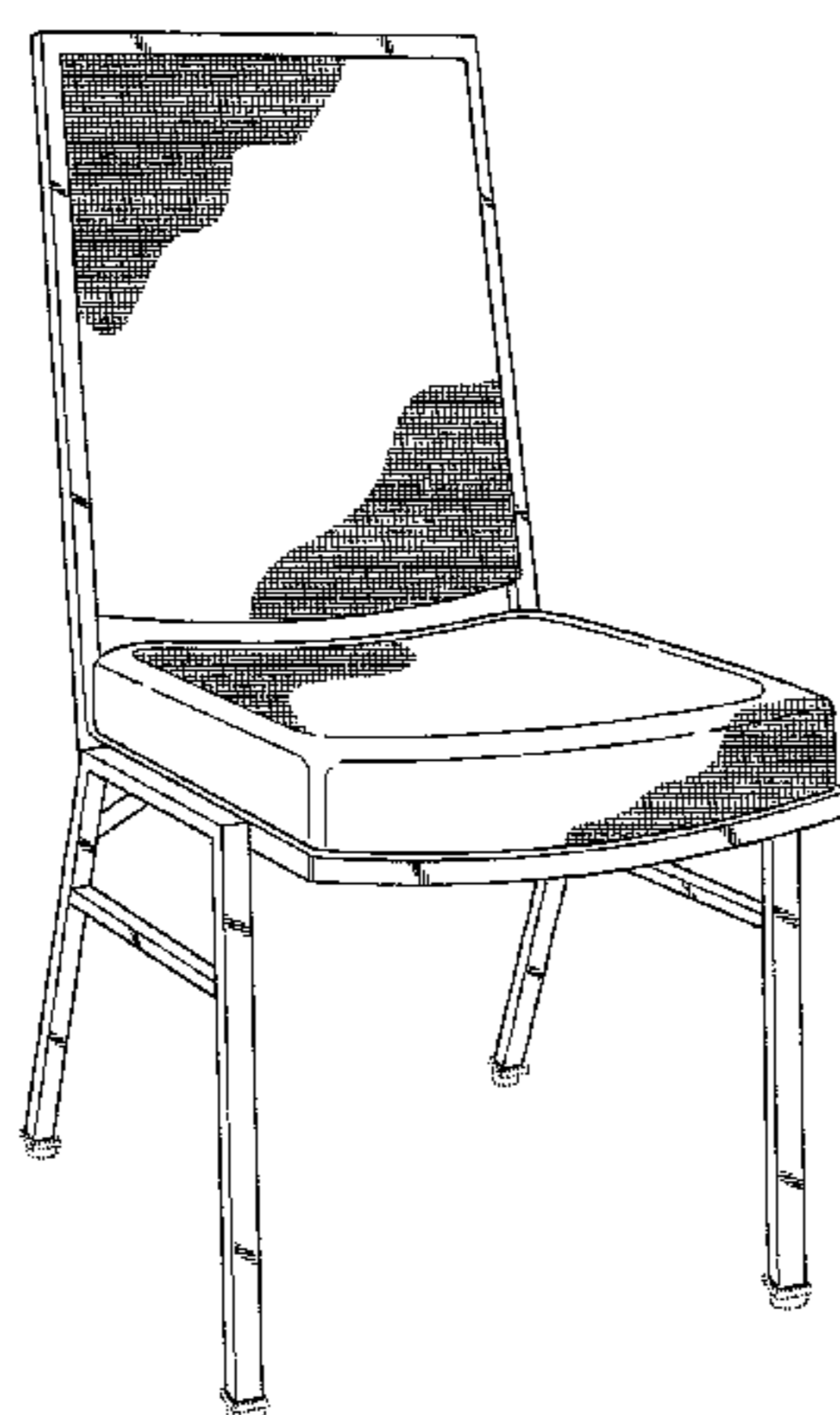
FIG. 16 is a rear elevational view of the chair of FIGS. 13-15;

FIG. 17 is a top view of the chair of FIGS. 13-16; and,

FIG. 18 is a bottom view of the chair of FIGS. 13-17.

The broken line showing of the footrests are for illustrative purposes only and form no part of the claimed design.

1 Claim, 9 Drawing Sheets



OTHER PUBLICATIONS

MTS Alpha/Omega Steel Series, Model #577 (believed to have been offered for sale, publicly used, and/or published prior to the filed of this application).

MTS Alpha/Omega Steel Series, Model #578 (believed to have been offered for sale, publicly used, and/or published prior to the filed of this application).

Shelby Williams, The Premier Banquet Series, p. BQ-50 (believed to have been offered for sale, publicly used, and/or published prior to the filed of this application).

Tri-Par, Square Tubular Steel Stacking Chairs, p. 8 (believed to have been offered for sale, publicly used, and/or published prior to the filed of this application).

SKS, Tajam Banquet Chair (believed to have been offered for sale, publicly used, and/or published prior to the filed of this application).

Global Allies, Richmond Stacking Chair (believed to have been offered for sale, publicly used, and/or published prior to the filed of this application).

Global Allies, Oz Stacking Chair with Tapered Legs, 2008 (believed to have been offered for sale, publicly used, and/or published prior to the filed of this application).

* cited by examiner

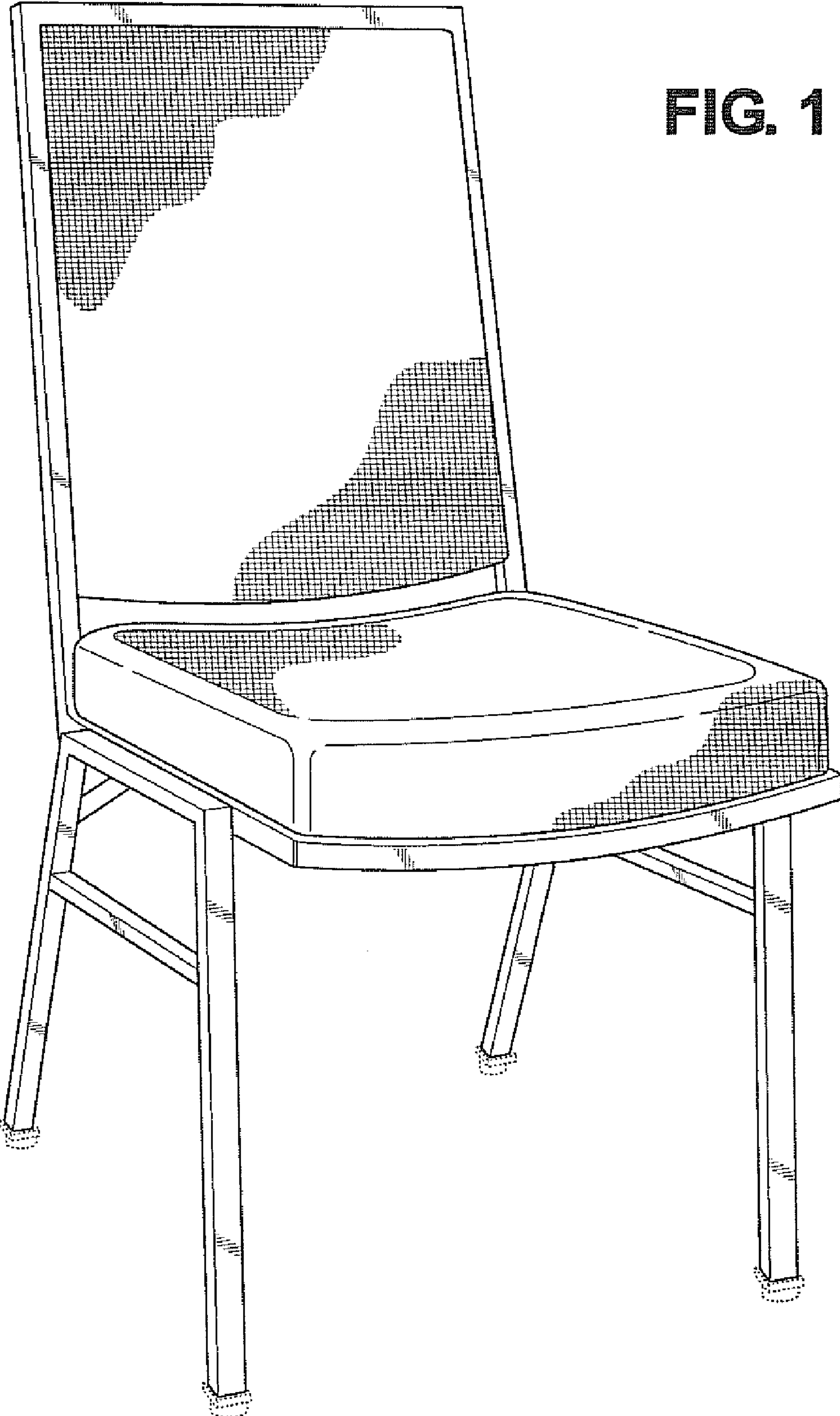


FIG. 1

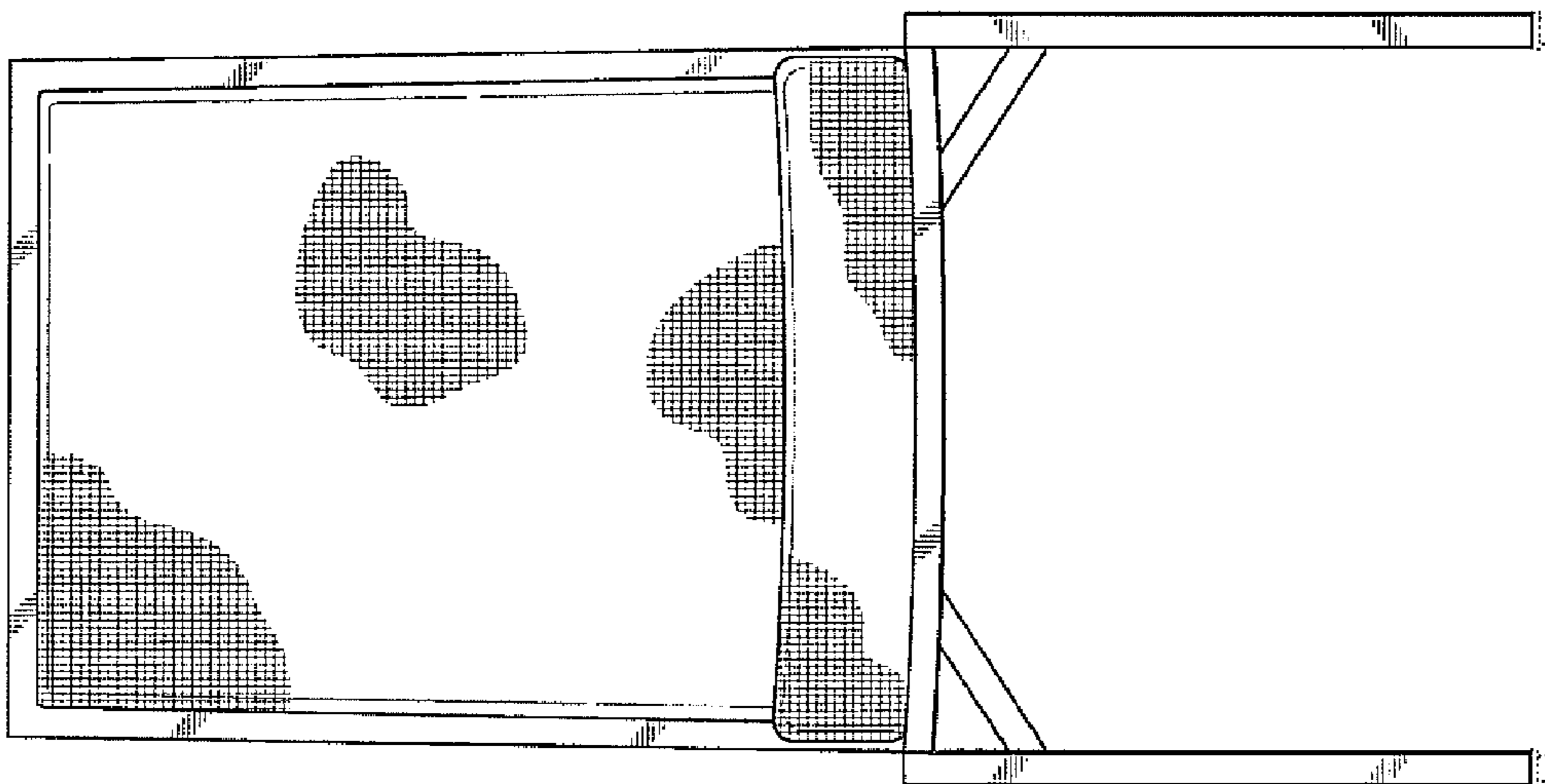


FIG. 2

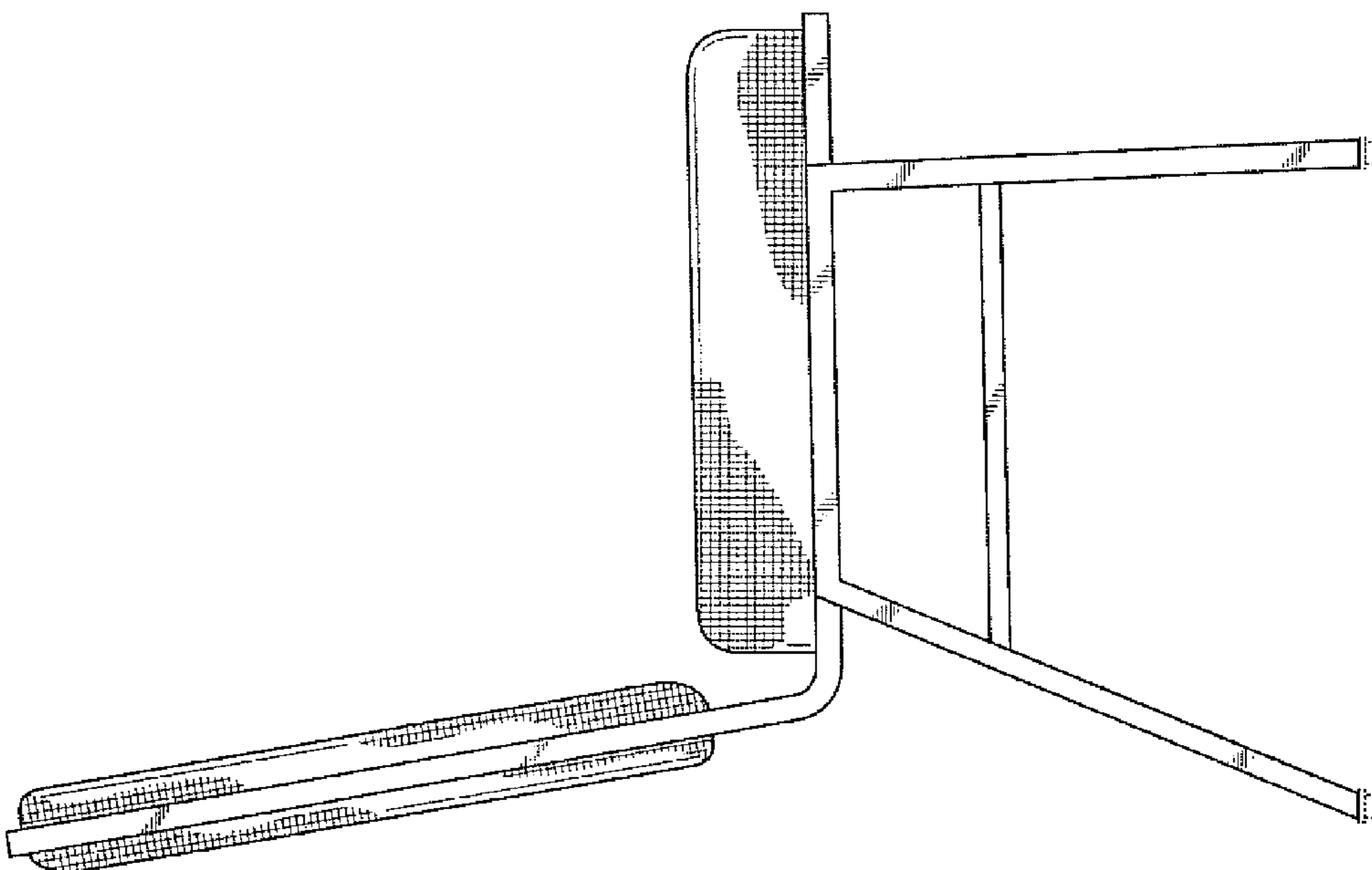


FIG. 3

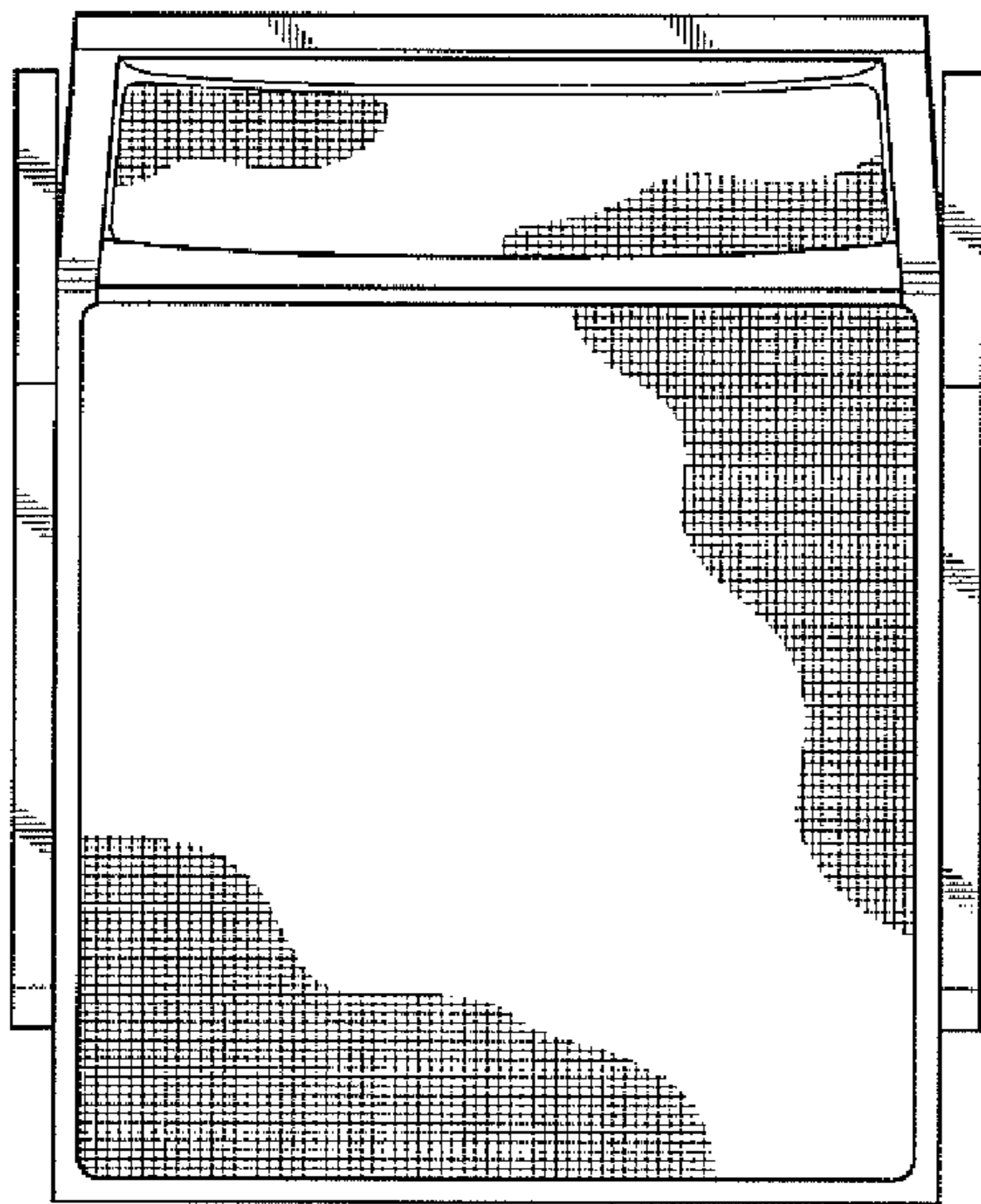


FIG. 5

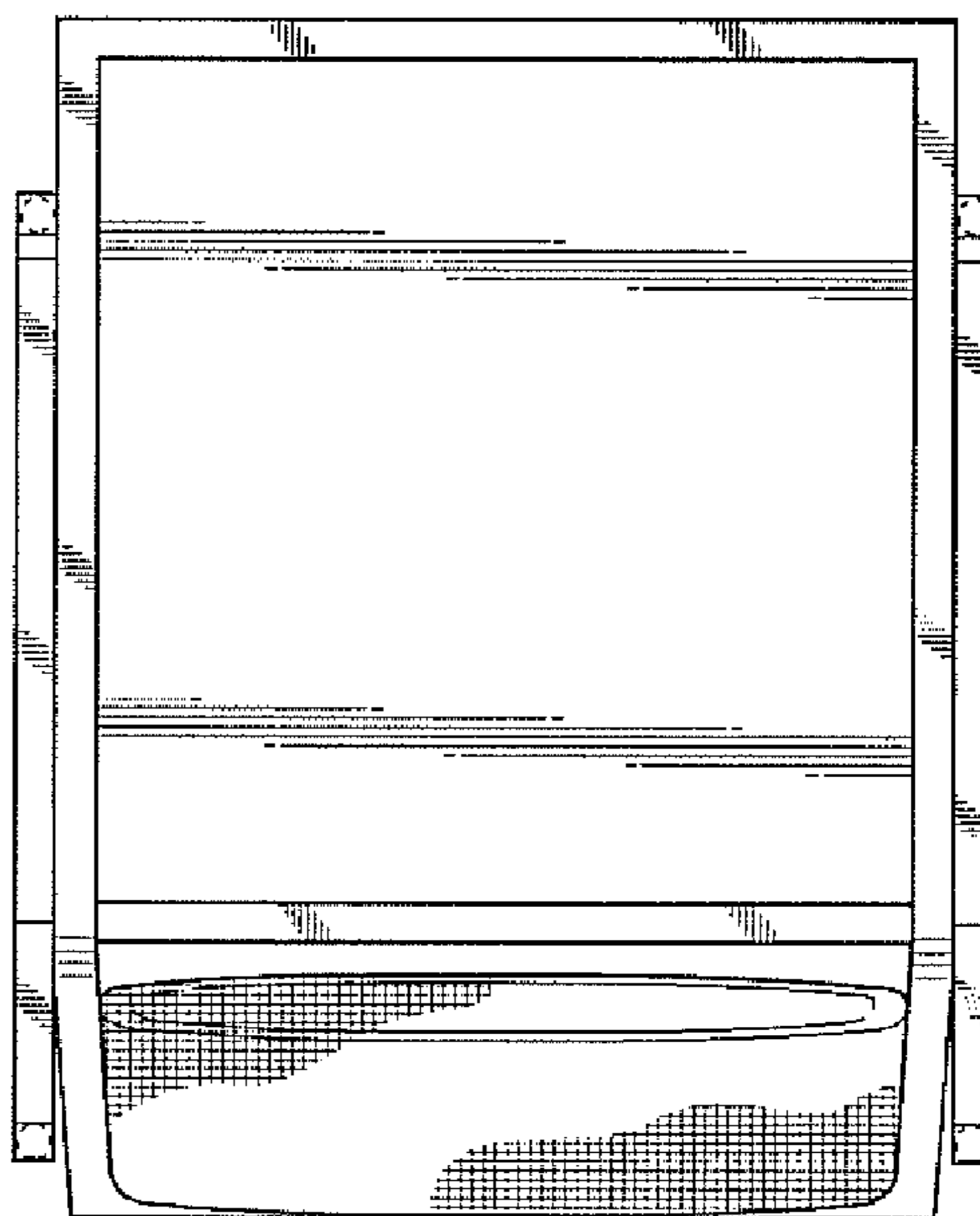


FIG. 6

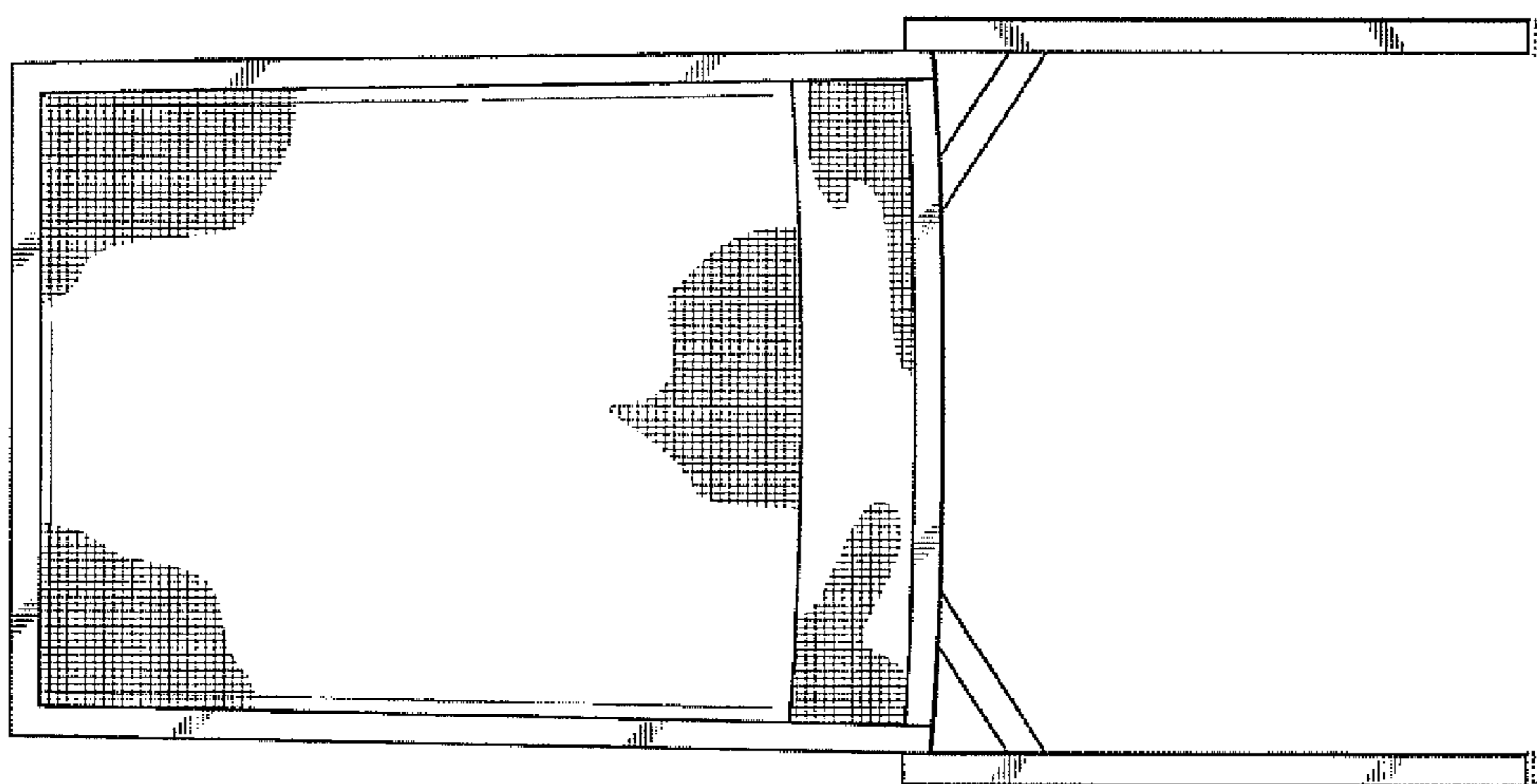
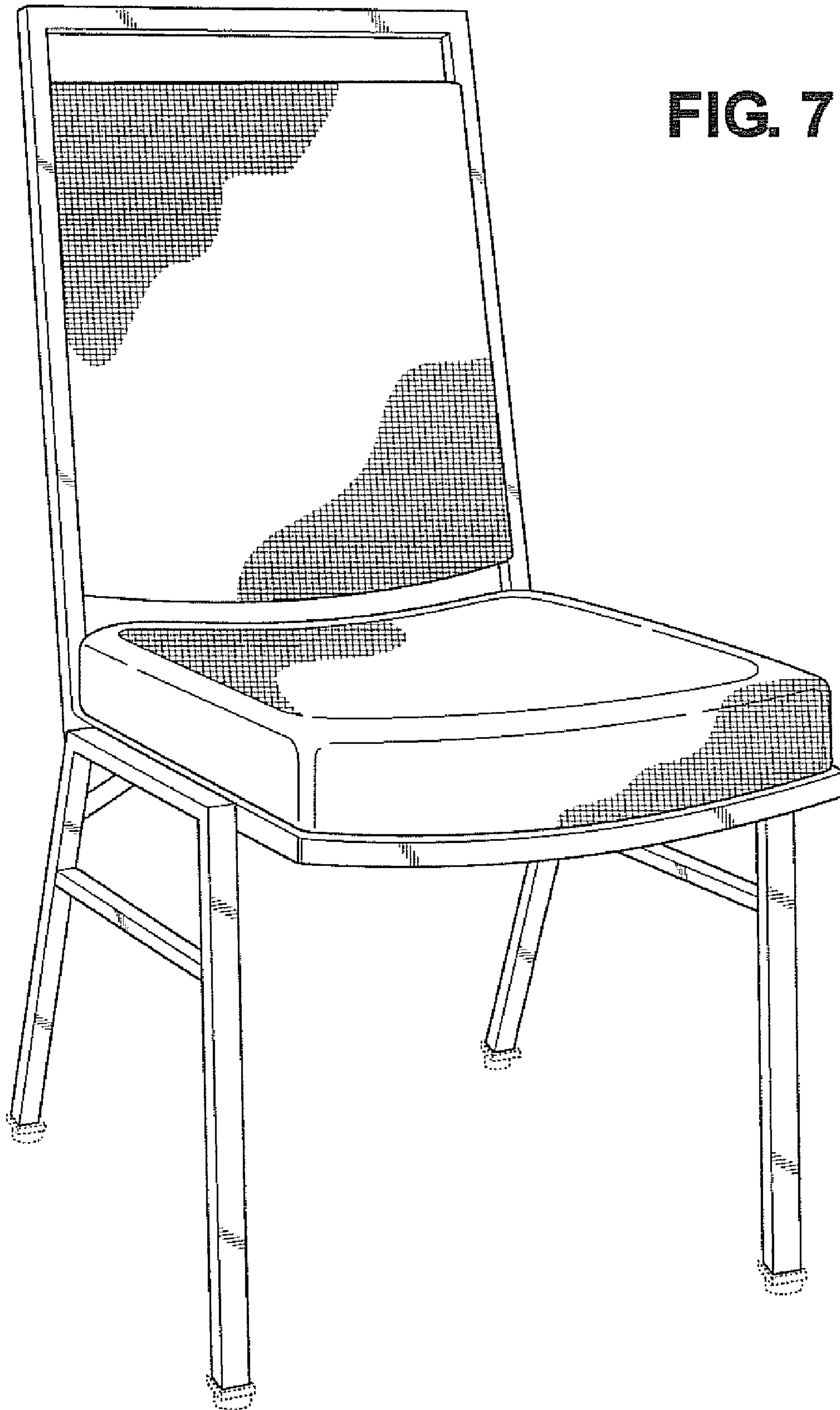


FIG. 4



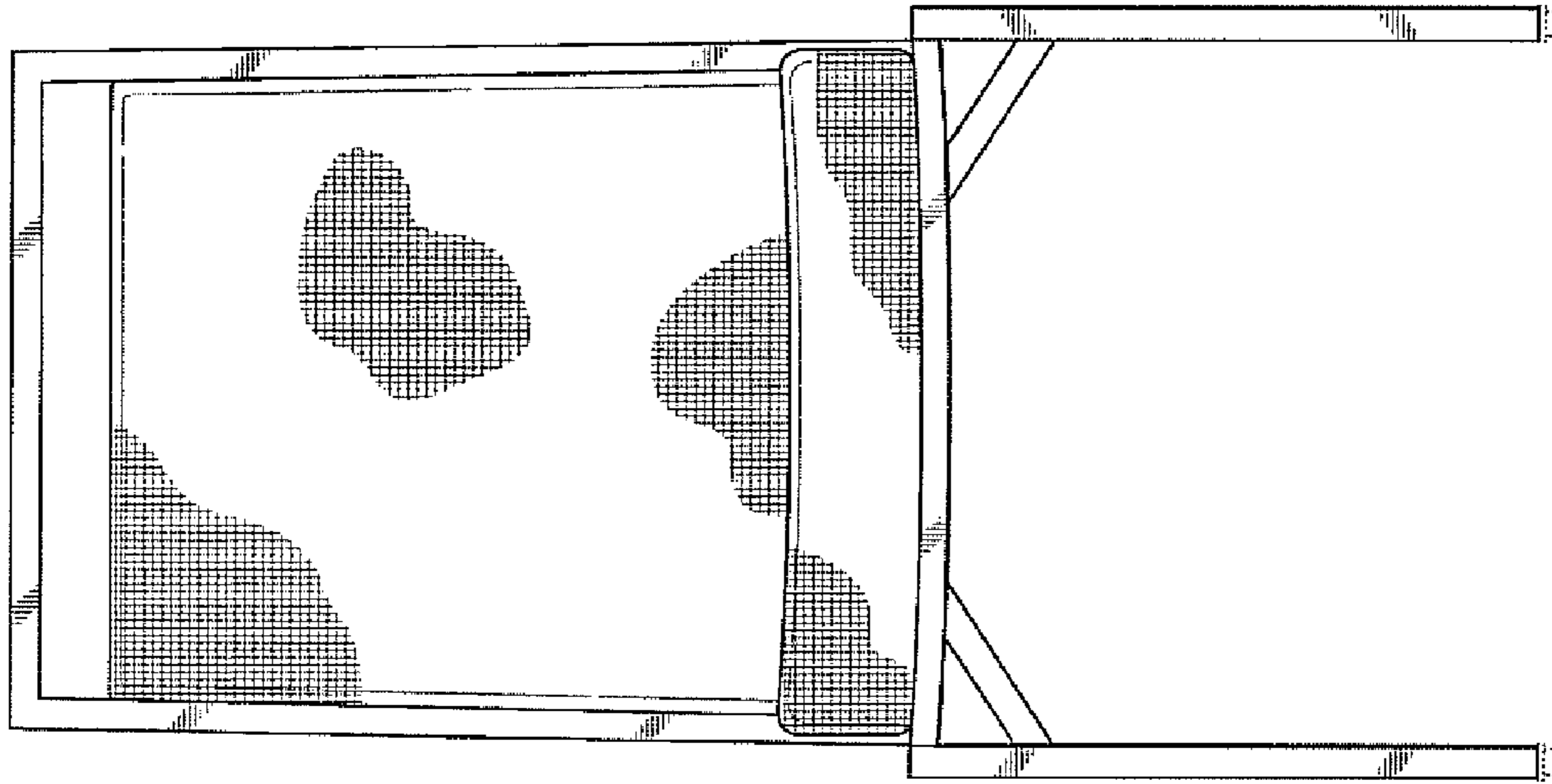


FIG. 9

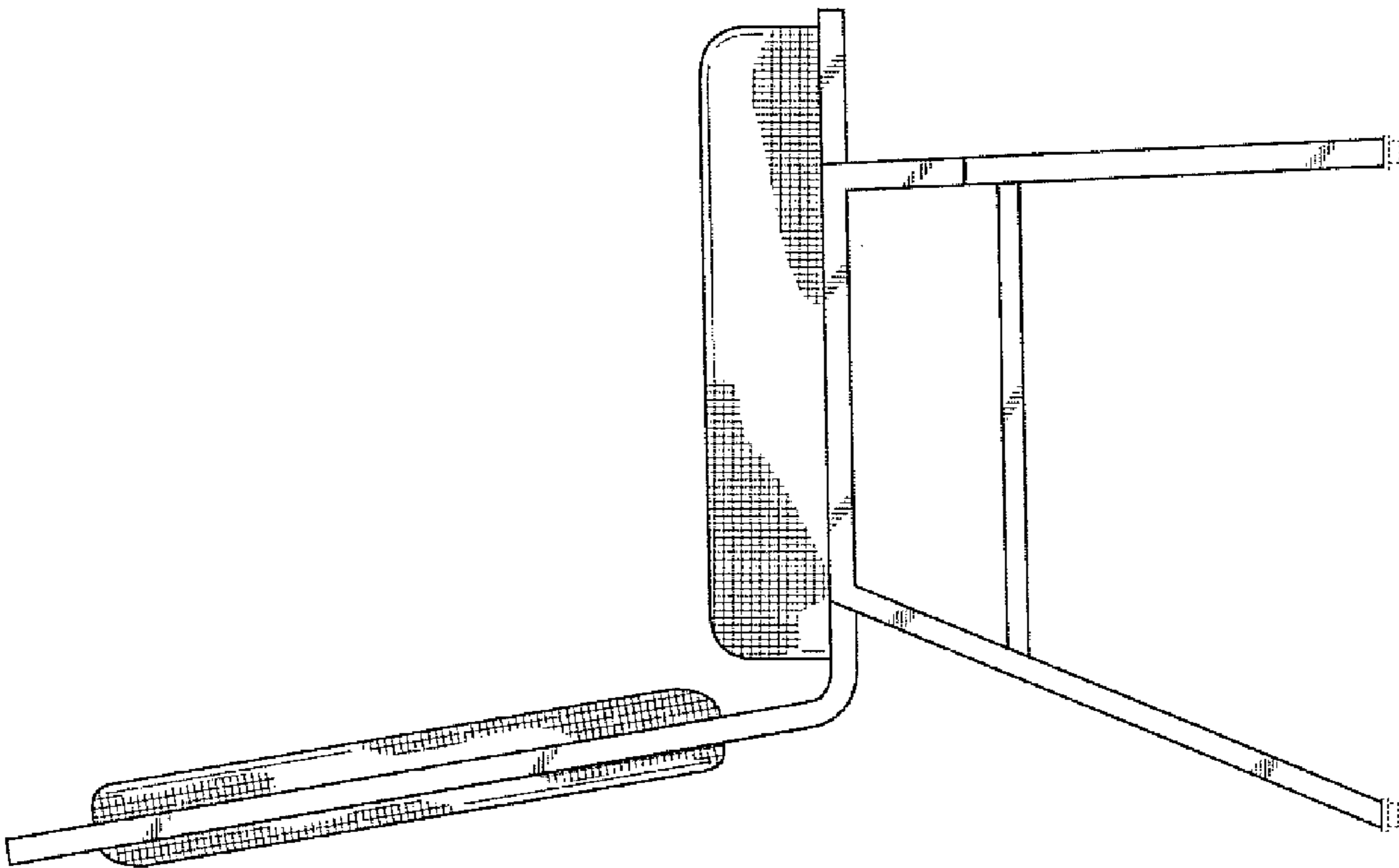


FIG. 8

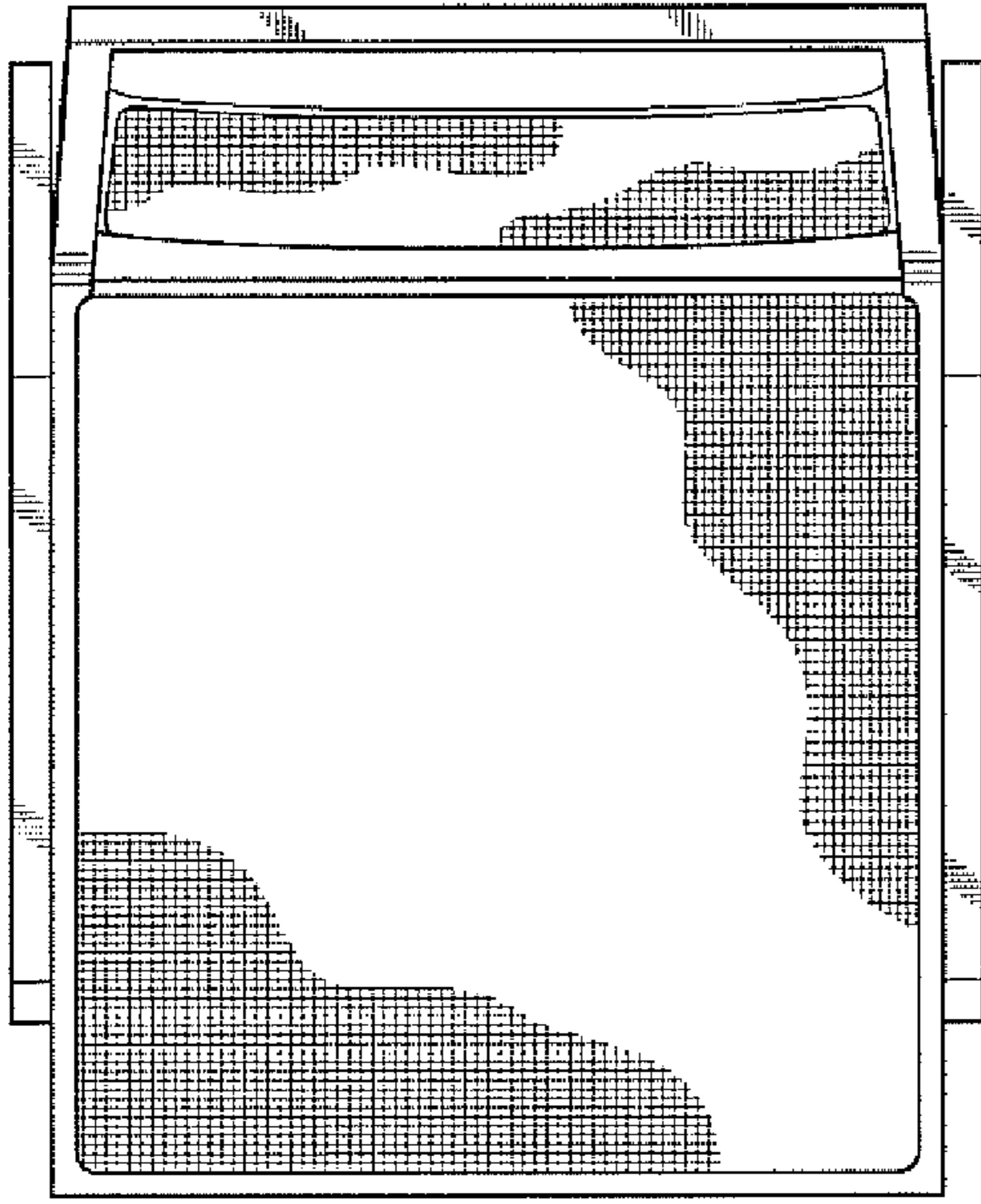


FIG. 11

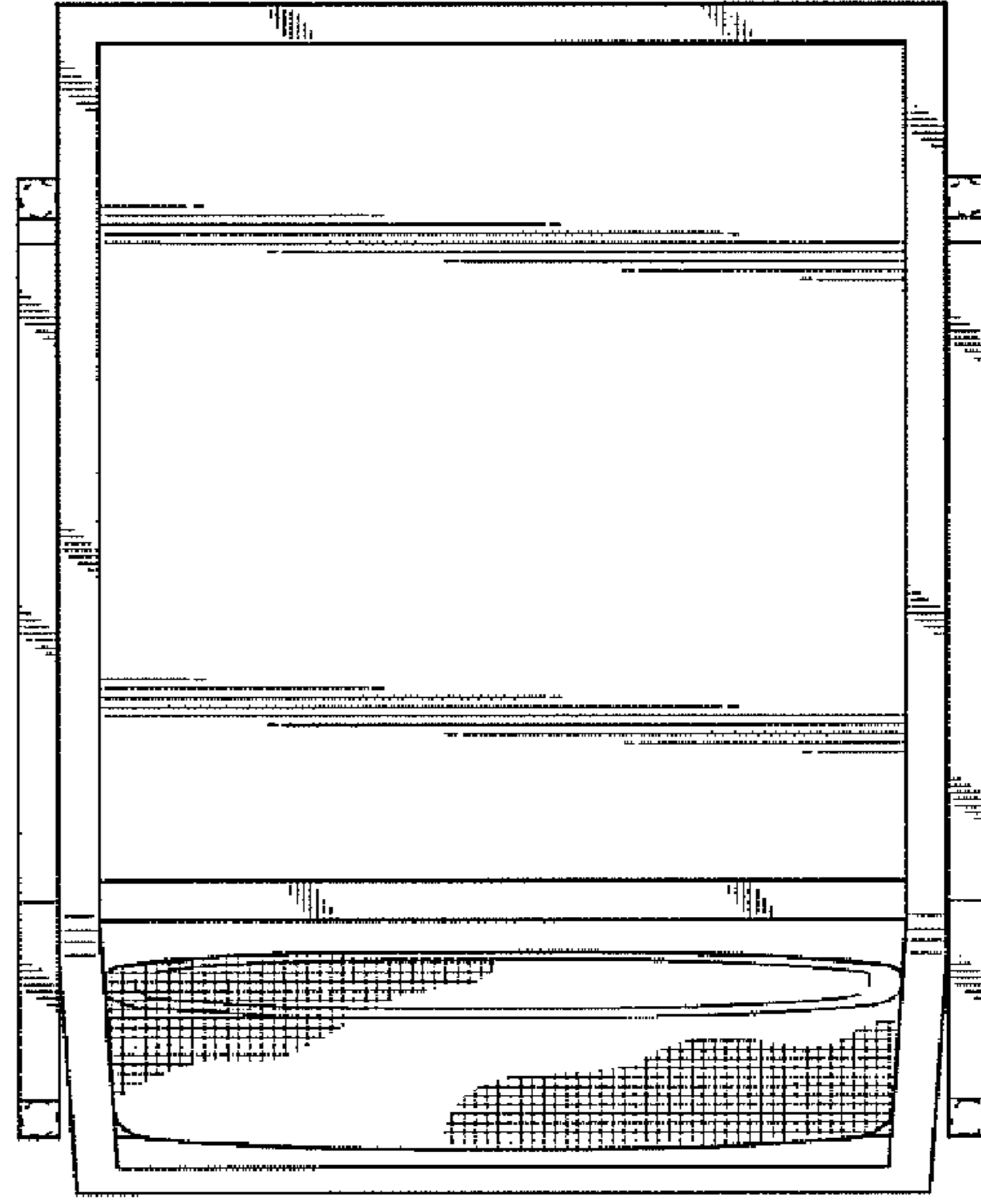


FIG. 12

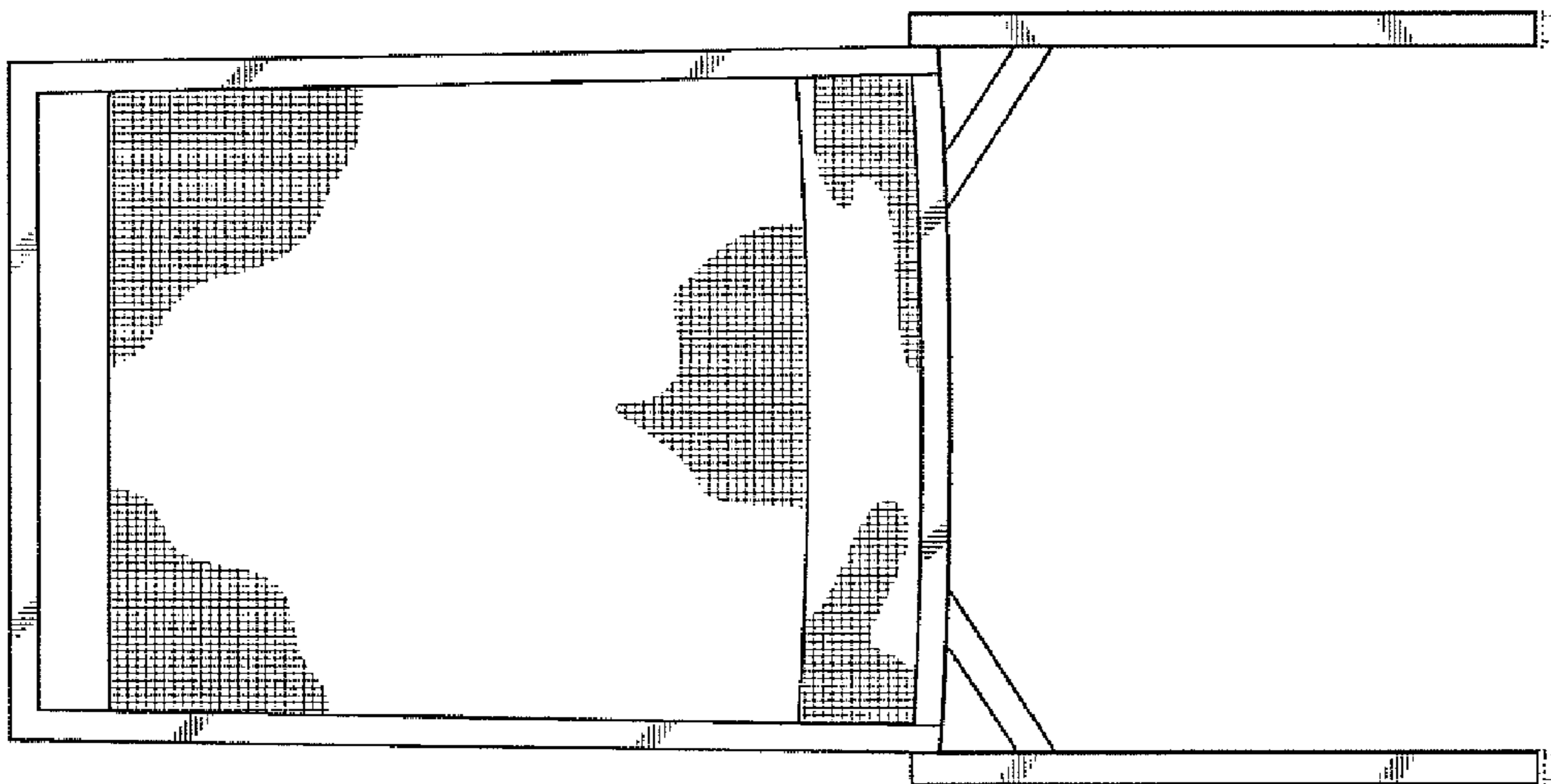


FIG. 10

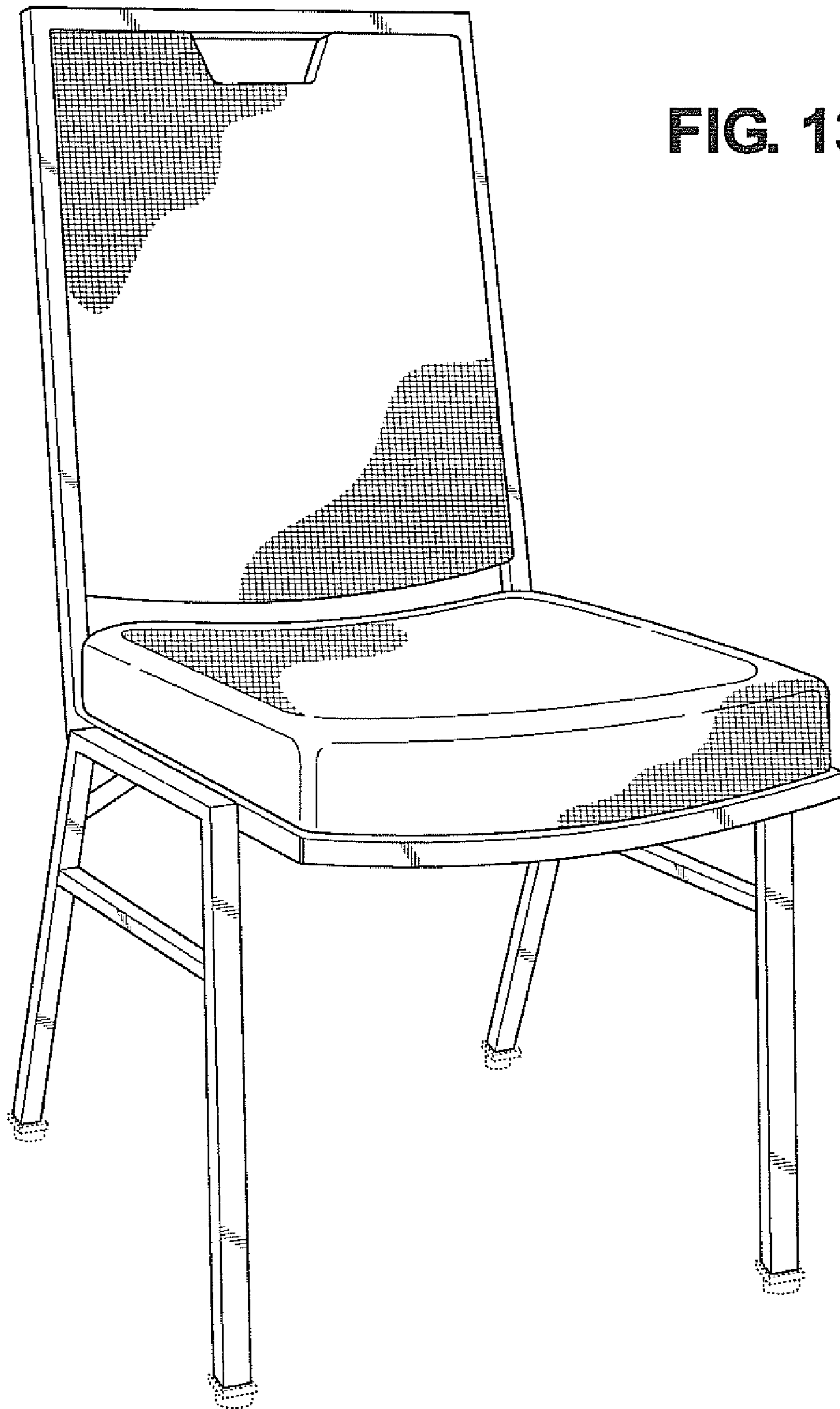


FIG. 13

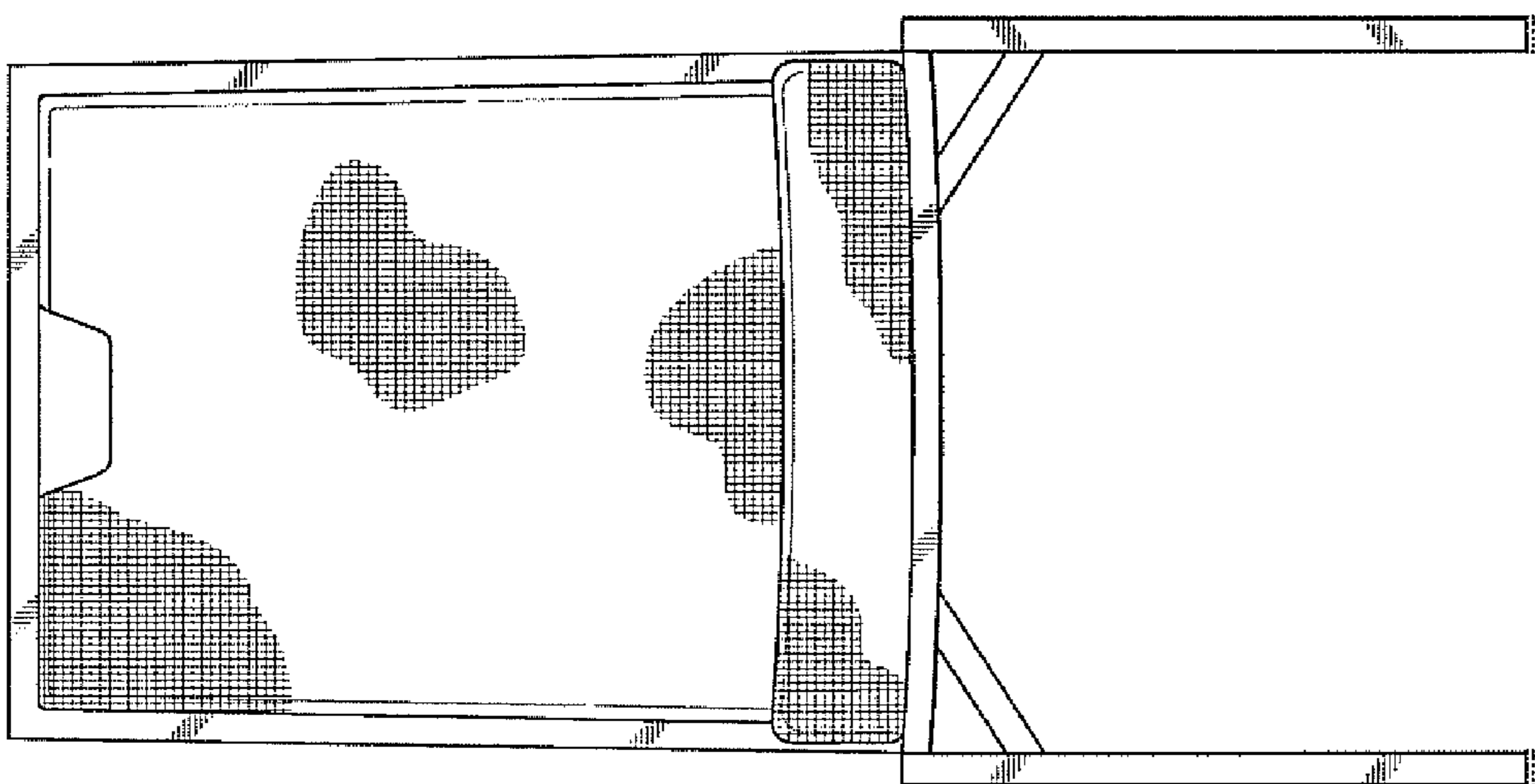


FIG. 15

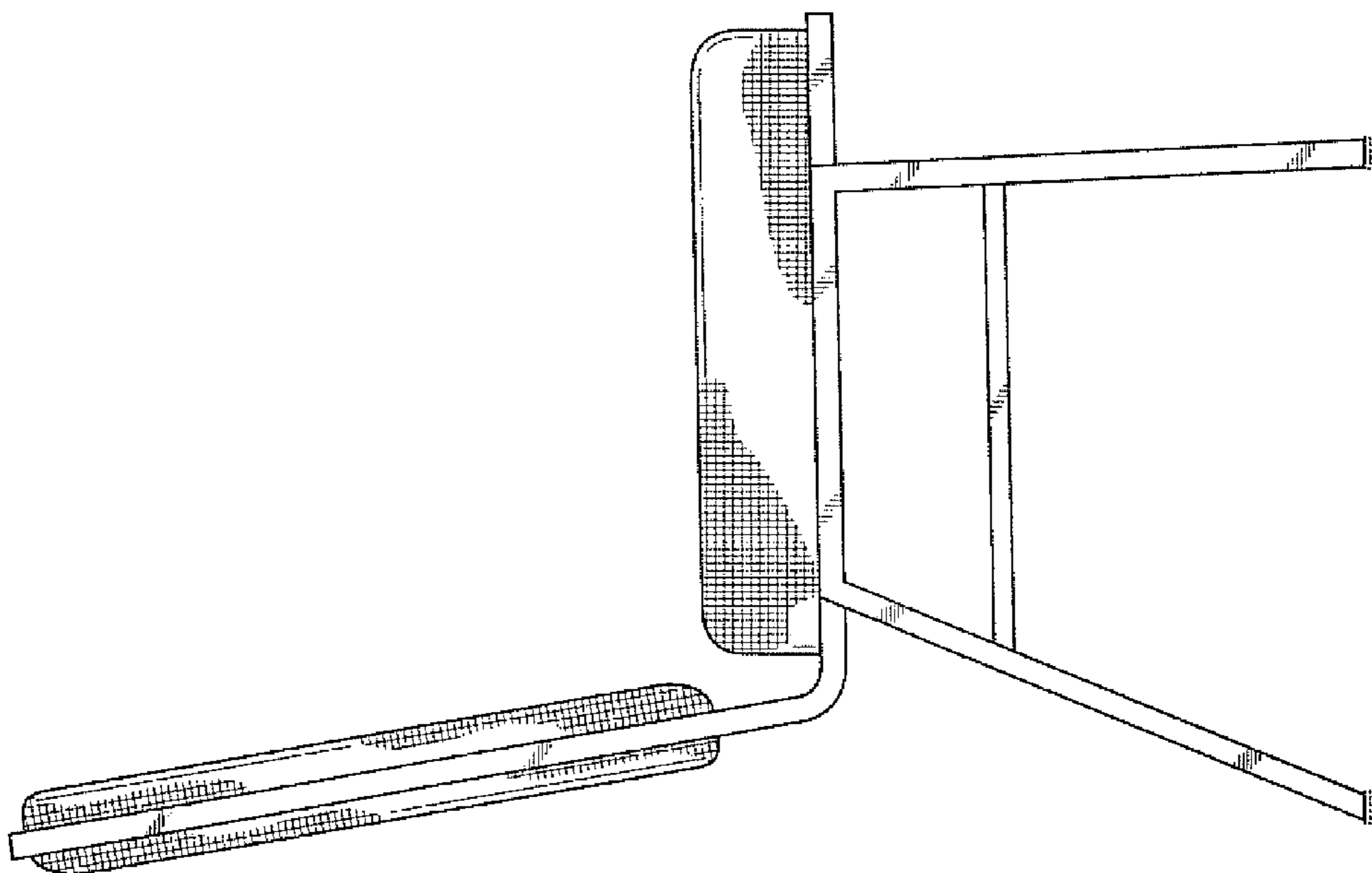


FIG. 14



FIG. 17

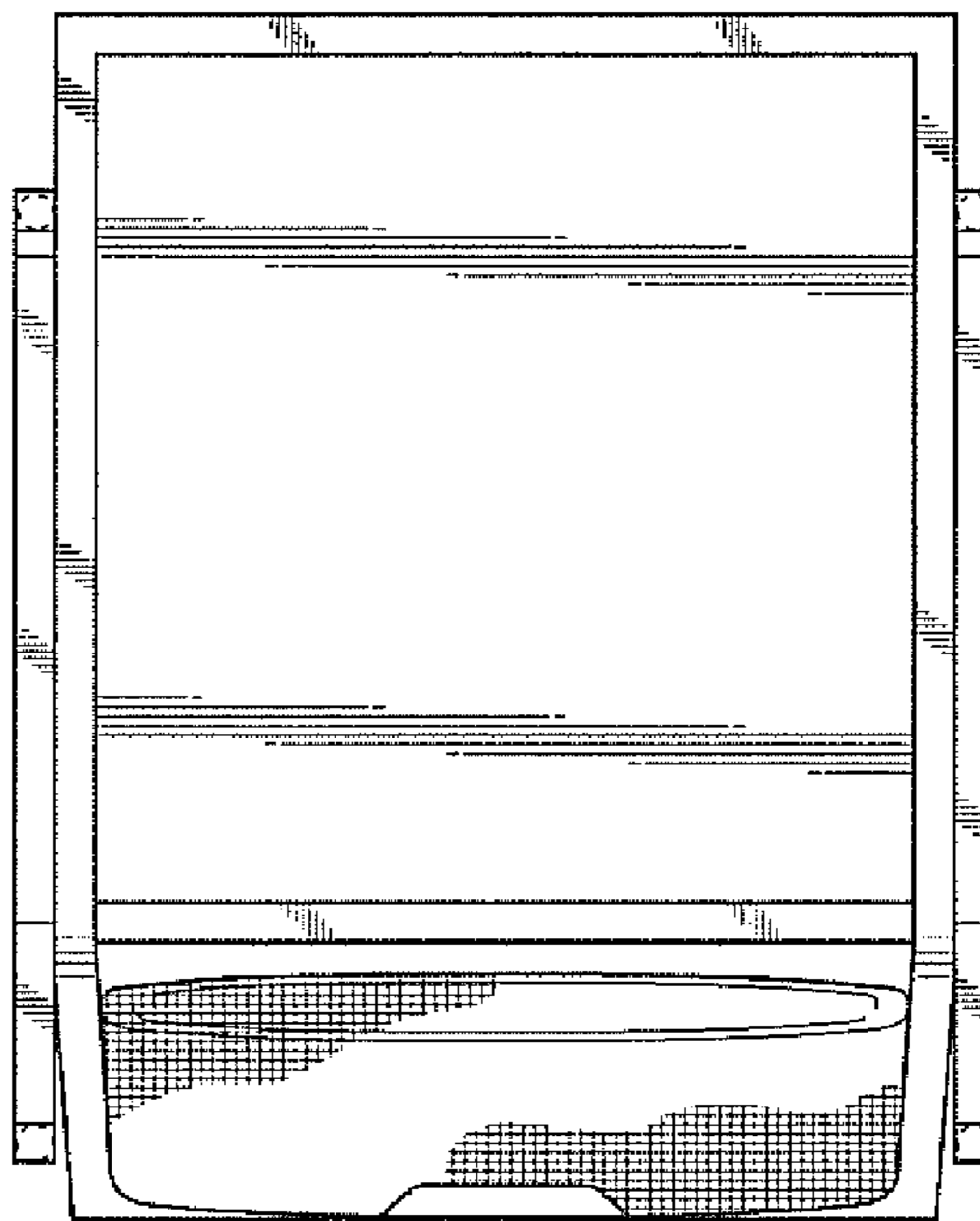


FIG. 18

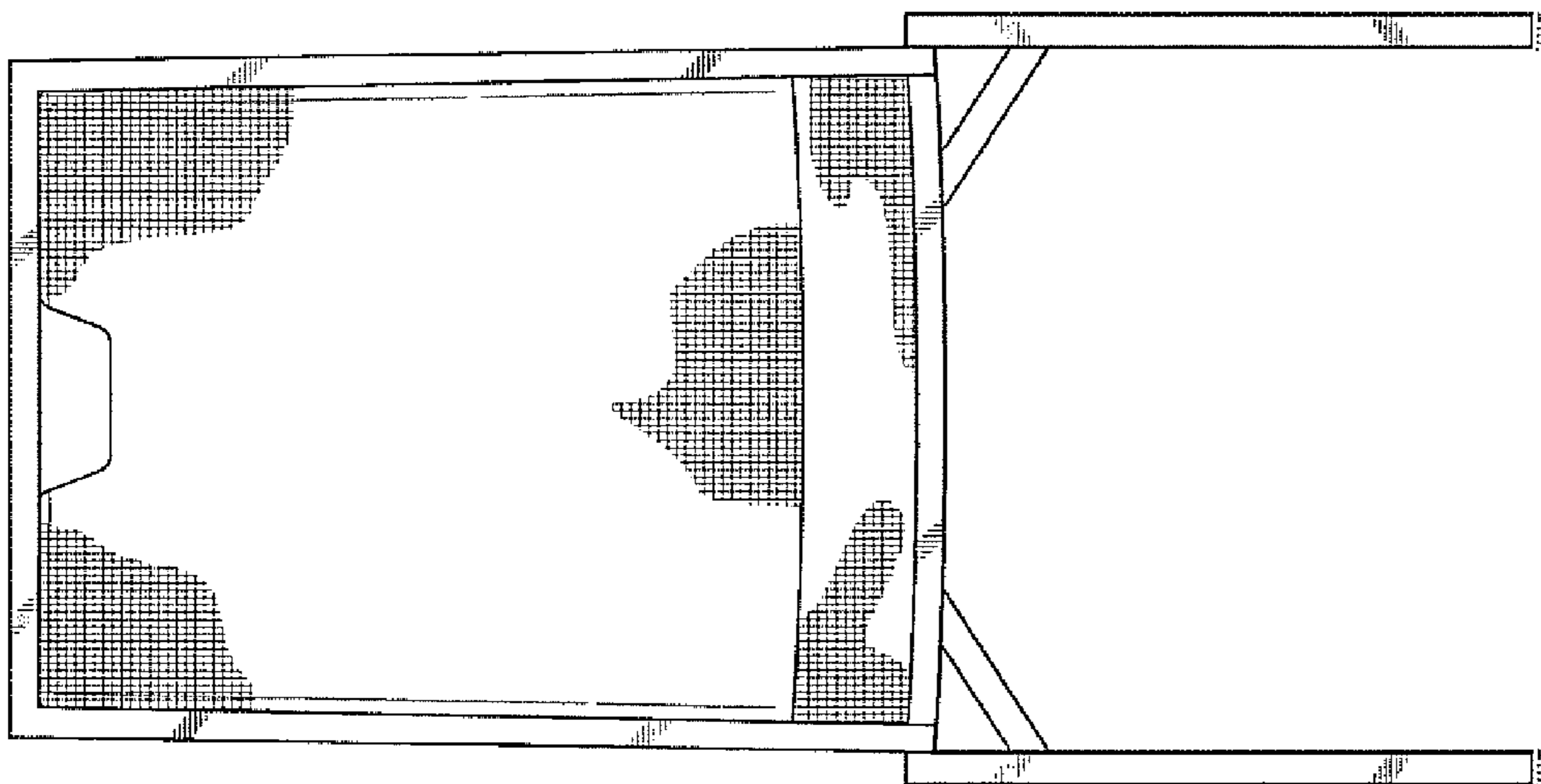


FIG. 16