



US00D629221S

(12) **United States Design Patent**
Starck

(10) **Patent No.:** **US D629,221 S**

(45) **Date of Patent:** **** Dec. 21, 2010**

(54) **FURNITURE**

(75) Inventor: **Philippe Starck**, Paris (FR)

(73) Assignee: **Cassina S.p.A.**, Meda (Milan) (IT)

(**) Term: **14 Years**

(21) Appl. No.: **29/347,728**

(22) Filed: **Apr. 26, 2010**

Related U.S. Application Data

(62) Division of application No. 29/347,375, filed on Dec. 18, 2009, which is a division of application No. 29/311,194, filed on Jan. 13, 2009, now Pat. No. Des. 609,492.

(51) **LOC (9) Cl.** **06-01**

(52) **U.S. Cl.** **D6/334**

(58) **Field of Classification Search** None
See application file for complete search history.

(56) **References Cited**

U.S. PATENT DOCUMENTS

D186,308 S * 10/1959 Knoll D6/334

D190,805 S * 7/1961 Deskay D6/334

D247,009 S * 1/1978 Schoblom et al. D6/378

D268,970 S * 5/1983 Mascheroni D6/378

D280,153 S * 8/1985 Hopfer D6/378

D454,441 S * 3/2002 Bermudez et al. D6/378

D498,064 S * 11/2004 Gomez D6/334

D585,200 S * 1/2009 Lissoni D6/334

D609,034 S * 2/2010 Lissoni D6/500

* cited by examiner

Primary Examiner—Sandra Snapp

(74) *Attorney, Agent, or Firm*—Nixon & Vanderhye P.C.

(57) **CLAIM**

The ornamental design for furniture, as shown and described.

DESCRIPTION

FIG. 1 is a front elevational view of furniture;

FIG. 2 is a rear elevational view thereof;

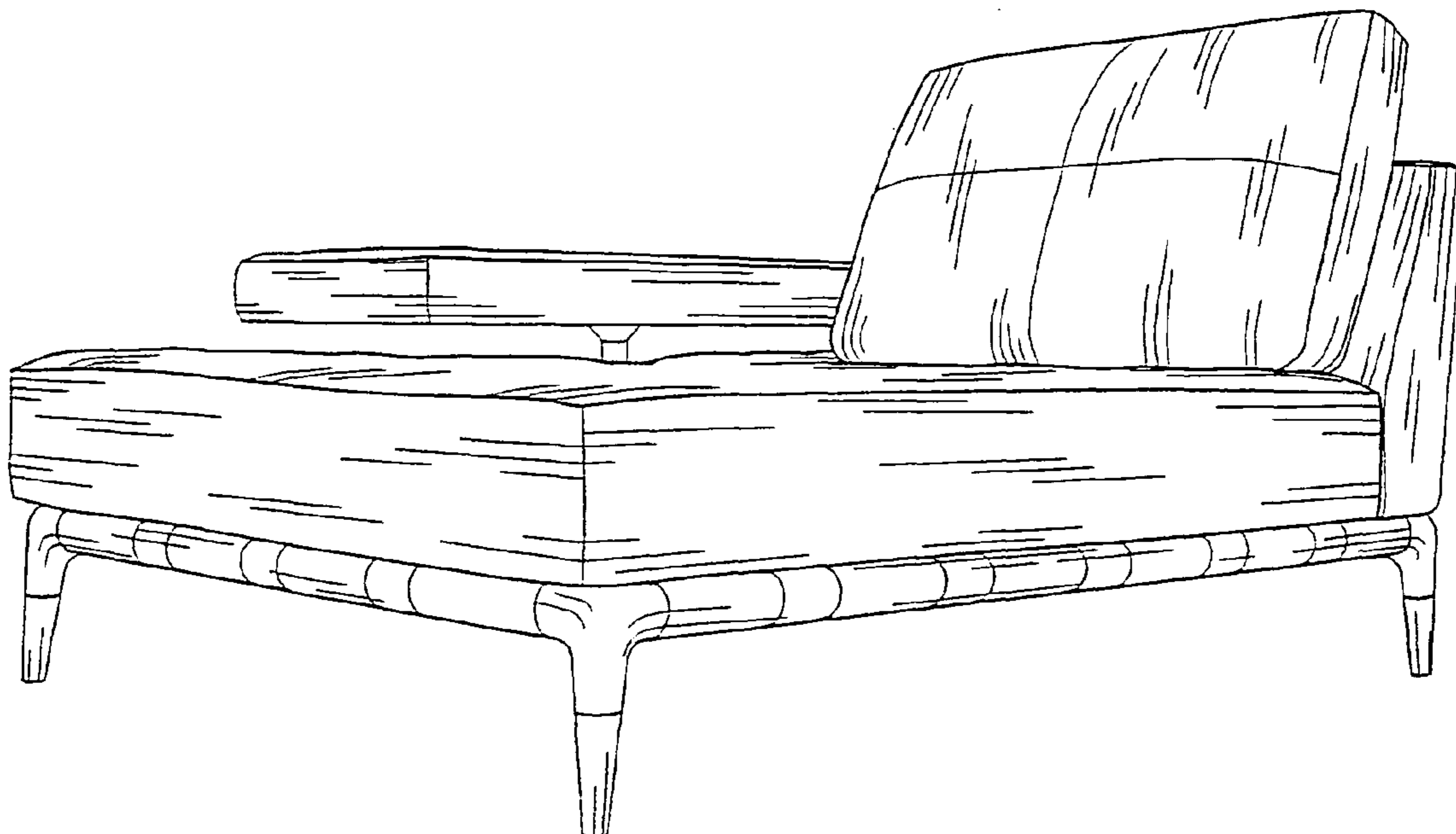
FIG. 3 is a left elevational view thereof;

FIG. 4 is a right elevational view thereof;

FIG. 5 is a top plan view thereof; and,

FIG. 6 is a front, left perspective view thereof.

1 Claim, 6 Drawing Sheets



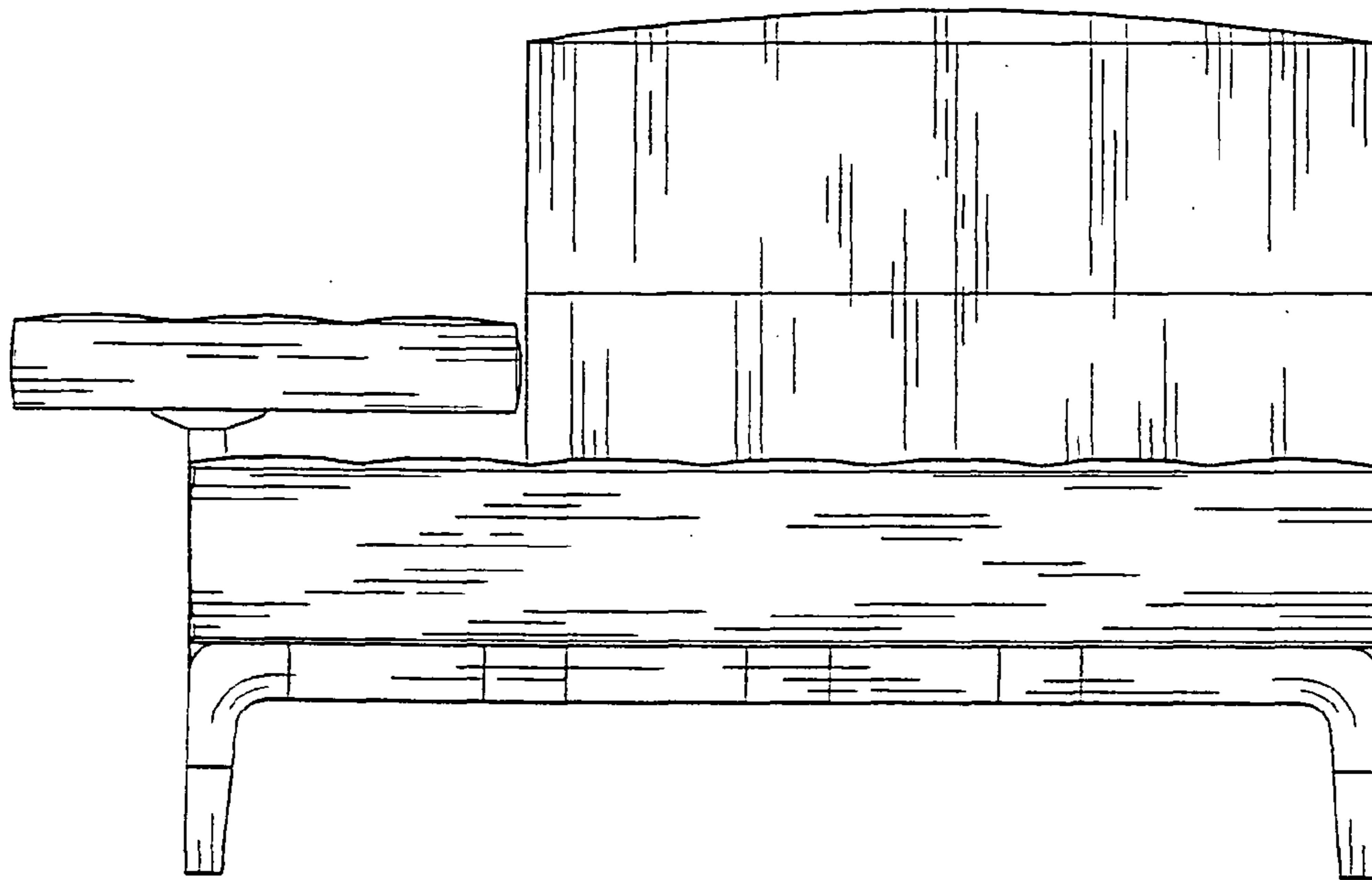


FIG. 1

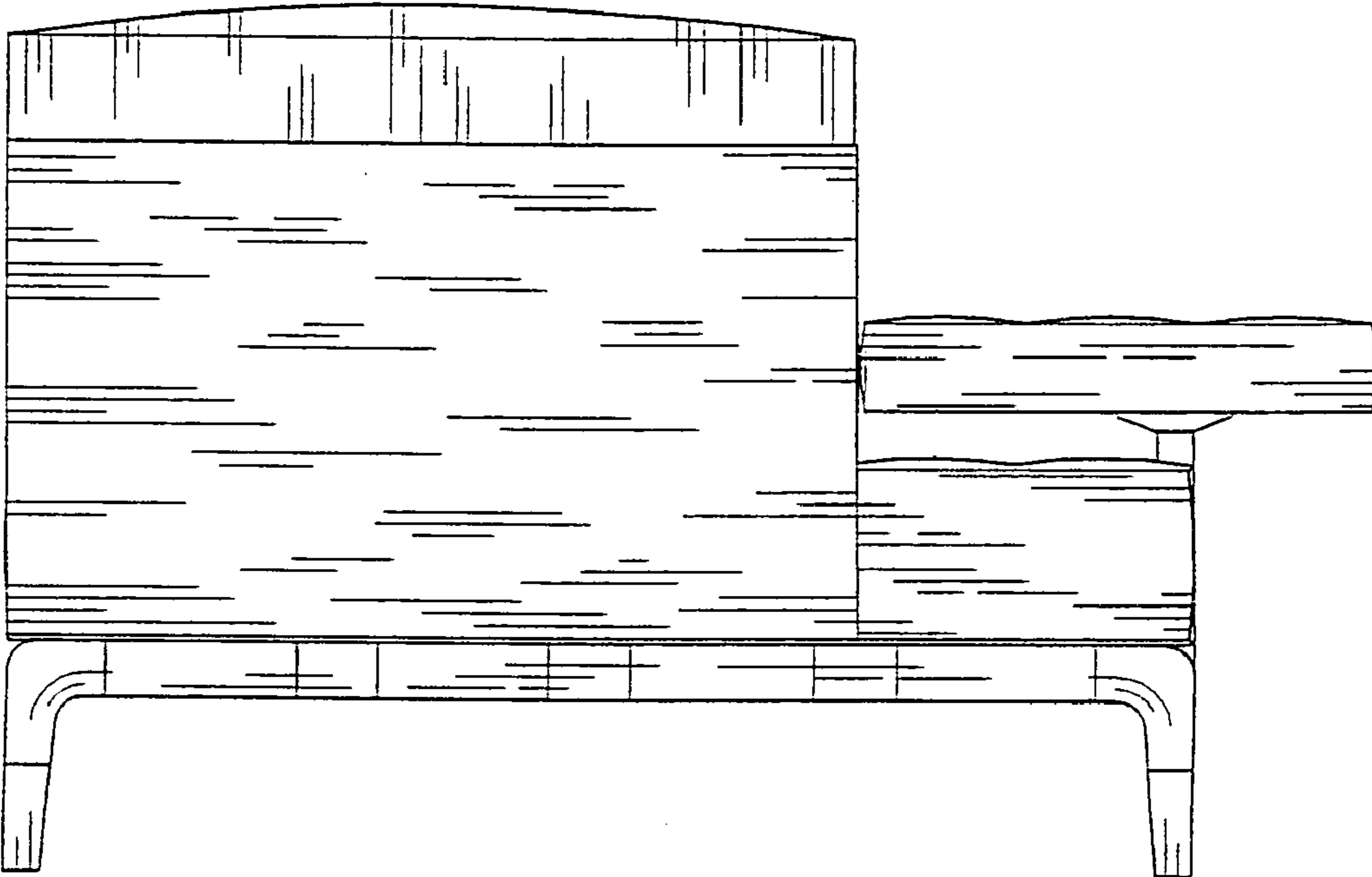


FIG. 2

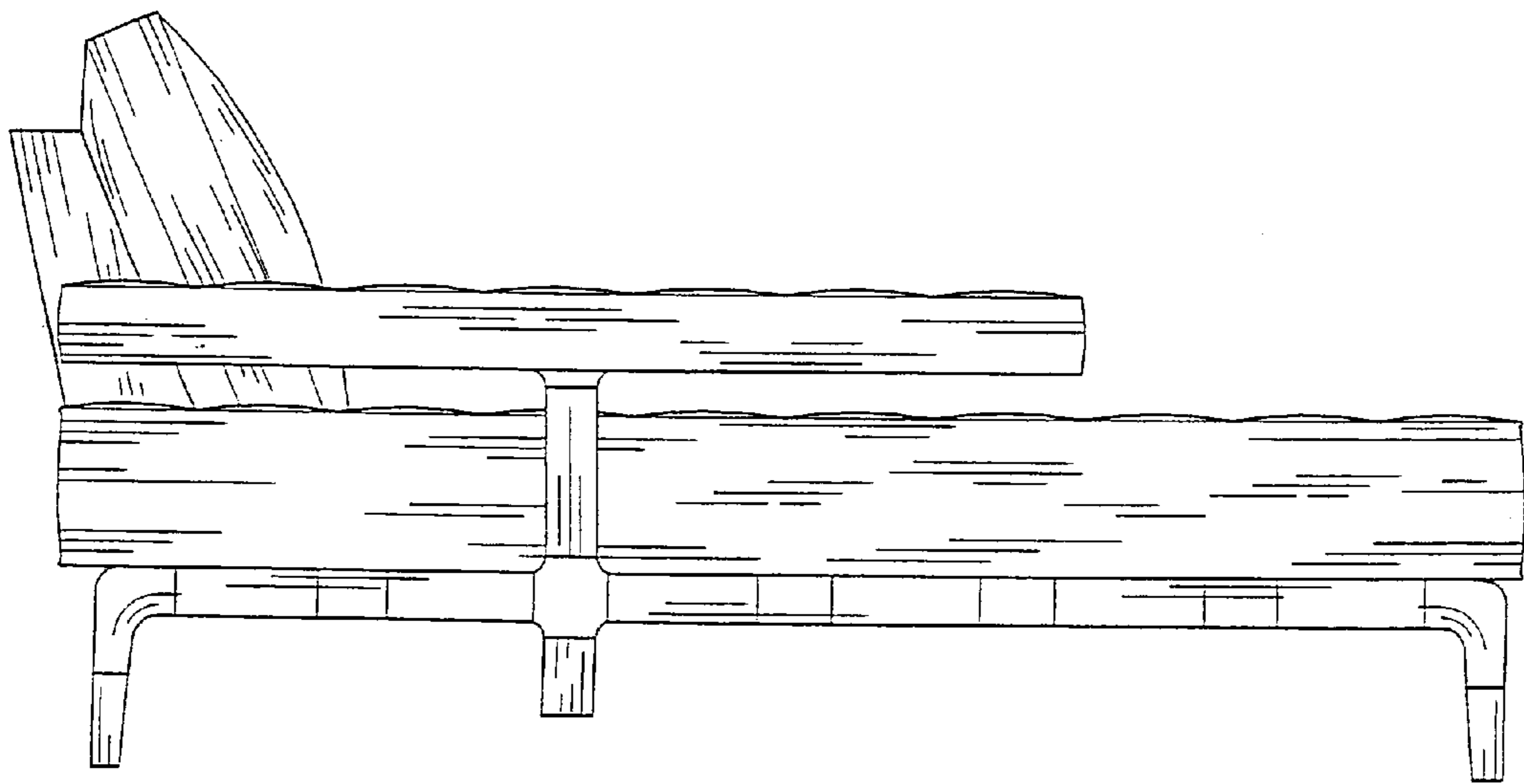


FIG. 3

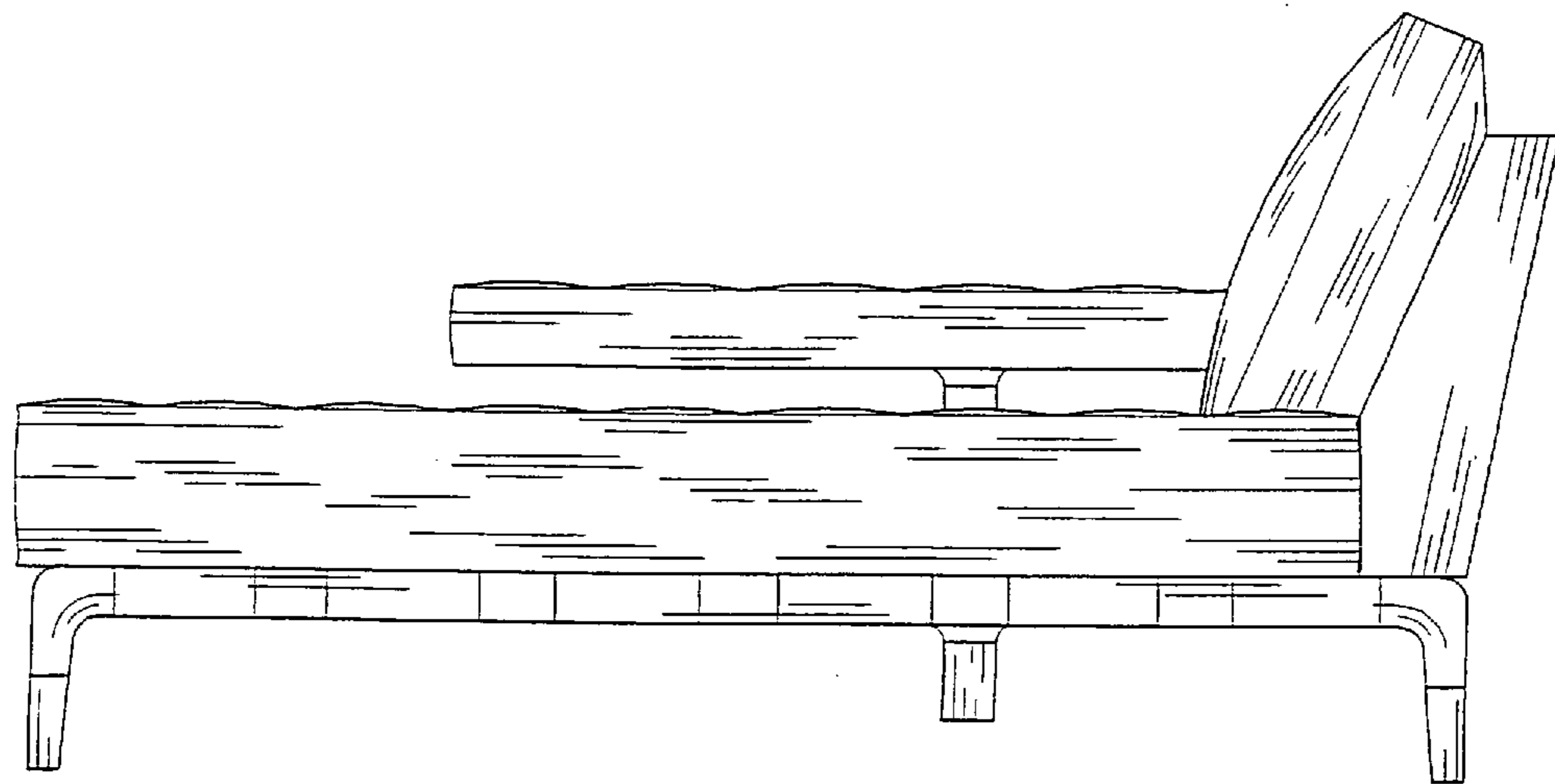


FIG. 4

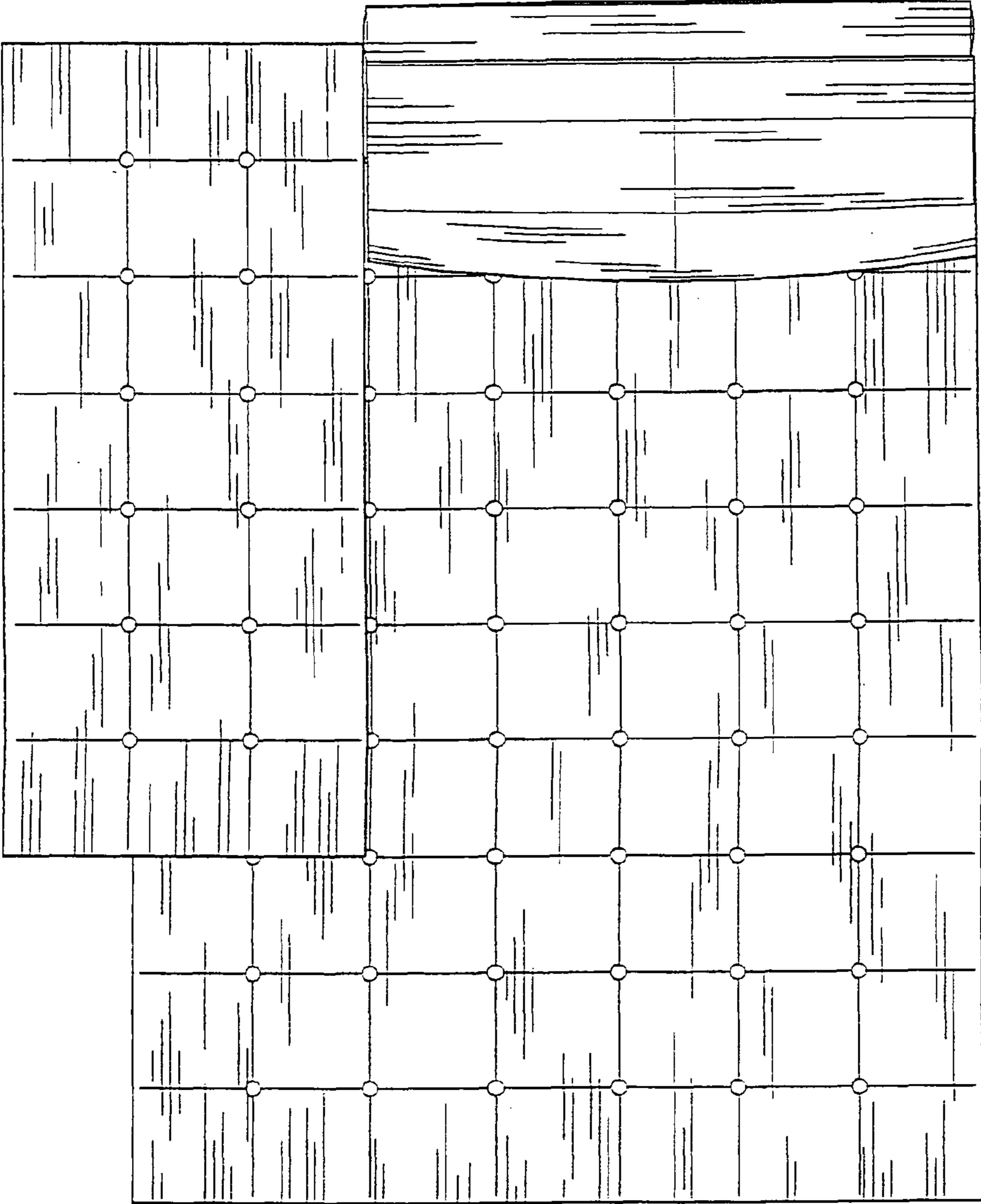


FIG. 5

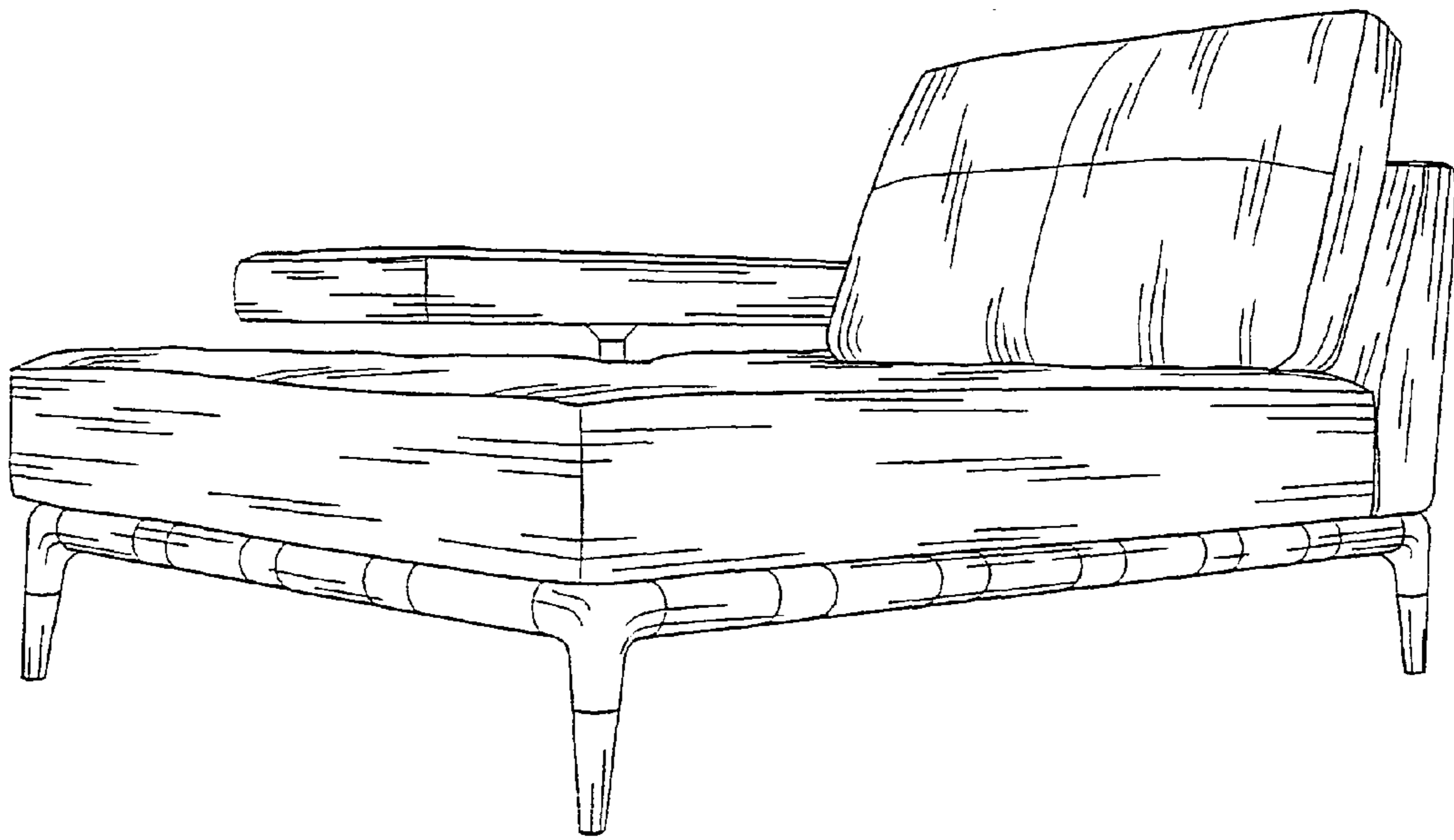


FIG. 6