

US00D629218S

(12) **United States Design Patent**
Li

(10) **Patent No.:** **US D629,218 S**

(45) **Date of Patent:** **** Dec. 21, 2010**

(54) **CHILD CAR SEAT**

(75) Inventor: **Qingyong Li**, Ningbo (CN)

(73) Assignee: **Max-Inf (Ningbo) Baby Product Co., Ltd.**, Ningbo, Zhejiang Province (CN)

(**) Term: **14 Years**

(21) Appl. No.: **29/361,514**

(22) Filed: **May 12, 2010**

(30) **Foreign Application Priority Data**

Nov. 12, 2009 (CN) 2009 3 0285132

(51) **LOC (9) Cl.** **06-01**

(52) **U.S. Cl.** **D6/333**

(58) **Field of Classification Search** D6/333-336,
D6/339, 367-368, 356, 375, 390, 500-502;
297/250.1, 229, 256.15-256.17, 488, 184.13,
297/183.1-183.4, 183.6; 5/655, 93.1, 94,
5/101; D3/213-214; D12/129; D21/419

See application file for complete search history.

(56) **References Cited**

U.S. PATENT DOCUMENTS

D411,375 S * 6/1999 Onishi et al. D6/333
D434,232 S * 11/2000 Abendschoen D6/333
D442,373 S * 5/2001 Ruehlmann et al. D6/333

D450,935 S * 11/2001 Dranschak et al. D6/333
D456,151 S * 4/2002 Kassai et al. D6/333
D471,727 S * 3/2003 King et al. D6/333
D487,640 S * 3/2004 Chen D6/333
D513,888 S * 1/2006 Jane Santamaria D6/333
D523,646 S * 6/2006 Fretschner et al. D6/333
D604,054 S * 11/2009 Biaud D6/333
D620,719 S * 8/2010 Li et al. D6/333

* cited by examiner

Primary Examiner—Caron Veynar

Assistant Examiner—Abraham Bahta

(57) **CLAIM**

The ornamental design for a child car seat, as shown and described.

DESCRIPTION

FIG. 1 is a perspective view of a child car seat showing my new design;

FIG. 2 is a front view thereof;

FIG. 3 is a back view thereof;

FIG. 4 is a left side view thereof;

FIG. 5 is a right side view thereof;

FIG. 6 is a top side view thereof; and,

FIG. 7 is a bottom side view thereof.

1 Claim, 7 Drawing Sheets



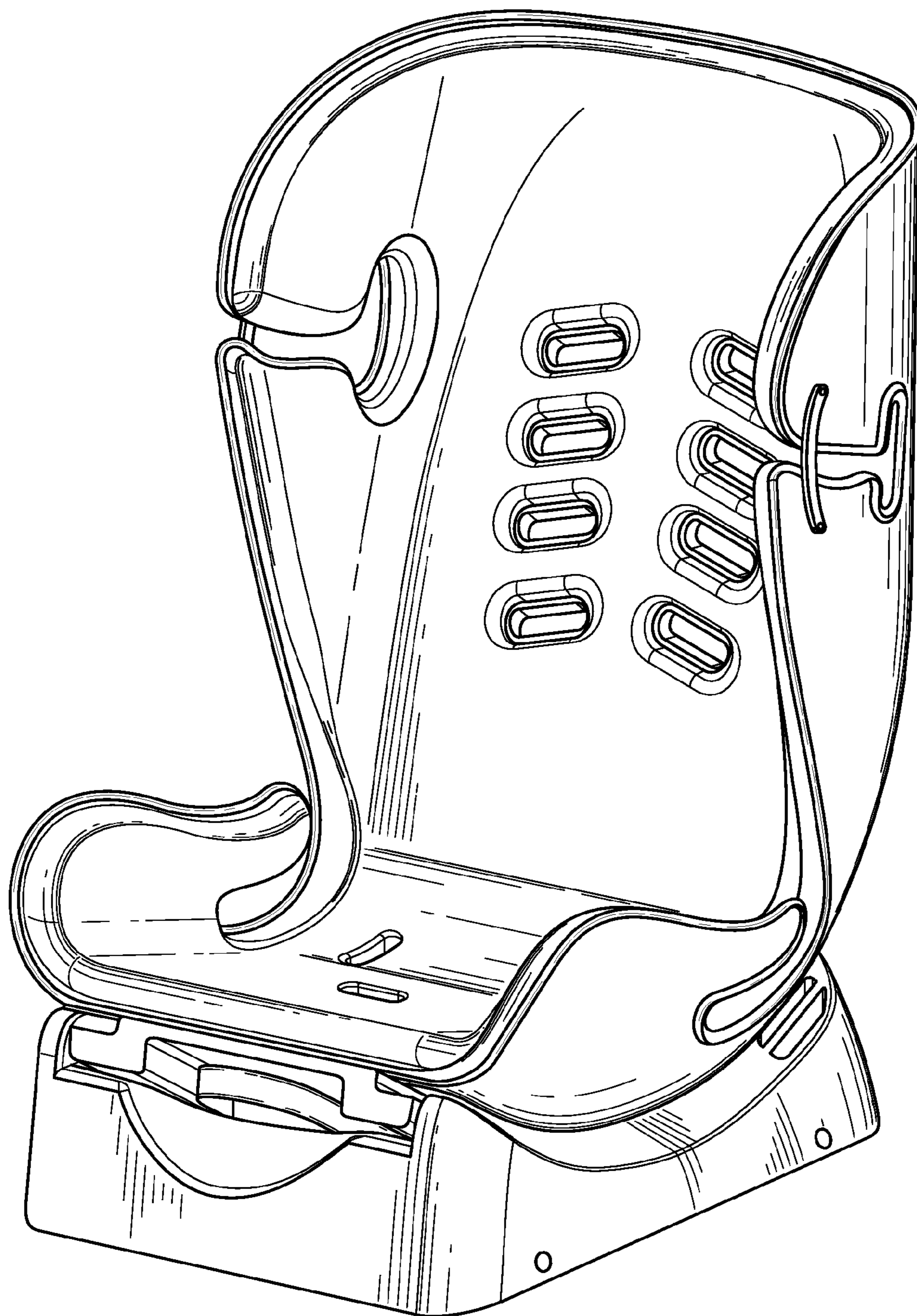


FIG. 1

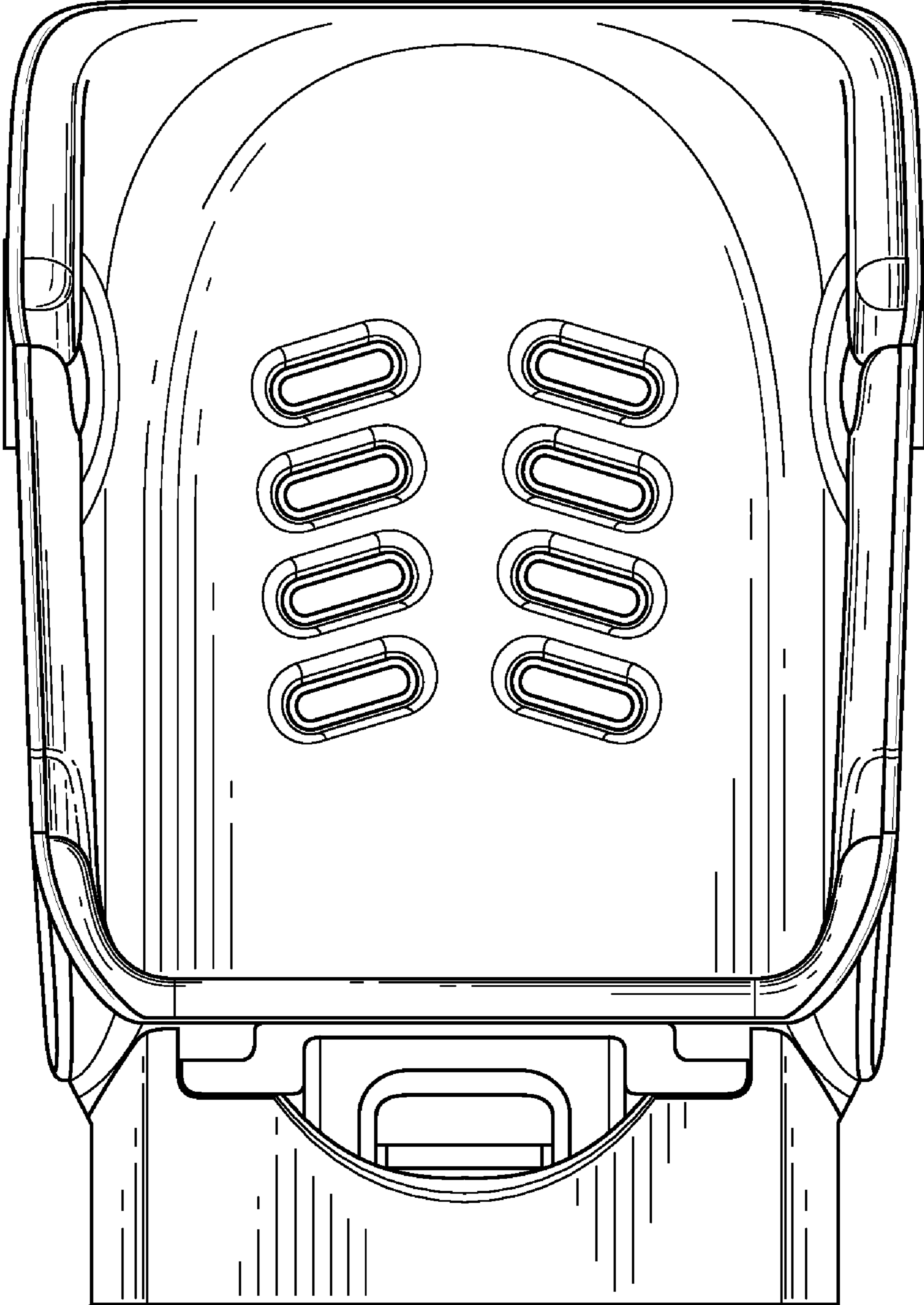


FIG. 2

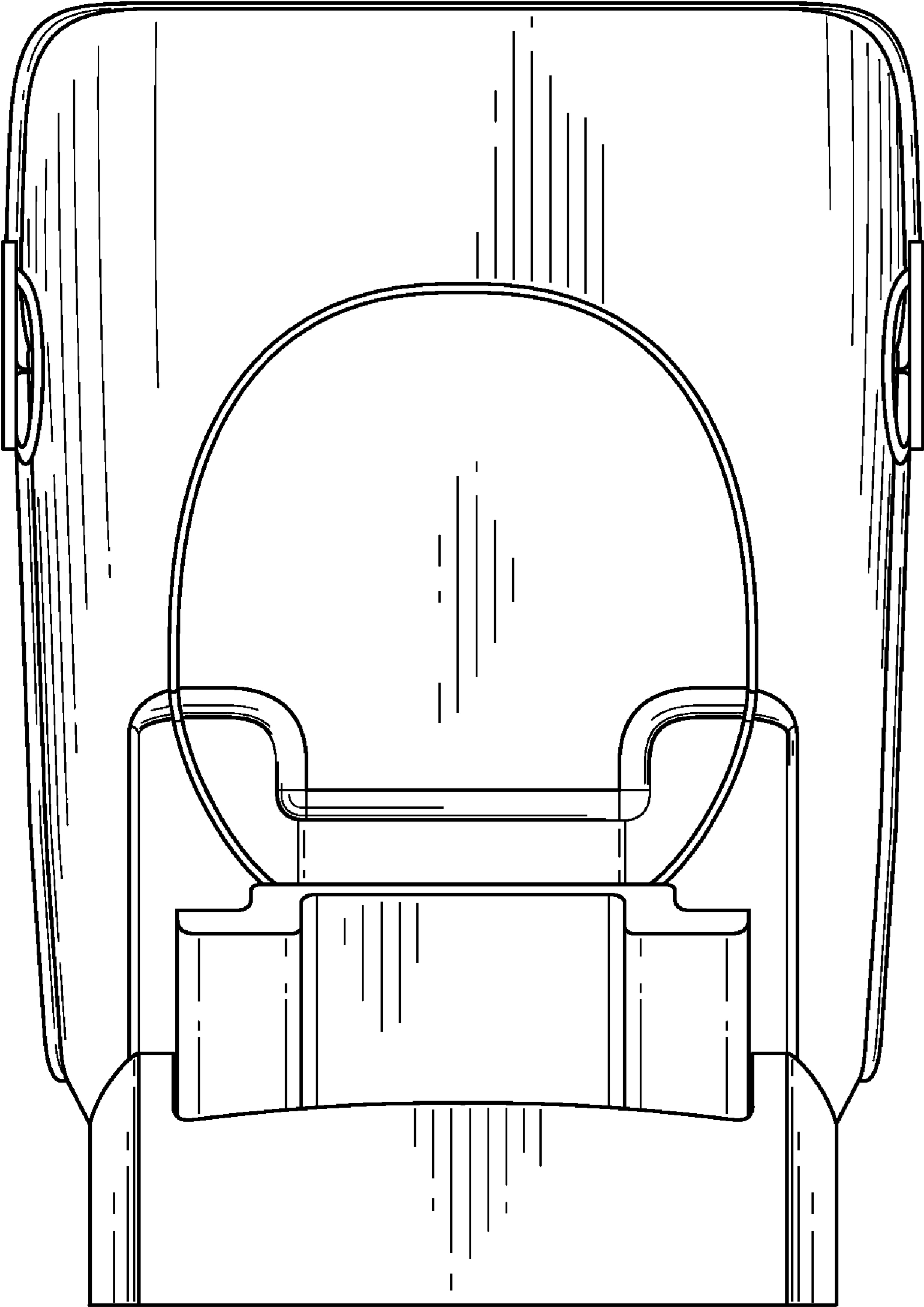


FIG. 3

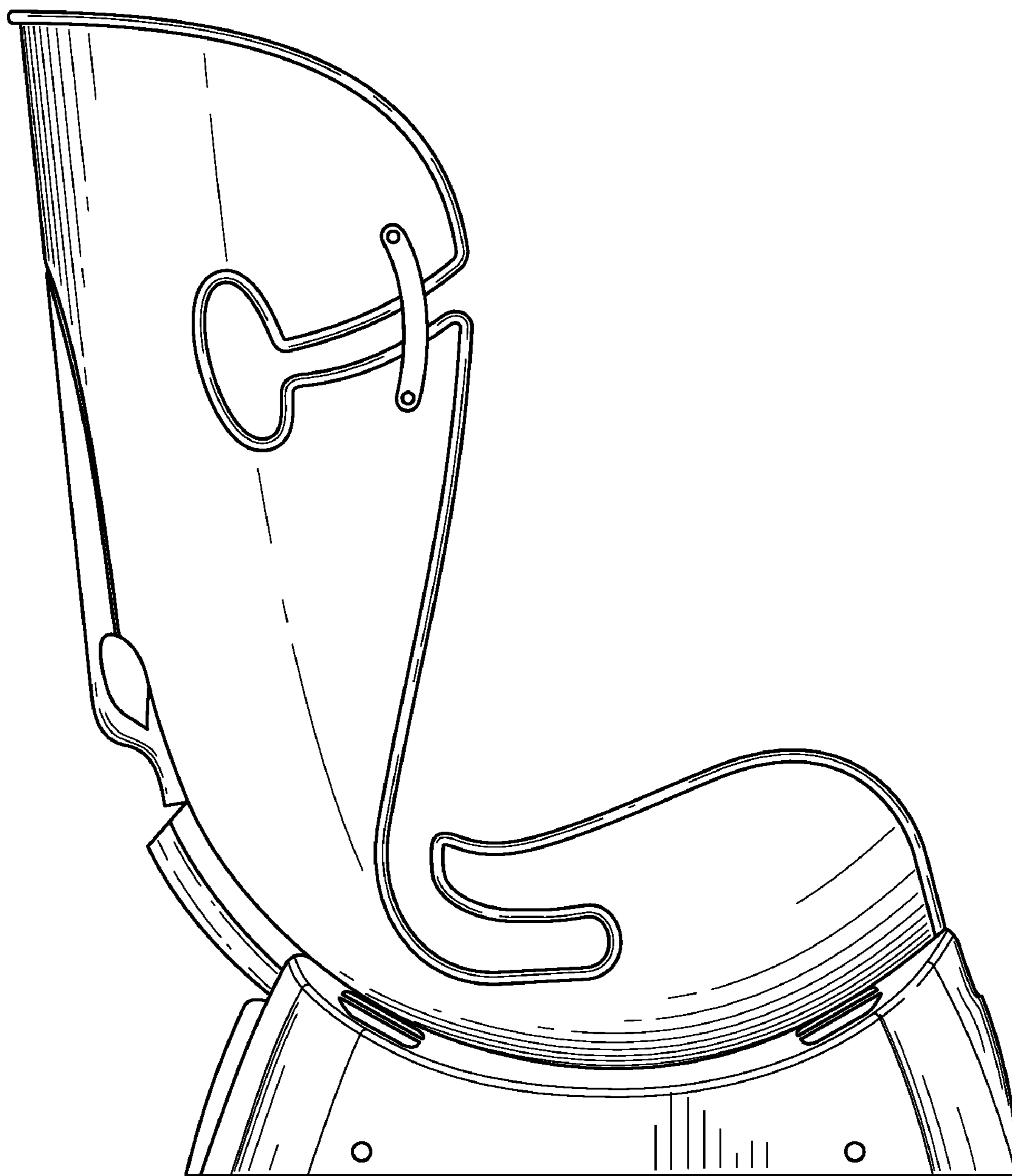


FIG. 4

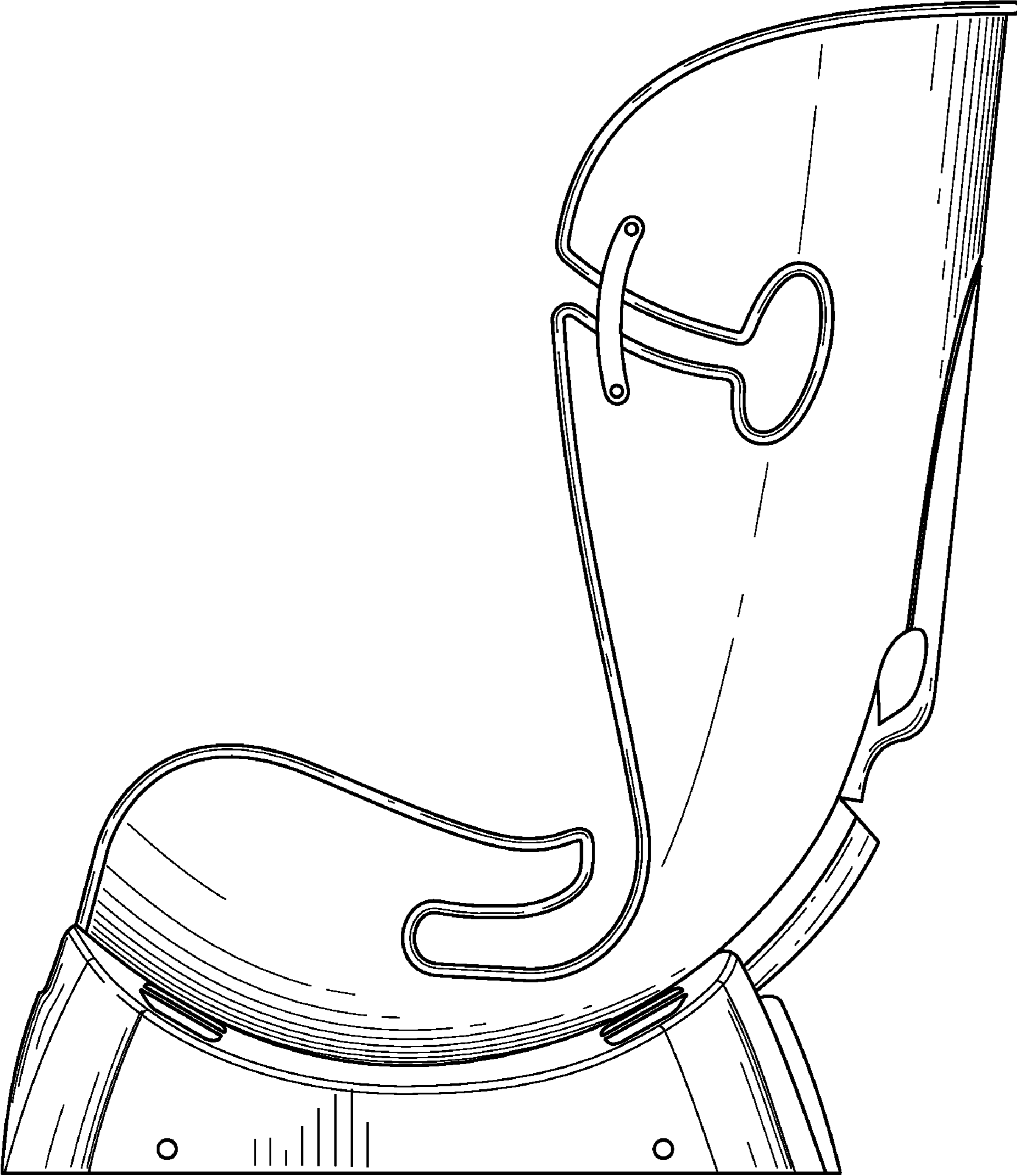


FIG. 5

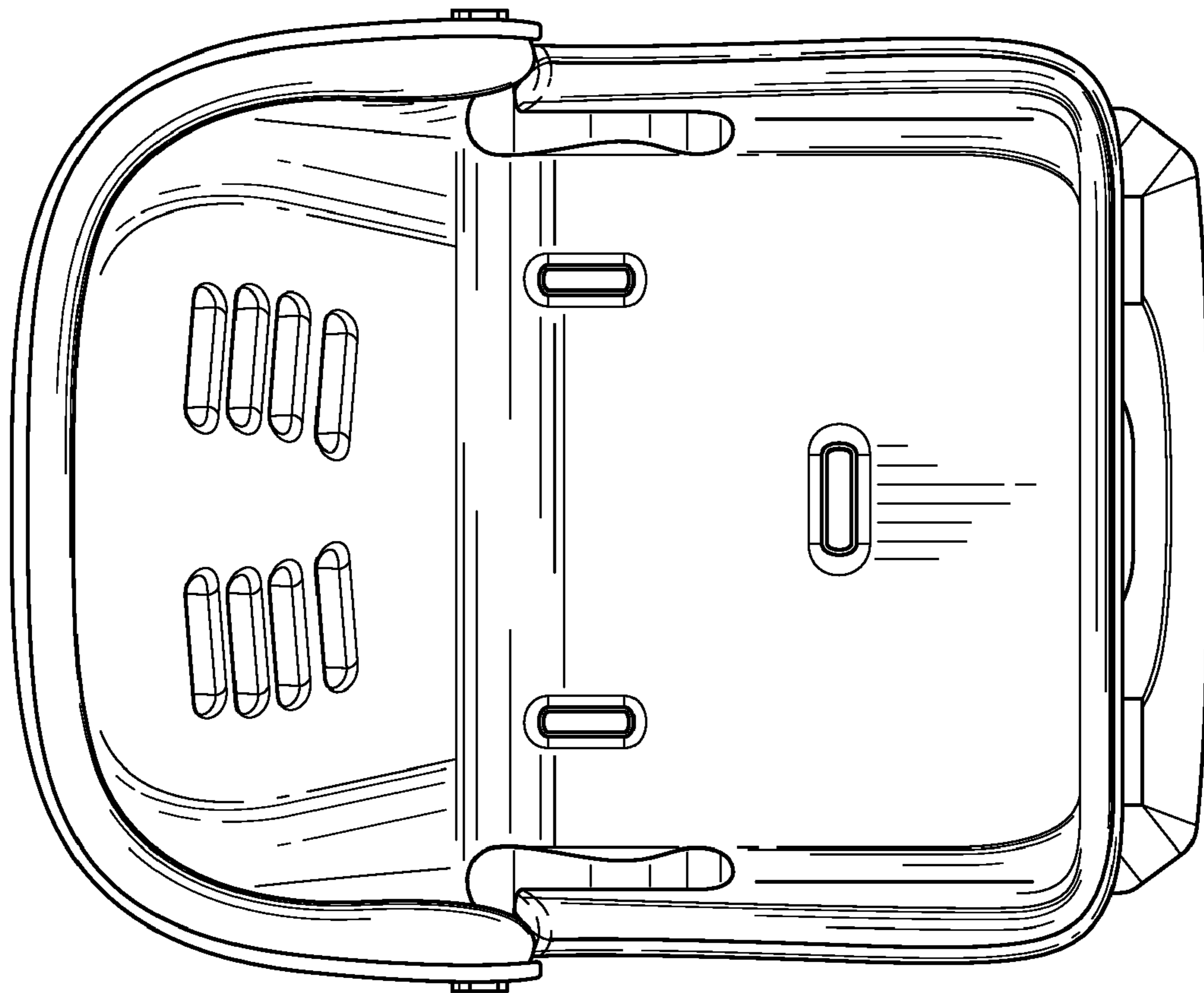


FIG. 6

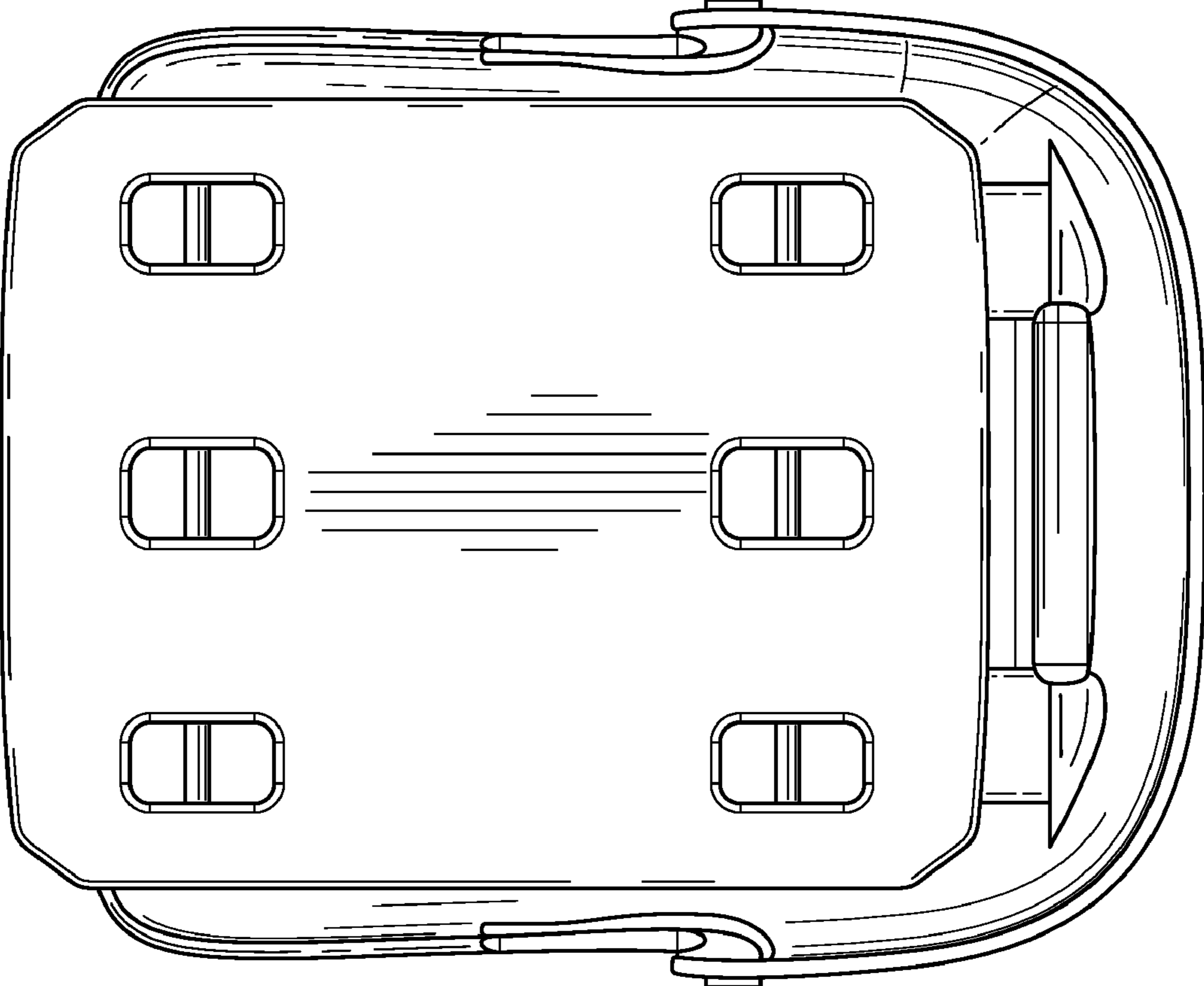


FIG. 7