

US00D629215S

(12) **United States Design Patent**
Burkman

(10) **Patent No.:** **US D629,215 S**

(45) **Date of Patent:** **** Dec. 21, 2010**

(54) **FRAME FOR DISPLAYING PHOTOS,
PICTURES, AND OTHER FLAT ART
OBJECTS**

(76) **Inventor:** **Don Charles Burkman, 540 180th St.,
Osceola, WI (US) 54020-5425**

(**) **Term:** **14 Years**

(21) **Appl. No.:** **29/281,161**

(22) **Filed:** **Jun. 15, 2007**

(51) **LOC (9) Cl.** **06-07**

(52) **U.S. Cl.** **D6/300; D6/511**

(58) **Field of Classification Search** D6/511,
D6/492, 553, 574, 572, 567, 629, 449; 248/469,
248/200, 300, 237; D19/54, 91; 52/745.19,
52/716.1-716.6; D8/381, 382, 377, 400,
D8/403, 349; D25/123, 119; D14/455, 457;
211/94.01, 13.1, 71, 74, 75, 86-88, 90, 126.1,
211/134, 162, 86.01, 175; 434/417; D9/341,
D9/344-345

See application file for complete search history.

(56) **References Cited**

U.S. PATENT DOCUMENTS

1,279,554	A	*	9/1918	Knapp	434/417
D110,622	S	*	7/1938	Lowry	D25/119
D162,842	S	*	4/1951	Klein	D25/119
D165,038	S	*	10/1951	Windhorst	D19/52
2,872,744	A	*	2/1959	Dallen	434/417
D275,348	S	*	9/1984	Olson	D6/574
4,840,342	A		6/1989	Sweeny et al.		
D306,670	S	*	3/1990	Pfleuger et al.	D6/511
D311,657	S	*	10/1990	Pate	D6/574
5,209,449	A		5/1993	Hart		
D337,618	S	*	7/1993	Chan	D19/92
D339,260	S	*	9/1993	Hillard et al.	D6/574
D344,423	S	*	2/1994	Pate	D6/511
D344,424	S	*	2/1994	Pate	D6/511

D345,268	S	*	3/1994	Pate	D6/511
D353,295	S	*	12/1994	Bodine	D25/123
D357,407	S	*	4/1995	Pate	D8/381
D383,122	S	*	9/1997	Parks	D14/455
D408,388	S	*	4/1999	Wiggins	D14/457
6,070,847	A		6/2000	Kirchner		
6,092,676	A	*	7/2000	Graham	211/94.01
6,095,478	A		8/2000	Barnes		
D436,782	S	*	1/2001	Rapp	D6/574
D462,992	S	*	9/2002	Beno	D19/54
6,585,218	B1		7/2003	Friberg		
D481,619	S	*	11/2003	Hightower	D8/382
D490,260	S	*	5/2004	Bowen	D6/511
D554,912	S	*	11/2007	Scicluna et al.	D6/492
D584,941	S	*	1/2009	Broehl et al.	D8/377
D597,604	S	*	8/2009	E	D19/91
D611,743	S	*	3/2010	Mitten et al.	D6/511
2004/0195194	A1		10/2004	Belokin et al.		

* cited by examiner

Primary Examiner—Philip S Hyder

Assistant Examiner—Sydney R Buffalow

(74) *Attorney, Agent, or Firm*—Kinney & Lange, P.A.

(57) **CLAIM**

The ornamental design for a frame for displaying photos, pictures, and other flat art objects, as shown and described.

DESCRIPTION

FIG. 1 is a perspective view of a frame for displaying photos, pictures, and other flat art objects showing my new design.

FIG. 2 is a top plan view thereof;

FIG. 3 is a right side view thereof;

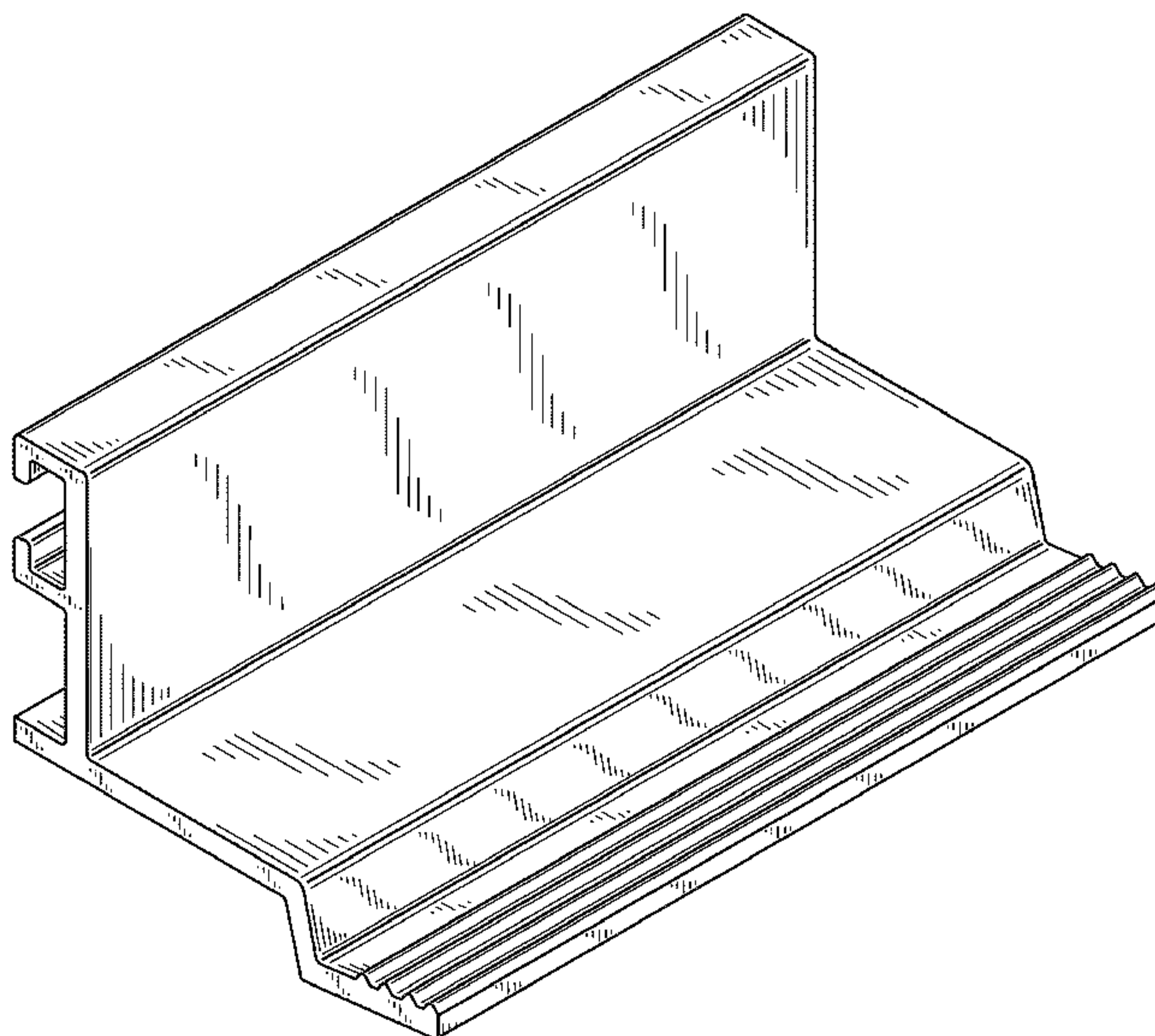
FIG. 4 is a front elevational view thereof;

FIG. 5 is a left side view thereof;

FIG. 6 is a rear elevational view thereof; and,

FIG. 7 is a bottom plan view.

1 Claim, 5 Drawing Sheets



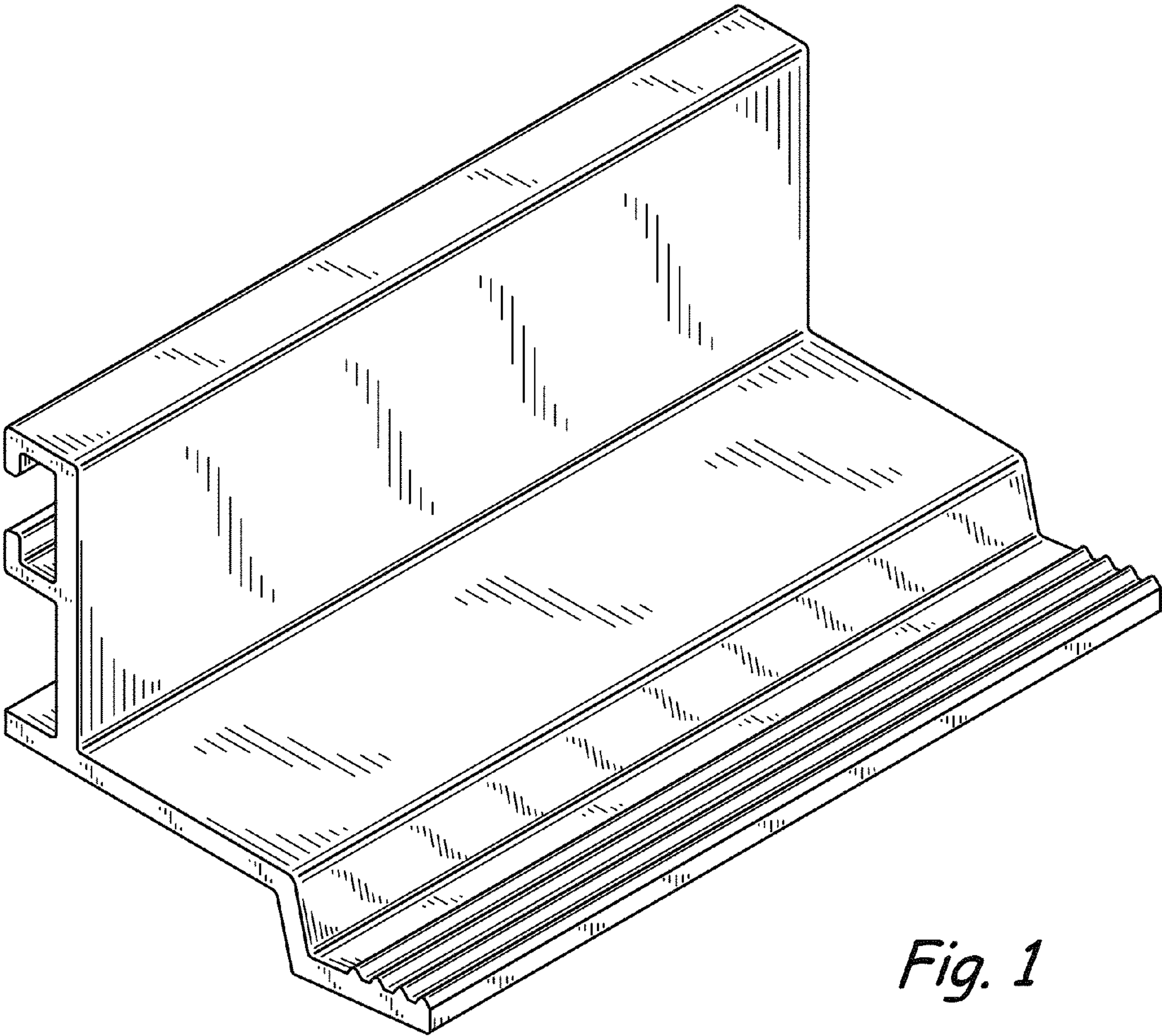


Fig. 1

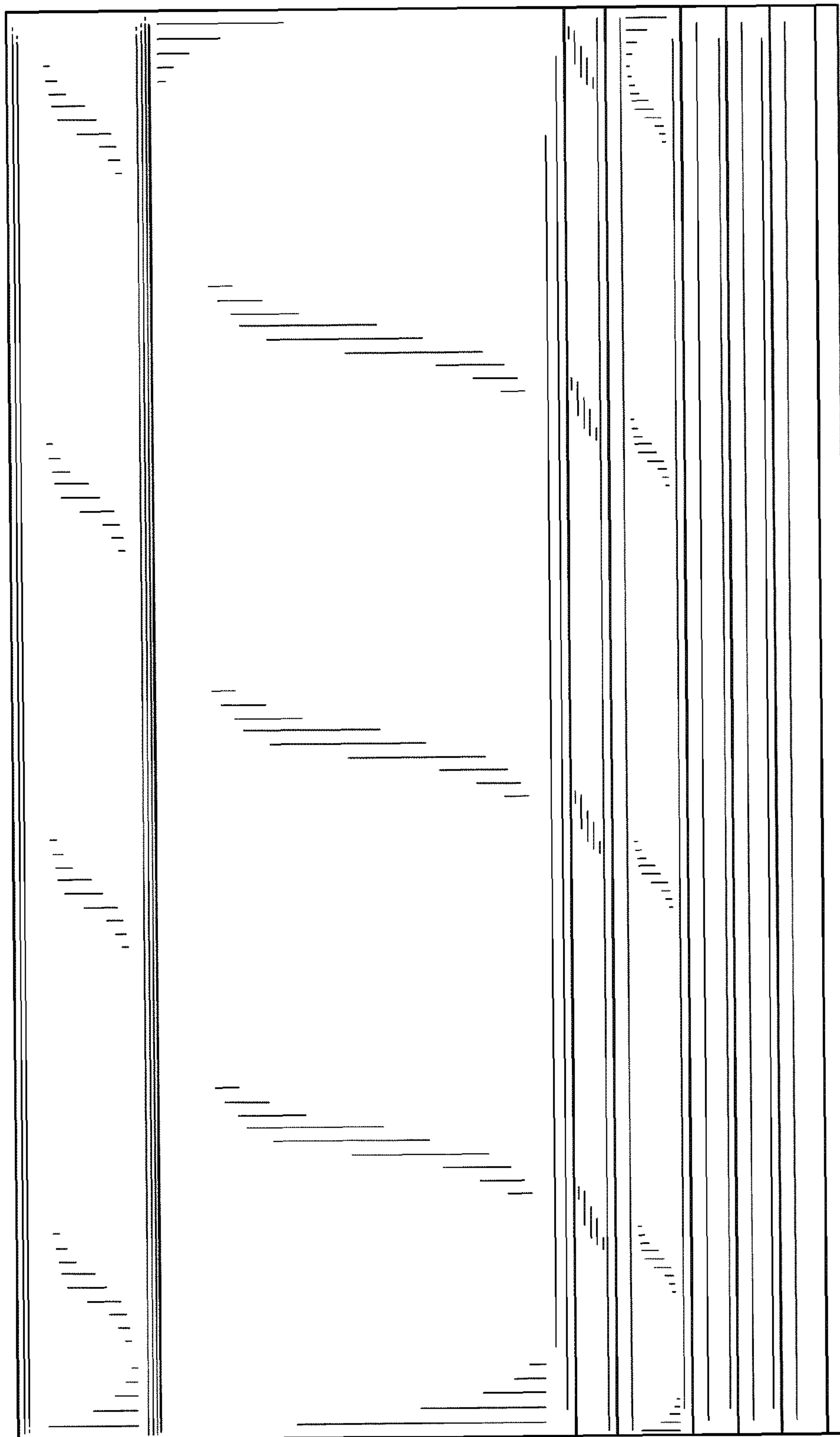


Fig. 2

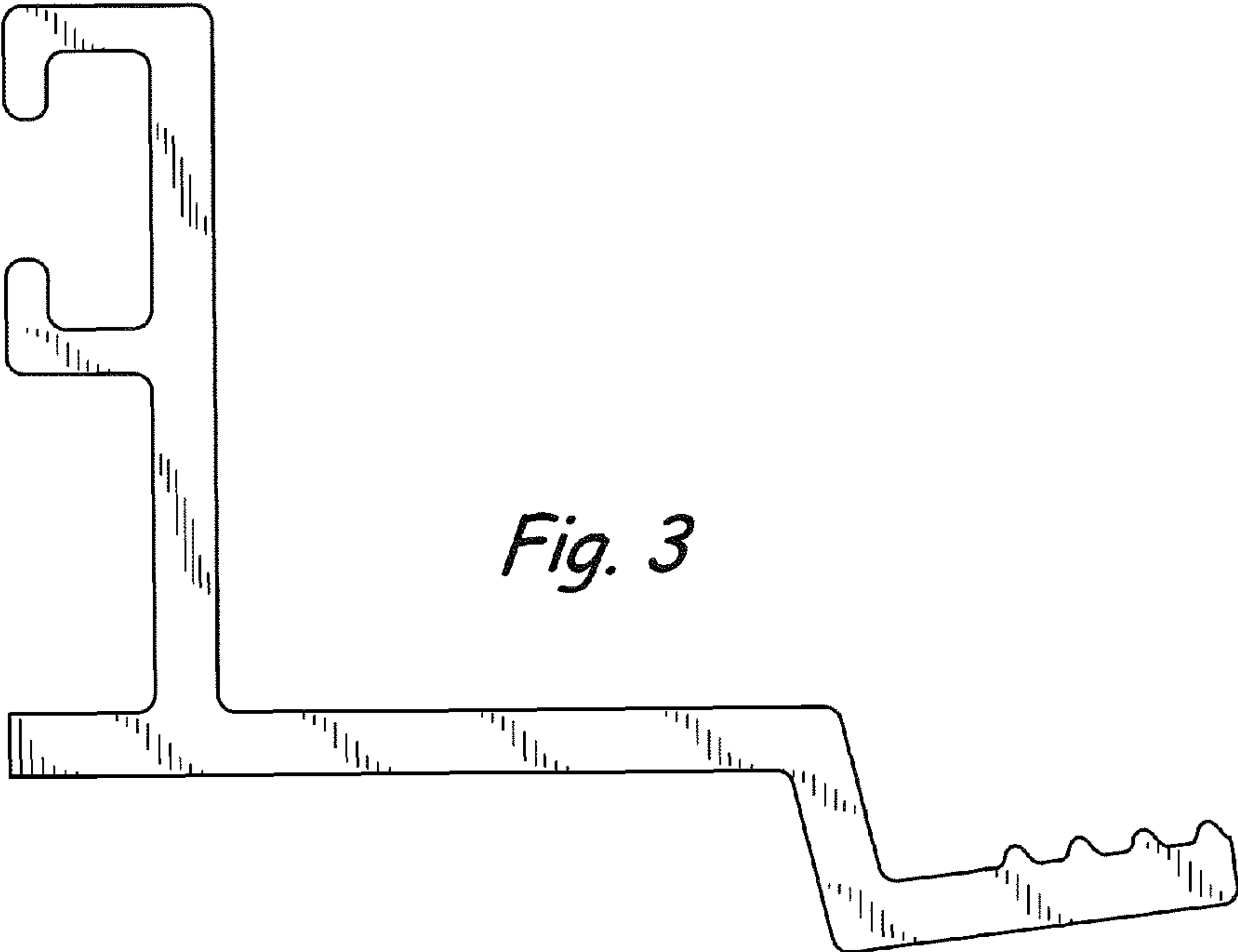


Fig. 3

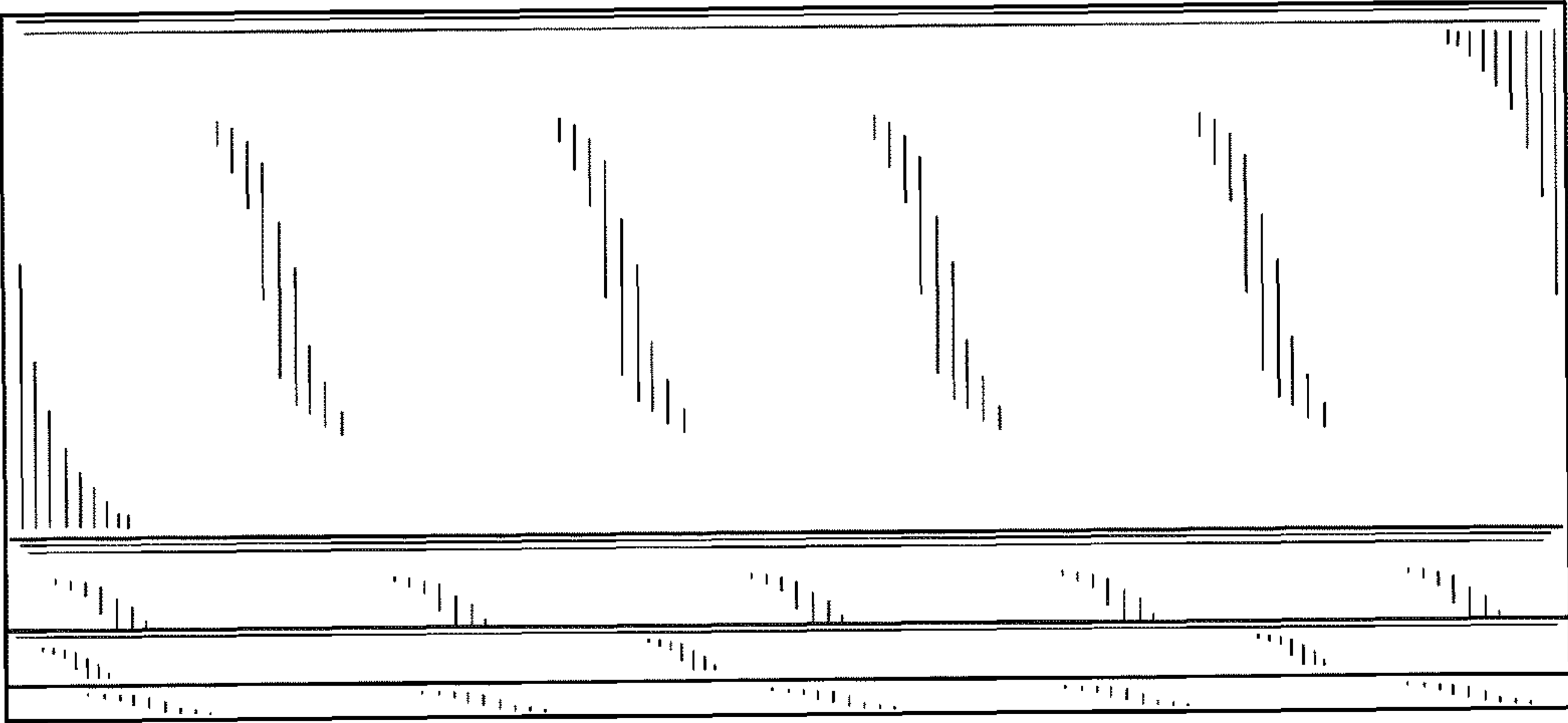


Fig. 4

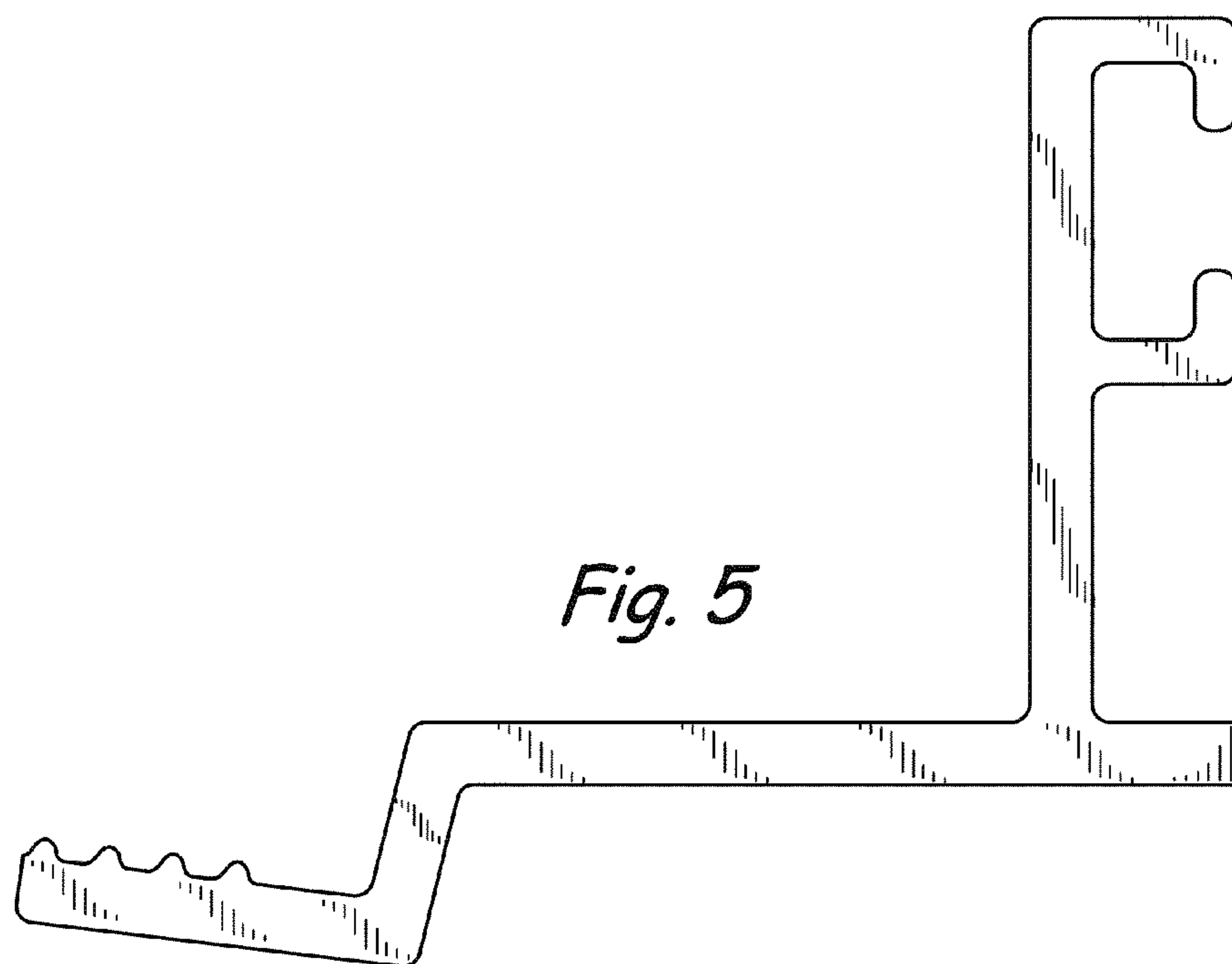


Fig. 5

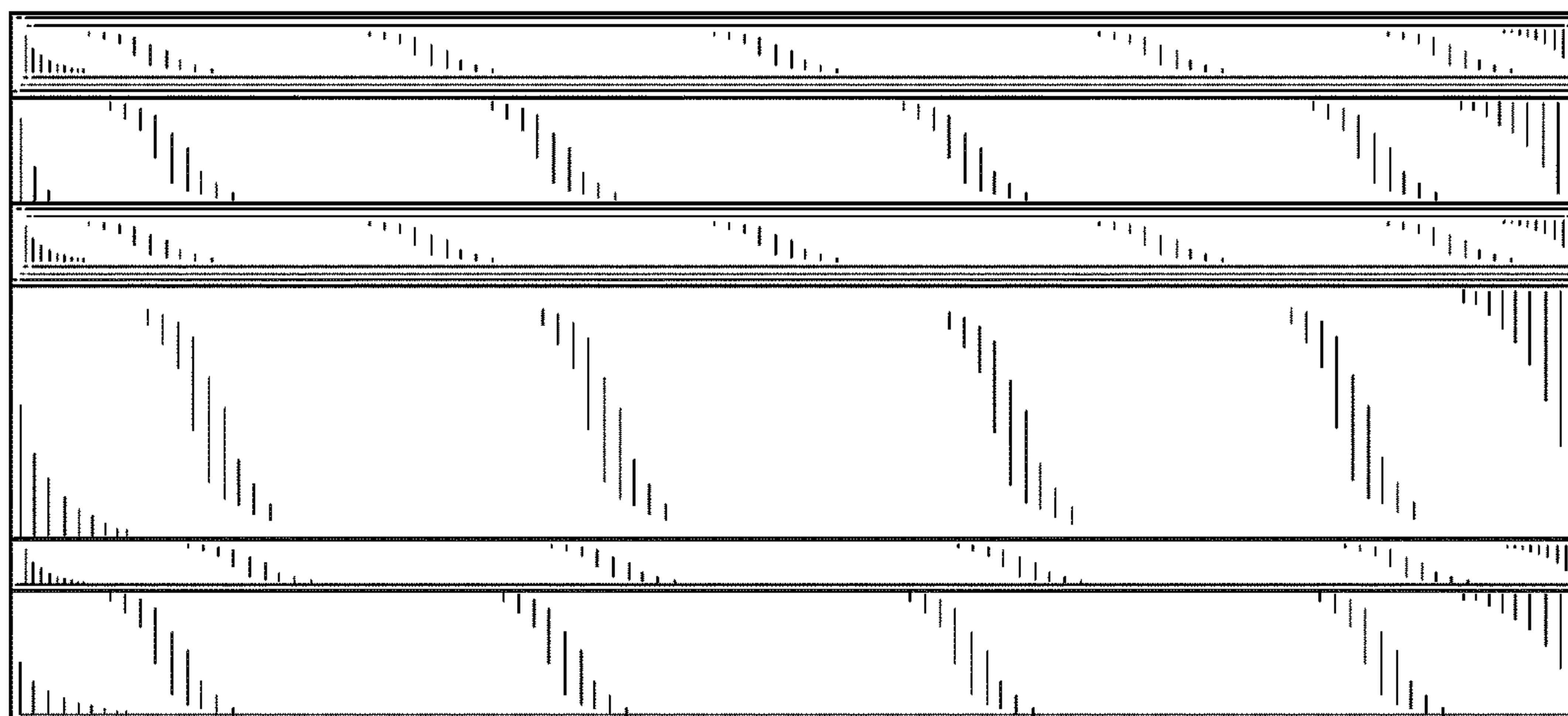


Fig. 6

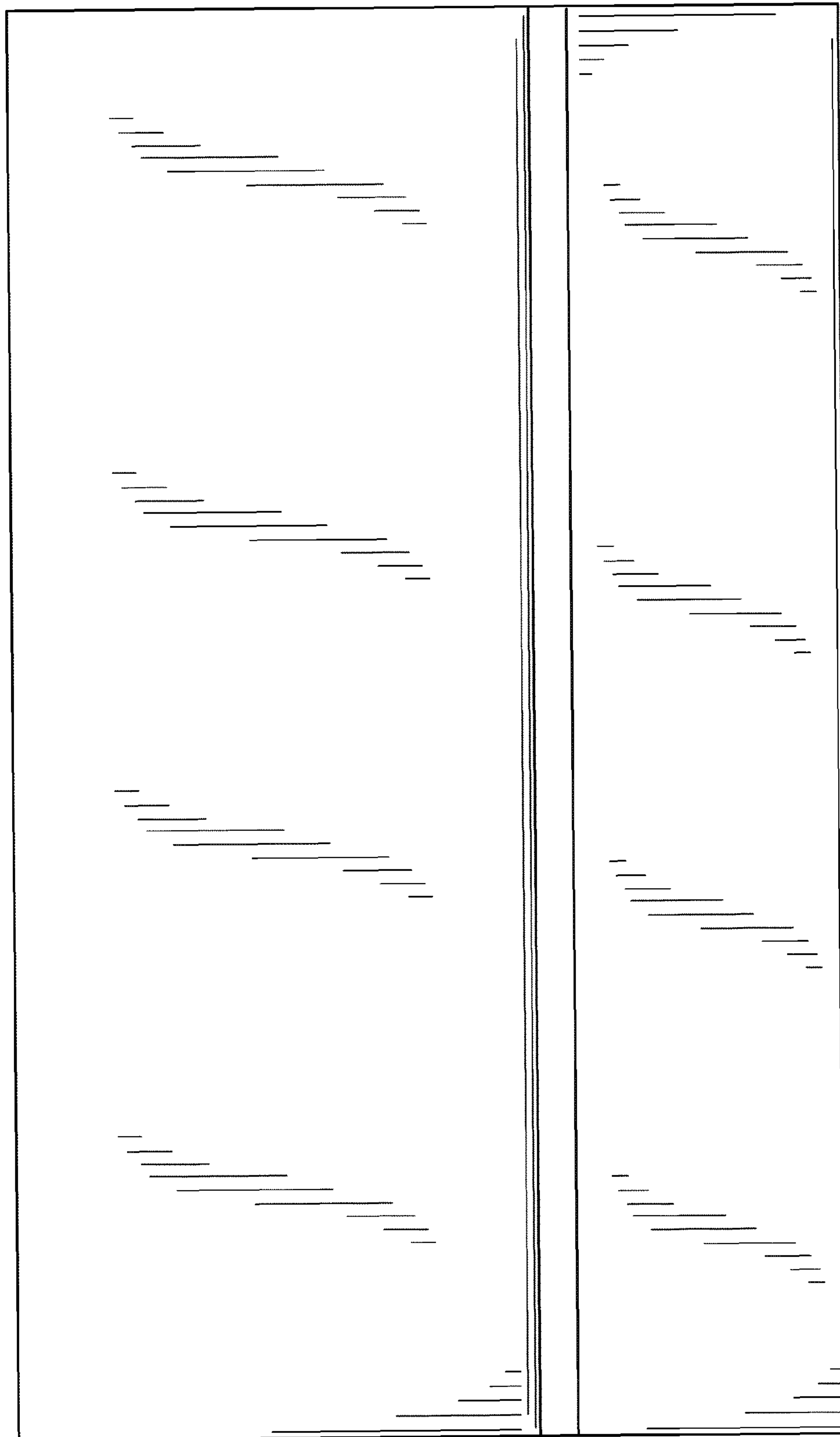


Fig. 7