



US00D629205S

(12) **United States Design Patent**
McGregor

(10) **Patent No.:** **US D629,205 S**

(45) **Date of Patent:** **** Dec. 21, 2010**

(54) **HATCH TRAY**

D439,049 S * 3/2001 Koefeldt D3/304
D469,255 S * 1/2003 Hammett D3/314

(75) Inventor: **Michael Andrew McGregor**, Addison,
TX (US)

* cited by examiner

(73) Assignee: **Southwest Agri-Plastics, Inc.**, Dallas,
TX (US)

Primary Examiner—Robert M Spear
Assistant Examiner—Rashida C McCoy

(74) *Attorney, Agent, or Firm*—Gardere Wynne Sewell, LLP

(**) Term: **14 Years**

(57) **CLAIM**

(21) Appl. No.: **29/344,445**

The ornamental design for a hatch tray, as shown and described.

(22) Filed: **Sep. 29, 2009**

DESCRIPTION

(51) **LOC (9) Cl.** **03-01**

(52) **U.S. Cl.** **D3/304; D30/120**

(58) **Field of Classification Search** D3/304–315;
D30/118–120, 199; D9/424, 425, 432, 456,
D9/457, 756, 755; 206/503–505, 509, 510,
206/514, 515, 518, 519, 499, 564, 427; 220/509,
220/516

See application file for complete search history.

FIG. 1 is a bottom perspective view of a hatch tray showing my new design;

FIG. 2 is an enlarged fragmentary bottom perspective view of the hatch tray shown in FIG. 1;

FIG. 3 is a bottom plan view thereof;

FIG. 4 is a left view thereof;

FIG. 5 is a right view thereof;

FIG. 6 is a front view thereof;

FIG. 7 is a back view thereof;

FIG. 8 is a top perspective view of the hatch tray shown in FIG. 1;

FIG. 9 is an enlarged fragmentary top perspective view of the hatch tray shown in FIG. 8;

FIG. 10 is a top plan view thereof;

FIG. 11 is a left view thereof;

FIG. 12 is a right view thereof;

FIG. 13 is a front view thereof; and,

FIG. 14 is a back view thereof.

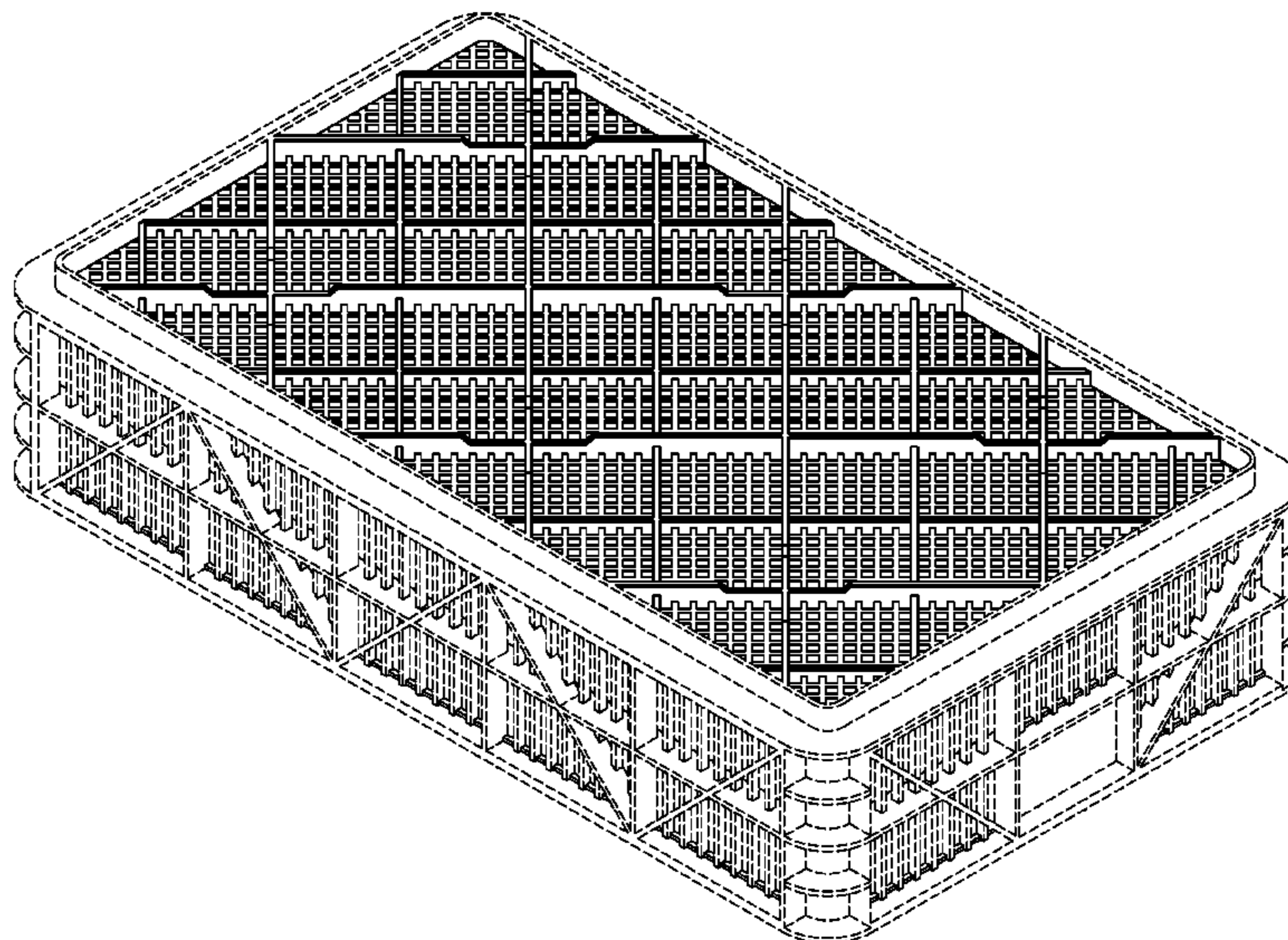
The broken lines illustrate unclaimed environment and form no part of the claimed design.

(56) **References Cited**

U.S. PATENT DOCUMENTS

1,715,755	A	*	6/1929	Harvey	119/323
2,255,036	A	*	9/1941	Gedge	119/322
D210,274	S	*	2/1968	Wilson	D3/304
D226,457	S	*	3/1973	Wilson	D3/304
D233,268	S	*	10/1974	Rehrig	D3/314
D233,373	S	*	10/1974	Fraser	D3/314
D247,649	S	*	3/1978	Carroll et al.	D3/314
D275,047	S	*	8/1984	Andersson	D3/314
D319,908	S	*	9/1991	Stahl	D3/304
D328,662	S	*	8/1992	Maglione	D3/314
5,197,626	A	*	3/1993	Bernstein	220/507
D354,167	S	*	1/1995	Stahl	D3/304
D355,073	S	*	2/1995	Junaedi	D3/305
D381,363	S	*	7/1997	Jackson	D19/92
D400,012	S	*	10/1998	Apps	D3/314
D401,066	S	*	11/1998	Ackermann	D3/307
D417,549	S	*	12/1999	Cassani et al.	D3/314

1 Claim, 8 Drawing Sheets



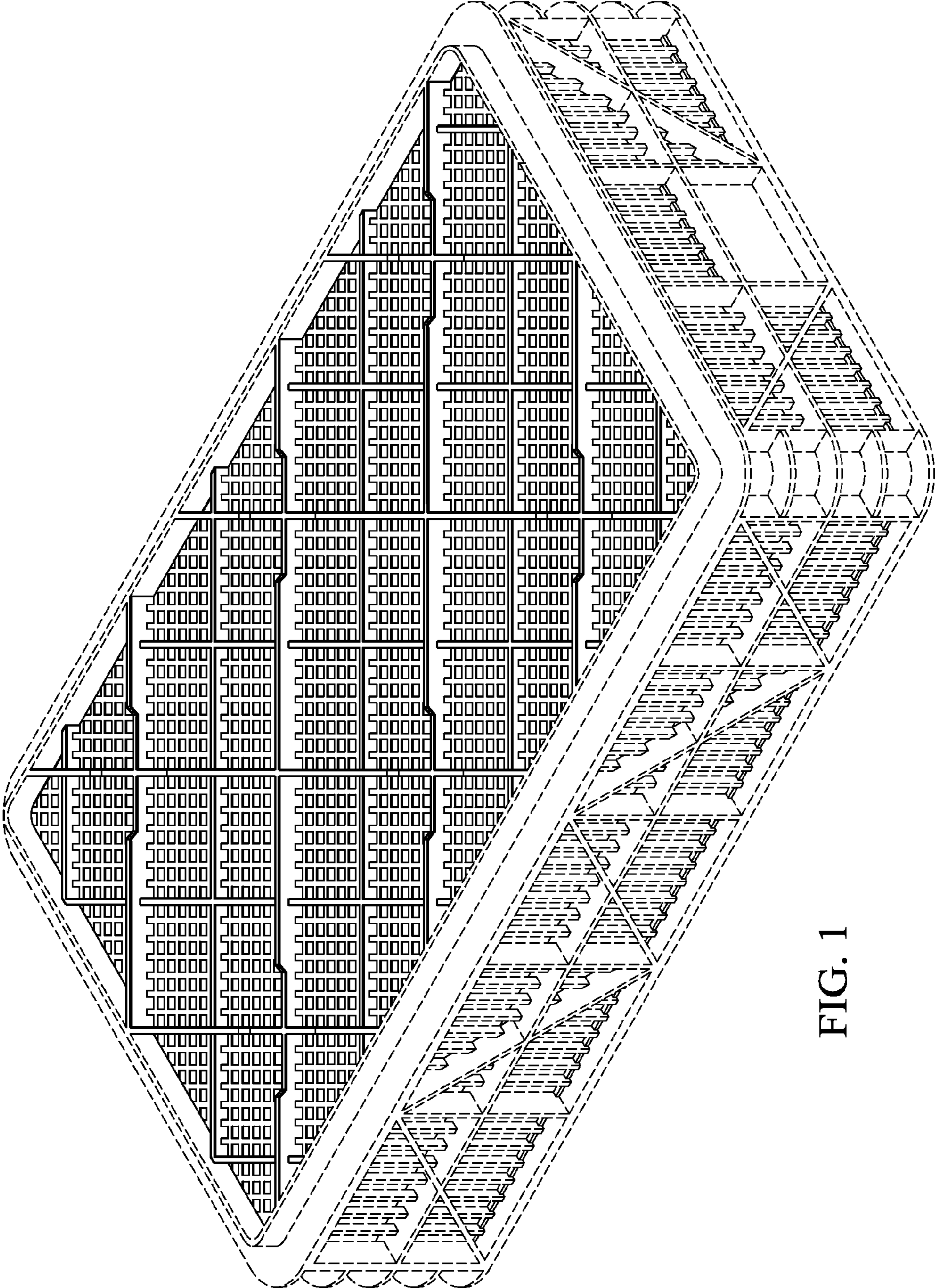


FIG. 1

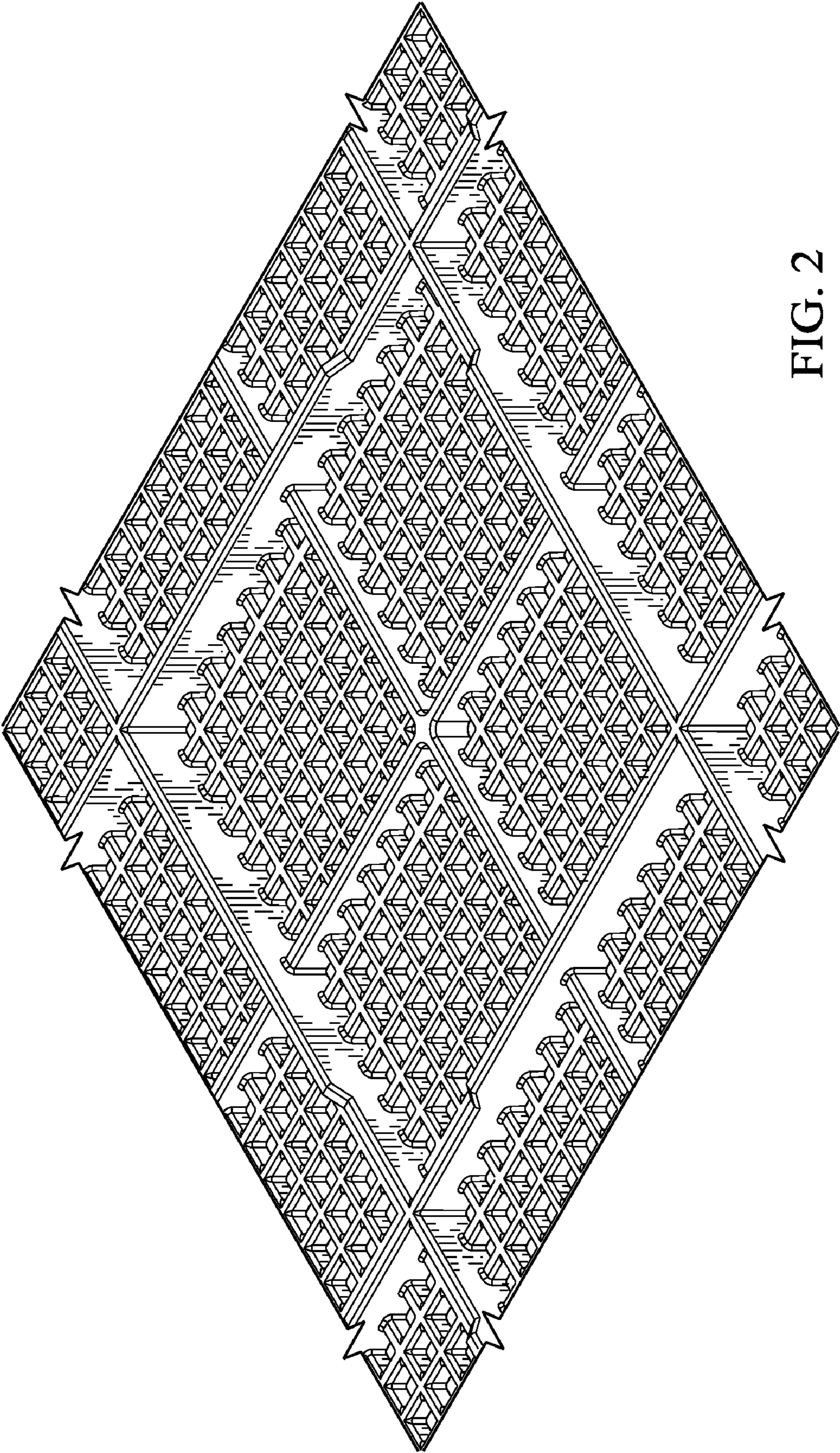


FIG. 2

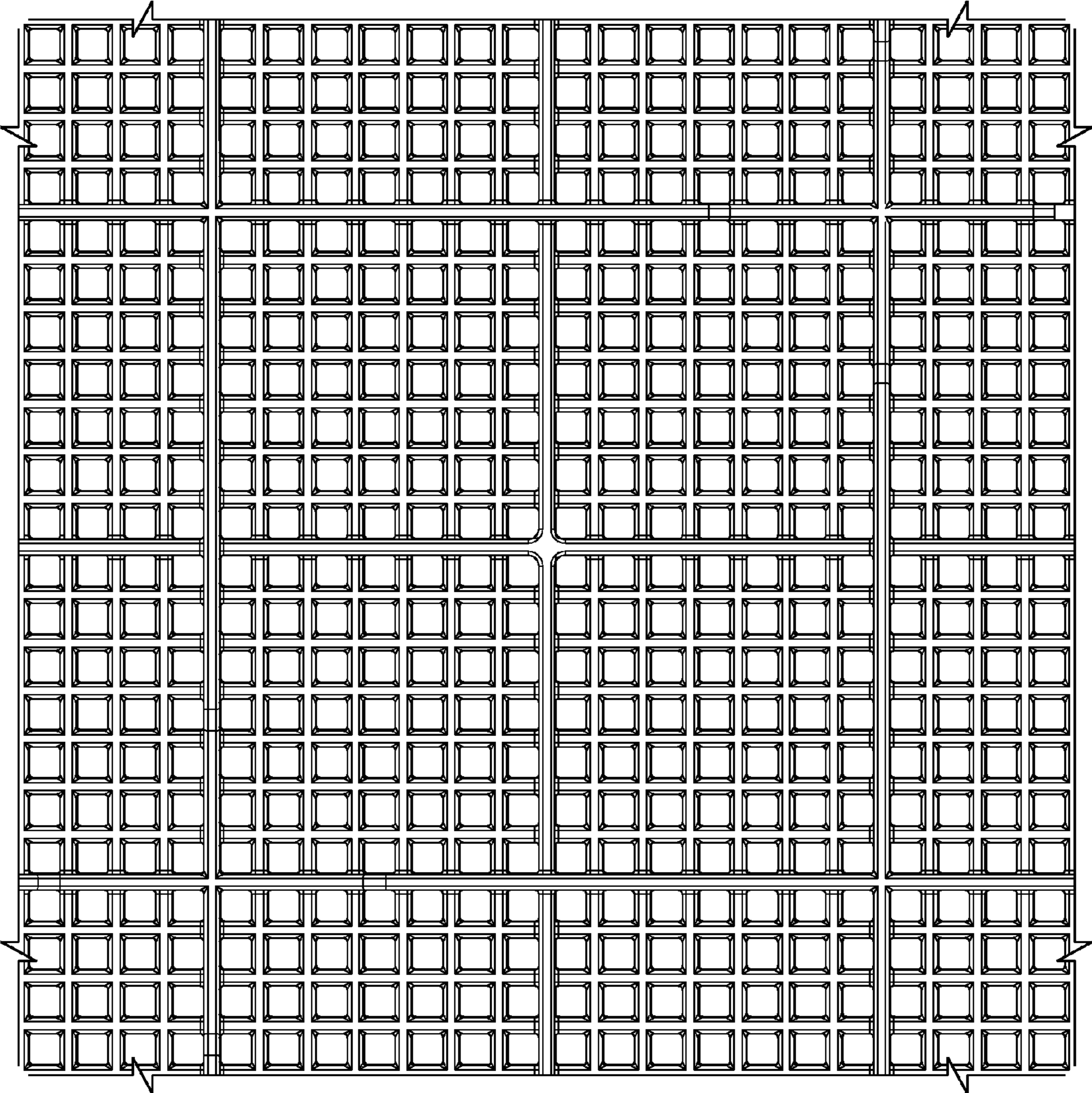
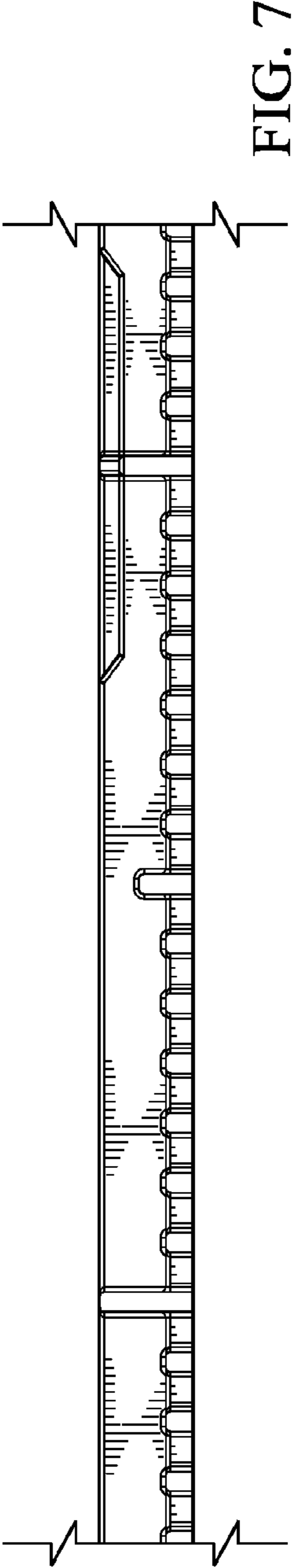
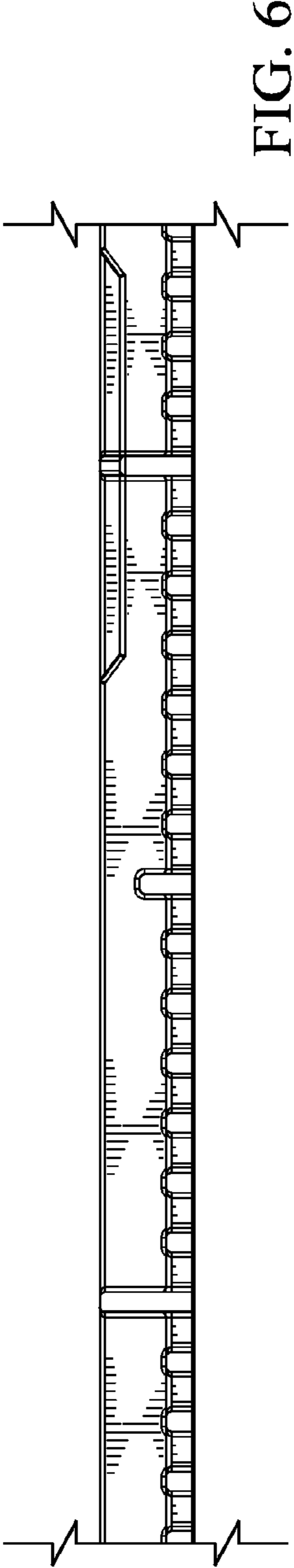
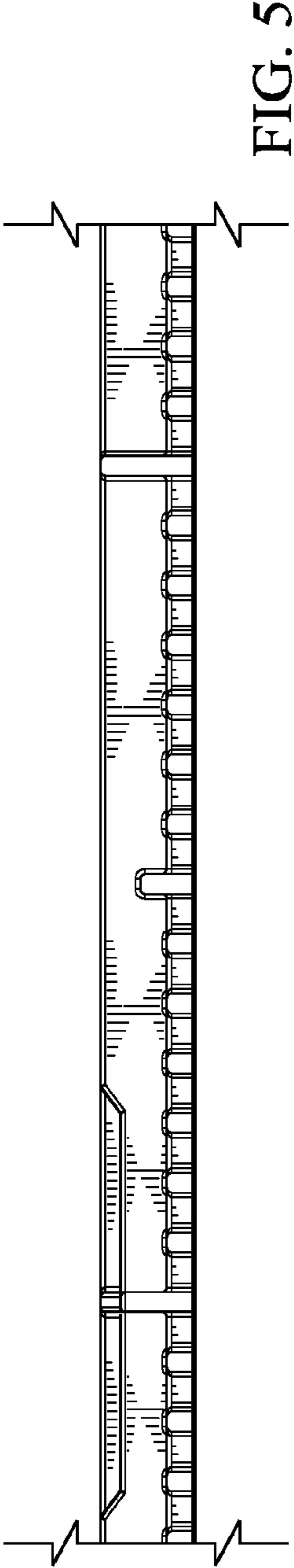
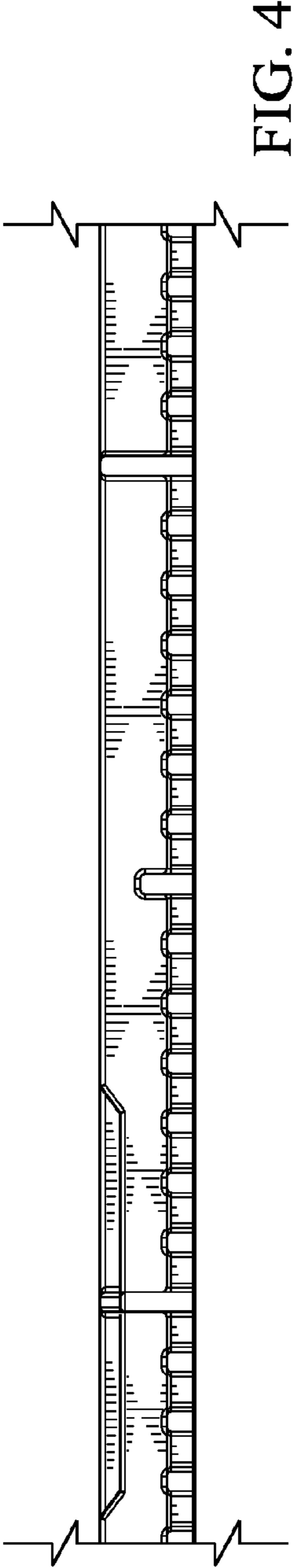


FIG. 3



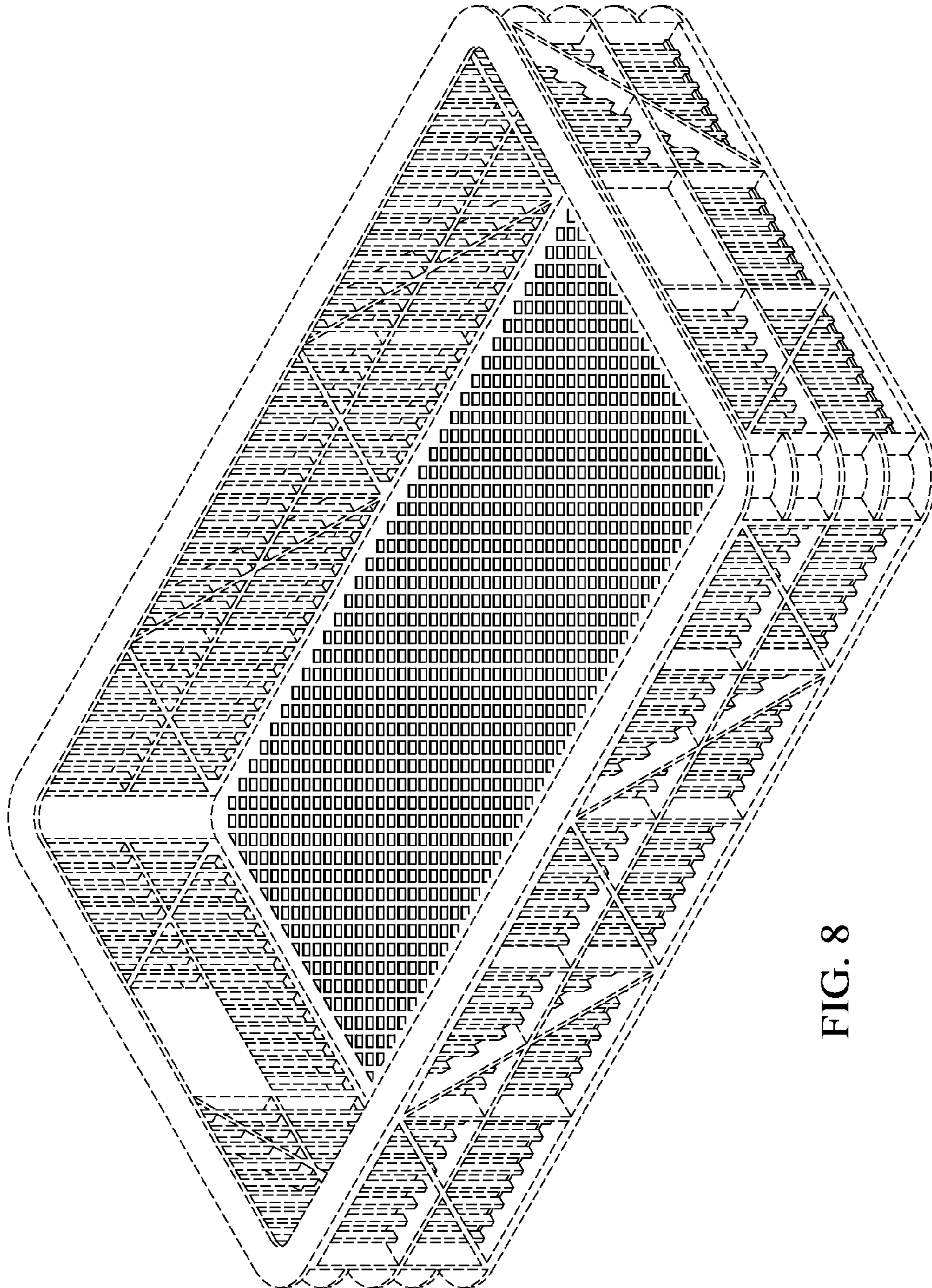


FIG. 8

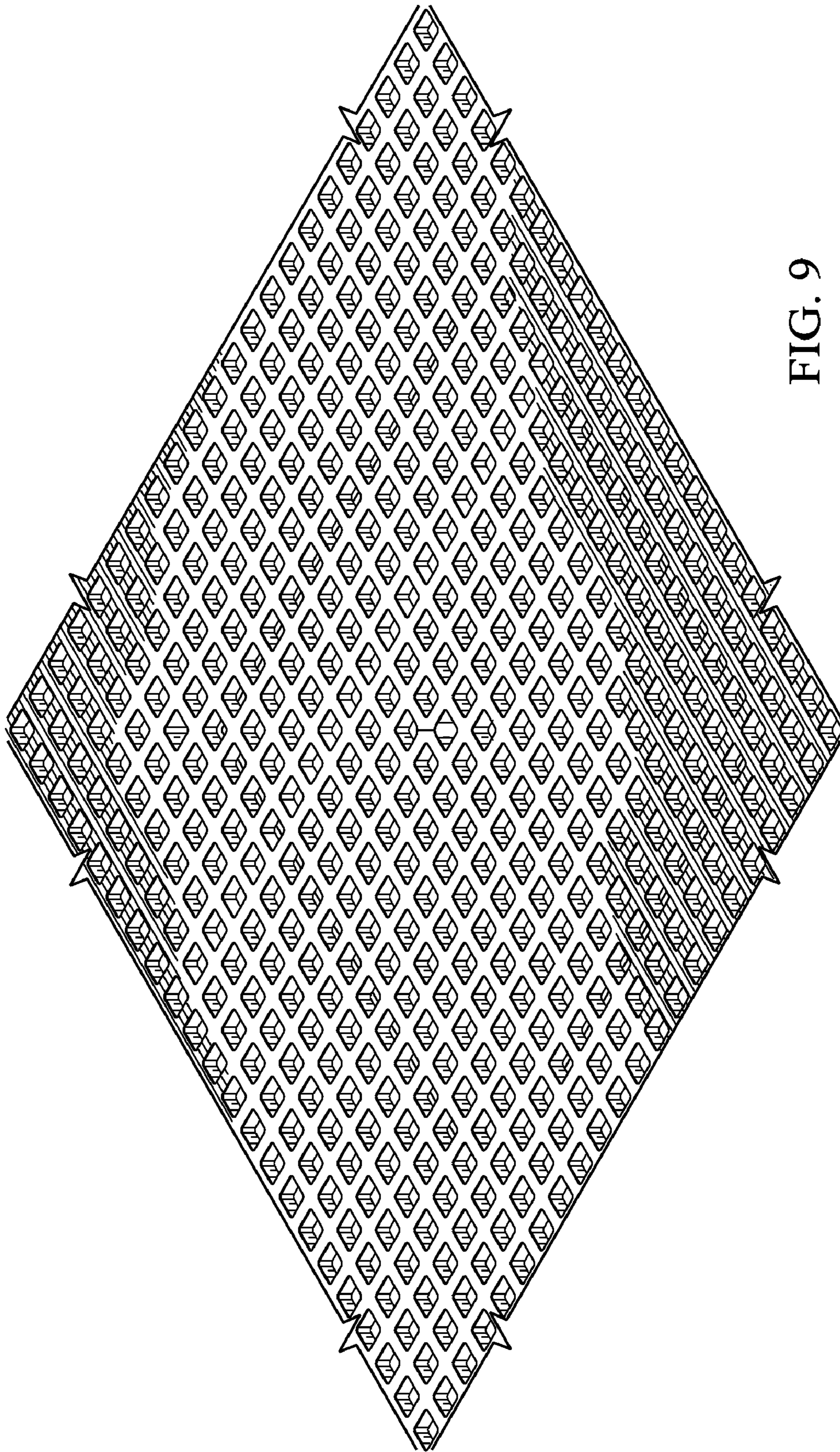


FIG. 9

FIG. 10

