



US00D629204S

(12) **United States Design Patent**
Spira

(10) **Patent No.:** **US D629,204 S**

(45) **Date of Patent:** **** Dec. 21, 2010**

- (54) **MULTI-COMPARTMENT POUCH**
- (75) Inventor: **Henry Erwin Spira**, Vacluse (AU)
- (73) Assignee: **Agressor Corporation Pty. Ltd.**,
Vacluse, NSW (AU)
- (**) Term: **14 Years**
- (21) Appl. No.: **29/343,261**
- (22) Filed: **Sep. 10, 2009**
- (30) **Foreign Application Priority Data**
Mar. 11, 2009 (AU) 10782/2009
- (51) **LOC (9) Cl.** **03-02**
- (52) **U.S. Cl.** **D3/303; D3/301; 150/143;**
150/112
- (58) **Field of Classification Search** D3/303,
D3/226, 233, 270, 301; 150/112, 114, 117,
150/131, 143
See application file for complete search history.

- D439,040 S * 3/2001 Vazquez D3/233
- D490,238 S * 5/2004 Bristel D3/226
- D538,532 S * 3/2007 Cassegrain D3/232
- D603,605 S * 11/2009 Dingman D3/226

* cited by examiner

Primary Examiner—Ian Simmons

Assistant Examiner—Charles D Hanson

(74) *Attorney, Agent, or Firm*—Cermak Nakajima LLP;
Adam J. Cermak

(57) **CLAIM**

The ornamental design for a multi-compartment pouch, as shown and described.

DESCRIPTION

FIG. 1 is a top, right, front perspective view of a multi-compartment pouch showing my new design;

FIG. 2 is a bottom, left, rear perspective view of a multi-compartment pouch shown in FIG. 1;

FIG. 3 is right side elevational view of a multi-compartment pouch showing my new design;

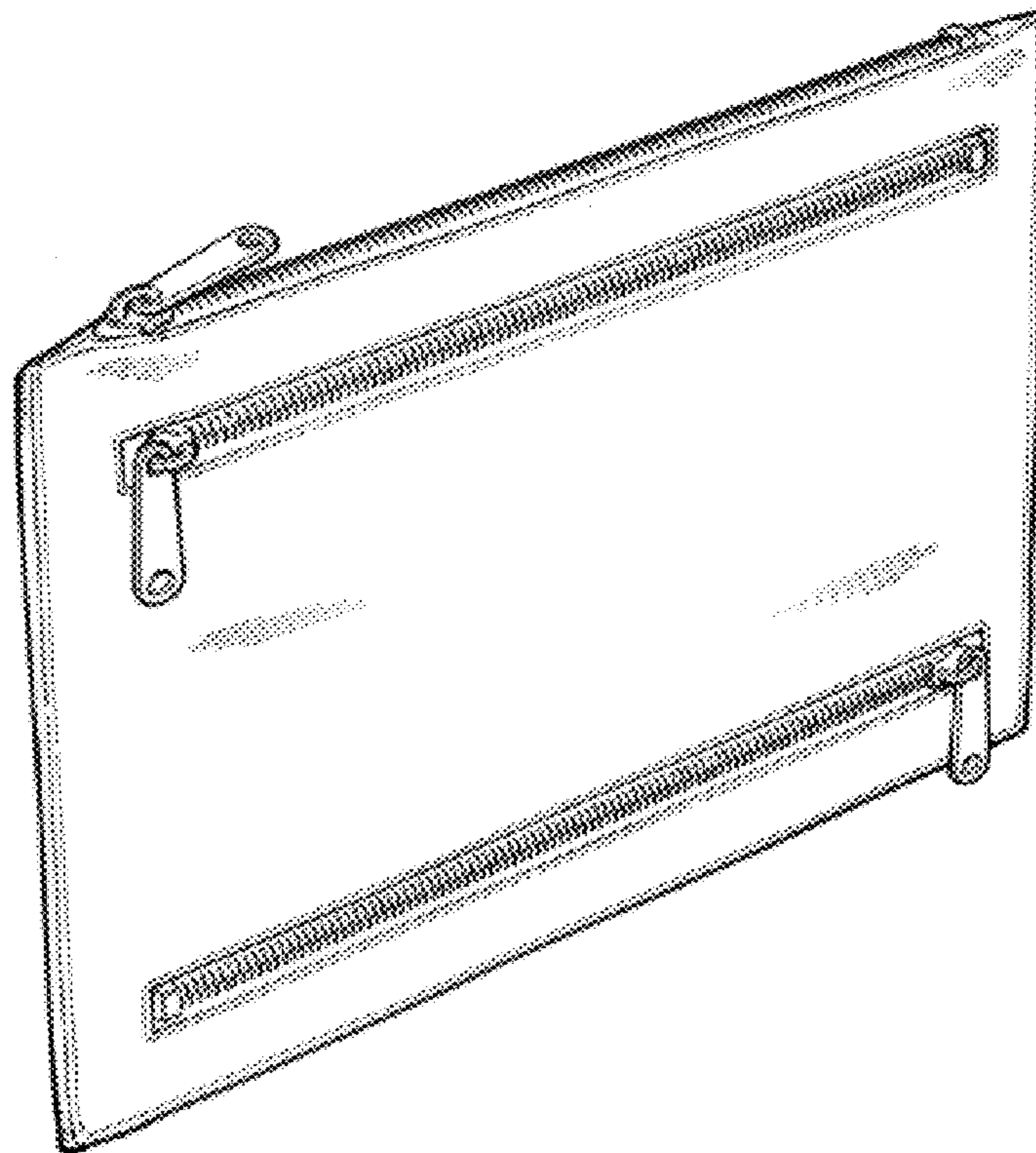
FIG. 4 is a front elevational view of a multi-compartment pouch shown in FIG. 1;

FIG. 5 is a top plan view of a multi-compartment pouch in FIG. 1; and,

FIG. 6 is a top, rear perspective view of a multi-compartment pouch shown in FIG. 1, with portions partially open.

1 Claim, 3 Drawing Sheets

- (56) **References Cited**
U.S. PATENT DOCUMENTS
- D157,266 S * 2/1950 Kiernan 150/117
- 2,527,059 A * 10/1950 Di Mezza 150/117
- D249,592 S * 9/1978 Libonati D3/226
- D288,744 S * 3/1987 Taylor D3/226
- 4,782,874 A * 11/1988 Chartier 150/112
- D384,813 S * 10/1997 King D3/270



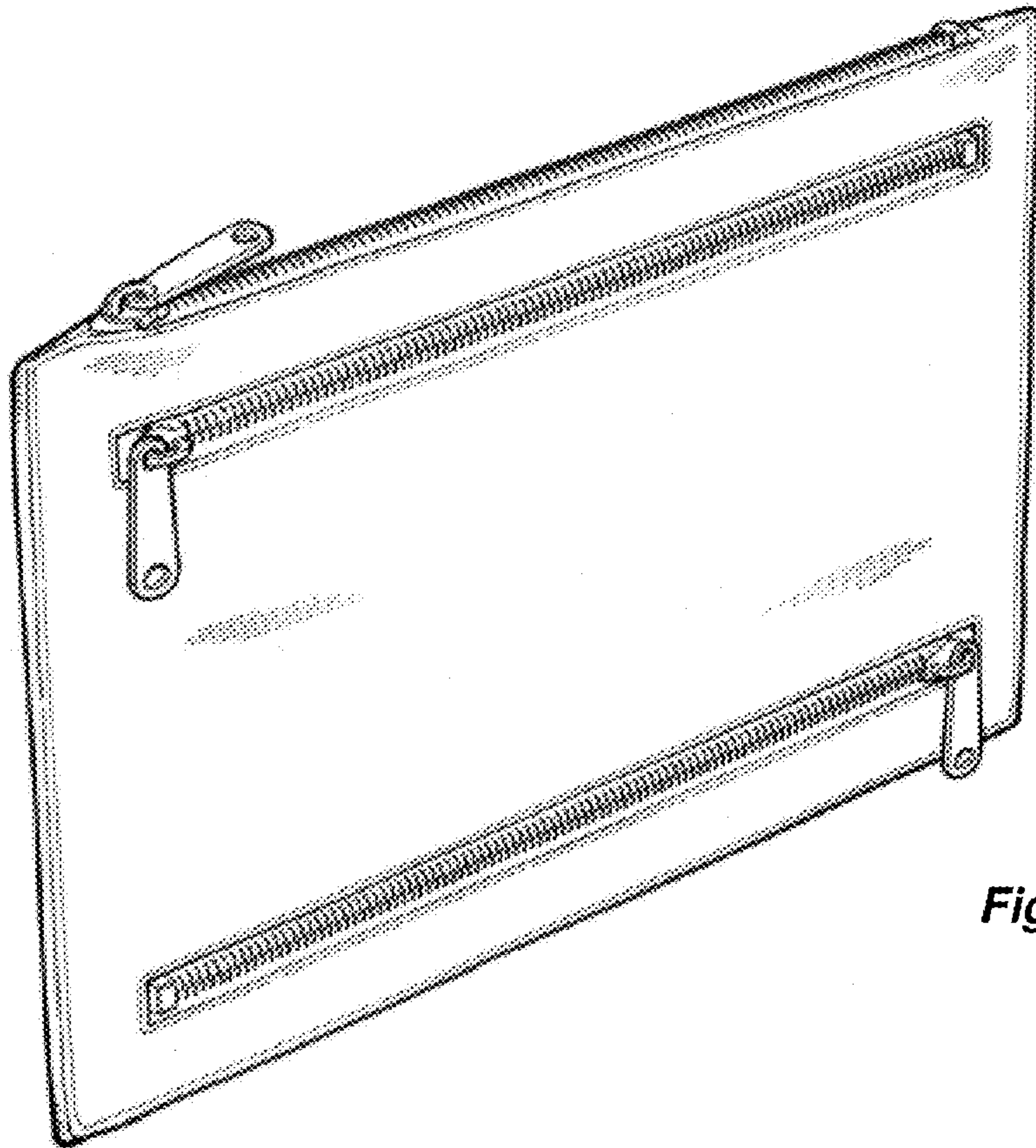


Fig. 1

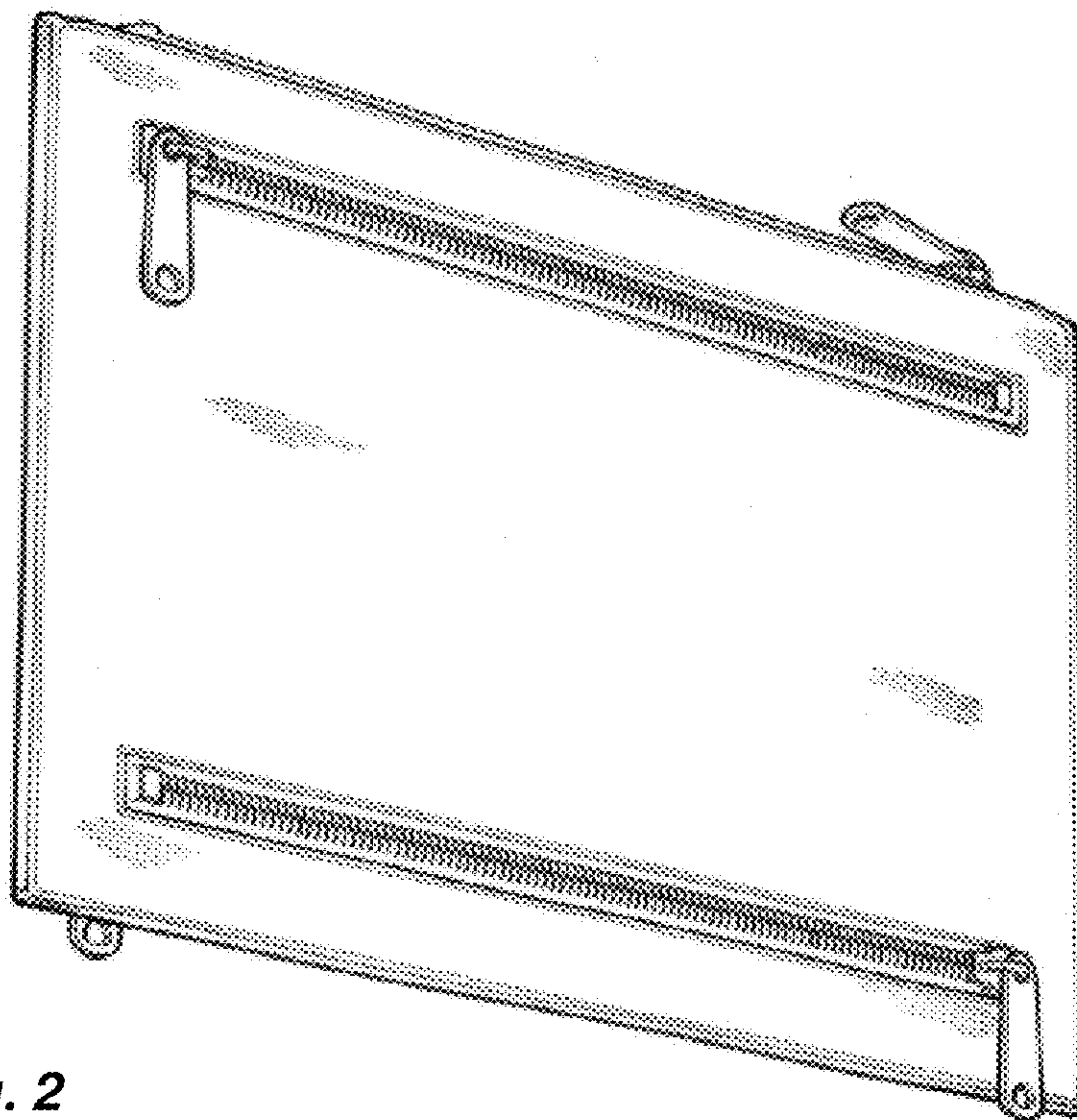


Fig. 2



Fig. 3

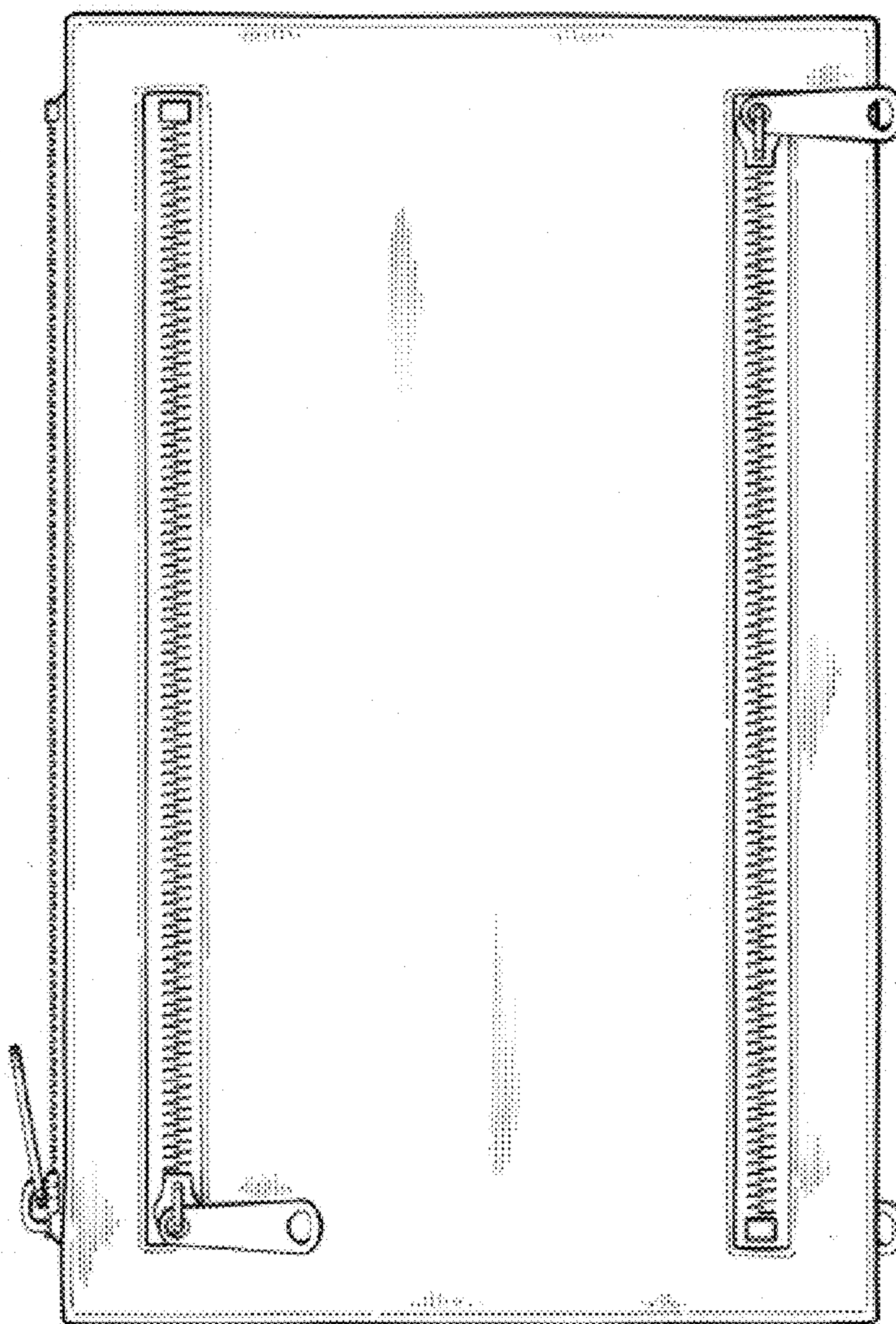


Fig. 4

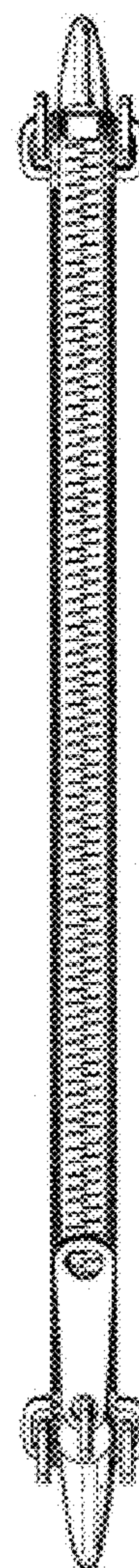


Fig. 5

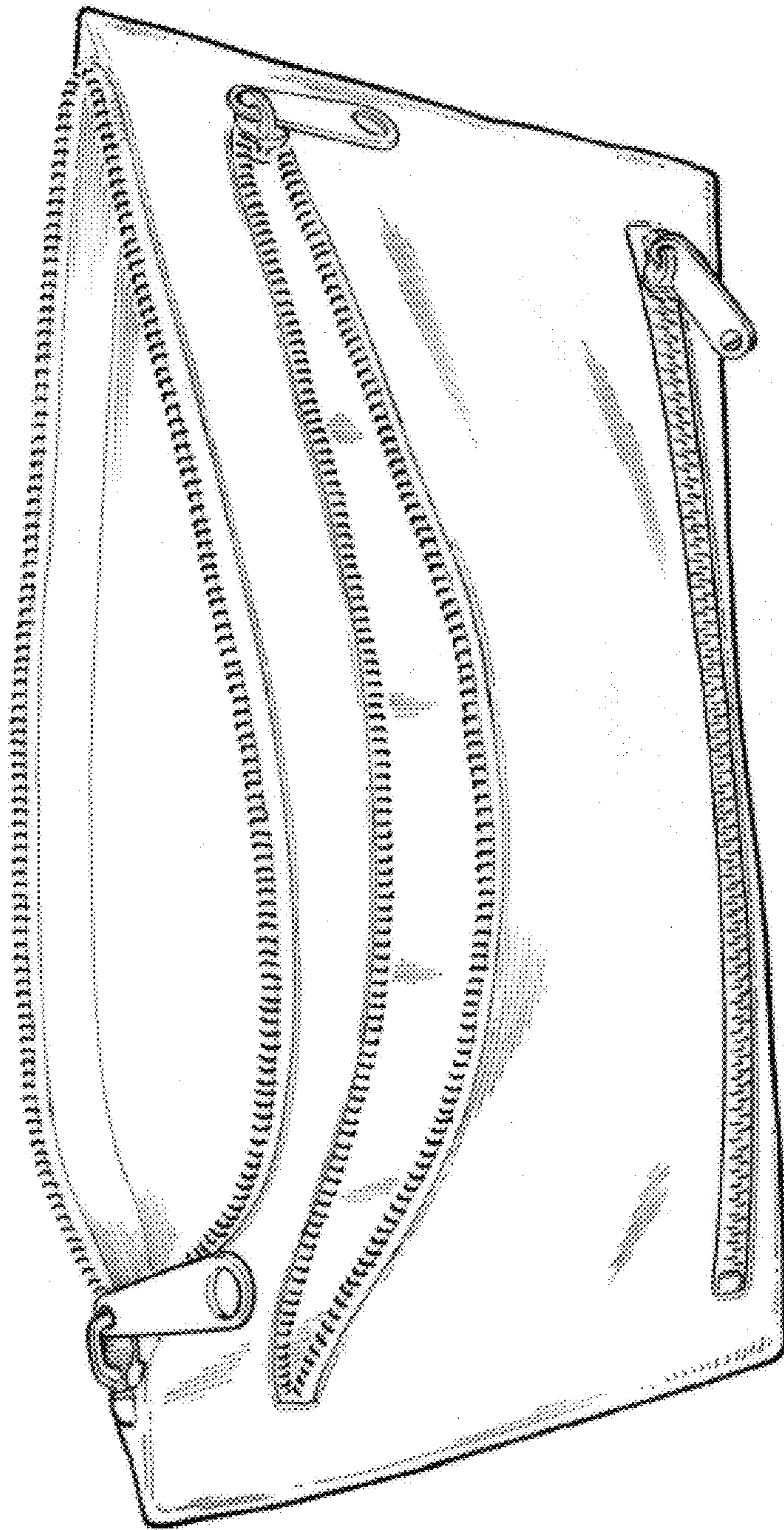


Fig. 6