



US00D629203S

(12) **United States Design Patent**
Sayre

(10) **Patent No.:** **US D629,203 S**

(45) **Date of Patent:** **** Dec. 21, 2010**

(54) **WALLET FOR DISPLAYING, STORING AND TRANSPORTING MILITARY INSIGNIA**

5,961,150 A * 10/1999 Kogutt et al. 281/37
D429,497 S * 8/2000 Wyant D19/26
D465,087 S * 11/2002 Shapiro D3/303
D471,704 S * 3/2003 Moore D3/247

(76) Inventor: **R. Scott Sayre**, 324 E. 32nd St., Buena Vista, VA (US) 24416

(Continued)

(**) Term: **14 Years**

Primary Examiner—Philip S Hyder
Assistant Examiner—Roselyne Cody
(74) *Attorney, Agent, or Firm*—Mark Clodfelter

(21) Appl. No.: **29/330,201**

(22) Filed: **Dec. 30, 2008**

(57) **CLAIM**

Related U.S. Application Data

The ornamental design for a wallet for displaying, storing and transporting military insignia, as shown and described.

(63) Continuation of application No. 11/511,820, filed on Aug. 29, 2006, now abandoned.

DESCRIPTION

(51) **LOC (9) Cl.** **03-01**
(52) **U.S. Cl.** **D3/299**
(58) **Field of Classification Search** D3/247,
D3/249, 250, 251, 253, 273, 299, 301; D19/26;
206/0.8, 0.82, 0.84, 6.1, 473
See application file for complete search history.

FIG. 1 is a perspective view of my new wallet shown opened. FIG. 2 is a top perspective view of the wallet shown folded once and closed, and illustrating a creased region bisecting the wallet where it may be folded again, for example, for placement in a pocket. A view of a bottom side is a mirror image thereof.

(56) **References Cited**

U.S. PATENT DOCUMENTS

FIG. 3 is a top planar view of the wallet in an open position showing positioning of hook-and-loop fastening strips.

2,383,108 A * 8/1945 Cibert 150/132
2,521,792 A * 9/1950 Hollander Irving L 206/0.83
3,134,484 A * 5/1964 Cox et al. 206/778
4,779,791 A * 10/1988 Wyant 281/44
D314,213 S * 1/1991 Bishop D3/203.1
D319,729 S * 9/1991 Kogutt D3/299
D322,628 S * 12/1991 Young D19/26
5,191,972 A * 3/1993 Helzer et al. 206/0.84
D359,507 S * 6/1995 Schmidt D19/26
5,445,251 A * 8/1995 Redwood 190/109
D372,359 S * 8/1996 Tytula D3/253
D374,037 S * 9/1996 Wyant et al. D19/26
D379,267 S * 5/1997 Roegner D3/285
D382,706 S * 8/1997 Sligh D3/232
5,762,375 A * 6/1998 Kogutt et al. 281/37
D414,800 S * 10/1999 Wyant D19/26

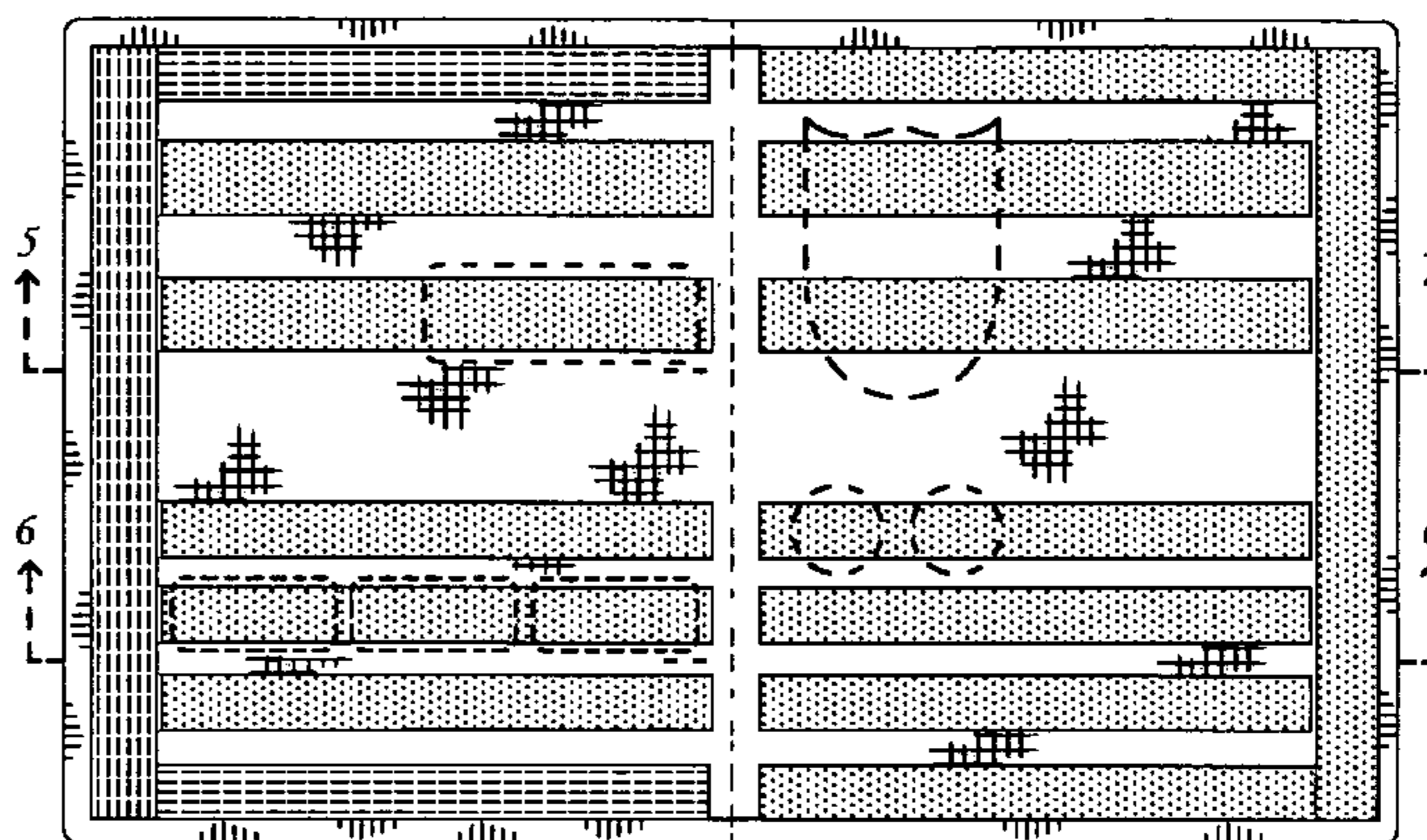
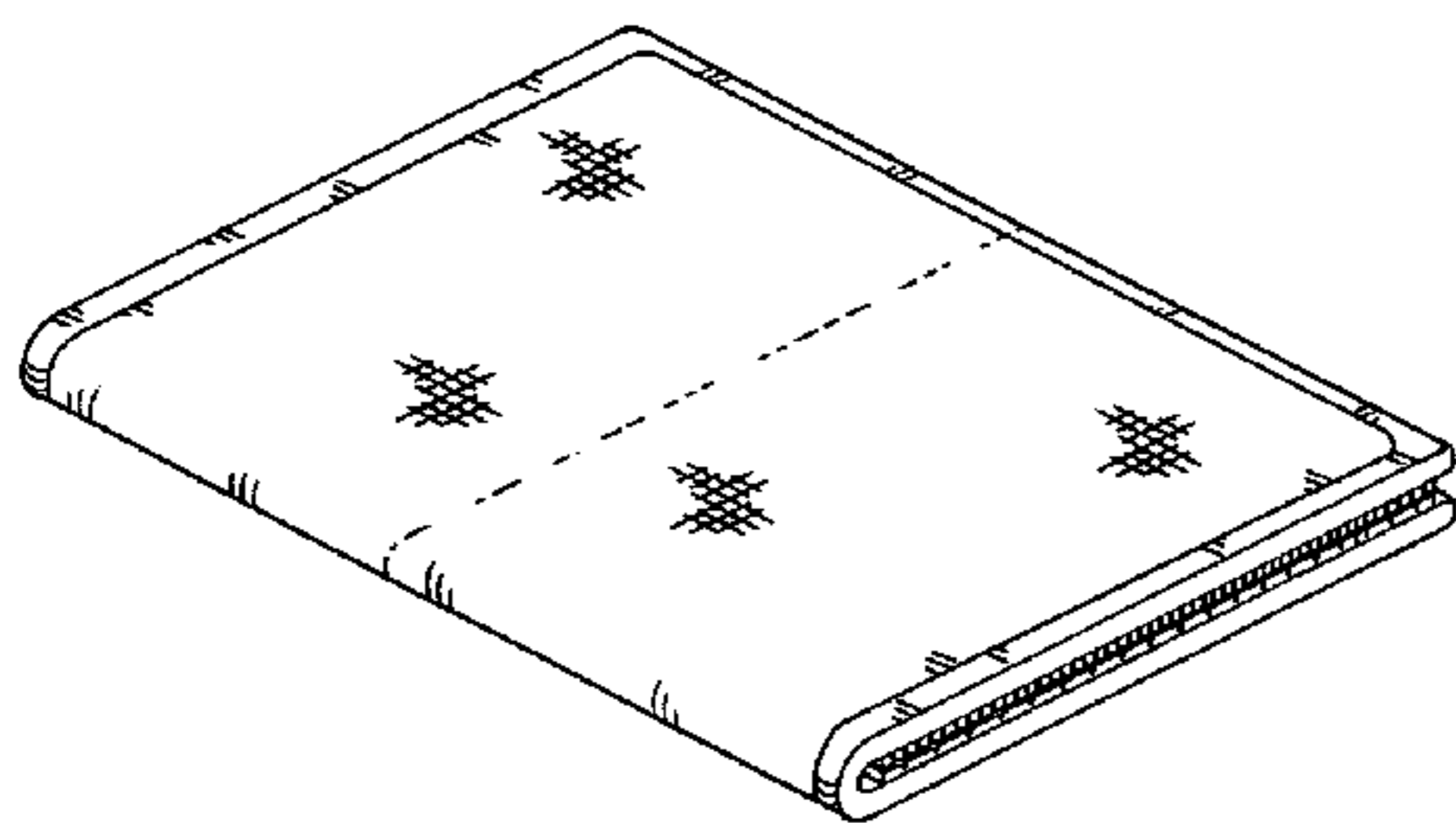
FIG. 4 is a top side elevation view of the wallet closed, the bottom side elevation view being a mirror image.

FIG. 5 is a cross-sectional view along line 5—5 of FIG. 3, showing an insignia backed with cooperating hook and loop fastener and held in place on a hook and loop fastener strip; and,

FIG. 6 is a cross-sectional view along line 6—6 of FIG. 3, showing an insignia pinned through a hook and loop fastening strip.

The dashed lines showing various military insignia are directed to environment and form no part of the claimed design.

1 Claim, 2 Drawing Sheets



US D629,203 S

Page 2

U.S. PATENT DOCUMENTS

| | | | | | | | |
|--------------|--------|-----------------------|--------|-------------------|---------|-----------------|---------|
| D475,526 S * | 6/2003 | Gillespie et al. | D3/247 | D543,359 S * | 5/2007 | Suppancig | D3/299 |
| D475,852 S * | 6/2003 | Peterson | D3/260 | 2007/0246389 A1 * | 10/2007 | Marcello | 206/472 |

* cited by examiner

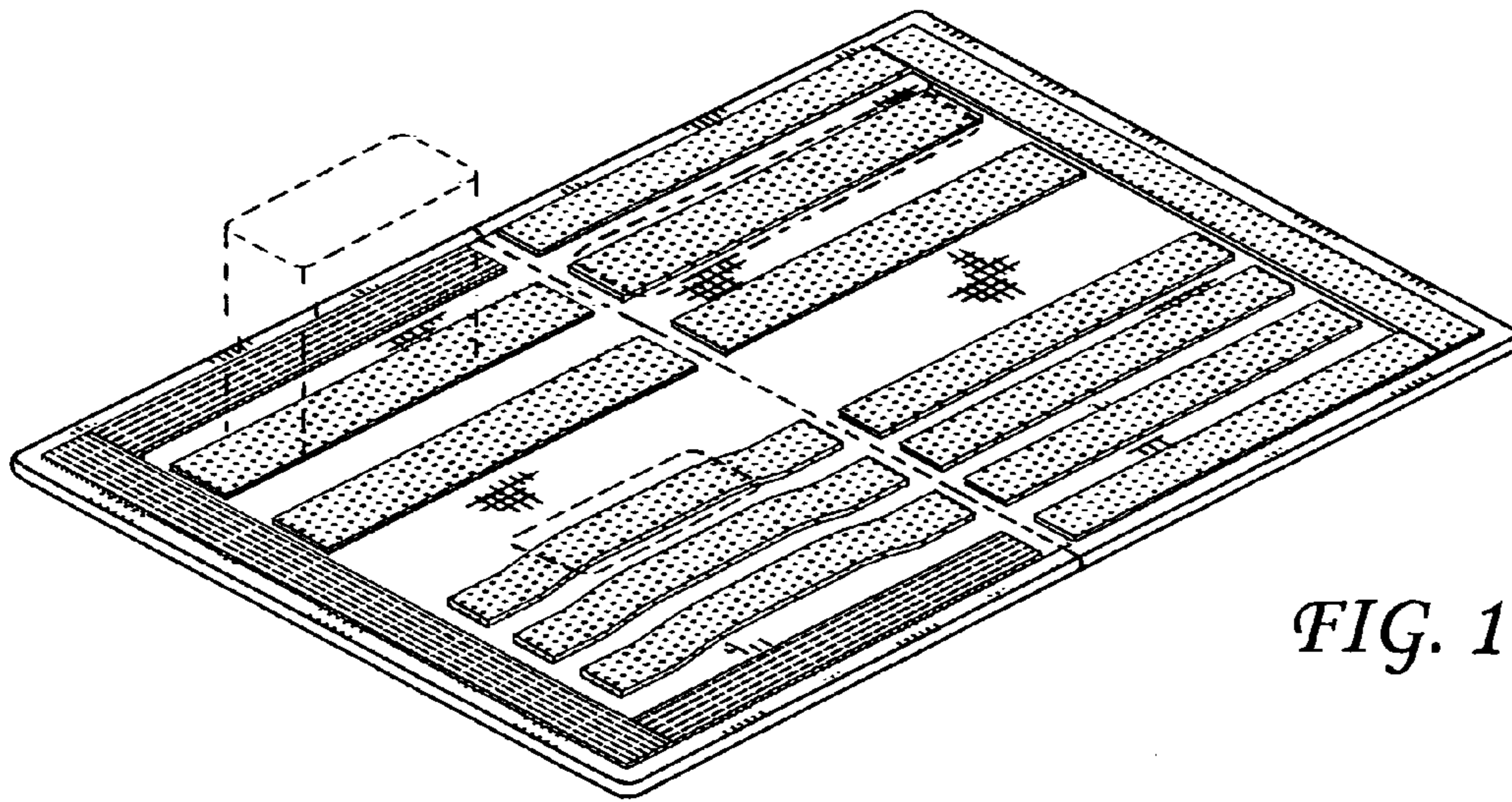


FIG. 1

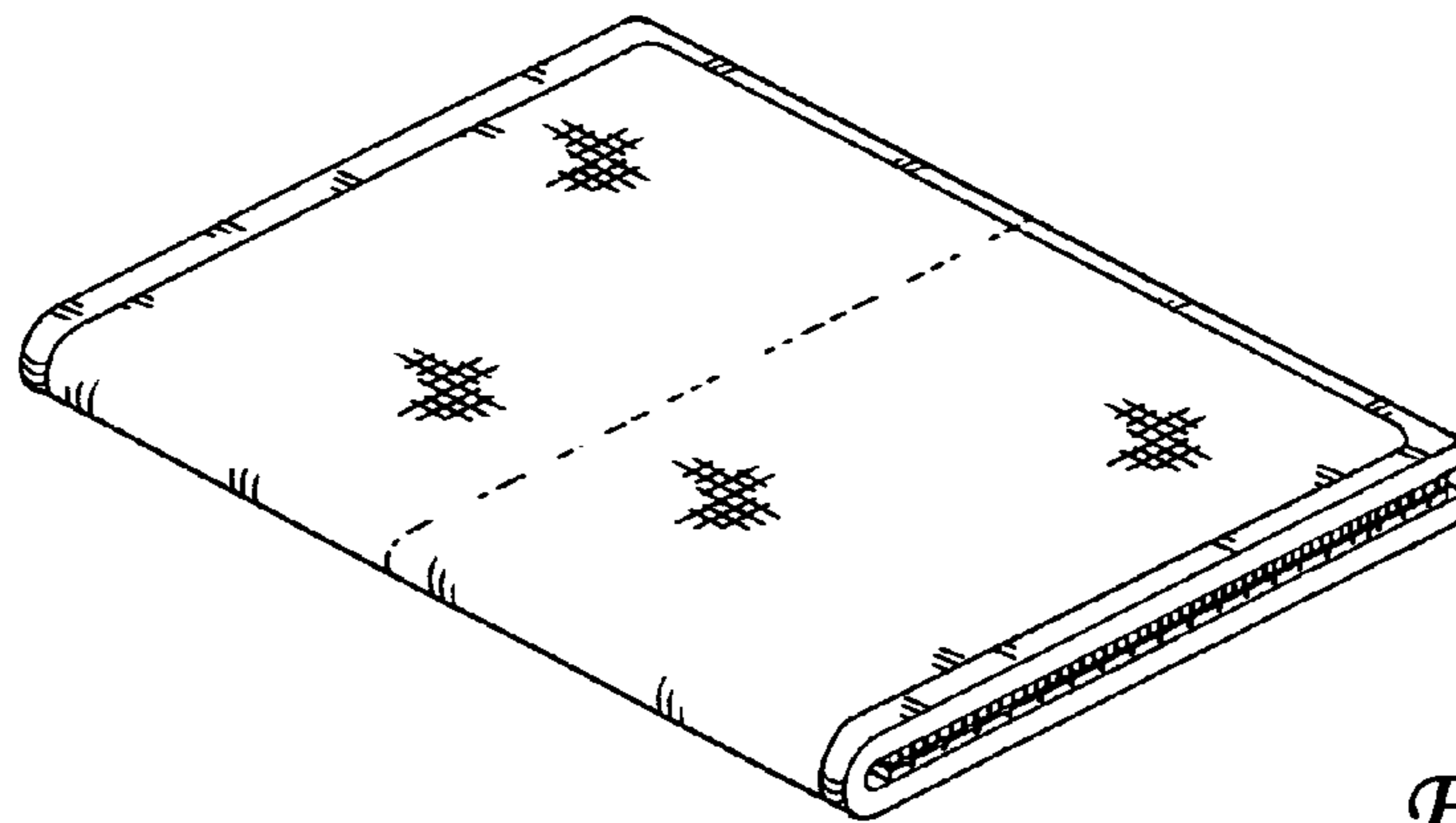


FIG. 2

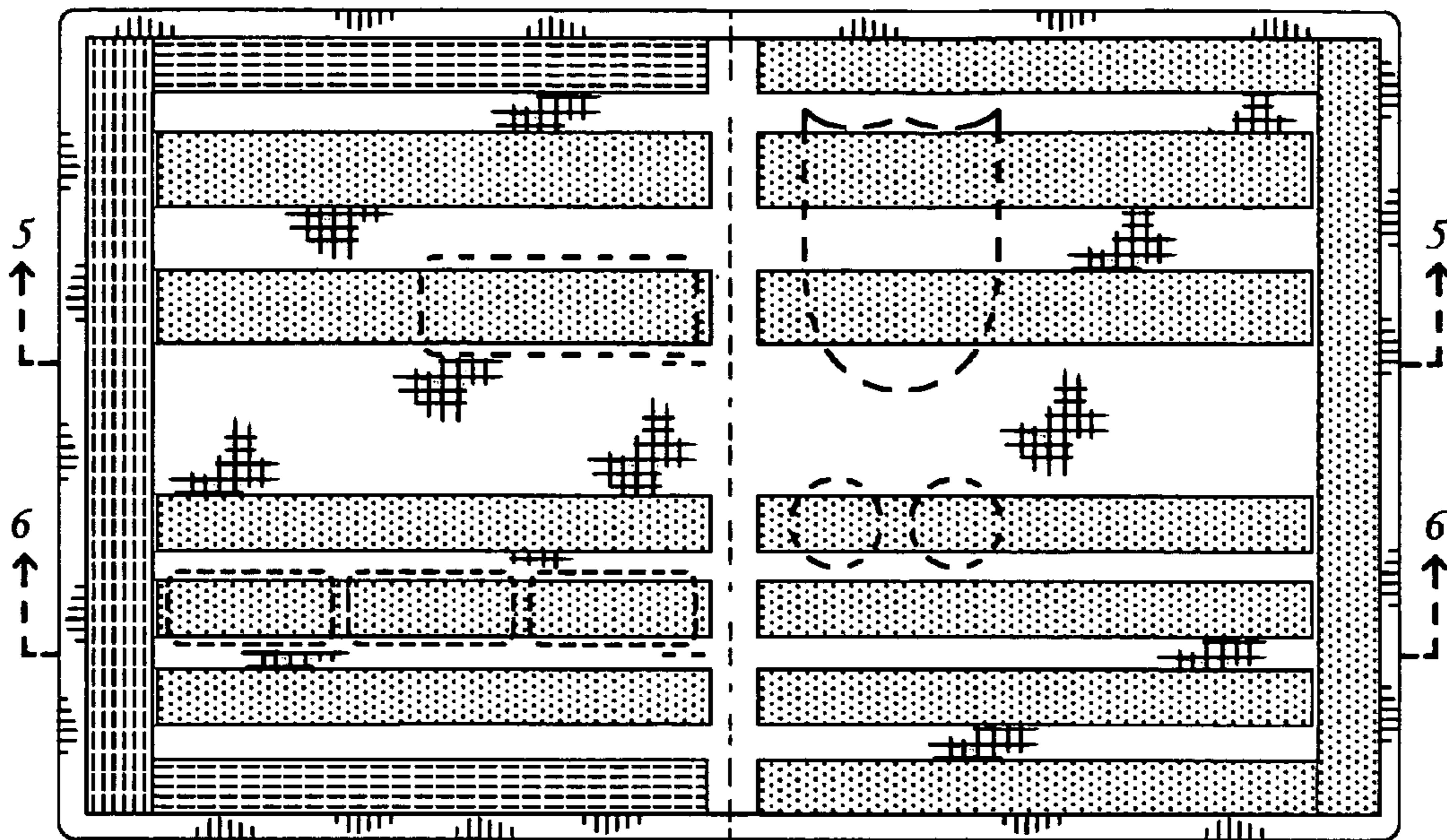


FIG. 3

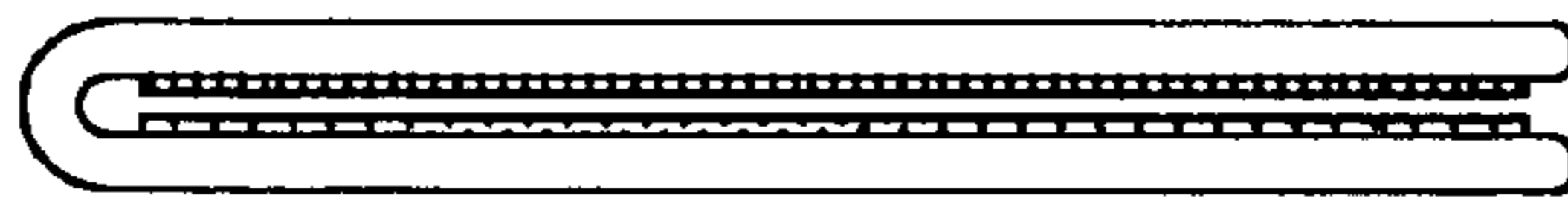


FIG. 4



FIG. 5

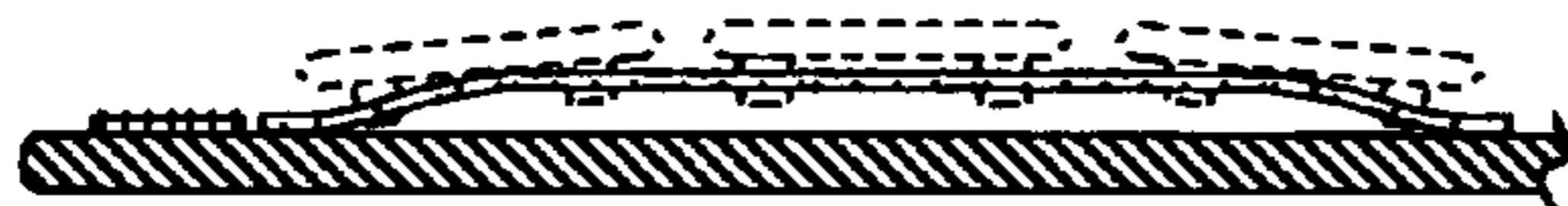


FIG. 6