



US00D629202S

(12) **United States Design Patent**
Wai

(10) **Patent No.:** **US D629,202 S**

(45) **Date of Patent:** **** Dec. 21, 2010**

(54) **CARRYING CASE FOR SOUND AMPLIFIER**

D620,257 S * 7/2010 Fujimura et al. D3/294

(76) Inventor: **Victor Kingsun Wai**, Sui-Lam N.T.,
Hong Kong, SAR (HK)

* cited by examiner

Primary Examiner—Catherine R Oliver

(74) *Attorney, Agent, or Firm*—Jelleit IP Law PS

(**) Term: **14 Years**

(21) Appl. No.: **29/358,831**

(57) **CLAIM**

(22) Filed: **Apr. 1, 2010**

The ornamental design for a carrying case for sound amplifier, as shown and described.

(51) **LOC (9) Cl.** **03-01**

(52) **U.S. Cl.** **D3/294; D3/201**

(58) **Field of Classification Search** D3/294,
D3/201, 261, 272–273, 295, 301–302, 901–905;
D6/407, 632, 634; D9/420, 423, 425–426,
D9/430, 432; 206/305, 320, 261, 576; D28/82
See application file for complete search history.

DESCRIPTION

FIG. 1 is a top perspective view of the embodiment of the present design;

FIG. 2 is a bottom perspective view of the embodiment of the present design;

FIG. 3 is a top plan view thereof;

FIG. 4 is a bottom plan view thereof;

FIG. 5 is a front elevation view thereof;

FIG. 6 is a rear elevation view thereof;

FIG. 7 is a first side elevation view thereof; and,

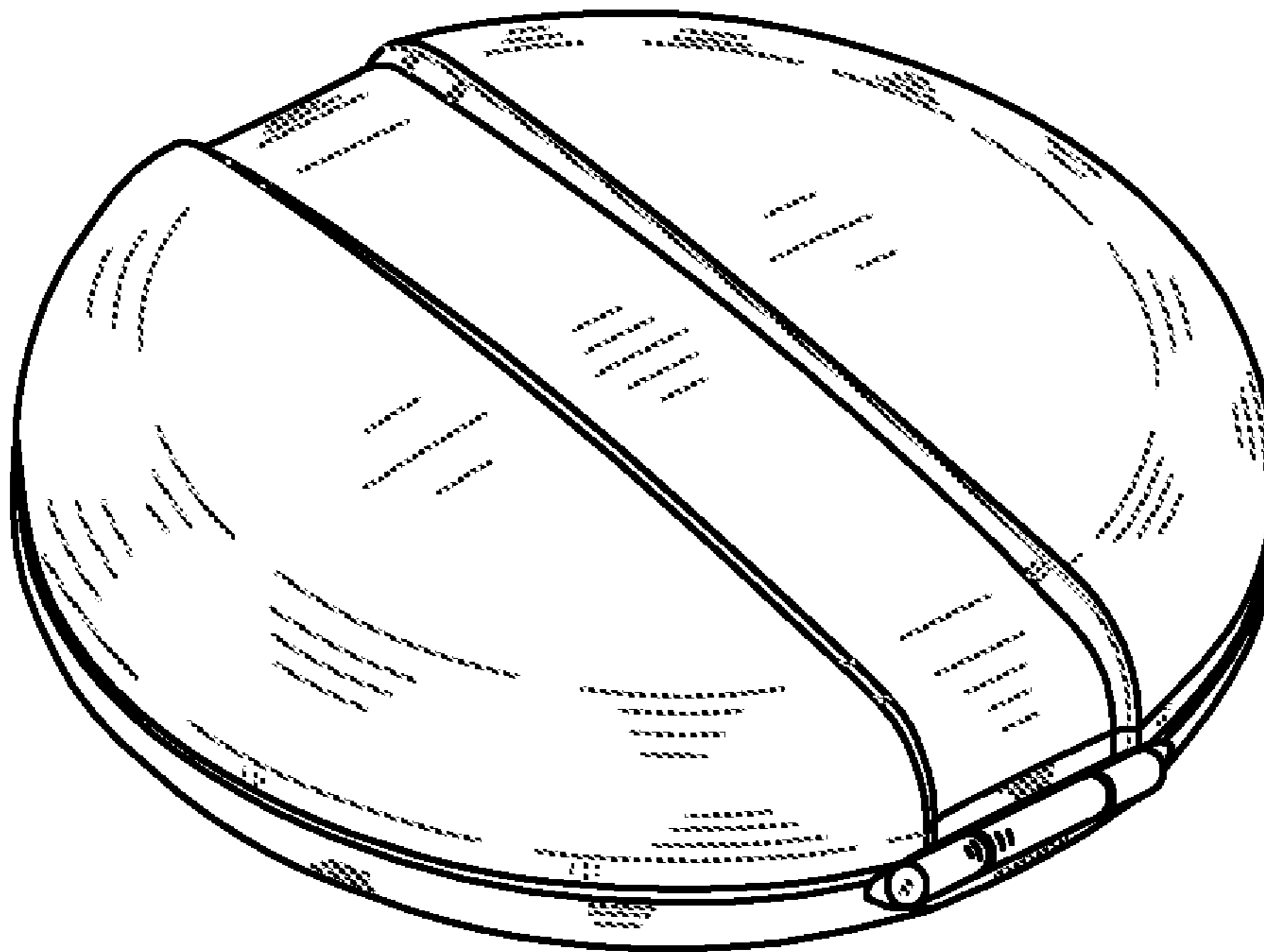
FIG. 8 is a second side elevation view thereof.

(56) **References Cited**

U.S. PATENT DOCUMENTS

D369,905 S *	5/1996	Hunt	D3/273
D469,295 S *	1/2003	Ten Brink et al.	D6/634
D533,387 S *	12/2006	Huang	D6/632
D540,038 S *	4/2007	Hussaini et al.	D3/294
D609,009 S *	2/2010	Schaal et al.	D3/294
D620,256 S *	7/2010	Fujimura et al.	D3/294

1 Claim, 4 Drawing Sheets



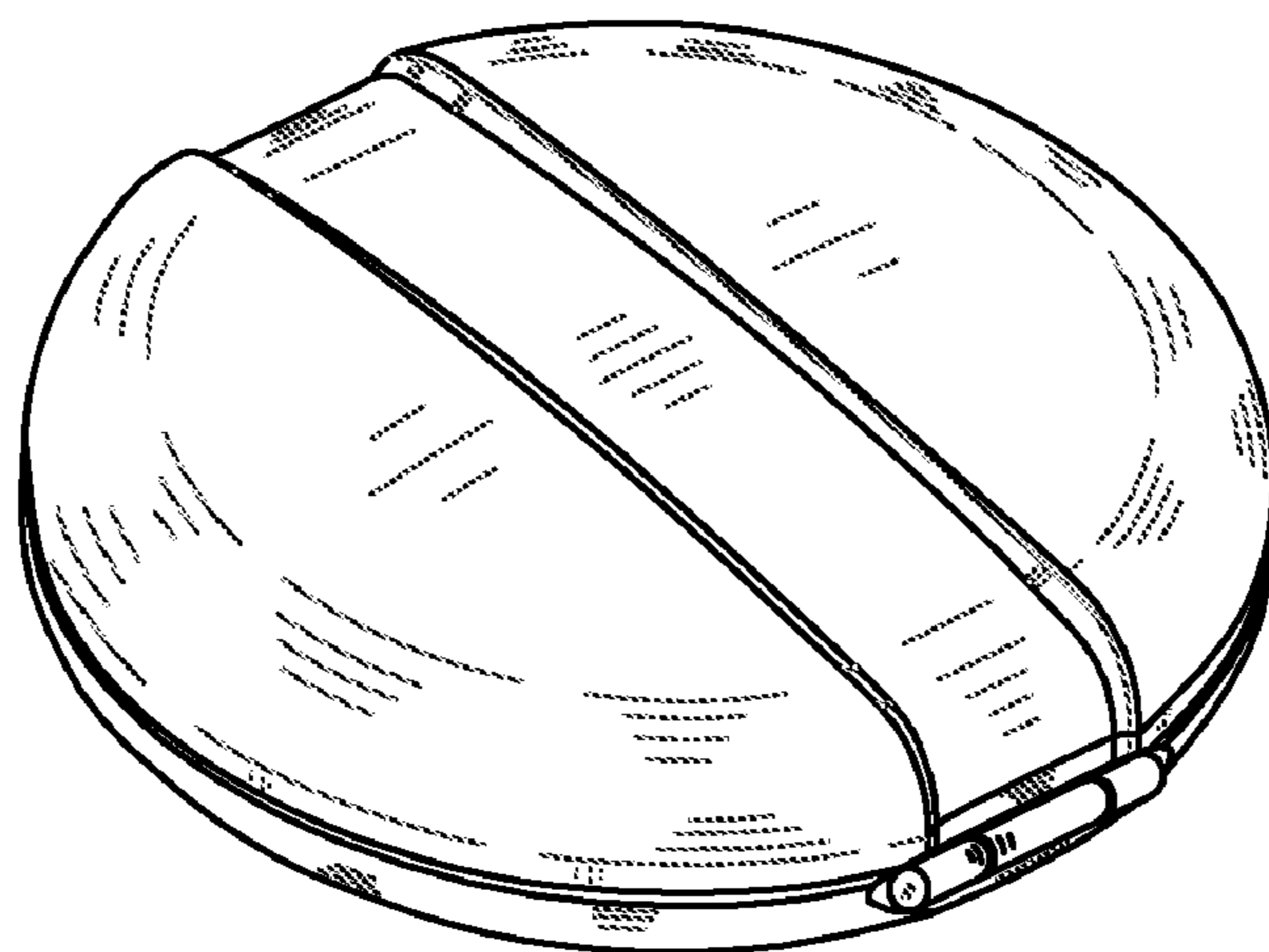


FIG. 1

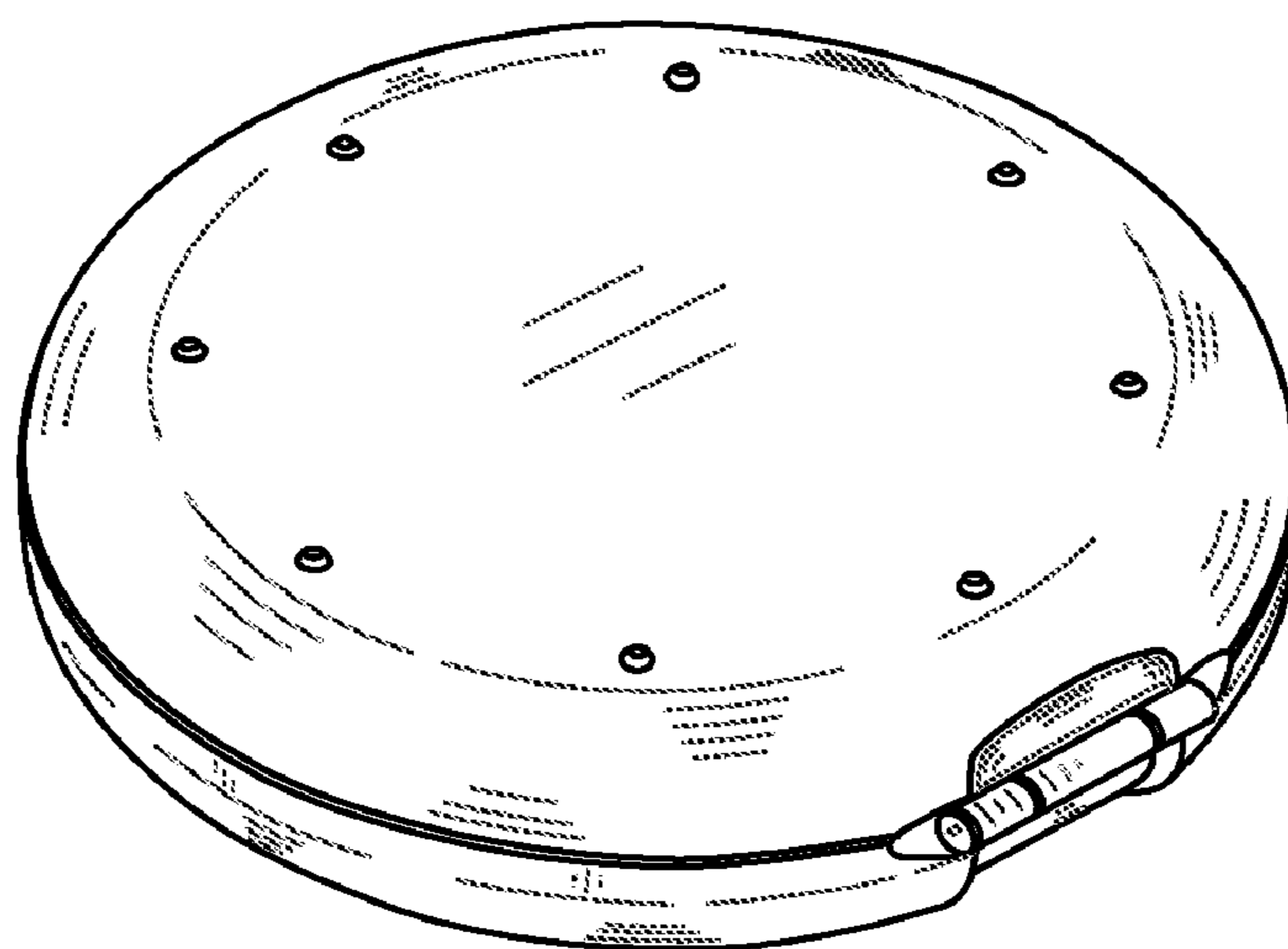


FIG. 2

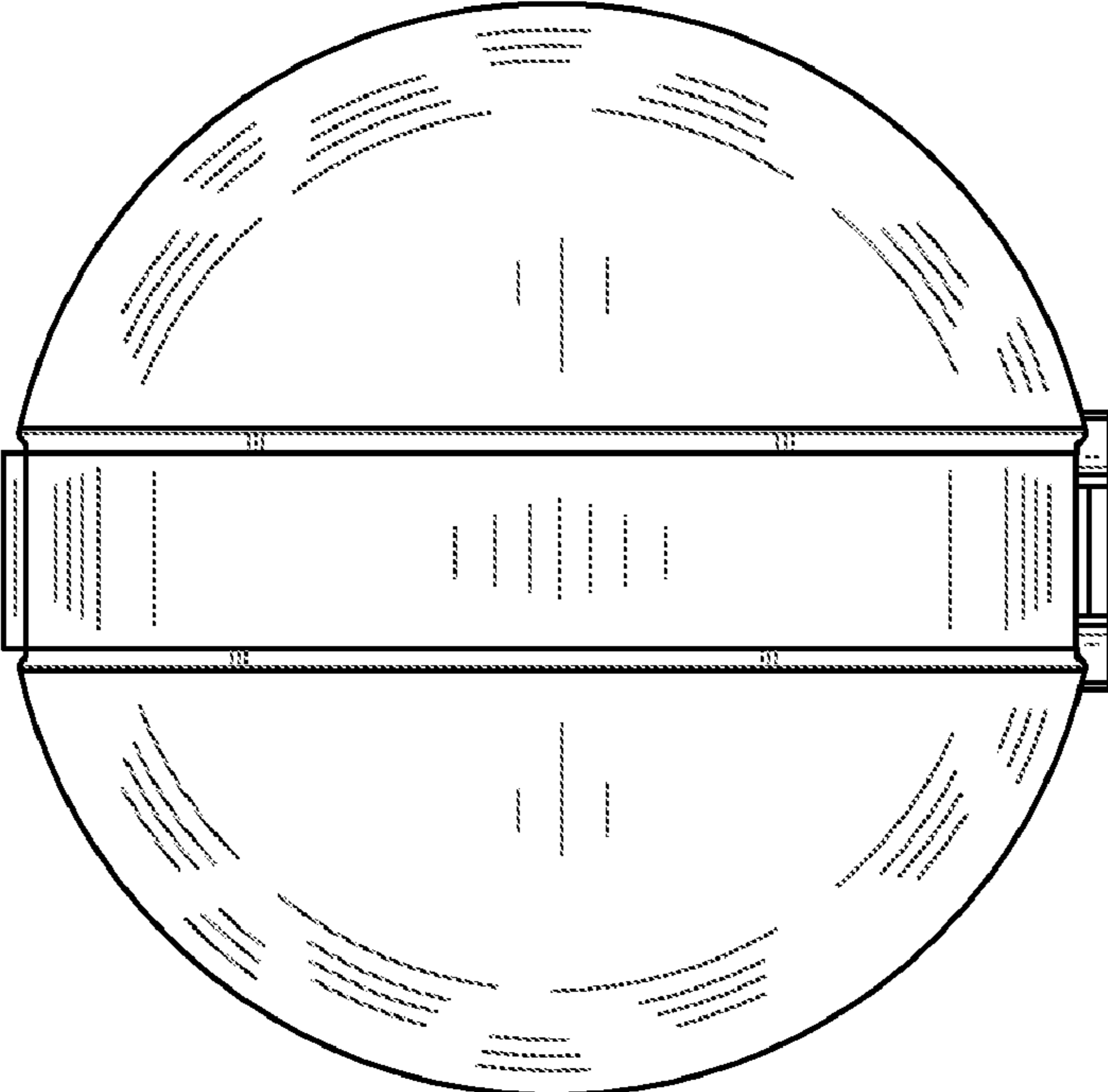


FIG. 3

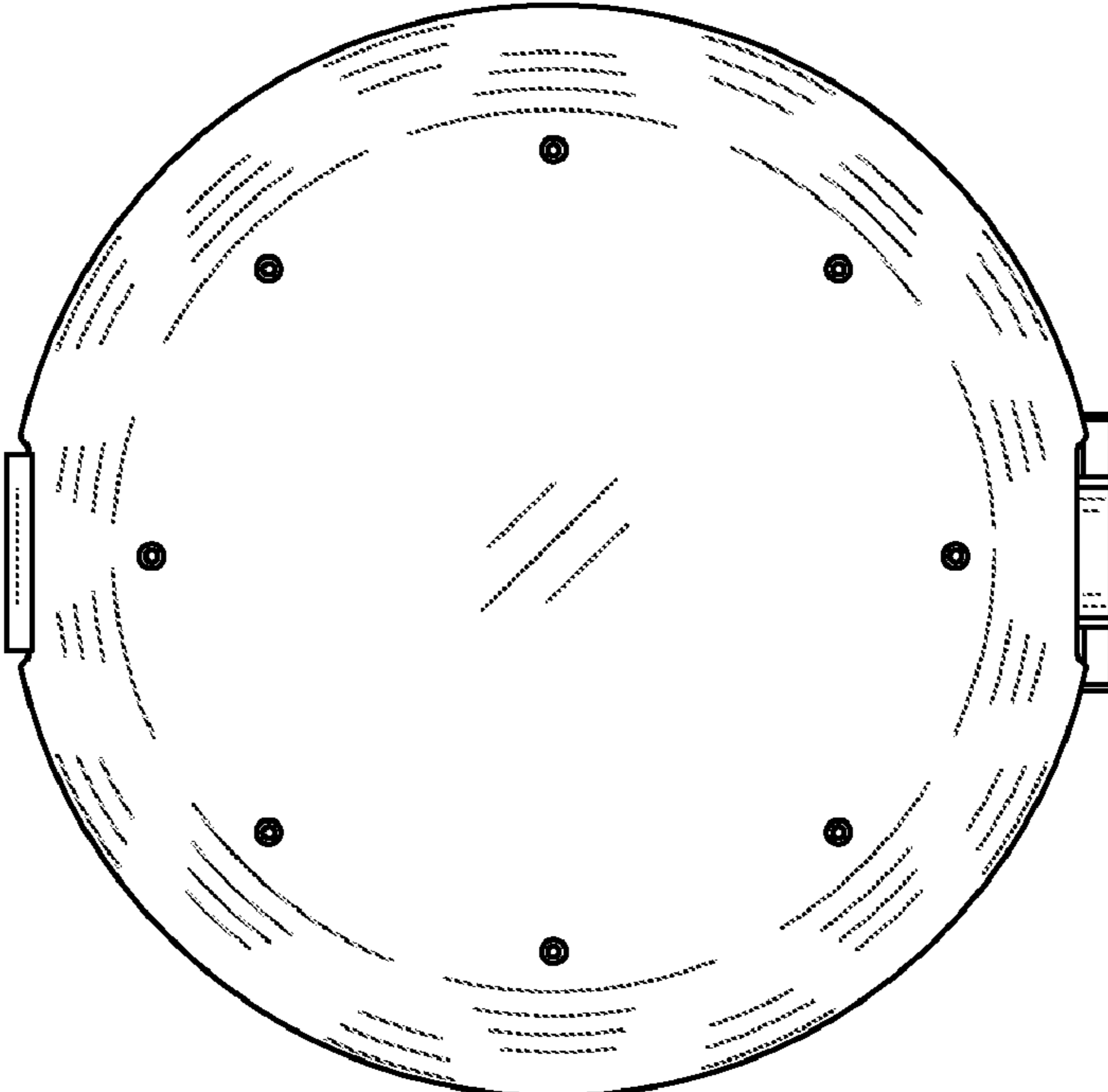


FIG. 4

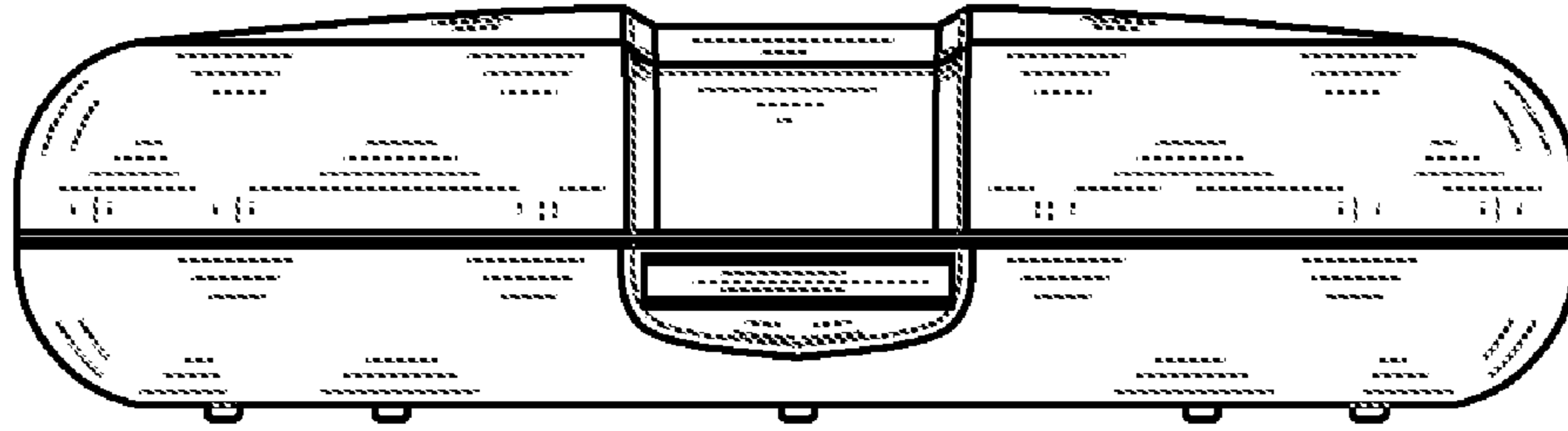


FIG. 5

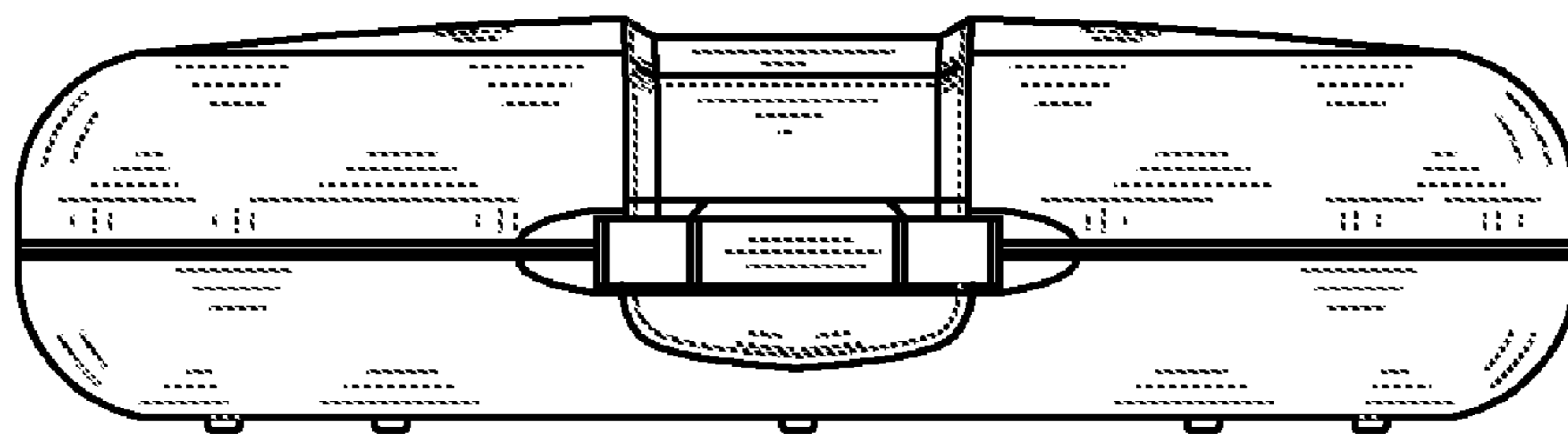


FIG. 6

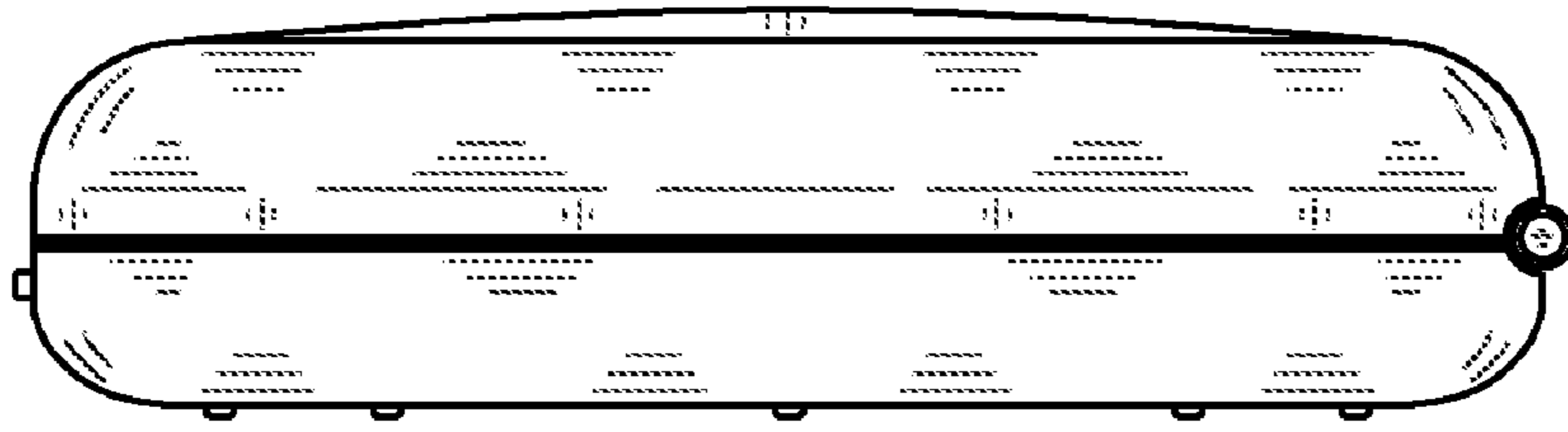


FIG. 7

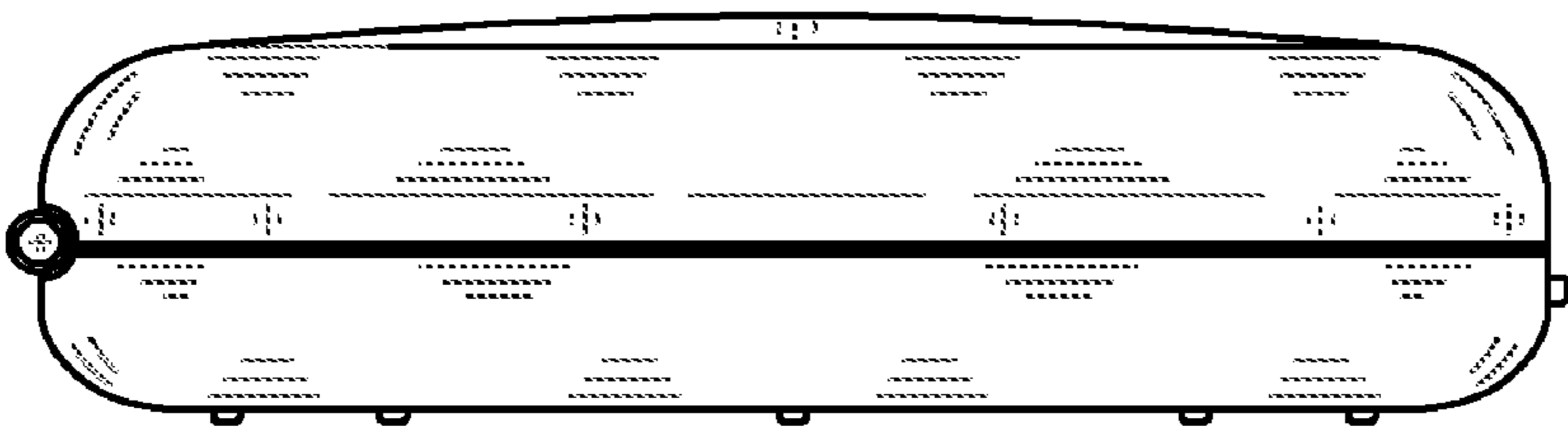


FIG. 8