

US00D629201S

(12) **United States Design Patent**
Demarco

(10) **Patent No.:** **US D629,201 S**

(45) **Date of Patent:** **** *Dec. 21, 2010**

(54) **CONTAINER**

(75) Inventor: **Jenny Demarco**, Plano, TX (US)

(73) Assignee: **Mary Kay Inc.**, Dallas, TX (US)

(*) Notice: This patent is subject to a terminal disclaimer.

(**) Term: **14 Years**

(21) Appl. No.: **29/354,799**

(22) Filed: **Jan. 28, 2010**

(51) **LOC (9) Cl.** **03-01**

(52) **U.S. Cl.** **D3/294; D28/83**

(58) **Field of Classification Search** D3/273,
D3/274, 276, 275, 901, 292, 294, 295; D9/414,
D9/420, 421, 422, 423; D28/76, 77, 78,
D28/81, 83; 132/293, 294, 295, 296, 297,
132/298, 299, 300, 301, 302, 303, 304, 305,
132/306, 307, 314, 315, 316, 317, 318; 190/110,
190/121; 206/235, 581, 823; 220/840, 841,
220/842, 843, 884

See application file for complete search history.

(56) **References Cited**

U.S. PATENT DOCUMENTS

D87,028 S *	5/1932	Shields	D28/78
2,013,197 A *	9/1935	Zipper	132/297
2,609,073 A *	9/1952	McLaughlin	190/11
D219,696 S *	1/1971	Cuccio	D3/282
D258,851 S *	4/1981	Boot	D3/269
D301,124 S	5/1989	Bakic	D28/83
D301,642 S	6/1989	Bakic	D28/83
D302,602 S	8/1989	Bakic	D28/78
D302,604 S	8/1989	Bakic	D28/83
D302,745 S	8/1989	Bakic	D28/83
D302,872 S	8/1989	Bakic	D28/78
D303,163 S	8/1989	Bakic	D28/78
4,863,034 A	9/1989	Contreras, Sr.	206/581
D304,098 S	10/1989	Desgrippes	D28/78
D305,164 S	12/1989	Hall	D28/83
D305,947 S	2/1990	Chevassus	D28/78

D306,182 S *	2/1990	Ukisu	D3/271.1
4,917,131 A	4/1990	Contreras, Sr.	132/301
4,930,528 A	6/1990	Hatakeyama	132/301
D309,043 S	7/1990	Bakic	D28/78
D309,358 S	7/1990	Machelett et al.	D28/78
D309,511 S	7/1990	Bertlin et al.	D28/78
4,972,860 A	11/1990	Yuhara et al.	132/301
D313,288 S	12/1990	Bakic	D28/77
D314,066 S	1/1991	Bakic	D28/82
4,982,751 A	1/1991	Oishi et al.	132/299
4,989,622 A	2/1991	Kozuka et al.	132/301
D318,144 S	7/1991	Scarpa et al.	D28/78
D319,897 S	9/1991	Bakic	D28/82
D322,692 S	12/1991	Trabattoni	D28/83
5,078,159 A	1/1992	Yuhara	132/295
D324,587 S	3/1992	Di Nuccio	D28/78
5,107,871 A	4/1992	Butcher et al.	132/304
5,135,012 A	8/1992	Kamen et al.	132/294

(Continued)

Primary Examiner—Elizabeth A Albert

Assistant Examiner—Karen E Eldridge Powers

(74) *Attorney, Agent, or Firm*—Fulbright & Jaworski L.L.P.

(57) **CLAIM**

The ornamental design for a container, as shown and described.

DESCRIPTION

FIG. 1 is a top front perspective view of a container shown in a closed position;

FIG. 2 is a bottom front perspective view thereof;

FIG. 3 is a front view thereof;

FIG. 4 is a back view thereof;

FIG. 5 is a left side view thereof;

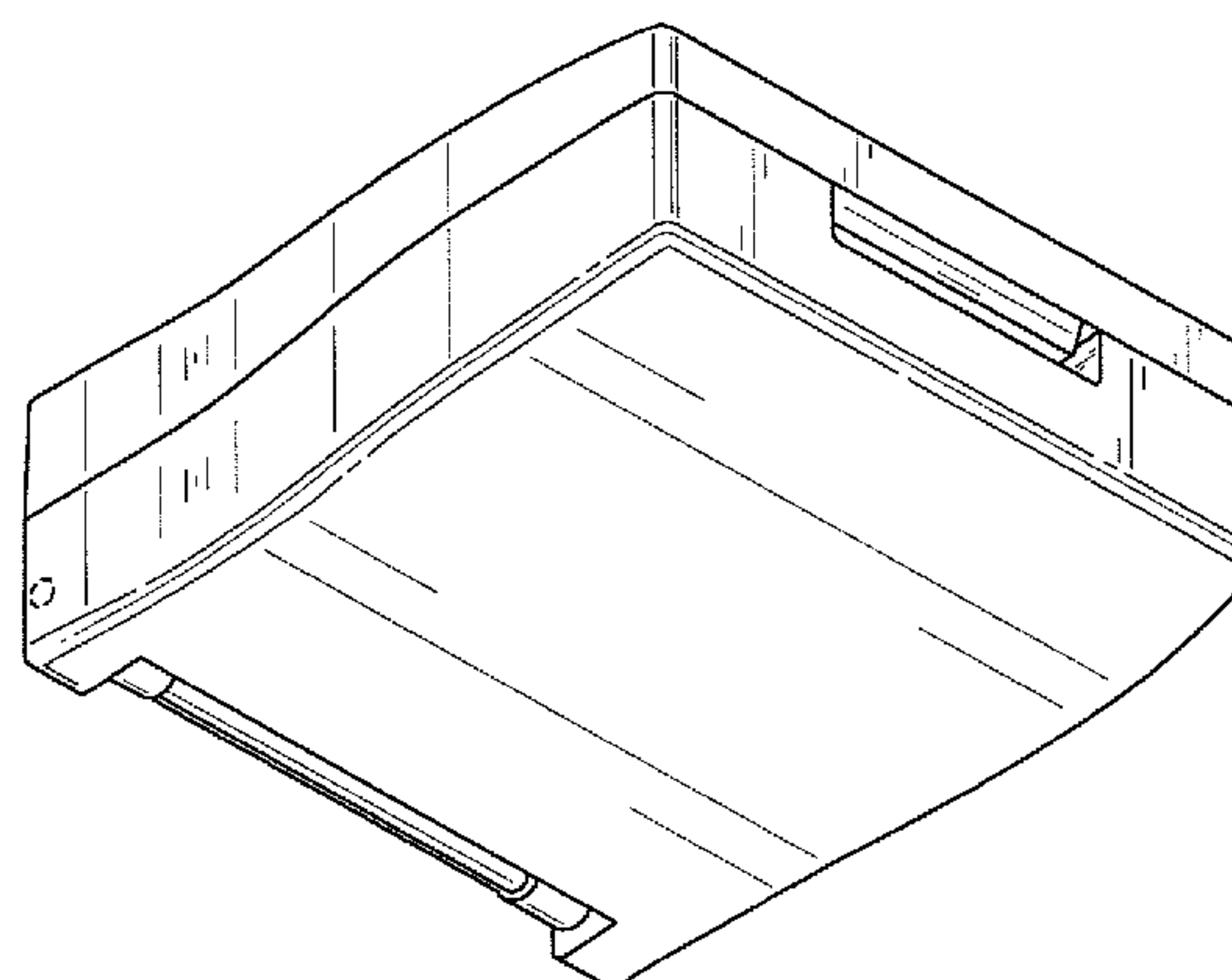
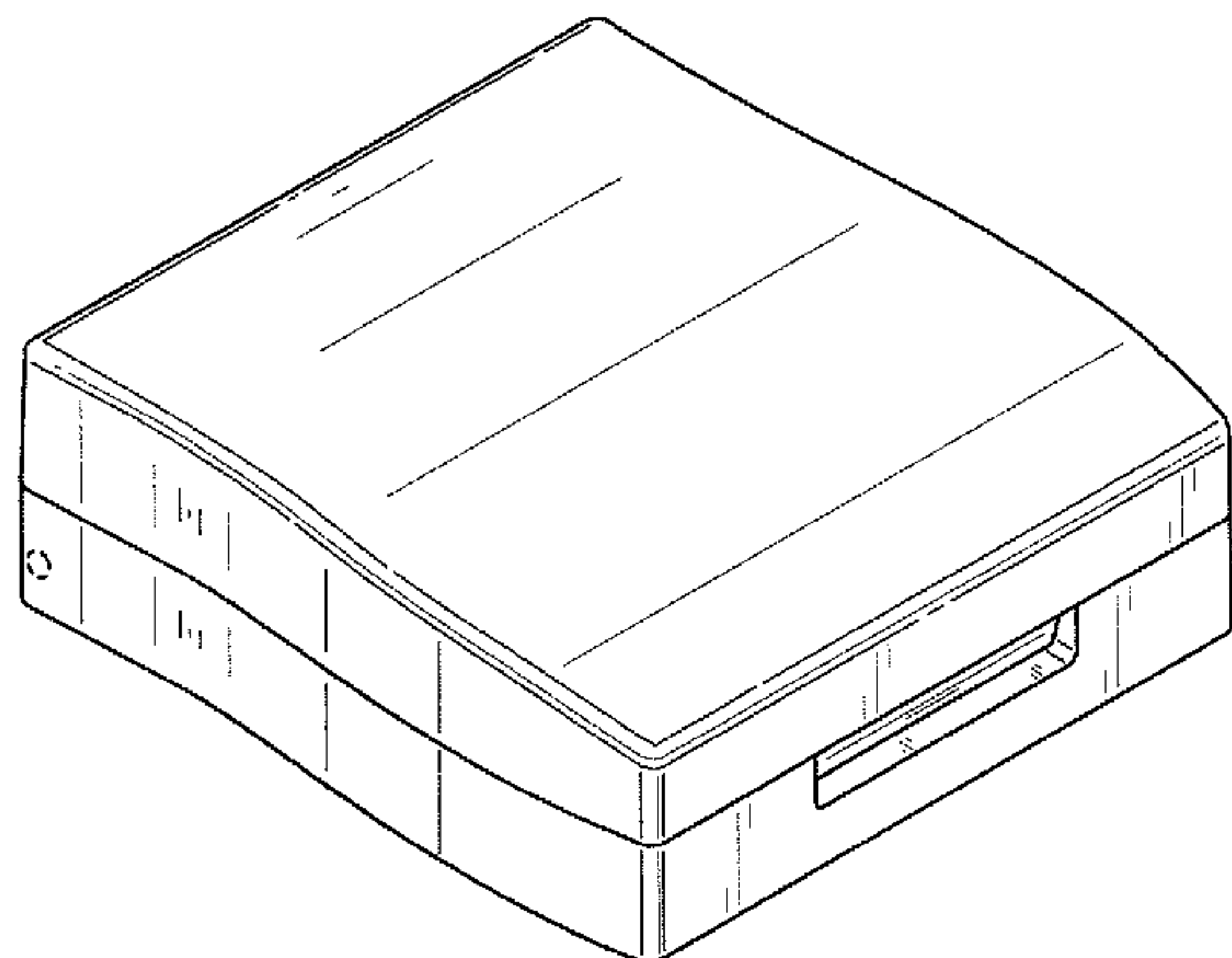
FIG. 6 is a right side view thereof;

FIG. 7 is a top view thereof; and,

FIG. 8 is a bottom view thereof.

The dashed lines in FIGS. 1, 2, 5, and 6 are environmental structure forming no part of the claimed designs.

1 Claim, 5 Drawing Sheets



US D629,201 S

Page 2

U.S. PATENT DOCUMENTS

D331,148 S *	11/1992	Curry	D3/284	D503,831 S	4/2005	Ames	D28/78
D338,086 S	8/1993	Roberts	D28/78	D504,743 S	5/2005	Kostow	D28/78
D338,279 S	8/1993	Davis	D28/83	6,901,937 B2	6/2005	Sebban	132/301
D342,346 S	12/1993	Fiocco	D28/78	D513,978 S *	1/2006	Isono et al.	D9/424
D343,925 S	2/1994	Garouste et al.	D28/78	D517,244 S	3/2006	Ditrichstein et al.	D28/78
5,320,116 A	6/1994	Ackermann	132/293	D517,245 S *	3/2006	Ditrichstein et al.	D28/83
5,323,794 A	6/1994	Favre	132/294	D518,603 S	4/2006	Dittmer et al.	D28/83
D351,682 S	10/1994	McIlvain	D28/78	D523,177 S	6/2006	Ashiwa et al.	D28/82
D351,727 S *	10/1994	Tarozzi	D3/276	D530,861 S	10/2006	Kuo	D28/83
D355,730 S	2/1995	Chen	D28/78	D542,475 S	5/2007	Martinez	D28/83
D359,819 S	6/1995	McIlvain et al.	D28/78	D553,799 S *	10/2007	Williams et al.	D28/83
5,431,176 A	7/1995	Favre	132/295	D554,292 S	10/2007	Thorpe	D28/82
5,431,177 A	7/1995	Kecman	132/303	7,275,642 B2	10/2007	Yuhara	206/581
D364,709 S	11/1995	Gavin	D28/78	D555,288 S *	11/2007	Hirst et al.	D28/83
5,605,167 A	2/1997	Montoli	132/294	D561,944 S	2/2008	Ashiwa et al.	D28/83
5,769,234 A	6/1998	Gueret	206/581	D564,133 S	3/2008	Boyé et al.	D28/83
D404,532 S	1/1999	Castagna	D28/77	7,464,820 B2	12/2008	Oh	206/581
D407,855 S	4/1999	Orsomando	D28/83	7,469,787 B2	12/2008	Yuhara	206/581
D412,602 S	8/1999	Bakic	D28/83	D600,857 S *	9/2009	Maddy et al.	D28/83
D422,120 S *	3/2000	Orsomando	D28/83	D601,757 S *	10/2009	Sagel	D28/83
D429,850 S *	8/2000	Wilson et al.	D28/78	D611,657 S *	3/2010	Maddy et al.	D28/83
6,199,559 B1	3/2001	Nikolaus et al.	132/294	2002/0162566 A1	11/2002	Jang	132/294
6,223,754 B1	5/2001	Burdi et al.	132/300	2002/0162567 A1	11/2002	Jang	132/294
6,283,129 B1	9/2001	Yuhara et al.	132/295	2004/0003825 A1	1/2004	Kelly	132/301
D449,160 S *	10/2001	Murphy	D3/271.1	2004/0129599 A1	7/2004	Yi-Hung	206/581
D452,939 S	1/2002	Lai	D28/77	2004/0200755 A1	10/2004	Gueret	206/581
D453,859 S	2/2002	Spearman	D28/77	2004/0244812 A1	12/2004	Seidler et al.	132/301
D455,235 S	4/2002	Braaten et al.	D28/78	2005/0023183 A1	2/2005	Banik et al.	220/837
D457,687 S	5/2002	Millar	D28/83	2005/0178694 A1	8/2005	Mecca et al.	220/835
D462,809 S	9/2002	LaSpina et al.	D28/78	2006/0015355 A1	1/2006	Wolkoff et al.	705/14
D463,884 S	10/2002	Fang	D28/82	2006/0226164 A1	10/2006	Graham	206/69
D465,035 S	10/2002	McFarland	D25/122	2007/0017848 A1	1/2007	Sasaki	206/581
6,536,447 B1	3/2003	Fioravanti et al.	132/299	2007/0080094 A1	4/2007	Moon	220/817
D473,680 S	4/2003	Saunders et al.	D28/78	2007/0108093 A1	5/2007	Park et al.	200/288
D478,396 S	8/2003	Bakic	D28/78	2007/0121315 A1	5/2007	Lan	362/135
D478,397 S	8/2003	Bakic	D28/83	2008/0000493 A1	1/2008	Anderson et al.	132/295
D478,689 S	8/2003	Thorpe	D28/83	2008/0023023 A1	1/2008	Boye et al.	132/294
D479,016 S	8/2003	Sgariboldi	D28/78	2008/0060672 A1 *	3/2008	Williams	132/294
D484,696 S *	1/2004	Au	D3/294	2008/0099038 A1	5/2008	Washington	132/300
6,712,076 B2	3/2004	Alexander et al.	132/293	2008/0289645 A1	11/2008	Guillot	132/200
6,769,438 B2	8/2004	Fraillon	132/304	2009/0032052 A1 *	2/2009	Lee	132/296
D496,133 S	9/2004	Dittmer et al.	D28/83	2009/0071867 A1	3/2009	Au	312/283
D496,759 S	9/2004	Rodriguez	D28/82	2009/0078279 A1	3/2009	Boye et al.	132/294
D503,245 S	3/2005	Vanoncini	D28/78	2009/0293902 A1 *	12/2009	Ramos	132/287
D503,616 S *	4/2005	Ghini et al.	D9/430				

* cited by examiner

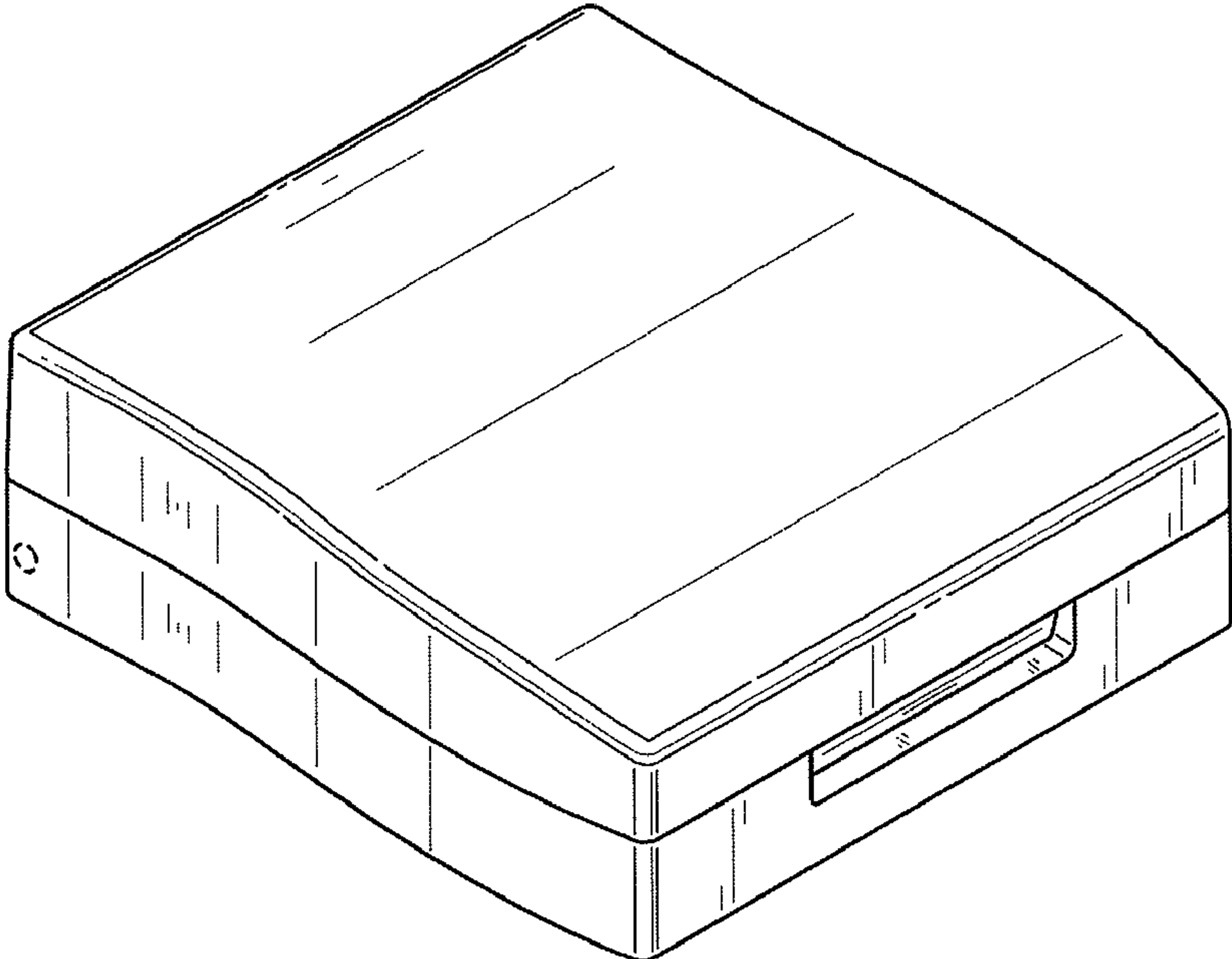


FIG. 1

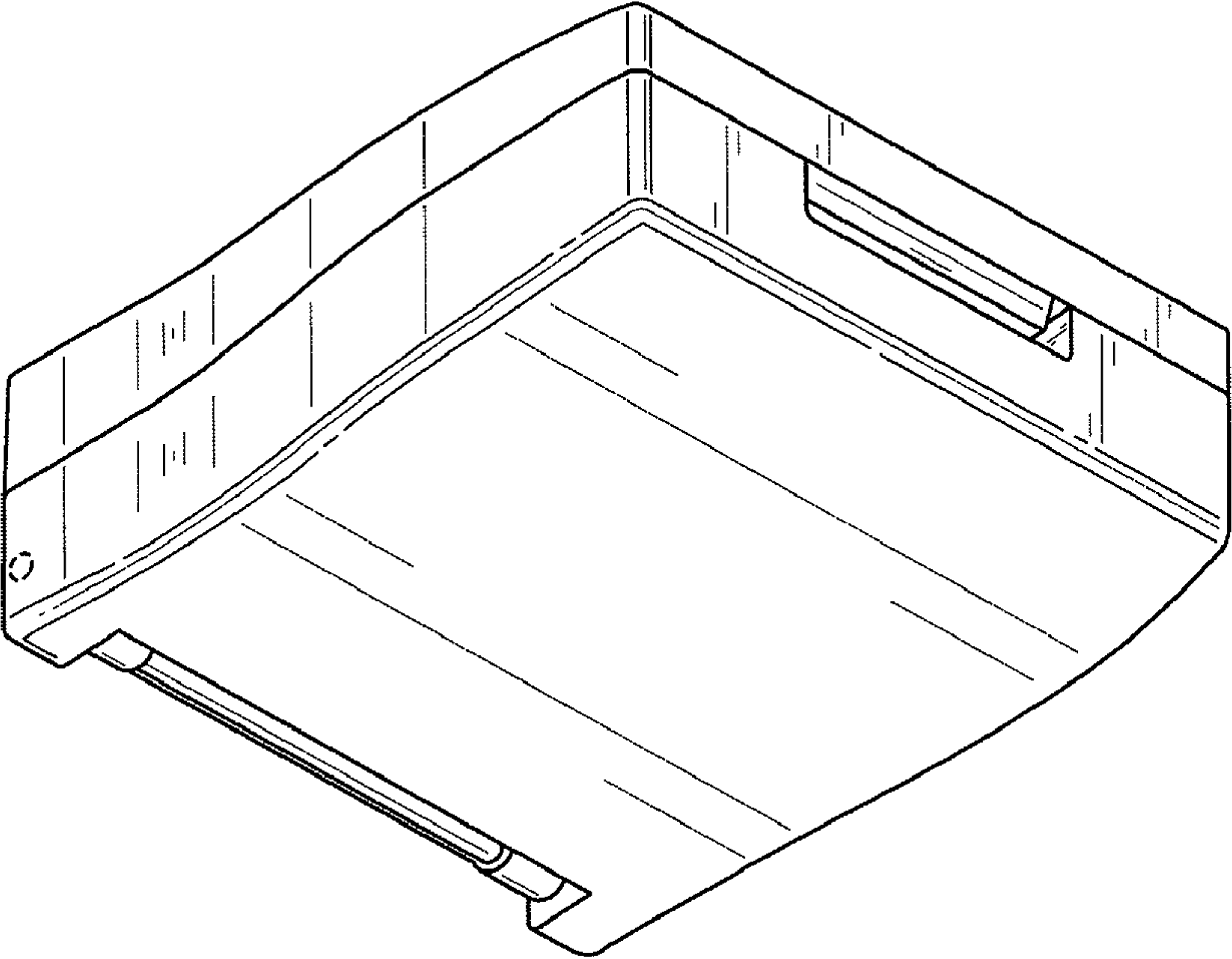


FIG. 2

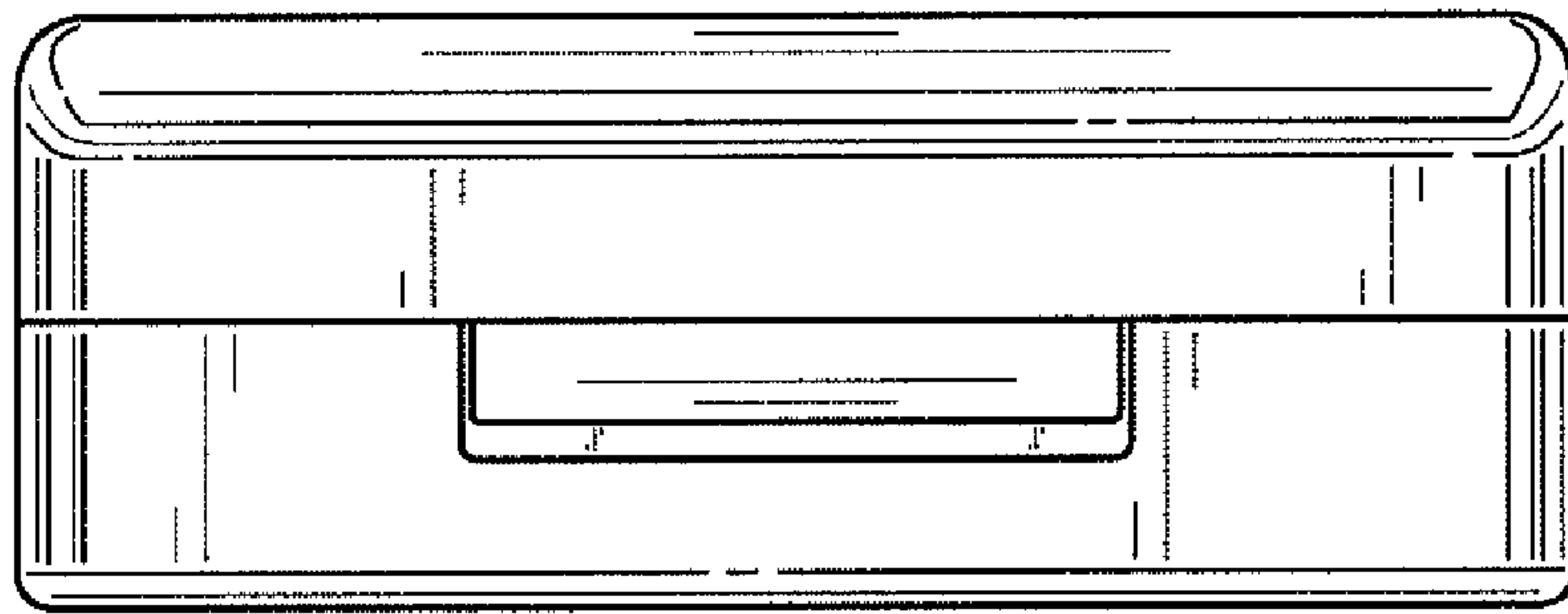


FIG. 3

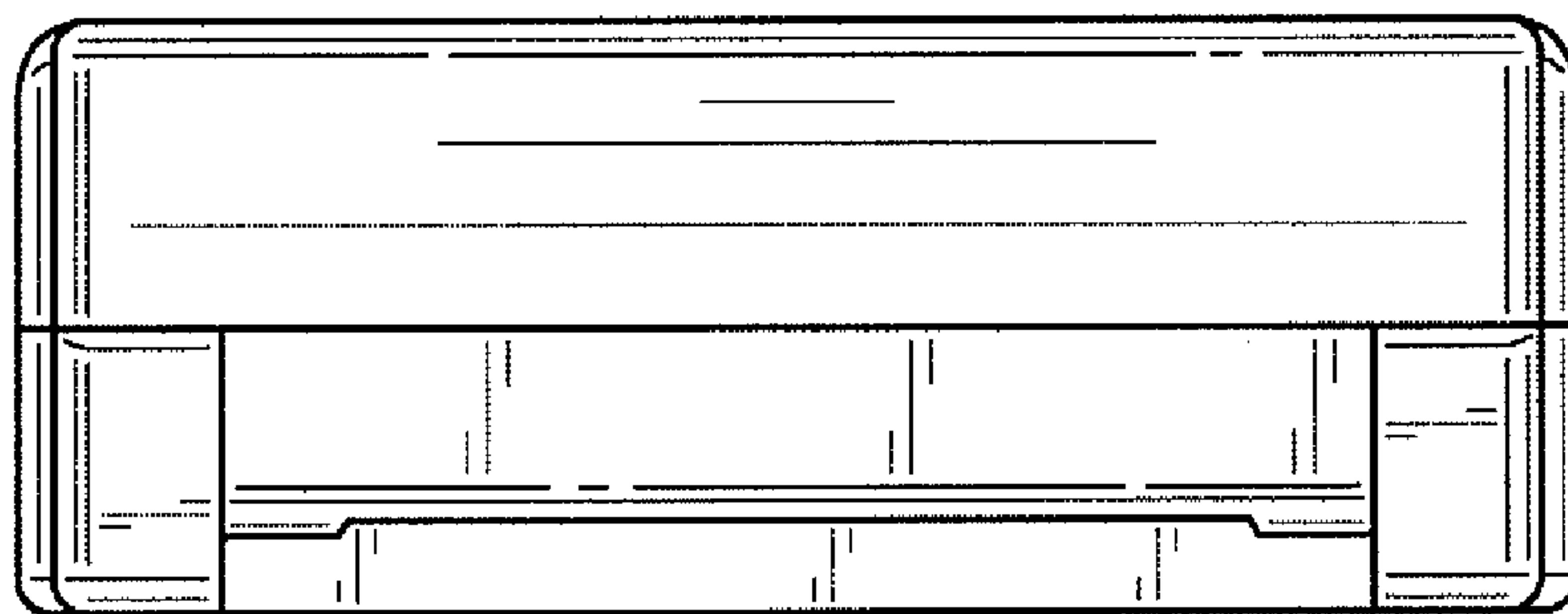


FIG. 4

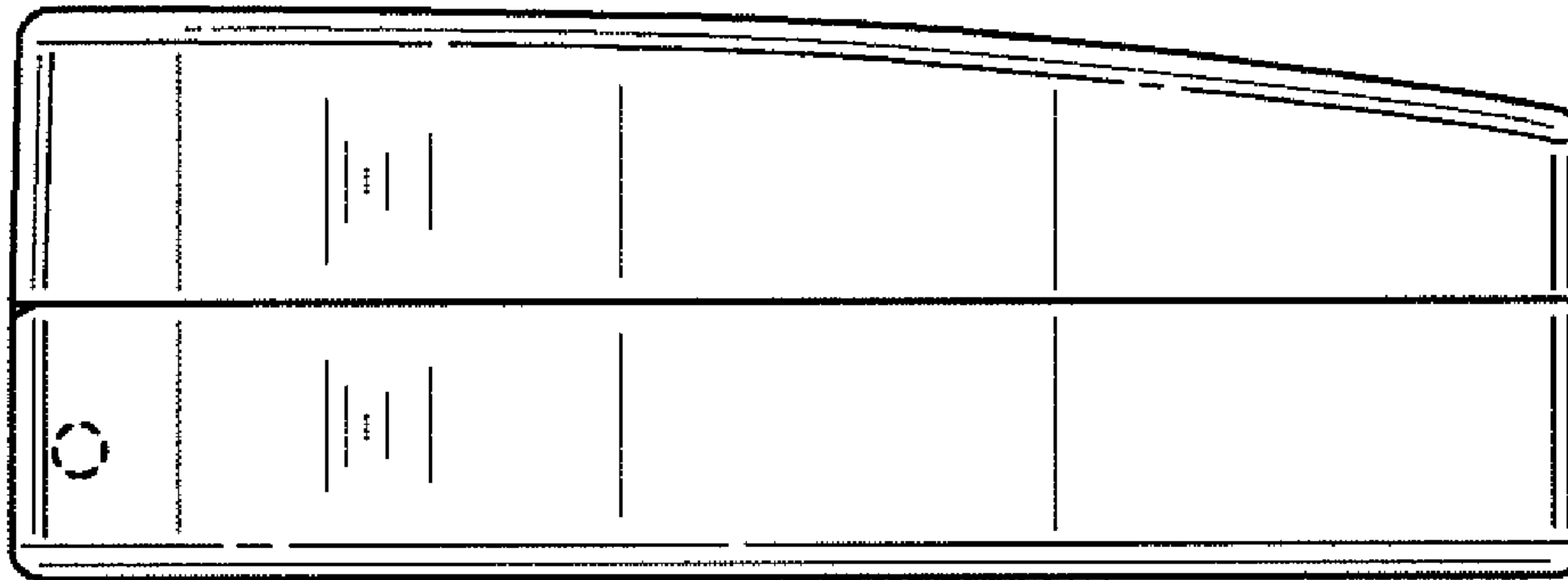


FIG. 5

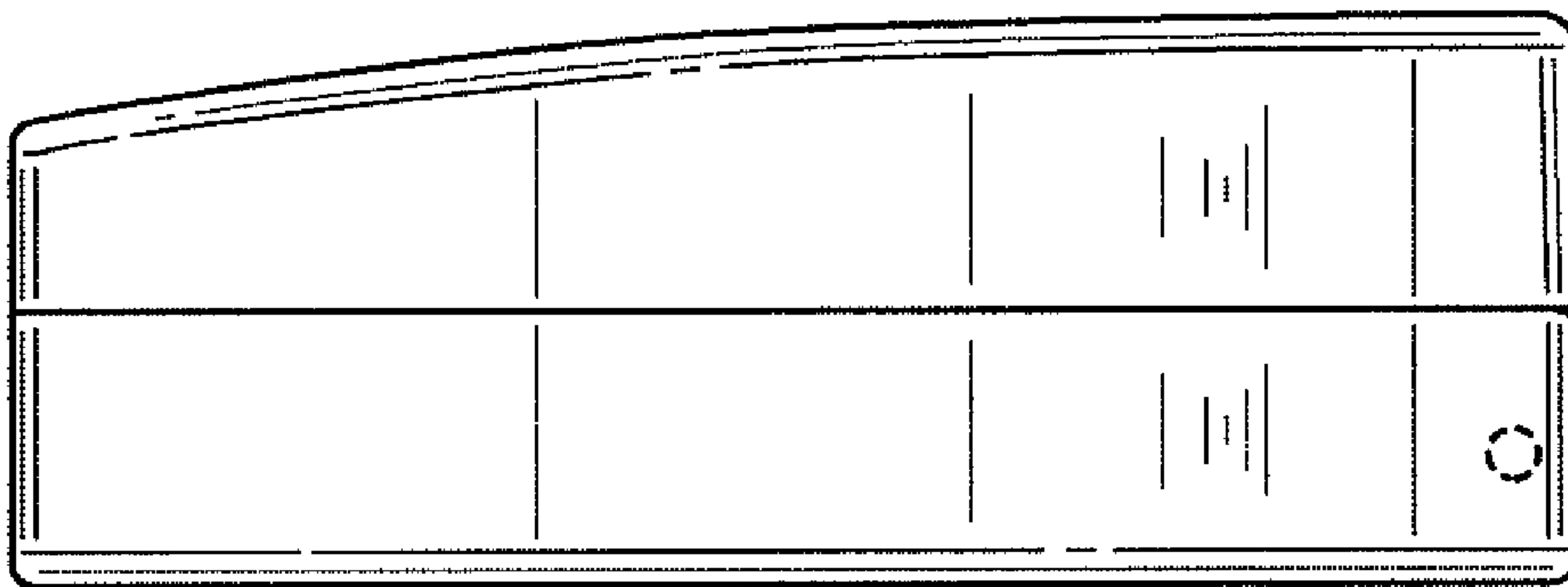


FIG. 6

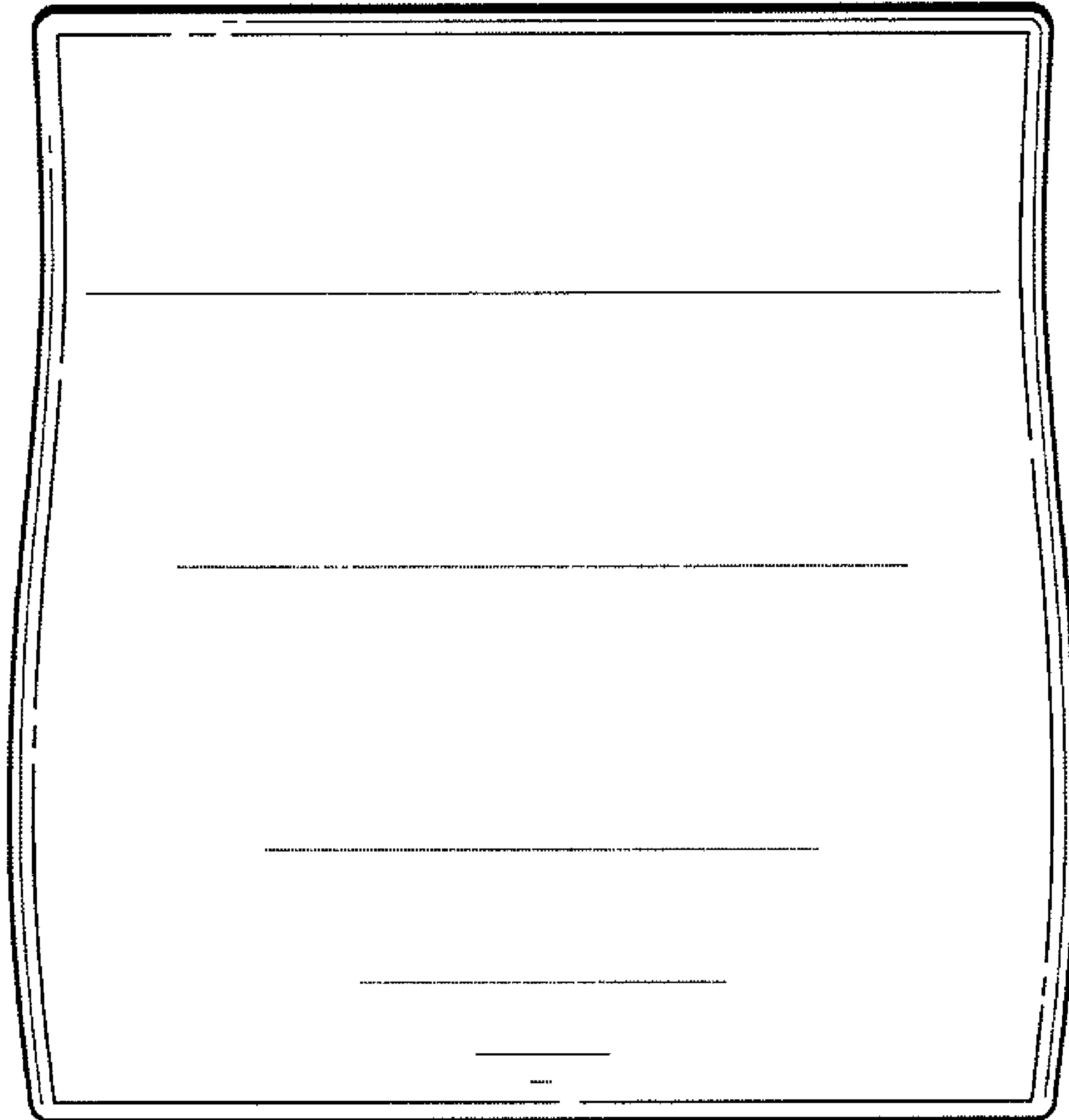


FIG. 7

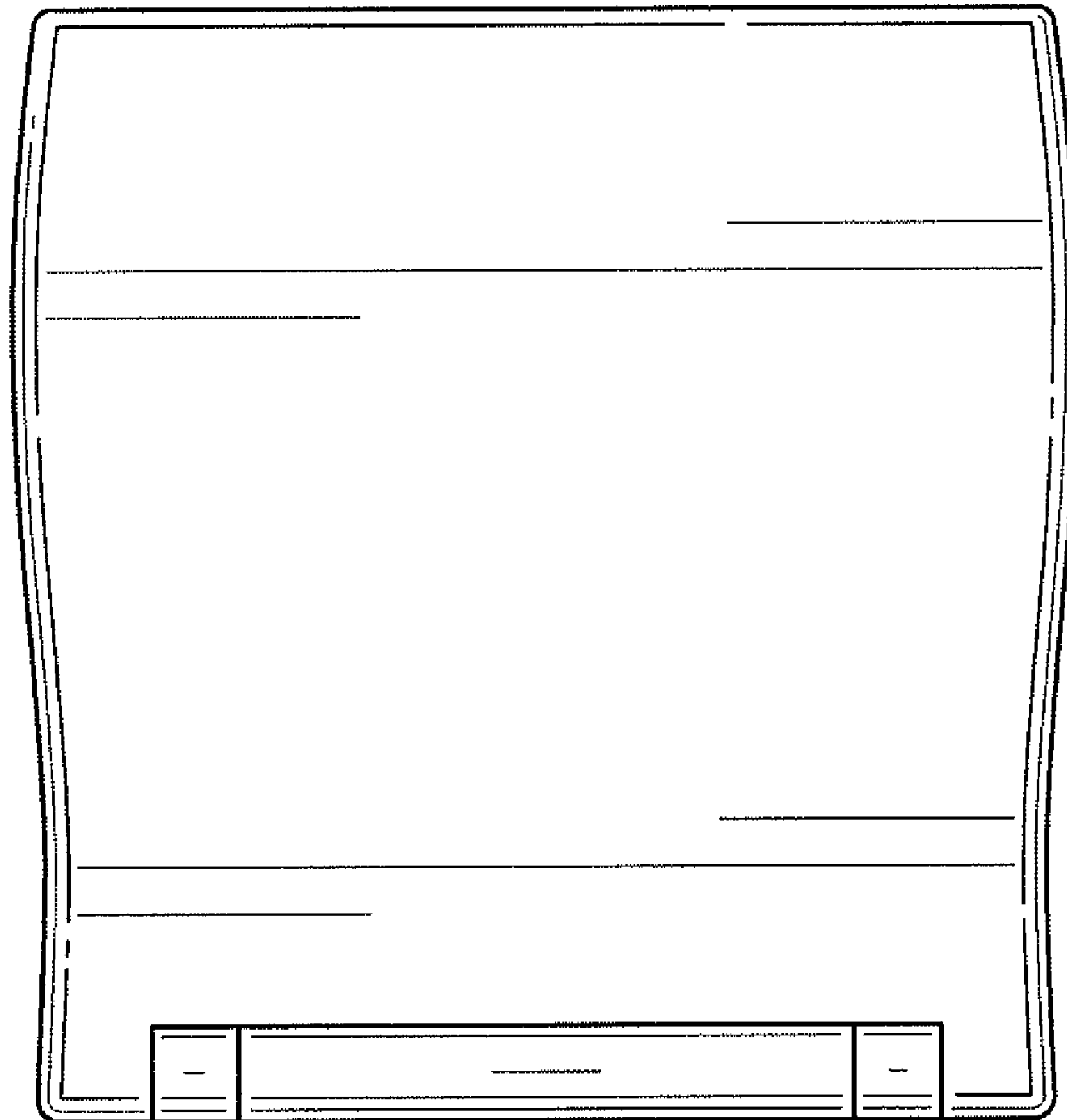


FIG. 8