



US00D629200S

(12) **United States Design Patent**
Turella-Yuan et al.

(10) **Patent No.:** **US D629,200 S**

(45) **Date of Patent:** **** Dec. 21, 2010**

(54) **LUGGAGE**

(75) Inventors: **Lilli Turella-Yuan**, Penzberg (DE); **Ralf Scheel**, Haan (DE)

(73) Assignee: **Titan Kofferwerk GmbH**, Penzberg (DE)

(**) Term: **14 Years**

(21) Appl. No.: **29/343,282**

(22) Filed: **Sep. 10, 2009**

(30) **Foreign Application Priority Data**

Mar. 10, 2009 (EM) 485540601

(51) **LOC (9) Cl.** **03-01**

(52) **U.S. Cl.** **D3/279**

(58) **Field of Classification Search** D3/276-279,
D3/318, 321, 900, 902; 190/18 A, 100, 103,
190/109-112, 115, 119, 120, 122, 124-127,
190/903; 220/1.5; 206/442

See application file for complete search history.

(56) **References Cited**

U.S. PATENT DOCUMENTS

3,759,599 A * 9/1973 Swick, Jr. 312/262
5,197,578 A * 3/1993 Van Hooreweder 190/18 A
6,609,598 B2 * 8/2003 Hsu 190/103
D491,361 S * 6/2004 Bernbaum et al. D3/279
D563,101 S * 3/2008 Kuchler D3/279

D574,150 S * 8/2008 Ross D3/279
D581,666 S * 12/2008 Sijmons D3/279
D582,160 S * 12/2008 Sijmons D3/279
D587,902 S * 3/2009 Yoneno D3/279
D602,252 S * 10/2009 Ehret D3/279
D603,163 S * 11/2009 Van Himbeek D3/279
D618,459 S * 6/2010 Thuma et al. D3/279

* cited by examiner

Primary Examiner—Prabhakar Deshmukh

(74) *Attorney, Agent, or Firm*—Katten Muchin Roseman LLP

(57) **CLAIM**

The ornamental designs for luggage, as shown and described.

DESCRIPTION

FIG. 1 is a perspective view of a luggage showing our new design;

FIG. 2 is a front elevational view thereof;

FIG. 3 is a rear elevational view thereof;

FIG. 4 is a left side elevational view thereof;

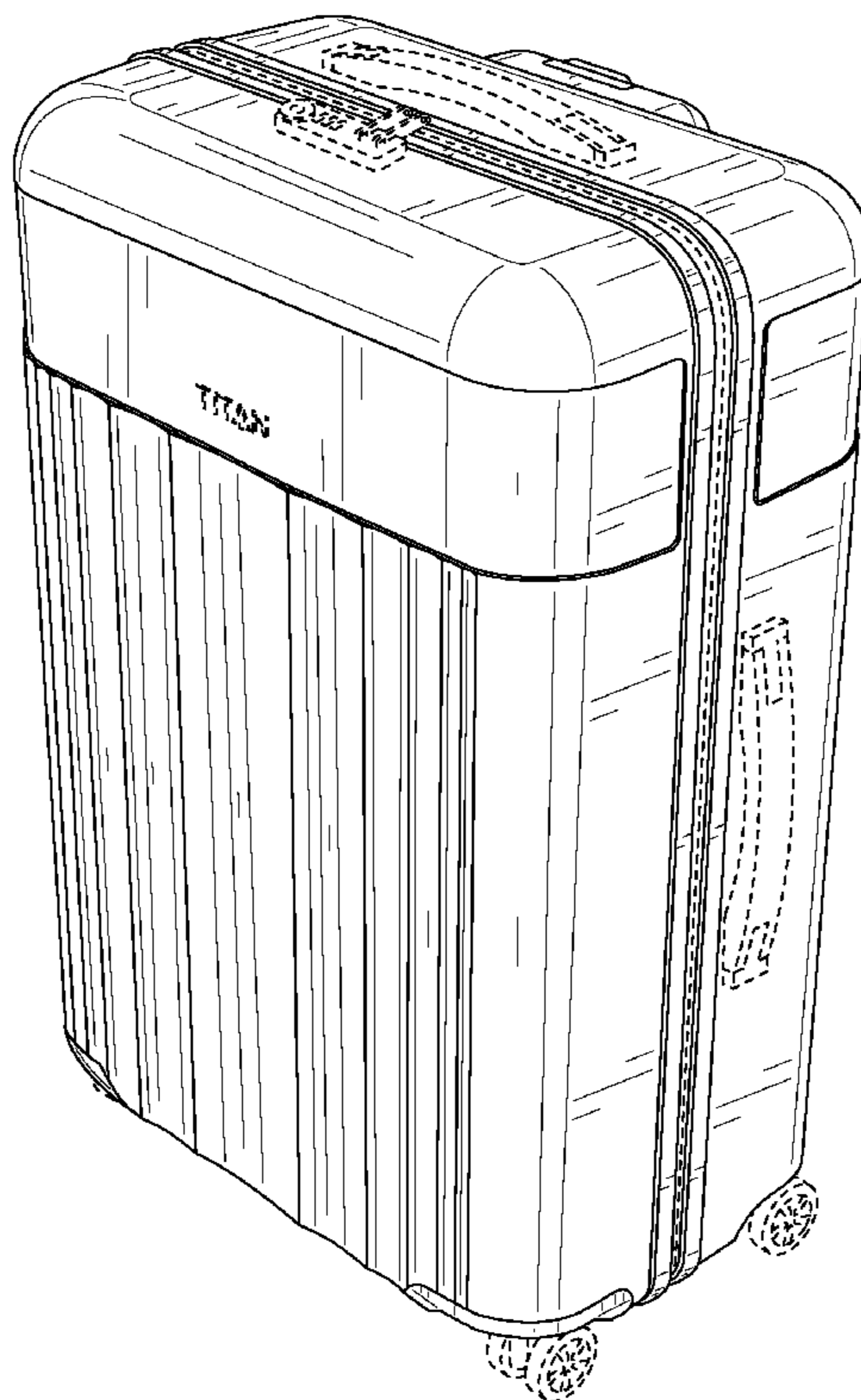
FIG. 5 is a right side elevational view thereof;

FIG. 6 is a top plan view thereof; and,

FIG. 7 is a bottom plan view thereof.

The portions of the design shown in broken lines are for illustrative purpose only and form no part of the claimed design.

1 Claim, 6 Drawing Sheets



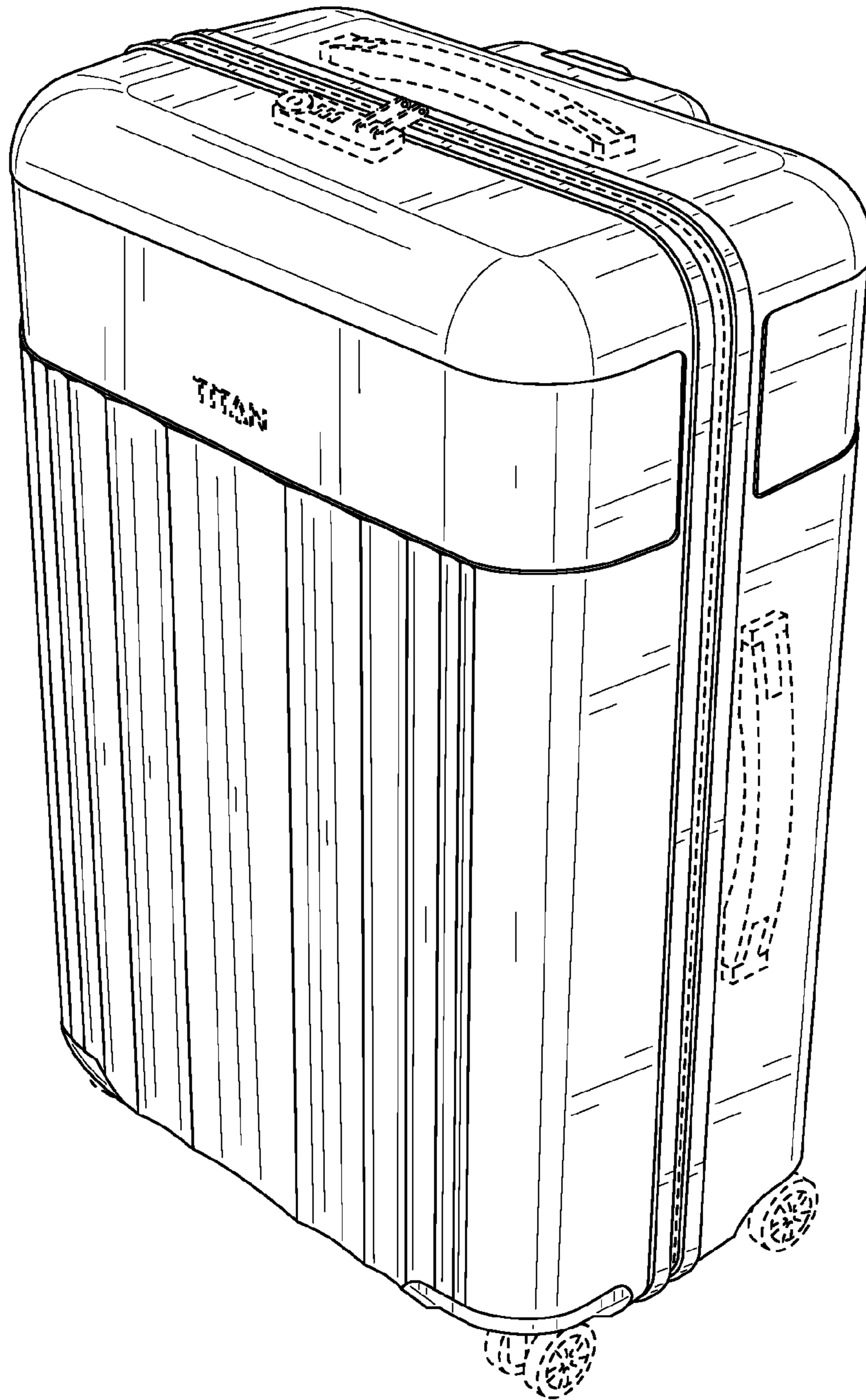


FIG. 1

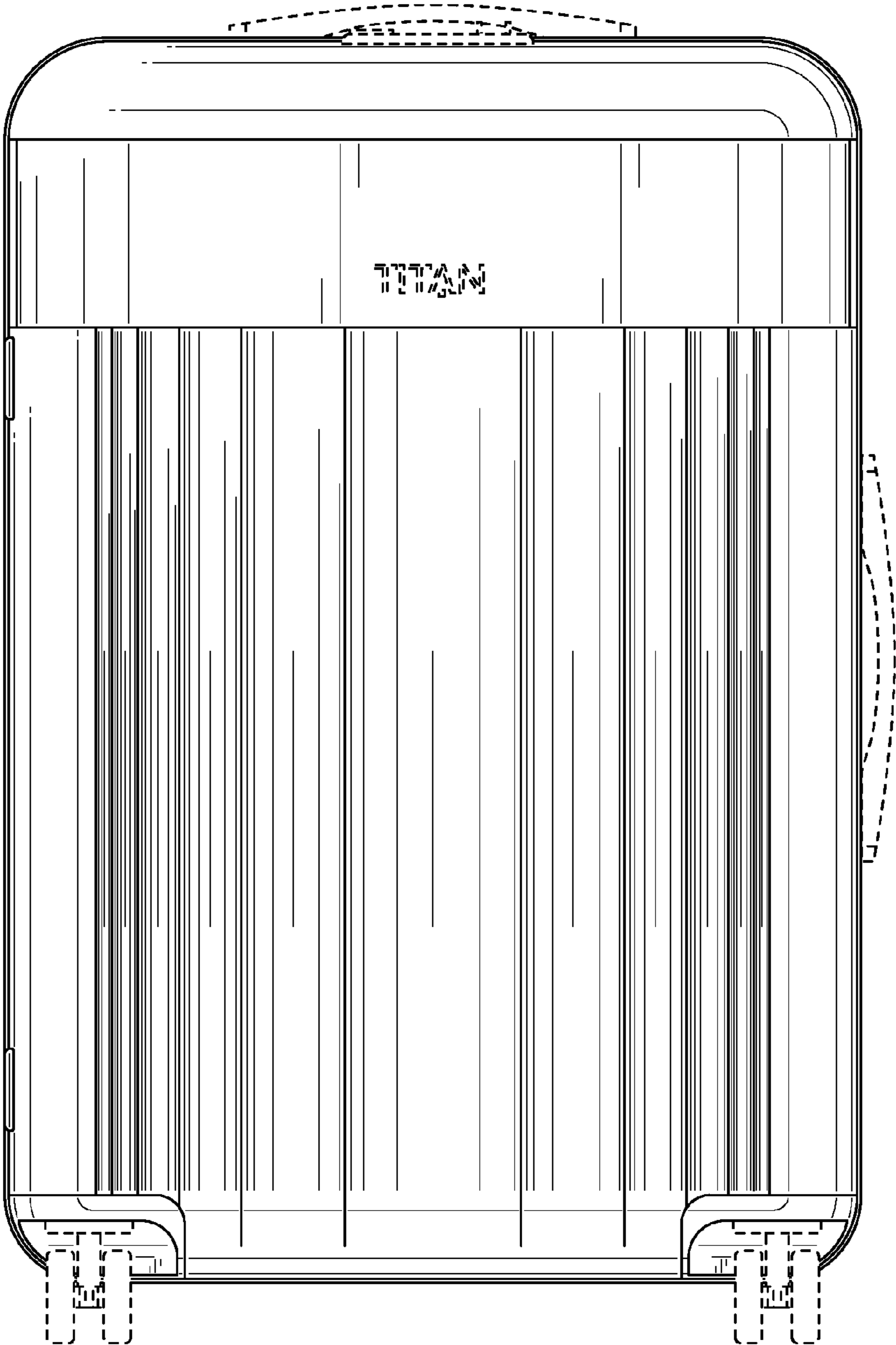


FIG. 2

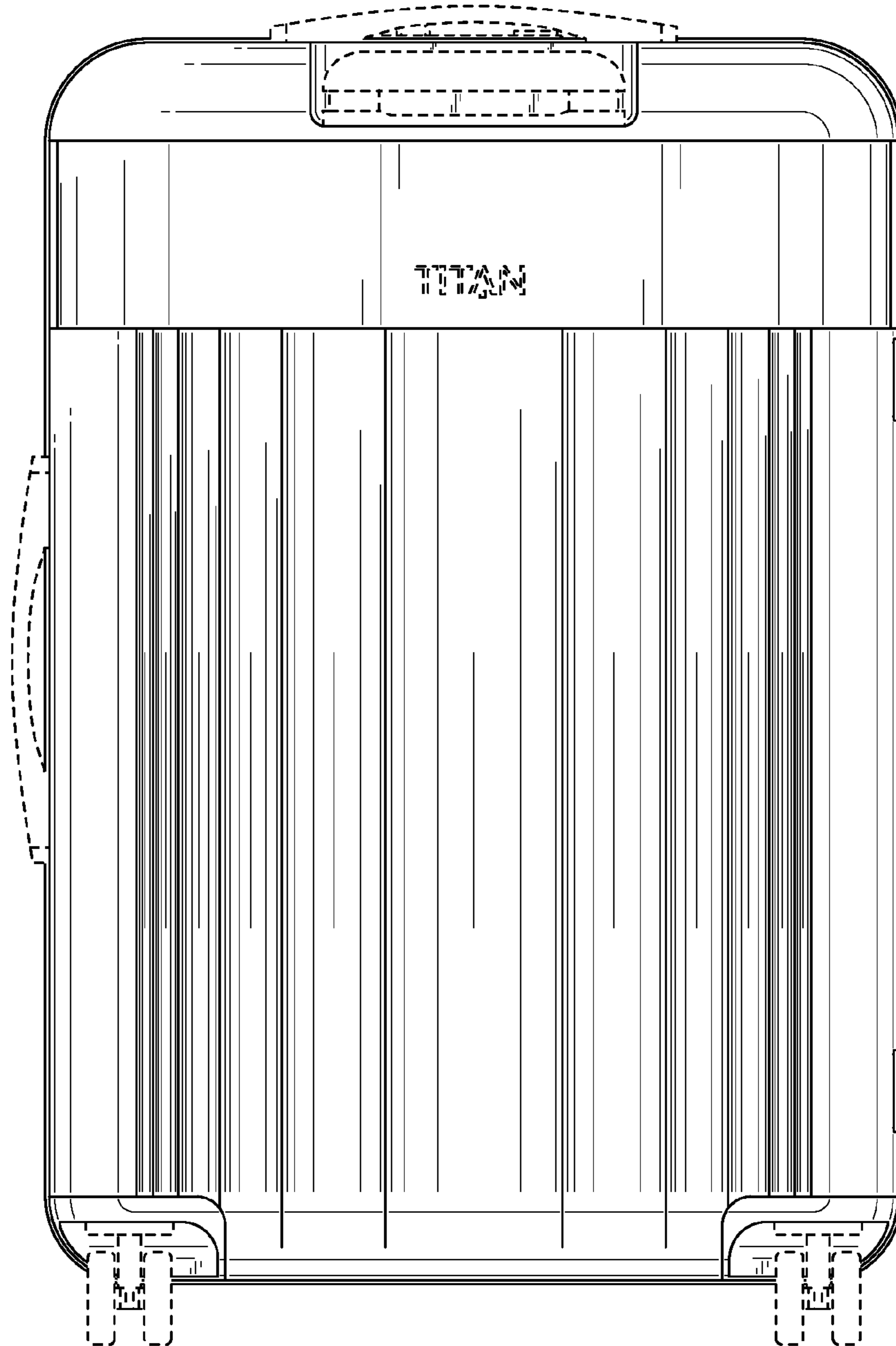


FIG. 3

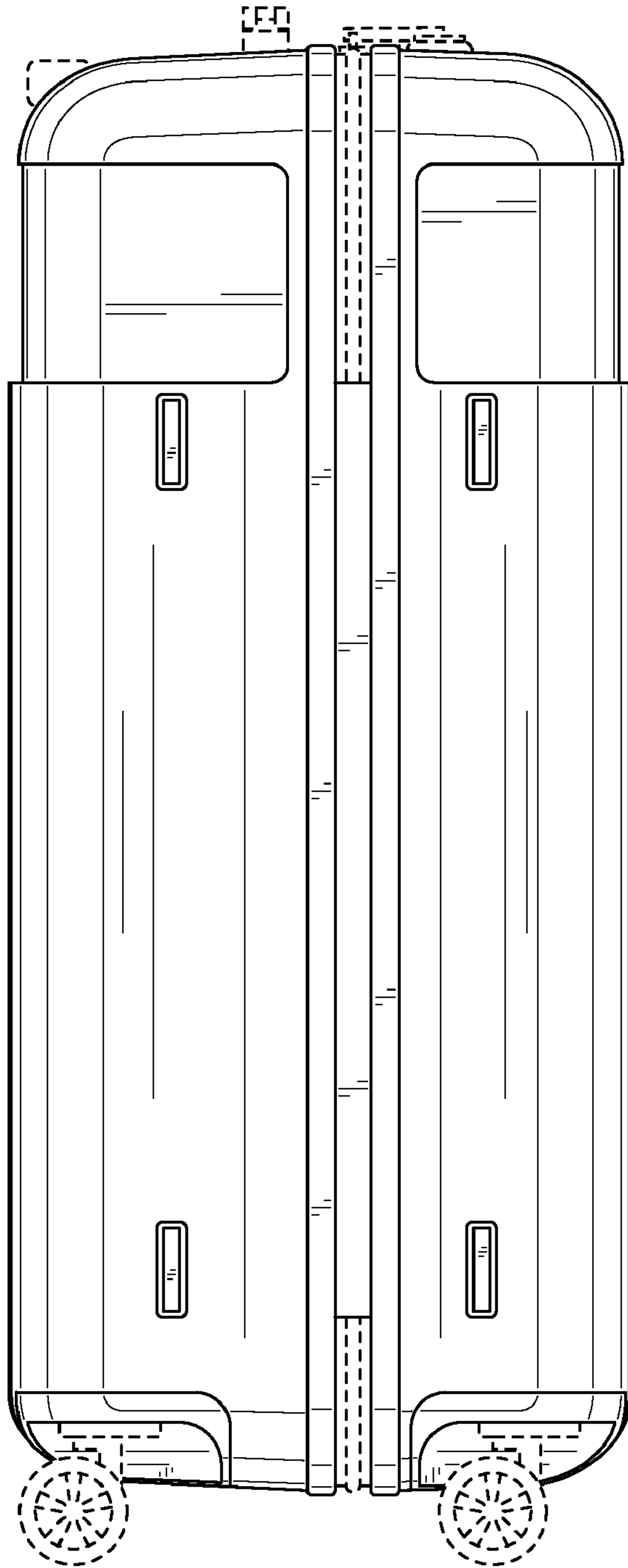


FIG. 4

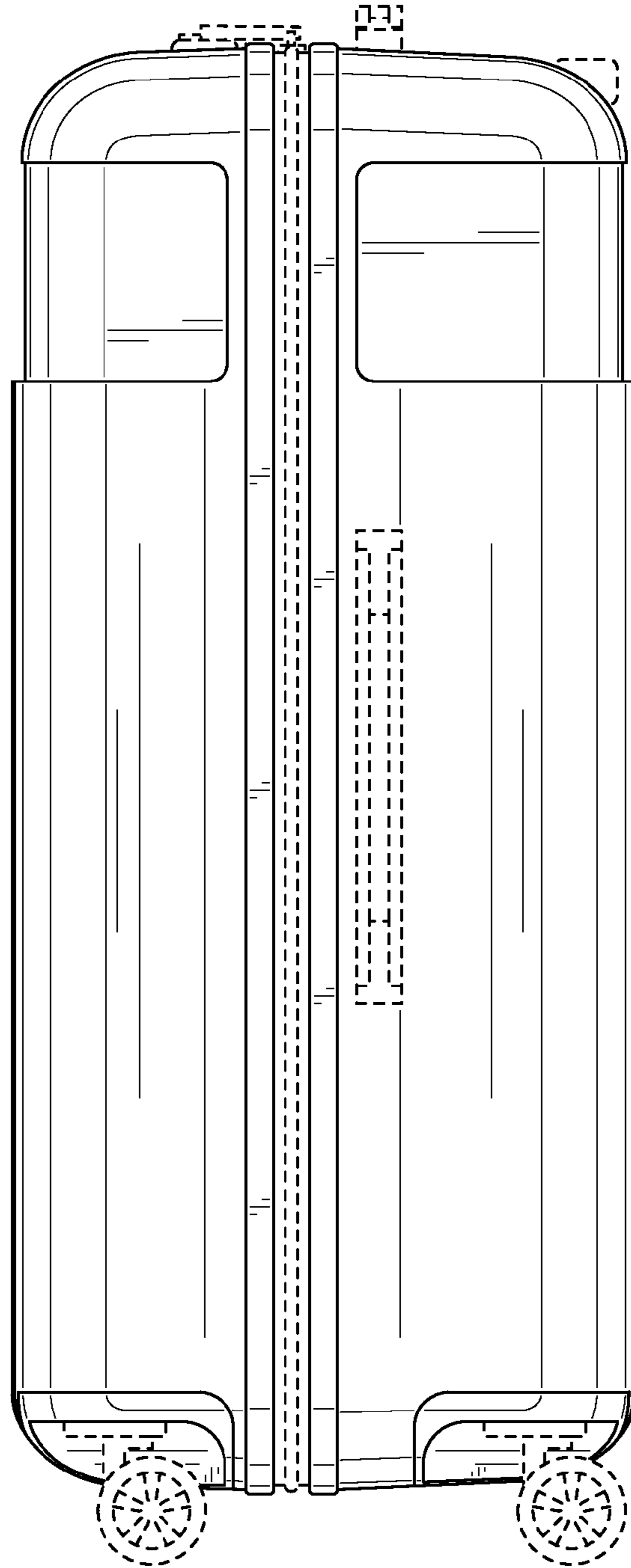


FIG. 5

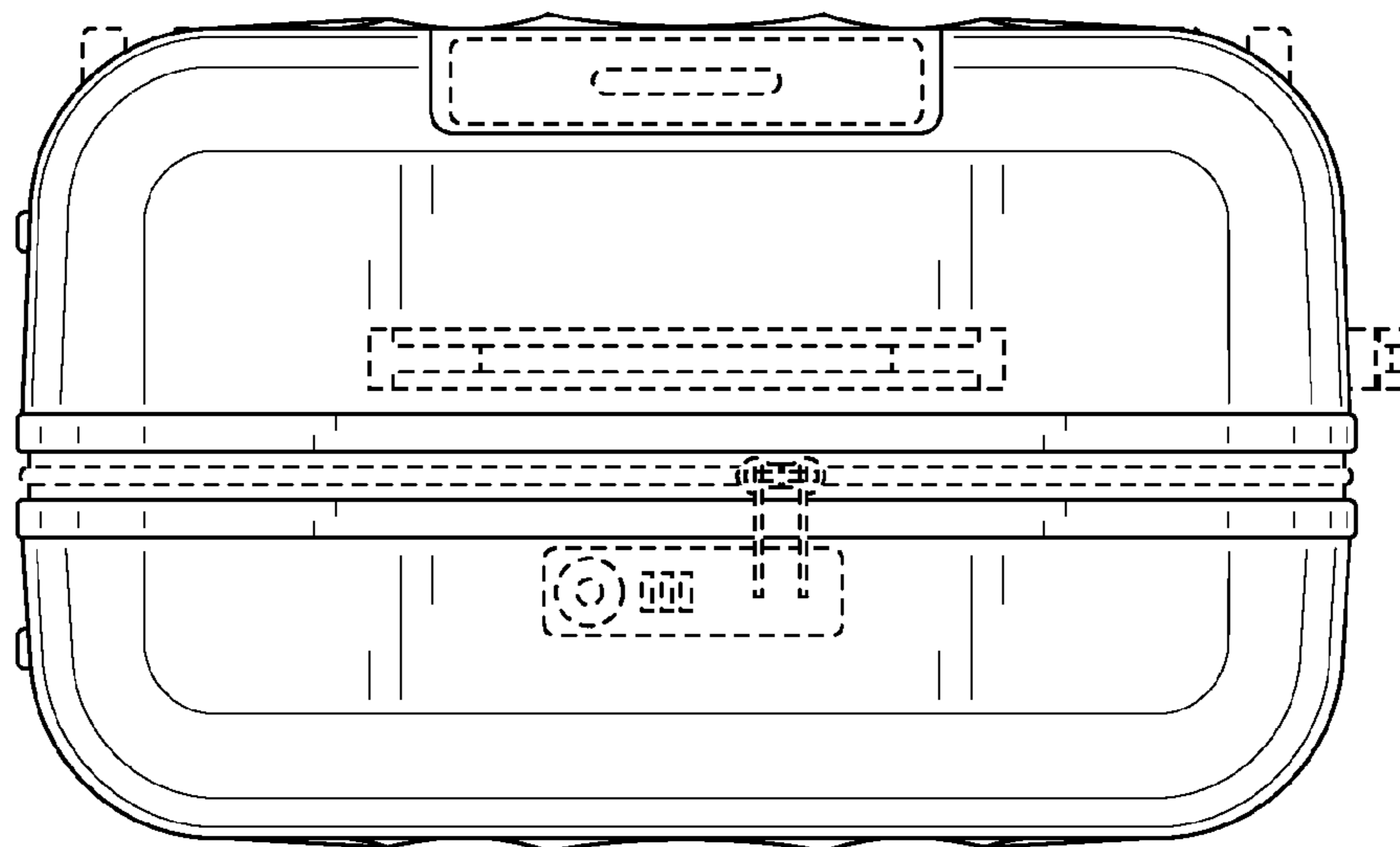


FIG. 6

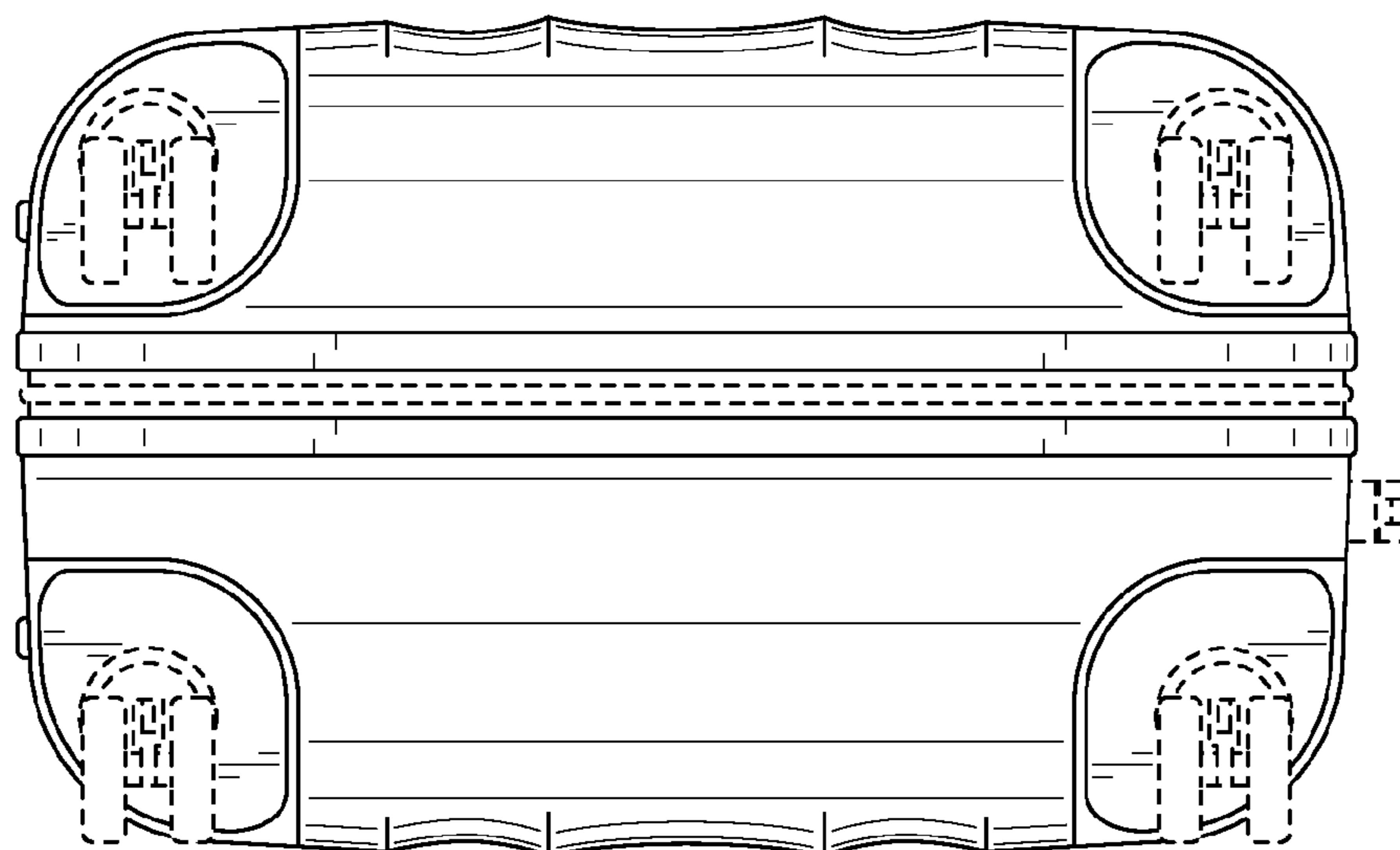


FIG. 7