



US00D629199S

(12) **United States Design Patent**  
**Minneman**

(10) **Patent No.:** **US D629,199 S**

(45) **Date of Patent:** **\*\* \*Dec. 21, 2010**

(54) **SURVIVAL BOX**

D462,519 S \* 9/2002 Gaydos et al. .... D3/276

(Continued)

(75) Inventor: **Steven W Minneman**, Clayton, OH  
(US)

**OTHER PUBLICATIONS**

Survivor Dry Boxes. Downloaded Mar. 15, 2010 at <http://www.mtmcas-gard.com/products/camping/dry-boxes-s1072.html>.\*

(Continued)

(73) Assignee: **MTM Molded Products Company**,  
Dayton, OH (US)

(\*\*) Term: **14 Years**

*Primary Examiner*—Philip S Hyder  
*Assistant Examiner*—Roselynn Cody

(21) Appl. No.: **29/344,873**

(74) *Attorney, Agent, or Firm*—Jacox, Meckstroth & Jenkins

(22) Filed: **Oct. 6, 2009**

(57) **CLAIM**

(51) **LOC (9) Cl.** ..... **03-01**

The ornamental design for a survival box, as shown and described.

(52) **U.S. Cl.** ..... **D3/274; D3/294; D3/203.6**

(58) **Field of Classification Search** ..... D3/20,  
D3/203.6, 260, 262, 272–274, 281, 291, 301–302,  
D3/905; 206/315.11, 811; 220/4.21–4.24  
See application file for complete search history.

**DESCRIPTION**

(56) **References Cited**

FIG. 1 is a perspective view of an embodiment of my invention;

FIG. 2 is a right side view thereof;

FIG. 3 is a top view thereof, illustrating a compass in the top of the survival box;

FIG. 4 is a left side view thereof;

FIG. 5 is a front view thereof;

FIG. 6 is a rear view thereof; and

FIG. 7 is a bottom view thereof.

FIG. 8 is a perspective view of another embodiment of my invention;

FIG. 9 is a right side view thereof;

FIG. 10 is a top view thereof, illustrating a compass in the top of the survival box;

FIG. 11 is a left side view thereof;

FIG. 12 is a front view thereof;

FIG. 13 is a rear view thereof; and,

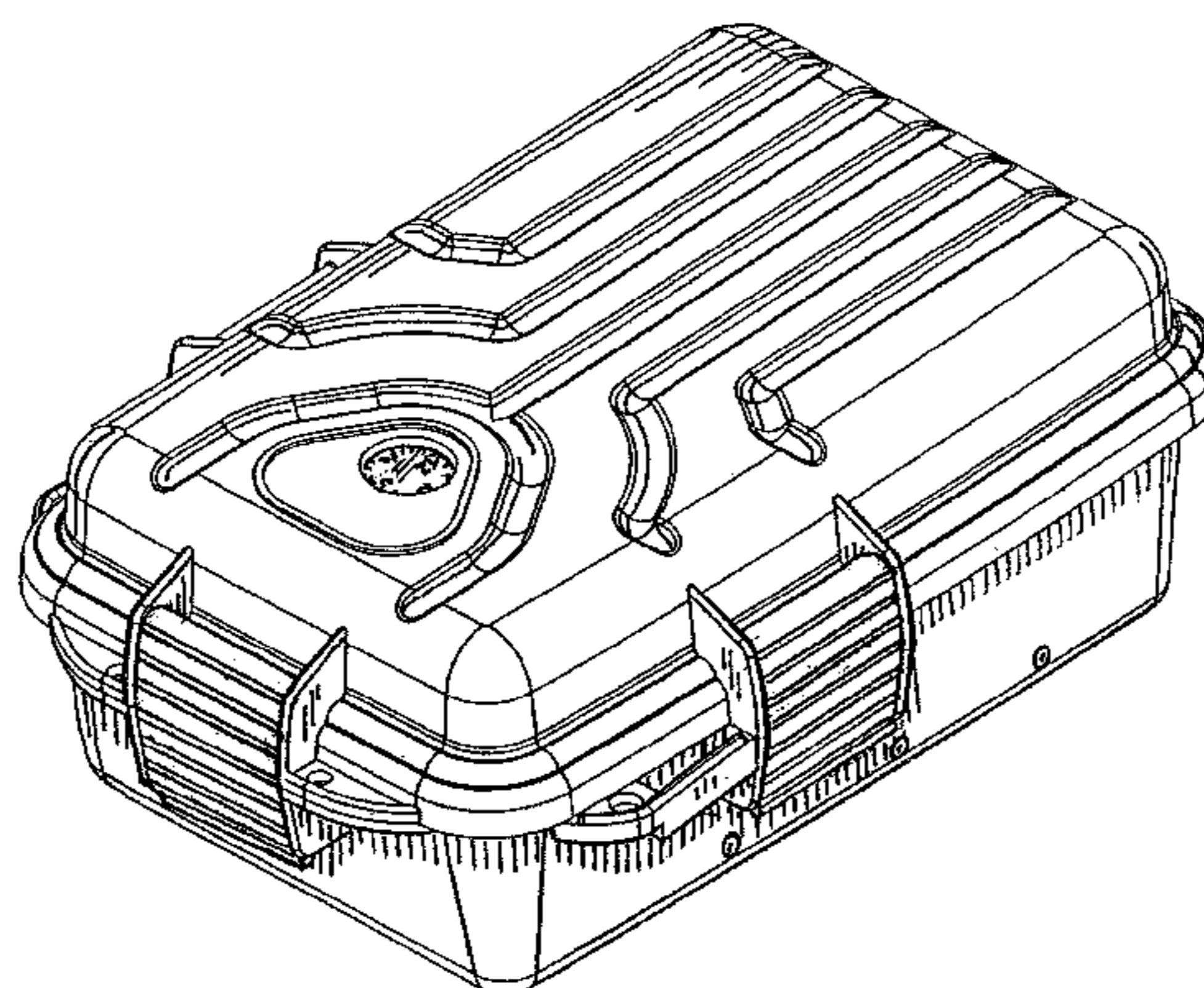
FIG. 14 is a bottom view thereof.

The broken lines in the figures depict portions of the design that are included for illustrative purposes only and form no part of the claim.

**1 Claim, 6 Drawing Sheets**

**U.S. PATENT DOCUMENTS**

1,355,343	A	10/1920	Korn	
2,939,603	A *	6/1960	Young	220/4.21
3,464,579	A *	9/1969	Asenbauer	220/4.21
4,030,646	A	6/1977	Switack et al.	
4,183,206	A	1/1980	Porsche et al.	
4,363,147	A	12/1982	Deweese	
4,395,828	A	8/1983	Juhas	
D329,747	S *	9/1992	Embree	D3/294
D334,662	S *	4/1993	van Berne	D3/272
D353,048	S *	12/1994	VanSkiver et al.	D3/276
D367,958	S *	3/1996	Tisbo et al.	D3/273
D375,693	S	11/1996	Chang	
D380,225	S	6/1997	Kung	
D384,886	S	10/1997	Plante	
D387,903	S *	12/1997	Jacoby et al.	D3/273
D389,745	S	1/1998	Steinhagen et al.	
D392,060	S	3/1998	Chen	
D403,093	S	12/1998	Tseng	
D413,202	S *	8/1999	Schmitt et al.	D3/276
D419,297	S *	1/2000	Richardson et al.	D3/273
D419,768	S *	2/2000	Richardson et al.	D3/273
6,193,062	B1	2/2001	Rysgaard et al.	
D441,954	S *	5/2001	Parker	D3/279



# US D629,199 S

Page 2

## U.S. PATENT DOCUMENTS

D464,196 S \* 10/2002 Parker ..... D3/273  
D465,330 S \* 11/2002 Parker ..... D3/273  
D466,422 S 12/2002 Luquire  
6,564,384 B1 5/2003 Kiser  
D488,398 S 4/2004 Morelock  
D490,551 S 5/2004 Kim  
D495,074 S 8/2004 Oas  
D495,443 S 8/2004 Kim  
6,955,381 B2 \* 10/2005 Parker et al. .... 292/113  
D514,512 S 2/2006 Rubin et al.  
D516,309 S \* 3/2006 Richardson et al. .... D3/273  
D516,807 S \* 3/2006 Richardson et al. .... D3/273  
D523,242 S \* 6/2006 Hardigg et al. .... D3/276  
D527,181 S \* 8/2006 Henning et al. .... D3/276  
D552,471 S 10/2007 Kuus  
7,370,891 B1 \* 5/2008 Schmitt et al. .... 292/113  
D572,154 S 7/2008 Daas  
D574,616 S \* 8/2008 Tullney et al. .... D3/291  
D579,202 S \* 10/2008 Grenier et al. .... D3/294  
D580,170 S \* 11/2008 Klotzman et al. .... D3/272  
7,447,118 B1 11/2008 Matos  
7,533,782 B2 \* 5/2009 Parker et al. .... 220/326  
D609,913 S \* 2/2010 Landau ..... D3/321  
2005/0034212 A1 2/2005 Eisenbraun  
2007/0164020 A1 \* 7/2007 Arnett et al. .... 220/4.21

2008/0307835 A1\* 12/2008 Grenier et al. .... 70/69

## OTHER PUBLICATIONS

Five in One Survival Kit featuring a waterproof matchbox and flint striker, whistle, signaling mirror, liquid-filled compass and lanyard for sale on websites <<http://www.cabelas.com>>, <<http://ep.yimg.com>>, and <<http://www.disaster necessities.com>>. At least as early as Feb. 13, 2004.

7 in 1! Emergency Survival Kit: Whistle + Compass + White LED Flashlight + Signalling Mirror + 5x Magnifier + Thermometer + Storage for sale on website <<http://www.wildtexas.com>>. At least as early as Jun. 23, 2009.

Survivor Kit, Whistle, Compass, Container for sale on website <<http://epromos.com/product/8815468.html>>. At least as early as Jul. 1, 2006.

Silva waterproof match-case with compass screw-top for sale on website <<http://www.campman.com/silva-match-case-p-292.html>>. At least as early as Feb. 9, 2006.

K & M Match-case with double O-ring stopper and compass screw-top for sale on website <<http://www.kmmatchcase.com>>. At least as early as Apr. 12, 2007.

Swiss Tech BodyGard Survivor 12-in-1 for sale on website <<http://microfiber-products-online.com>> and <<http://www.amazon.com>>. At least as early as Nov. 8, 2007.

\* cited by examiner

FIG-1

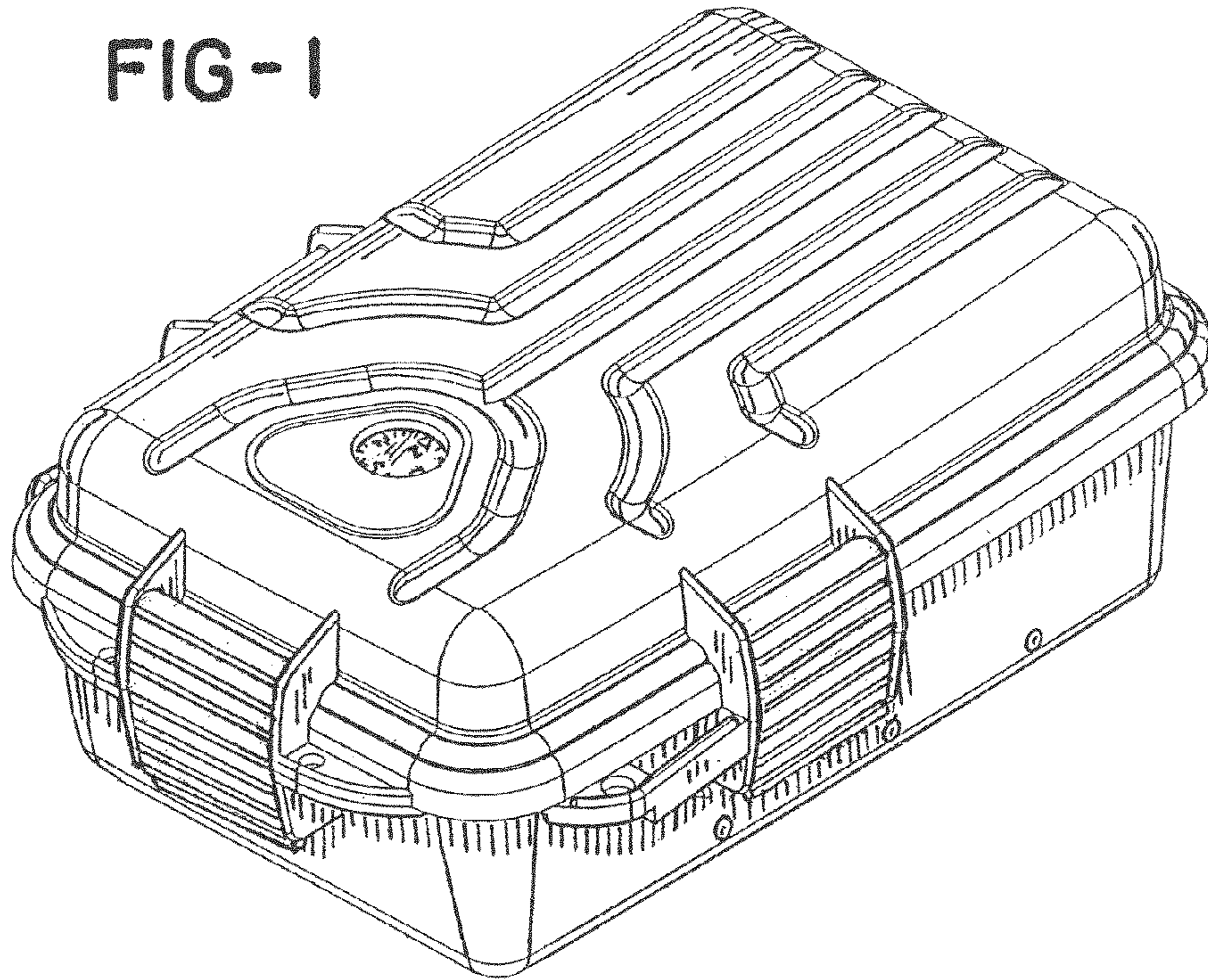


FIG-2

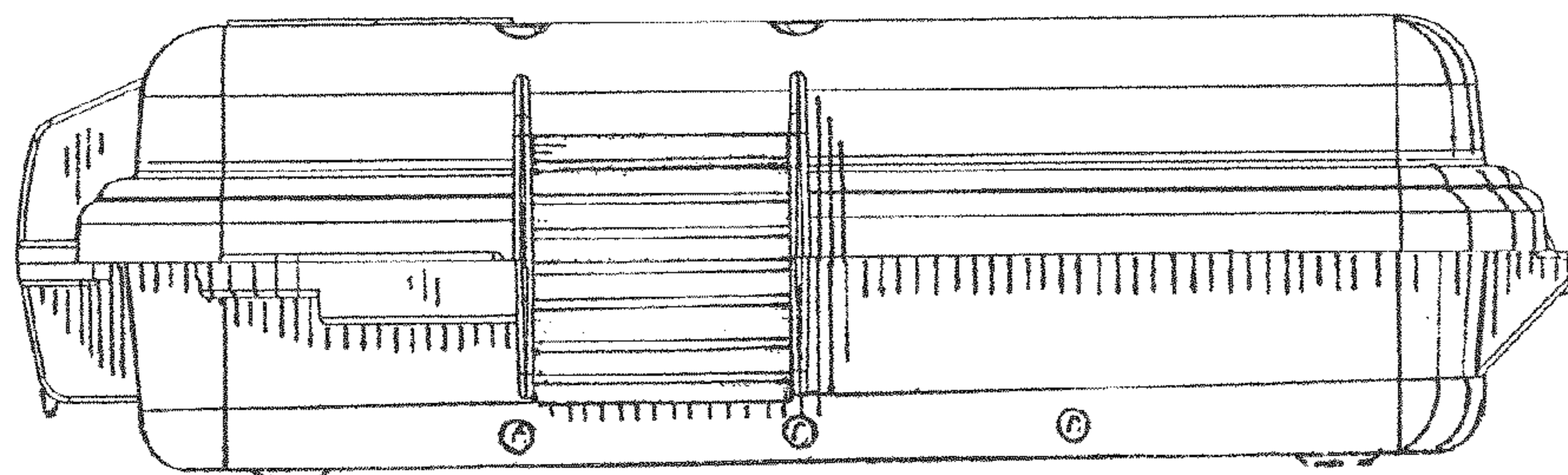


FIG-3

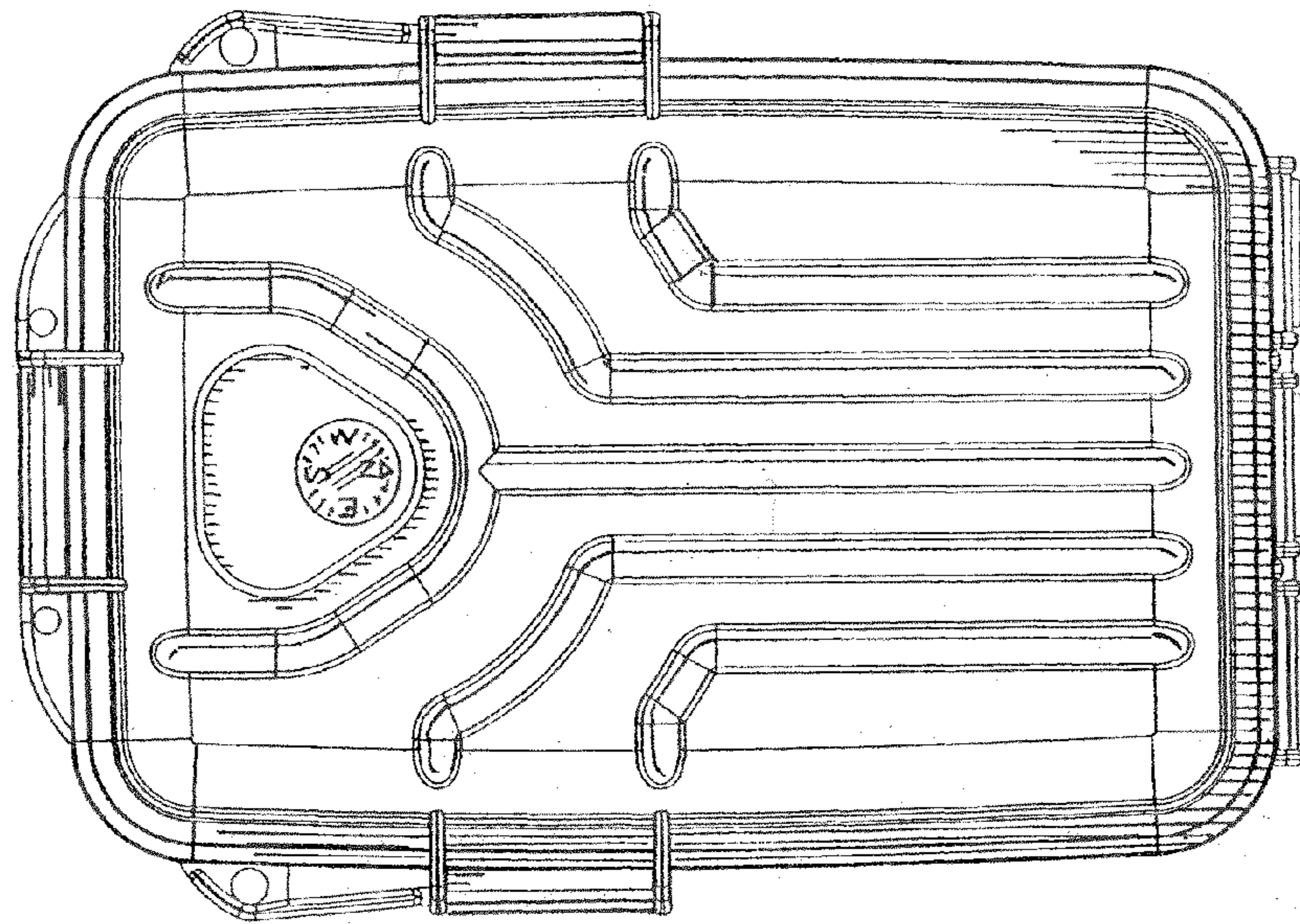


FIG-4

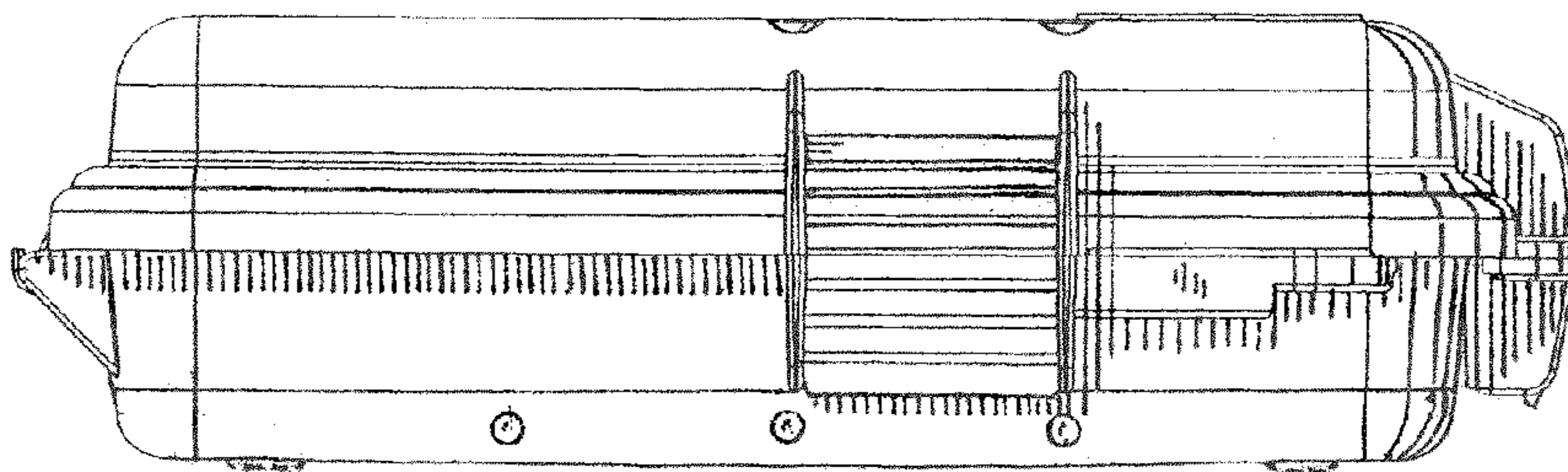


FIG-5

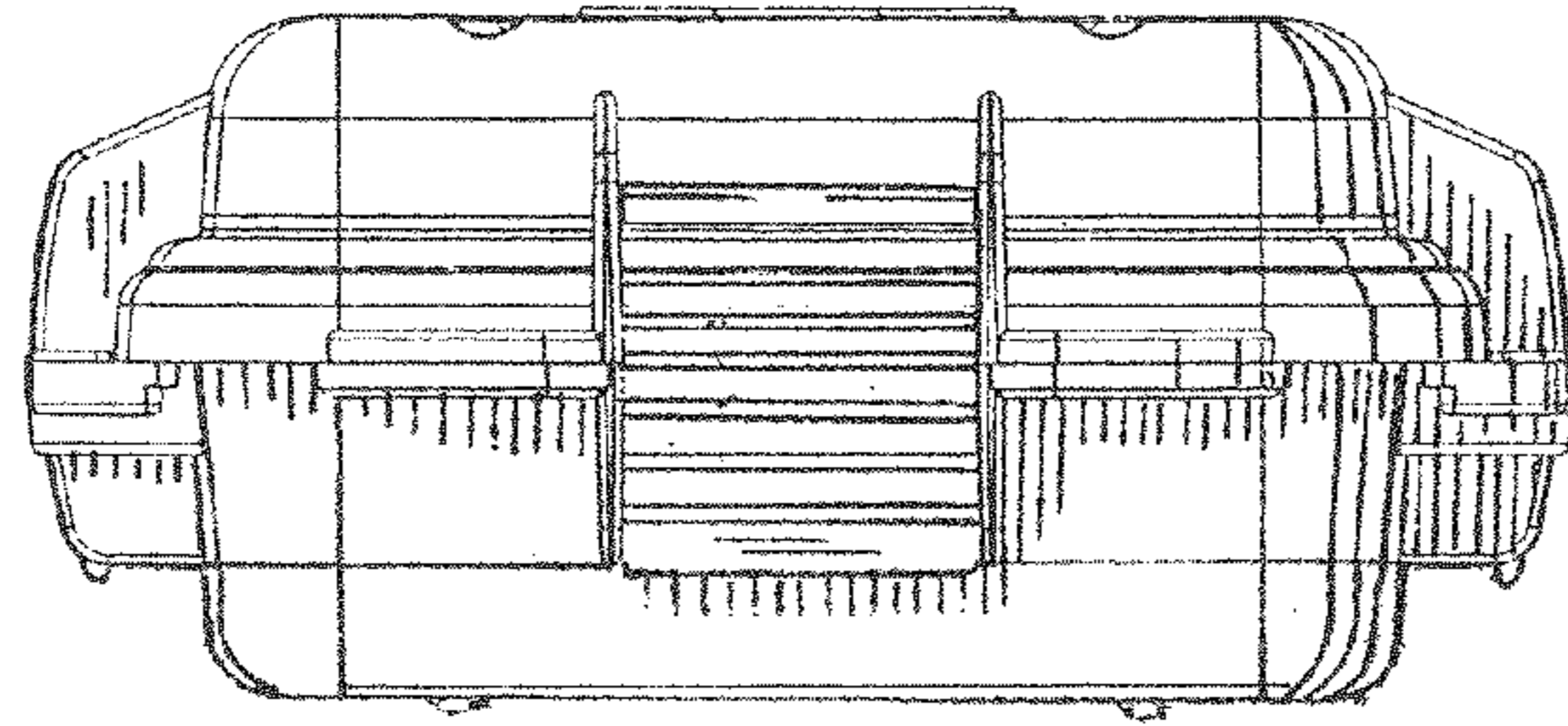


FIG-6

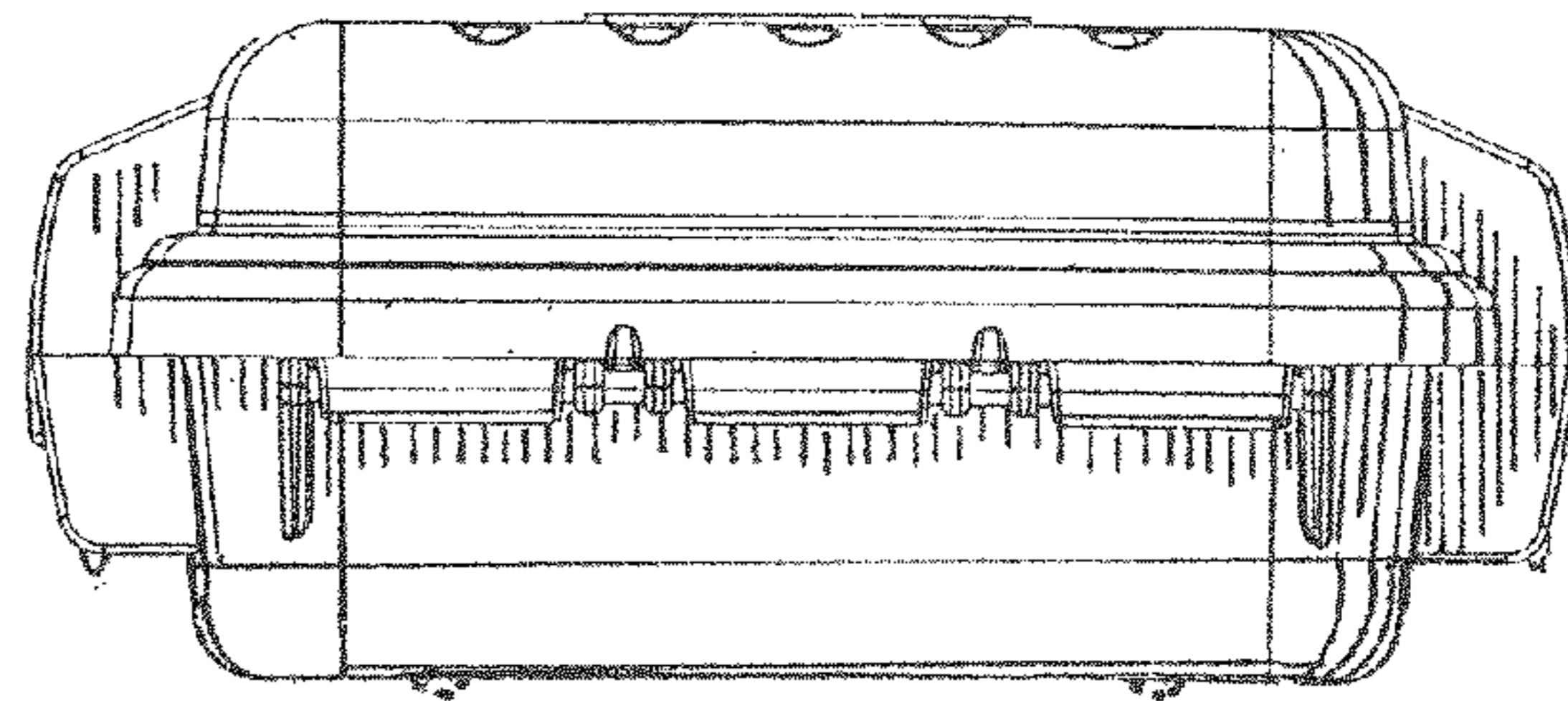


FIG-7

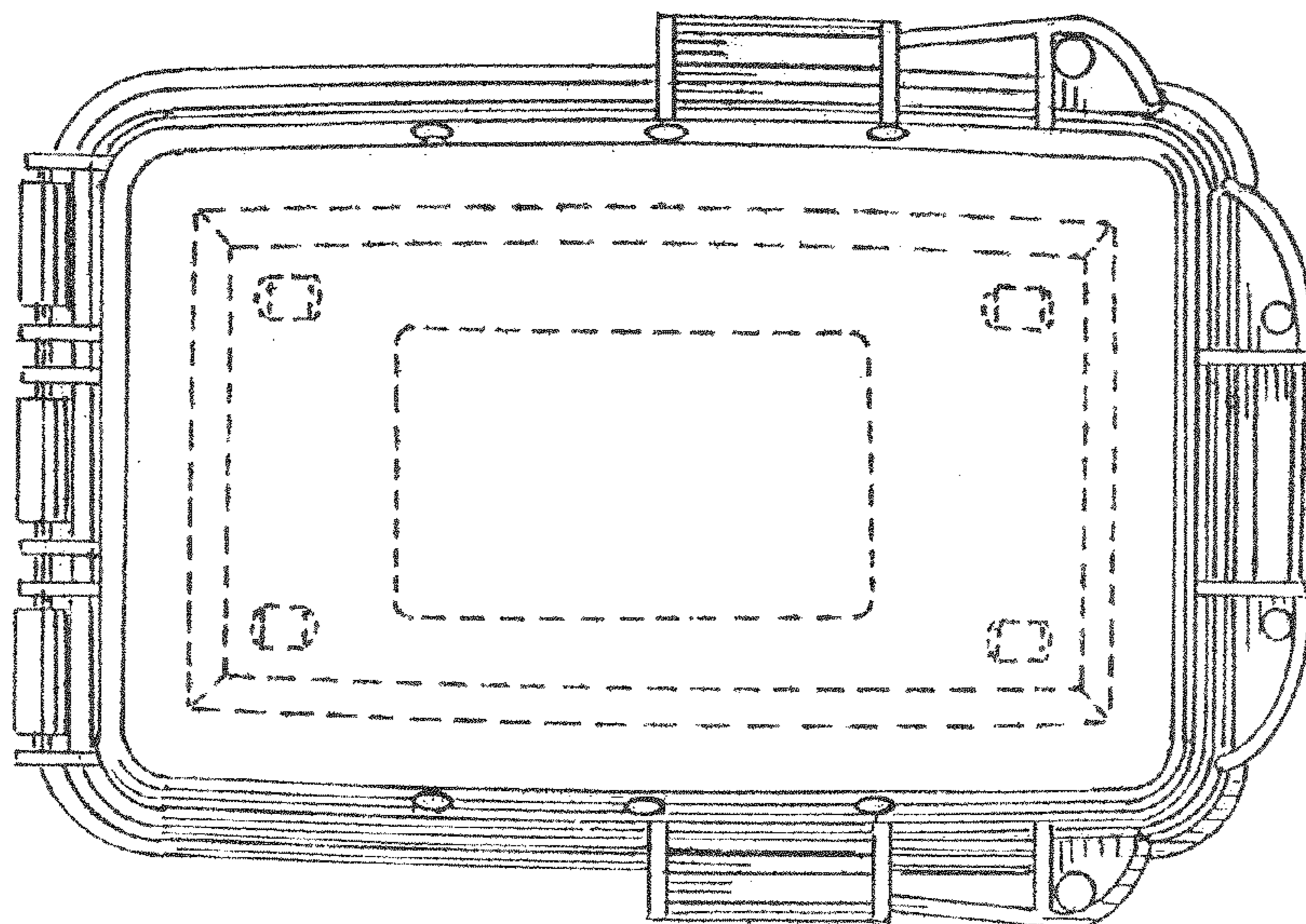


FIG-8

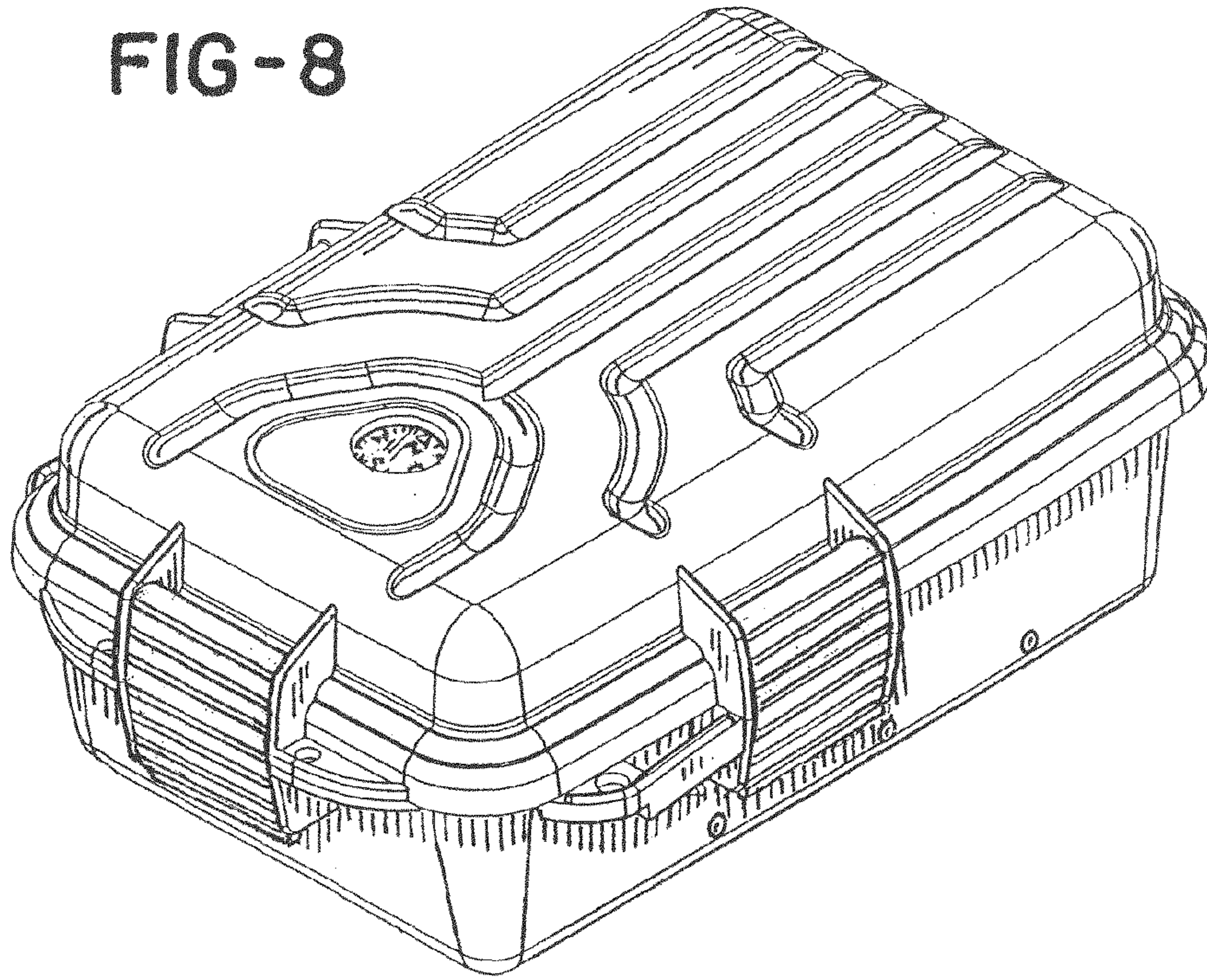


FIG-9

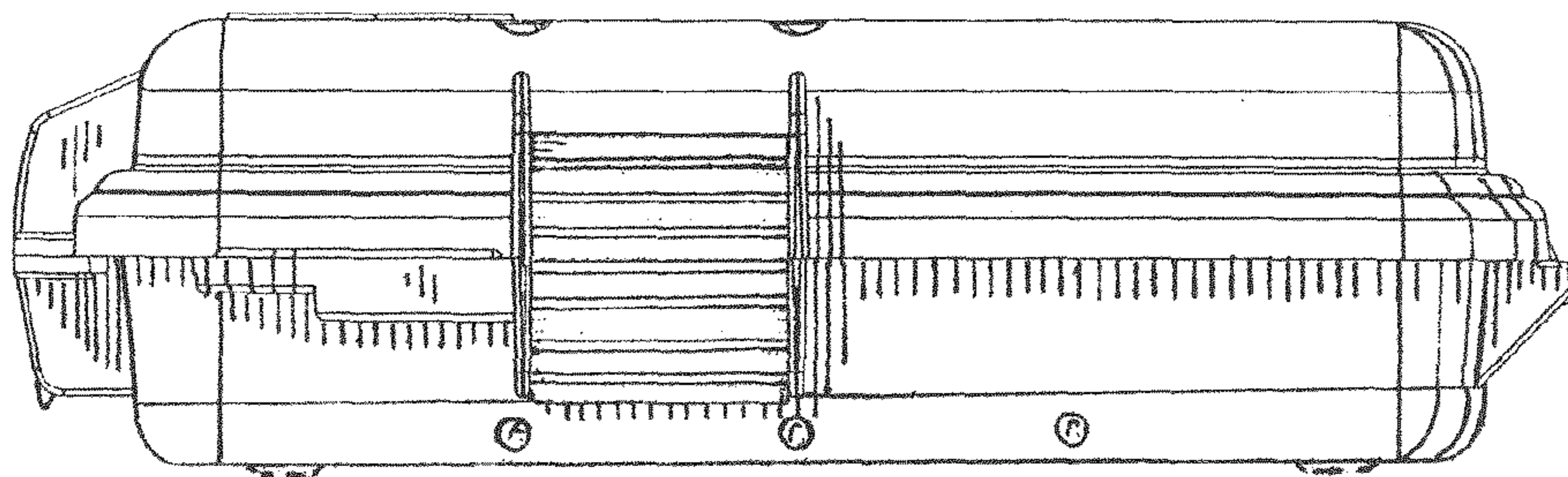


FIG-10

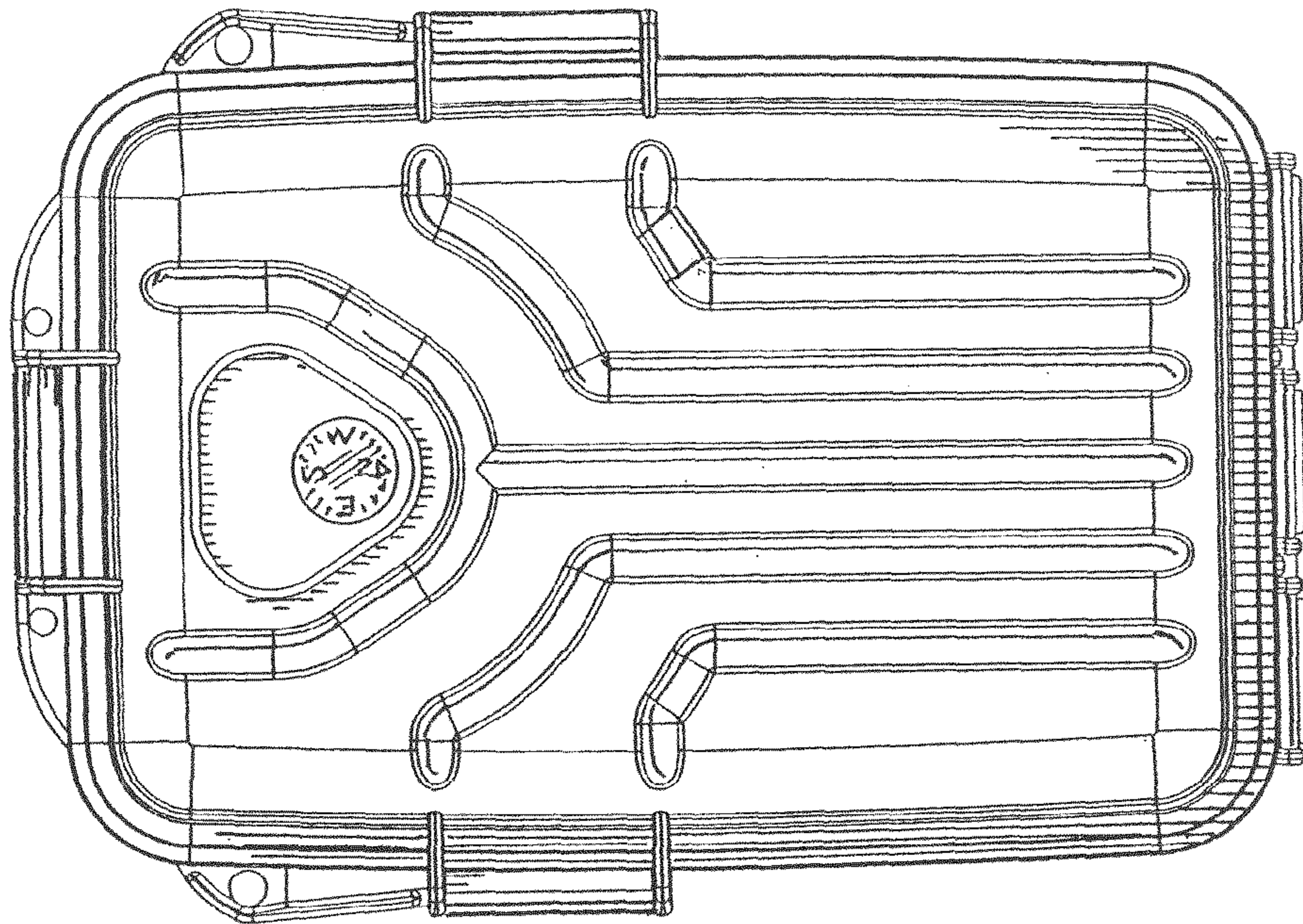


FIG-11

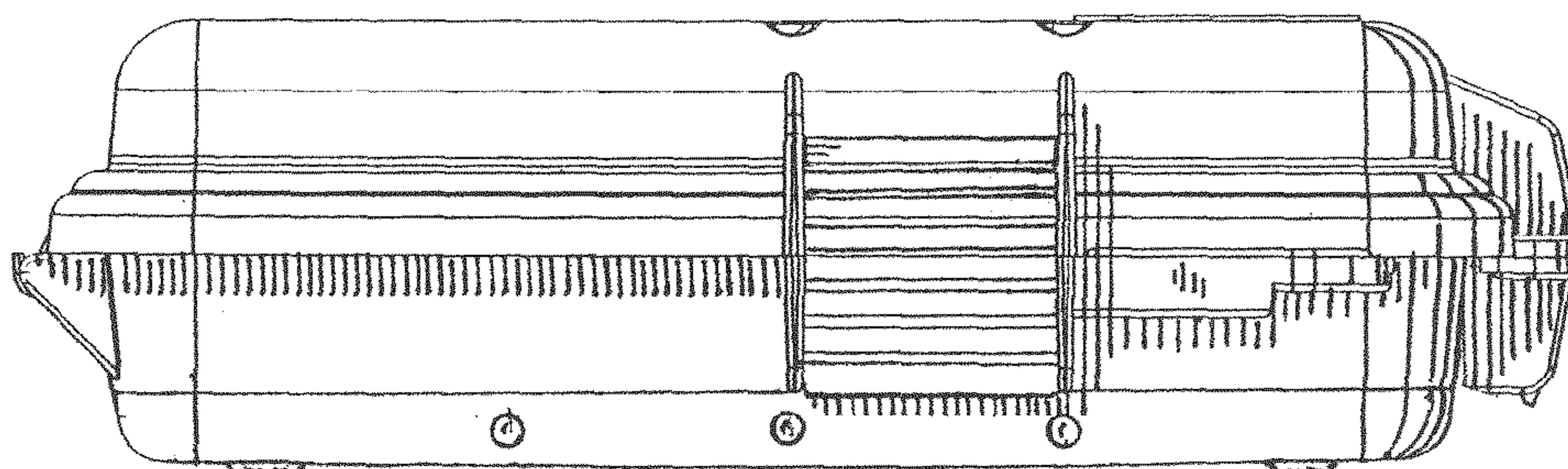


FIG-12

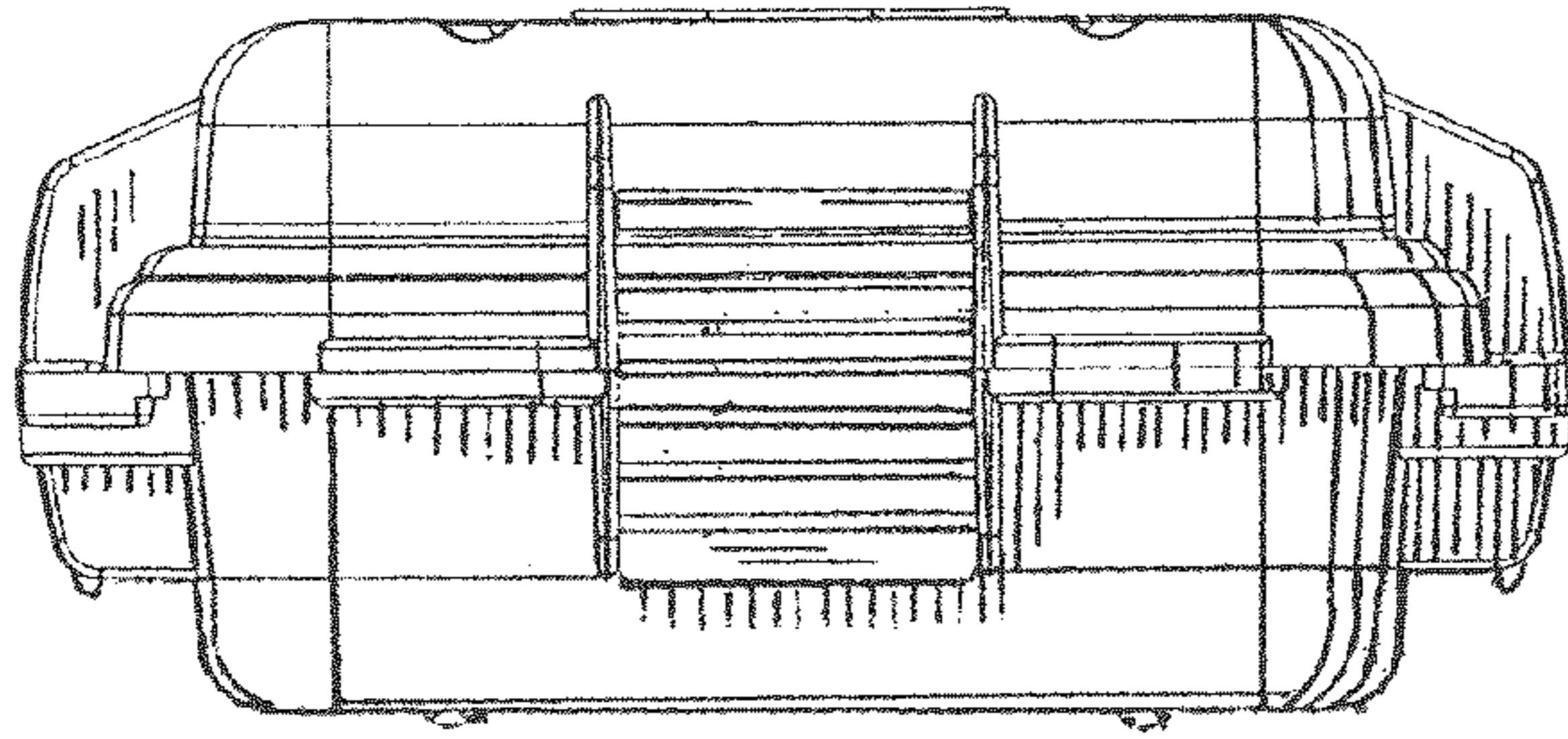


FIG-13

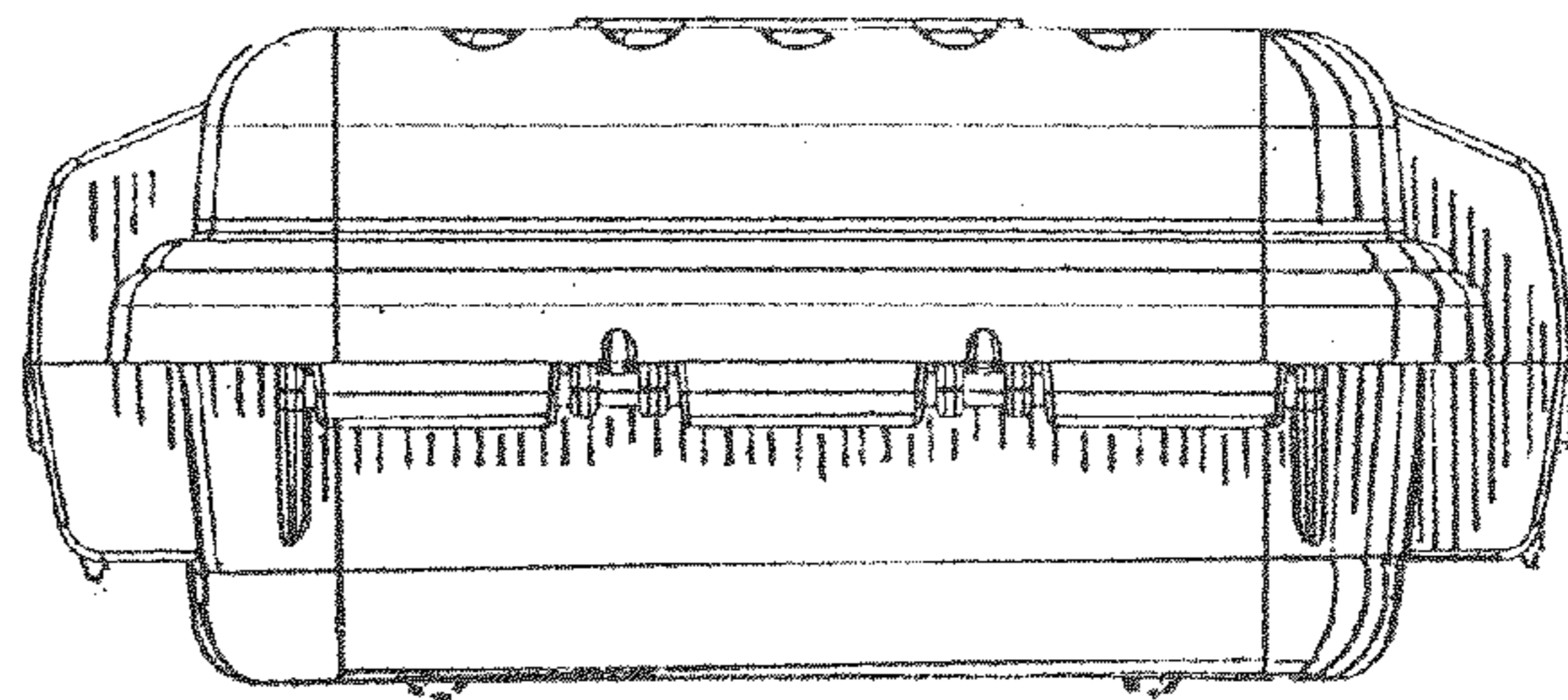


FIG-14

