



US00D629193S

(12) **United States Design Patent**
Liu

(10) **Patent No.:** **US D629,193 S**

(45) **Date of Patent:** **** Dec. 21, 2010**

(54) **PDA HOLSTER**

(75) Inventor: **Seung-Chu Liu**, Kowloon (HK)

(73) Assignee: **Fattafa Limited**, Kowloon (HK)

(**) Term: **14 Years**

(21) Appl. No.: **29/358,916**

(22) Filed: **Apr. 1, 2010**

(51) **LOC (9) Cl.** **03-01**

(52) **U.S. Cl.** **D3/218**

(58) **Field of Classification Search** D3/218,
D3/215, 219, 201; 224/196, 269, 666, 678,
224/930, 640, 646, 940; 379/446, 455; D14/253,
D14/250, 138; 455/575.1-578.8

See application file for complete search history.

(56) **References Cited**

U.S. PATENT DOCUMENTS

D346,275 S *	4/1994	Hayasaka et al.	D3/218
D348,355 S *	7/1994	Scheid et al.	D3/218
D351,280 S *	10/1994	Pennington et al.	D3/218
D357,577 S *	4/1995	Scheid	D3/218
6,176,401 B1 *	1/2001	Lim	379/446
D508,605 S *	8/2005	Hwang et al.	D3/218
D594,224 S *	6/2009	Leung et al.	D3/218

* cited by examiner

Primary Examiner—Catherine R Oliver

(74) *Attorney, Agent, or Firm*—Law Office of Sergei Orel, LLC

(57) **CLAIM**

The ornamental design for a PDA holster, as shown and described.

DESCRIPTION

FIG. 1 is a front view of the PDA holster showing my new design;

FIG. 2 is a side view thereof;

FIG. 3 is a rear view thereof;

FIG. 4 is an opposite side view thereof;

FIG. 5 is a top view thereof;

FIG. 6 is a bottom view thereof;

FIG. 7 is a perspective front view thereof;

FIG. 8 is a perspective rear view thereof;

FIG. 9 is a perspective view thereof with the clip turned 90 degrees to the right;

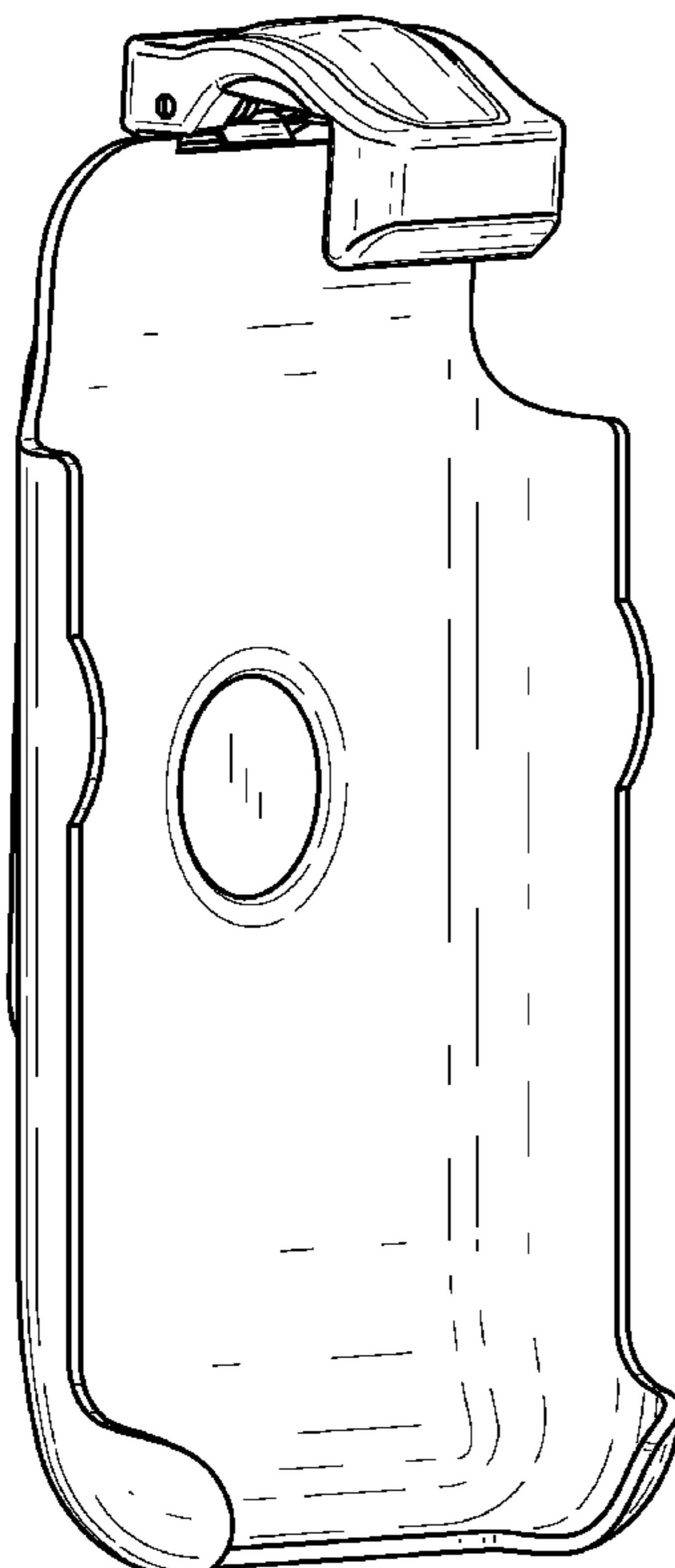
FIG. 10 is a perspective view thereof with the clip opened and turned 90 degrees to the right;

FIG. 11 is a perspective view thereof in a disassembled state;

FIG. 12 is a perspective exploded view thereof in disassembled state with disassembled parts; and,

FIG. 13 is a section exploded view of the central aperture element in the center of said PDA holster.

1 Claim, 10 Drawing Sheets



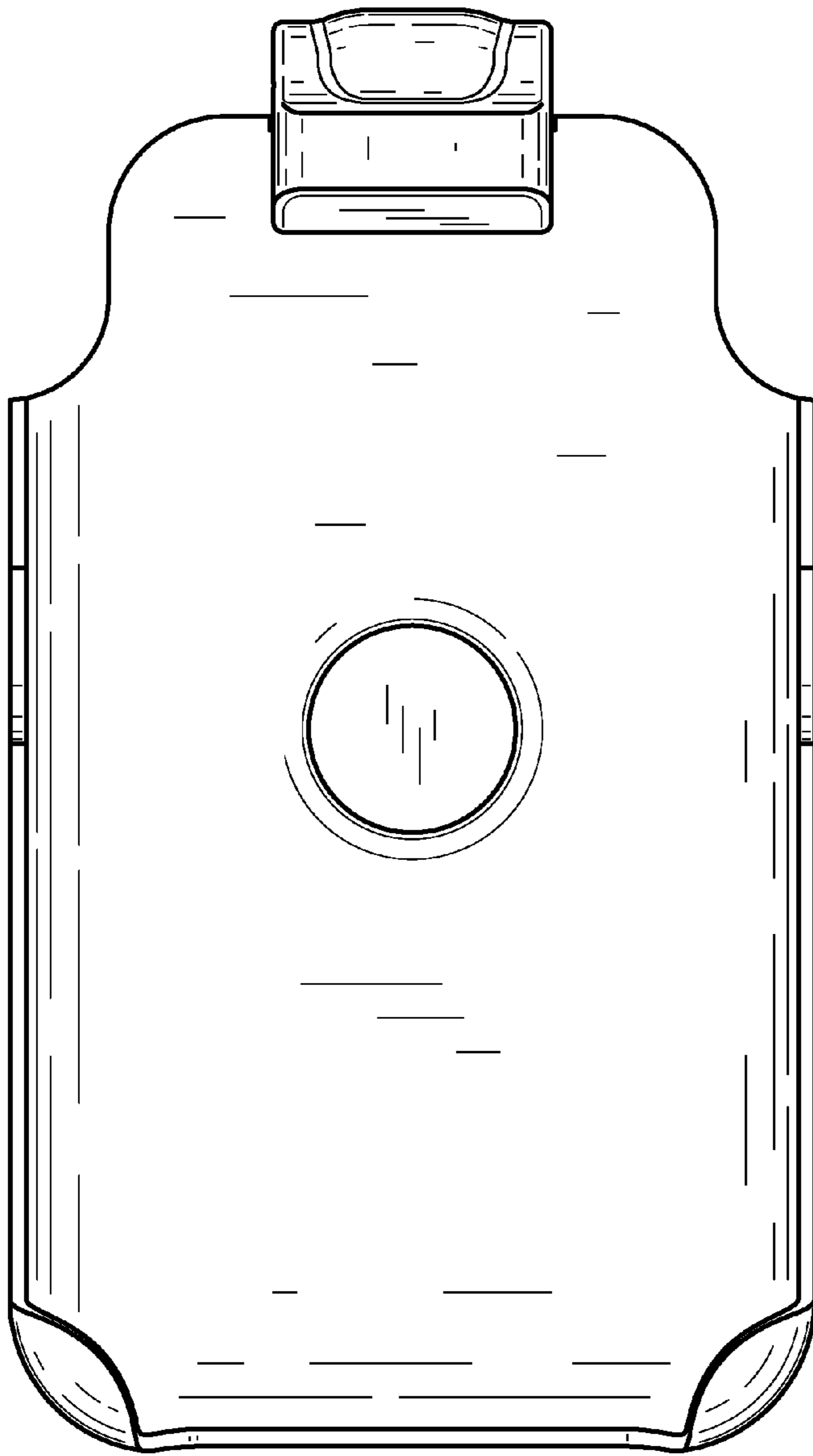


Fig.1

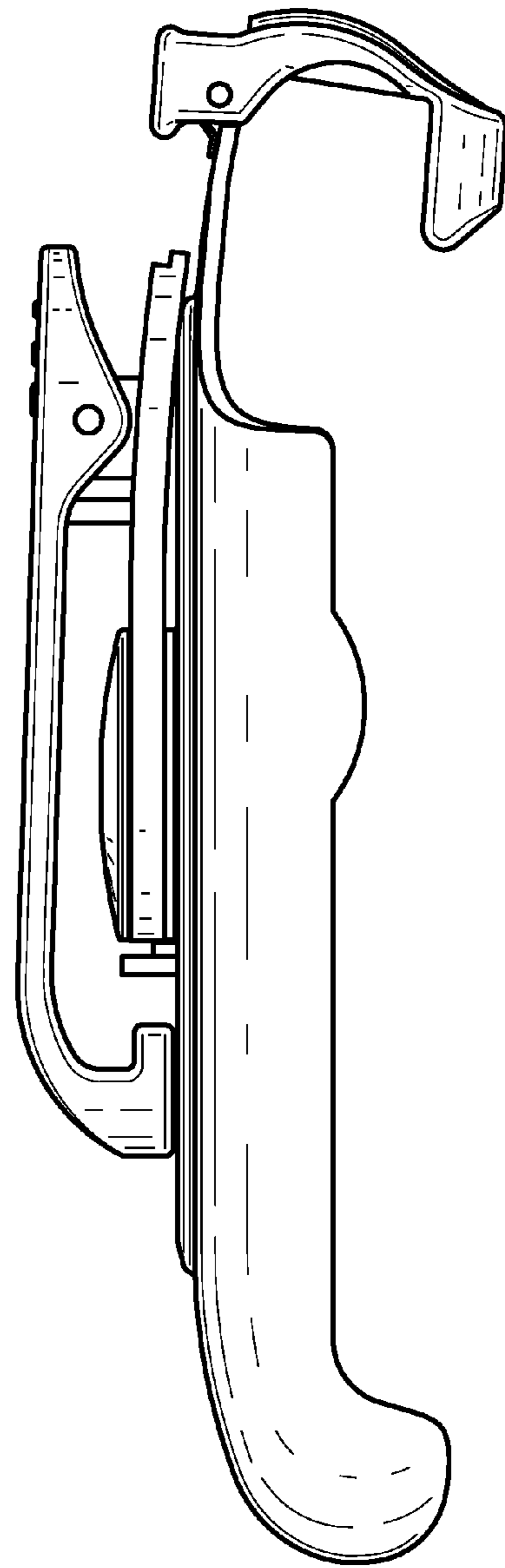


Fig.2

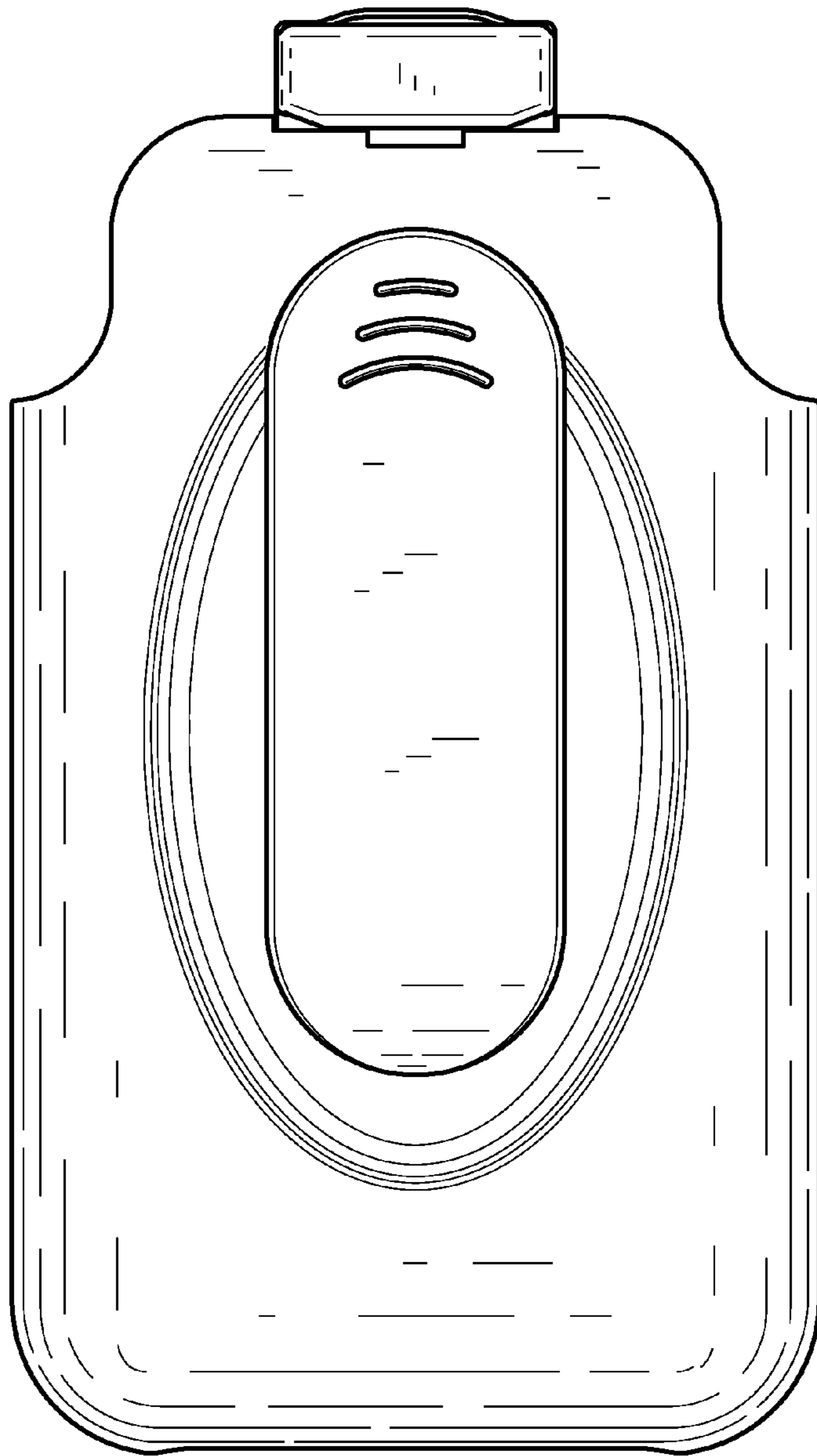


Fig.3

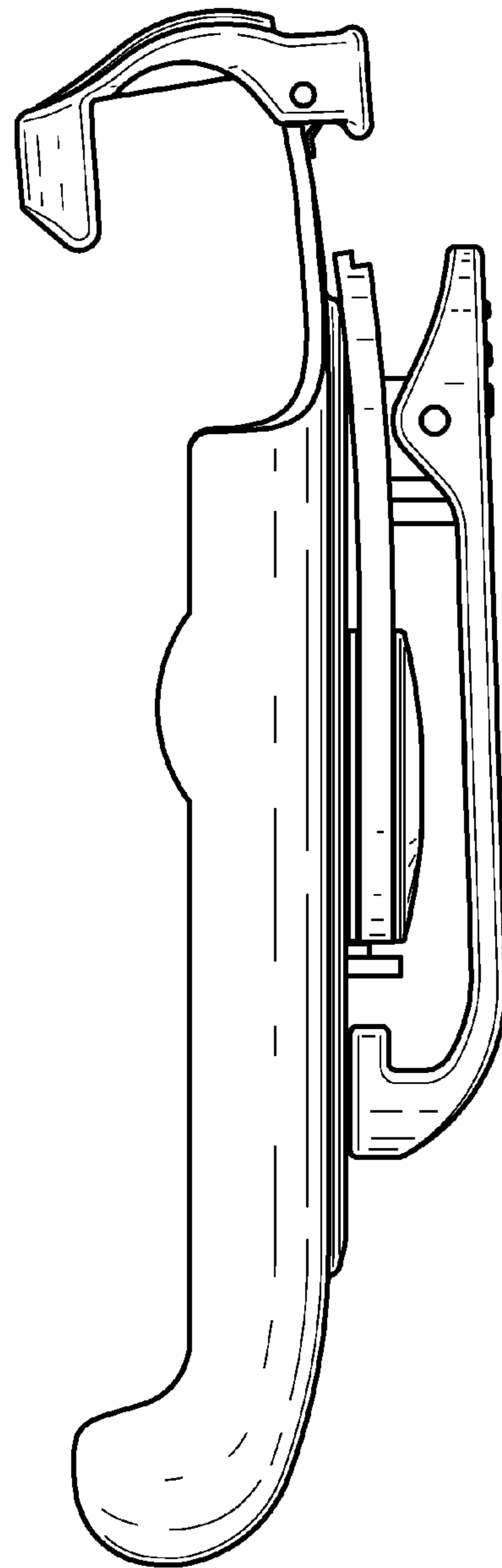


Fig.4

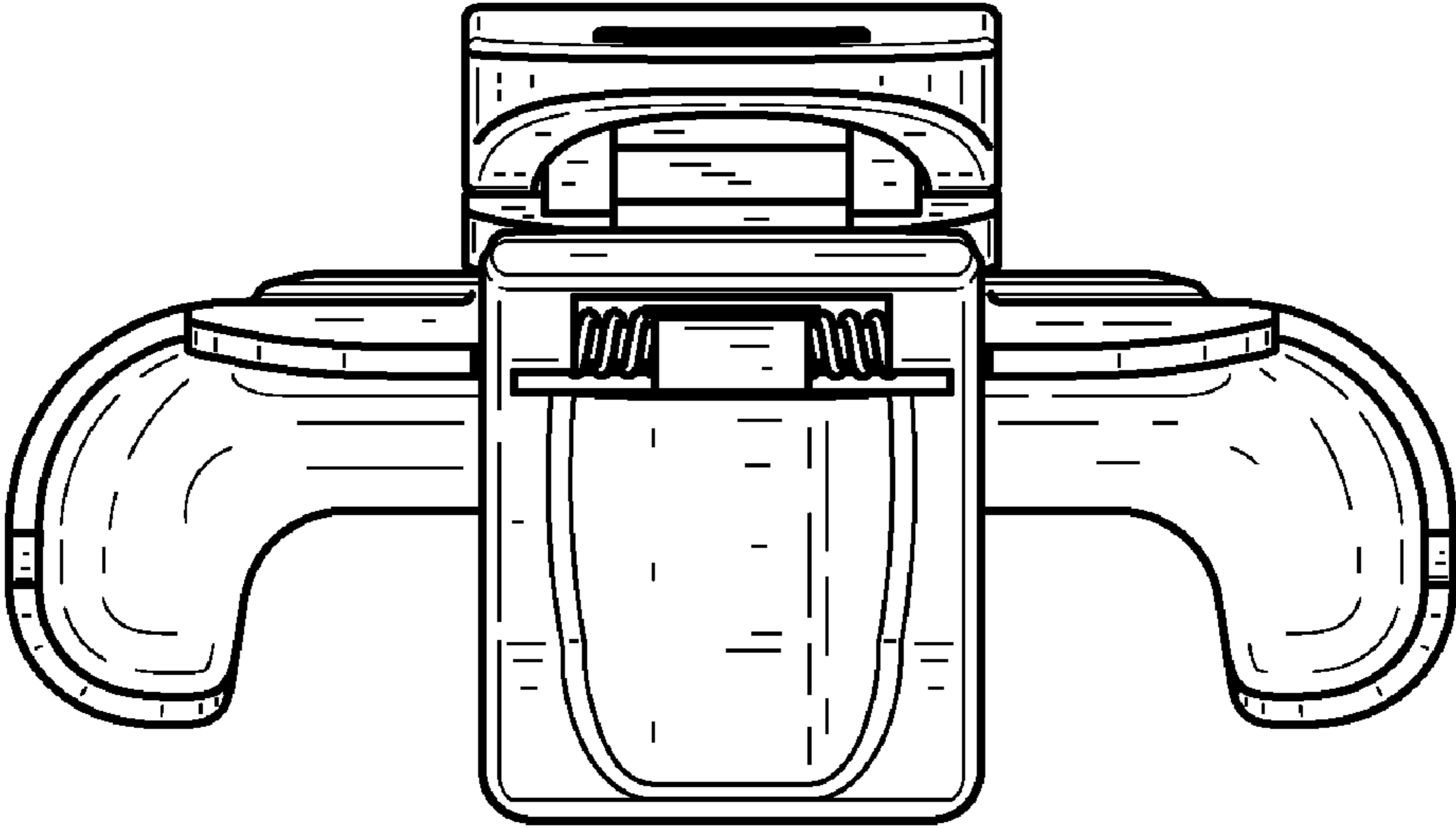


Fig.5

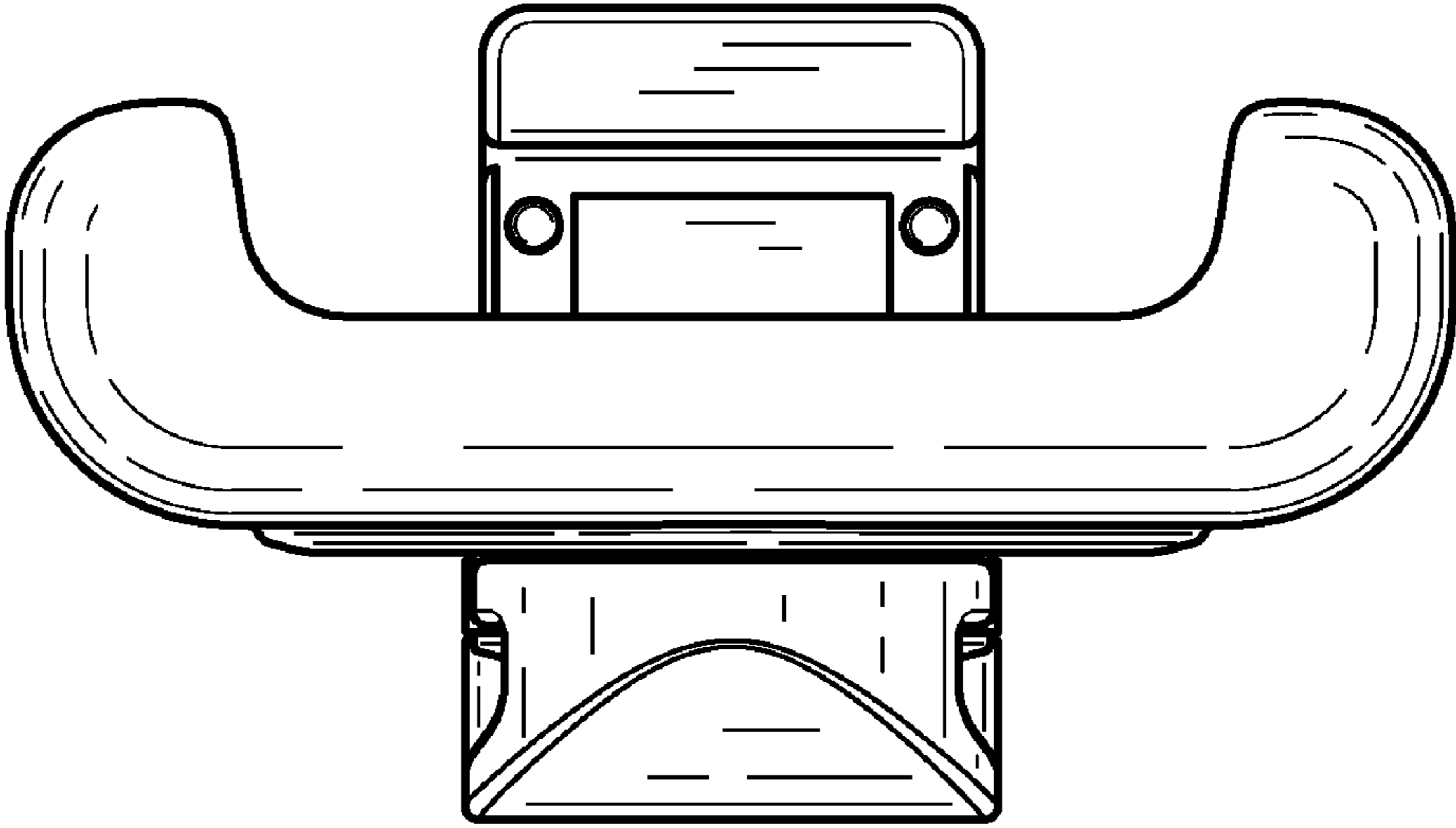


Fig.6

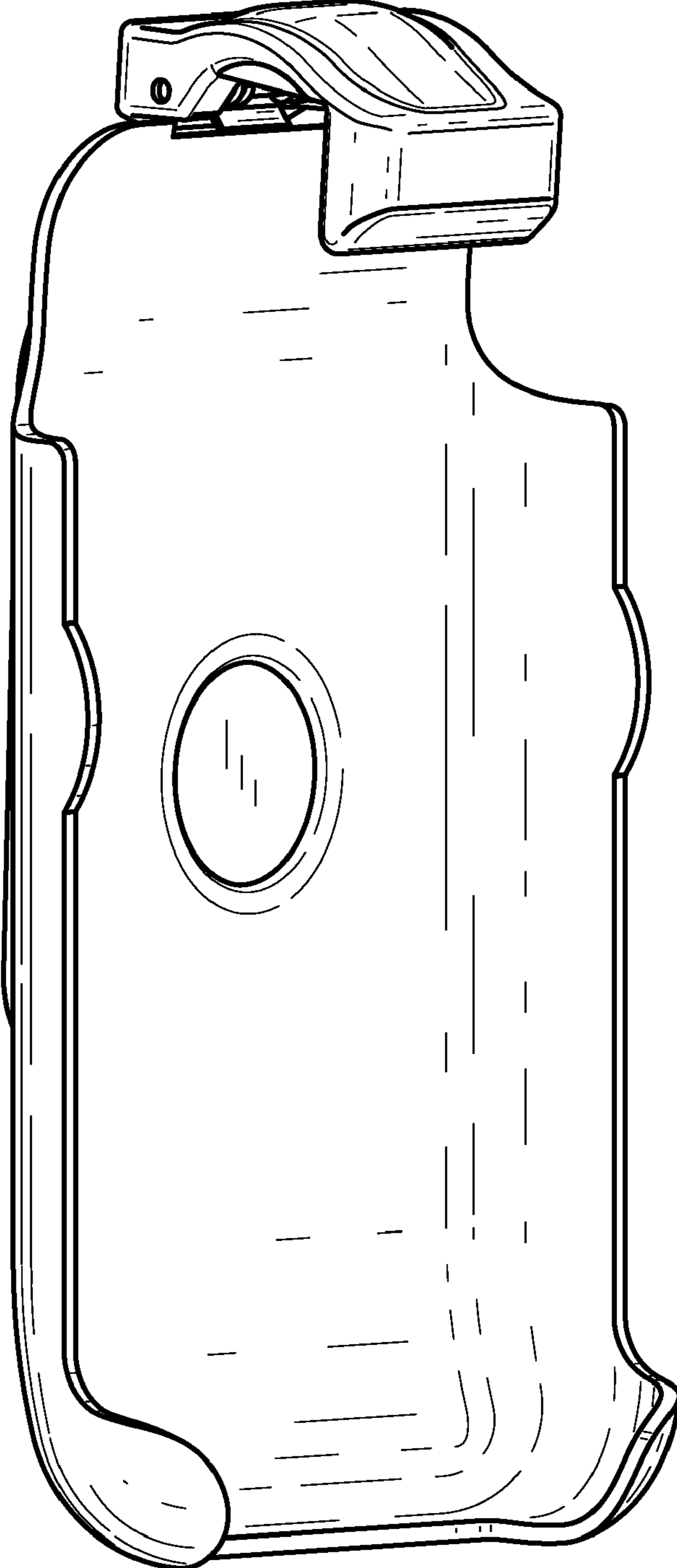


Fig.7

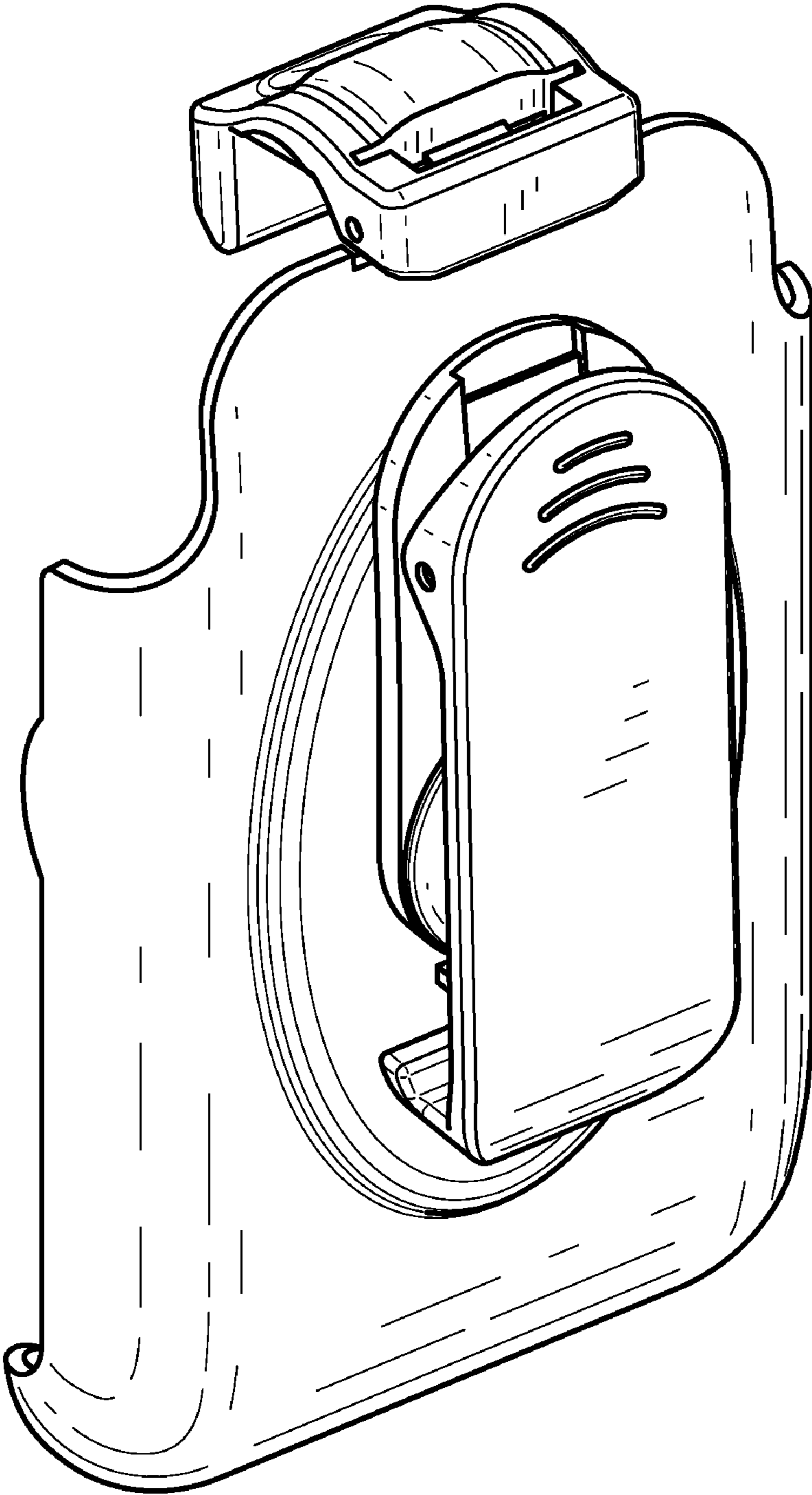


Fig.8

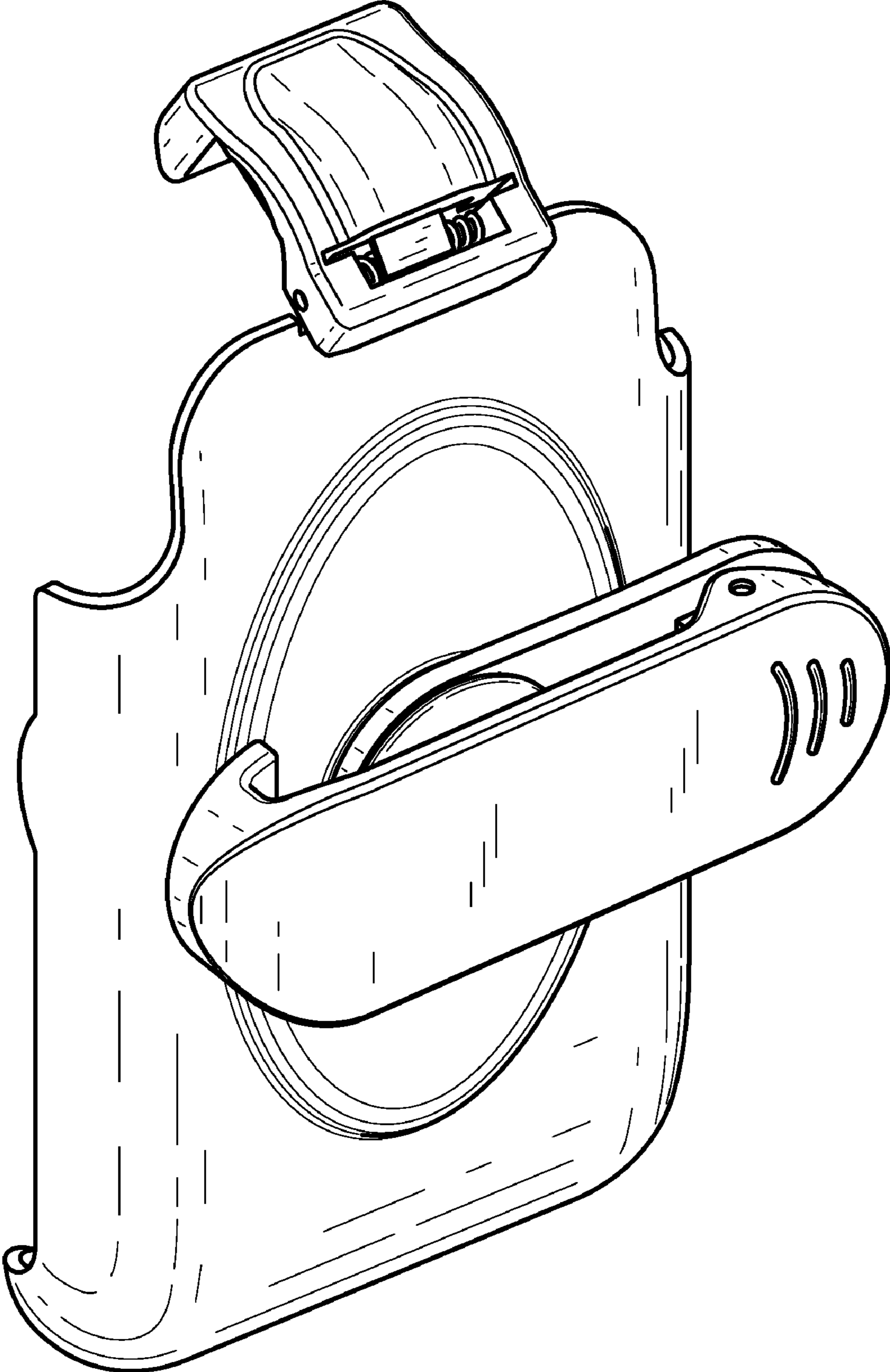


Fig.9

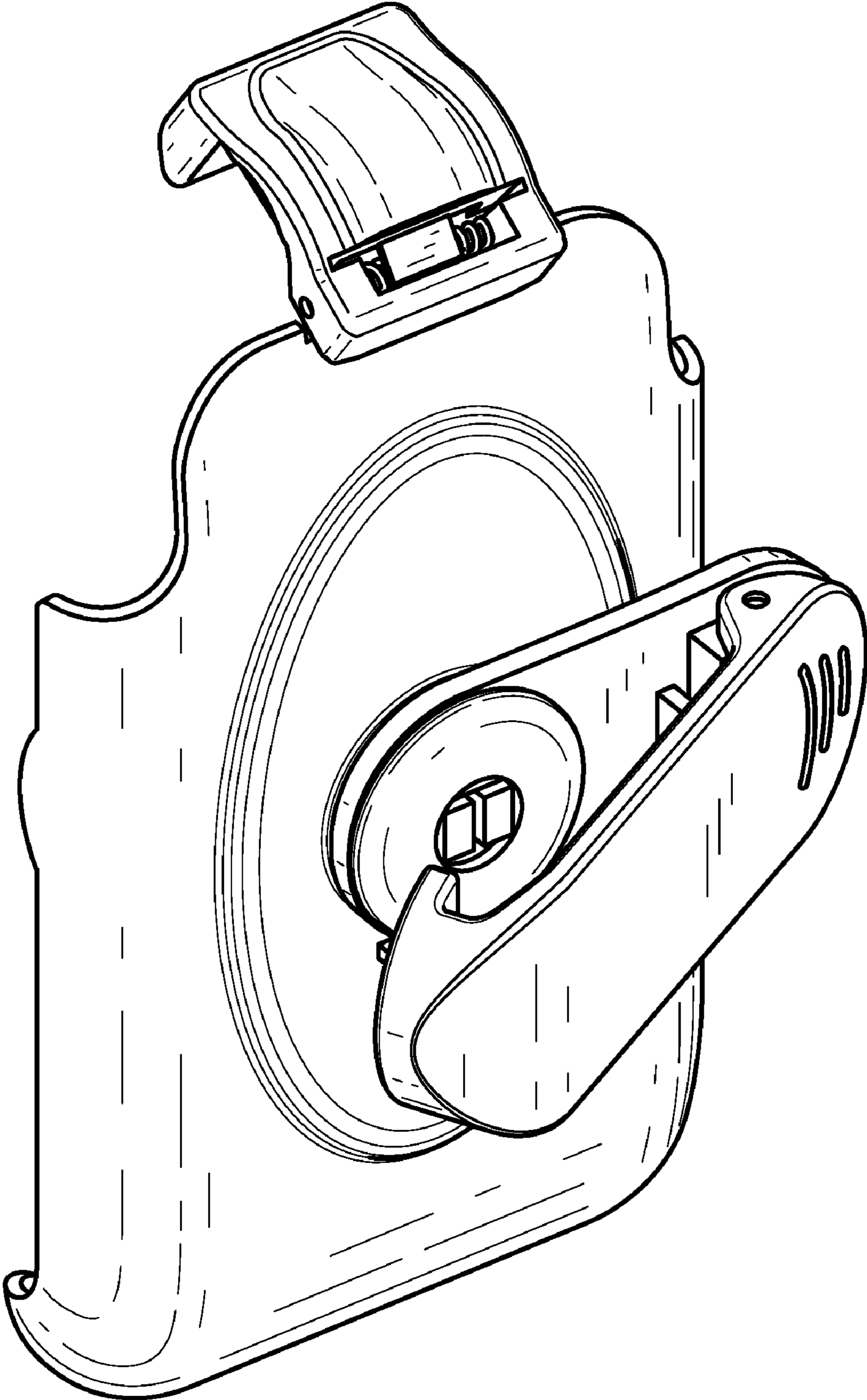


Fig.10

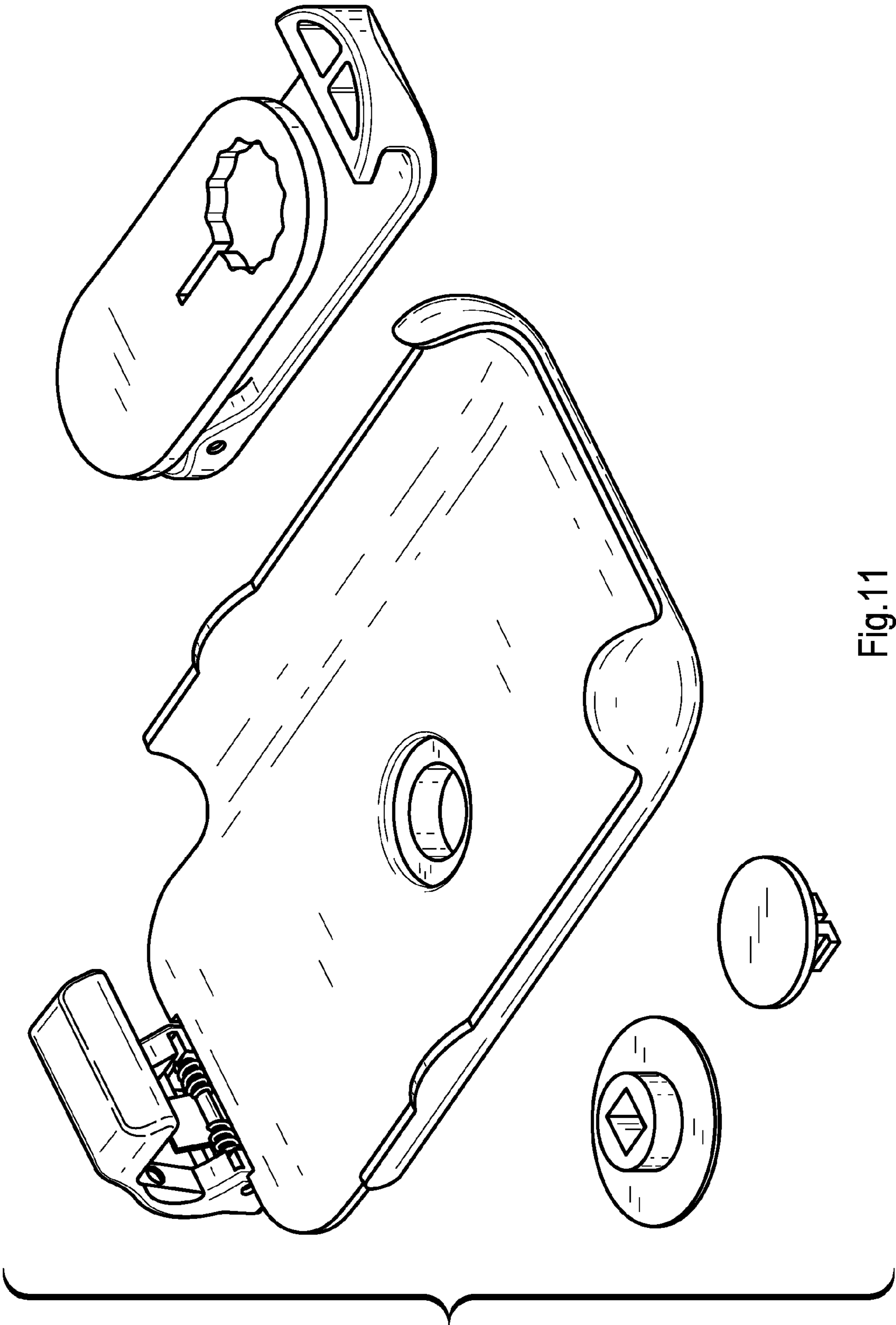


Fig.11

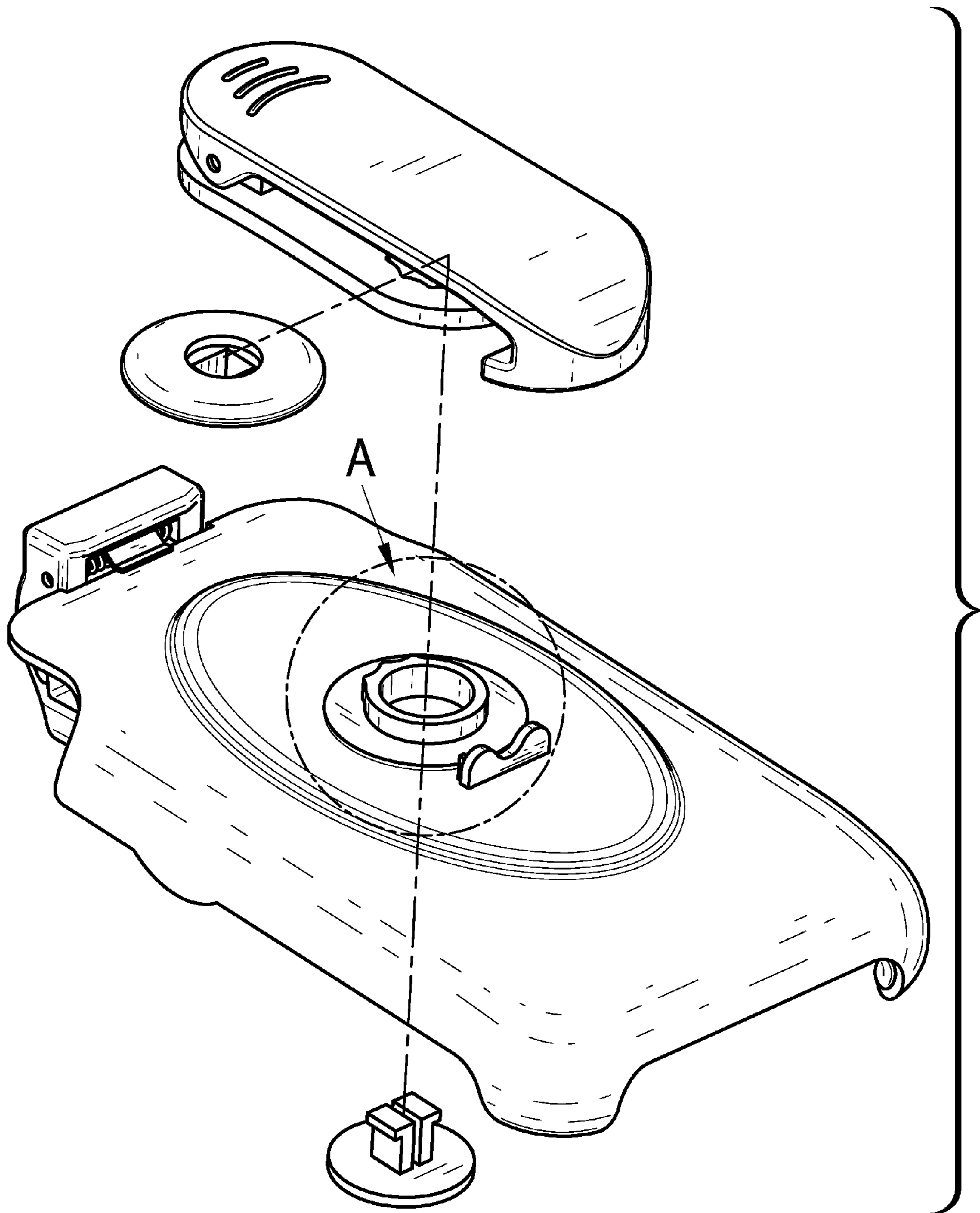


Fig.12

A

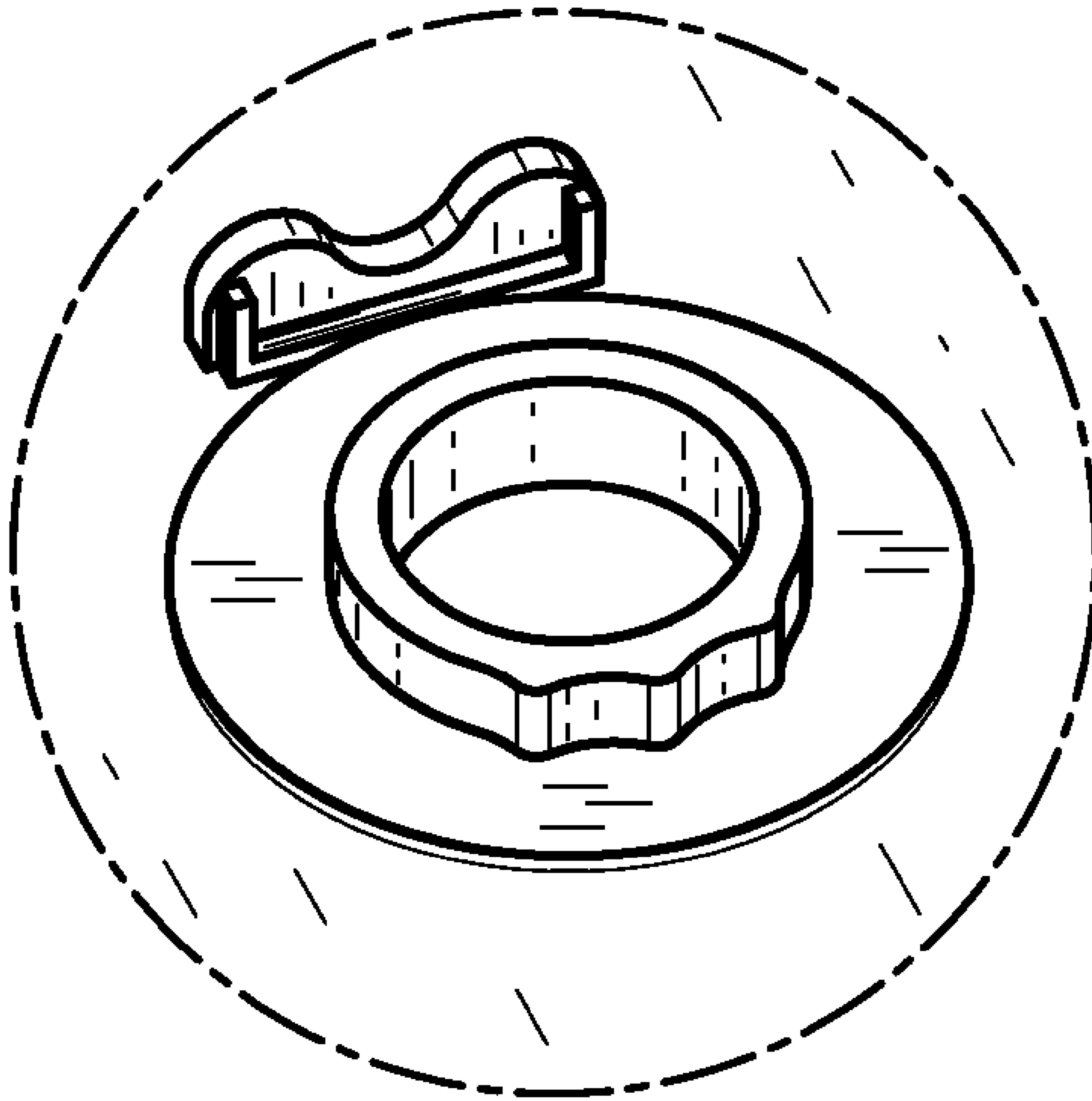


Fig.13