



US00D629188S

(12) **United States Design Patent**
Butler

(10) **Patent No.:** **US D629,188 S**

(45) **Date of Patent:** **** Dec. 21, 2010**

(54) **FLEECE HEEL PORTION**

(75) Inventor: **Damon R. Butler**, Portland, OR (US)

(73) Assignee: **Deckers Outdoor Corporation**, Goleta, CA (US)

(**) Term: **14 Years**

(21) Appl. No.: **29/337,044**

(22) Filed: **May 14, 2009**

(51) **LOC (9) Cl.** **02-99**

(52) **U.S. Cl.** **D2/964; D2/946; D2/972**

(58) **Field of Classification Search** **D2/896,**
D2/902, 906-908, 943, 944, 946, 969, 972-974;
36/45-49, 50.1, 77 M, 77 R, 83, 88, 113,
36/114, 126-131

See application file for complete search history.

(56) **References Cited**

U.S. PATENT DOCUMENTS

237,667	A	2/1881	Beattie	
1,852,422	A	4/1932	Lawson	
2,061,540	A	11/1936	MacDonald et al.	
2,211,822	A	8/1940	Jennings	
3,020,169	A	2/1962	Phillips, Jr. et al.	
D604,484	S *	11/2009	Lauro et al.	D2/946
D619,348	S *	7/2010	Schwartz et al.	D2/973
D620,690	S *	8/2010	Banik et al.	D2/946

OTHER PUBLICATIONS

NPL1-NPL3: UGG Australia catalog, year 2000, p. 18, Byron and Shelby models.

NPL4-NPL5: UGG Australia catalog, year 1990, p. 3, Uggciter model.

NPL6-NPL8: UGG Austrlia catalog, year 1993, pp. 2 & 5, Nullabor and Yarra models.

NPL9-NPL10: UGG Australia catalog, year 1994, p. 4, Park, Madison and Fifth models.

NPL11-NPL12: UGG Australia catalog, year 1995, p. 13, Park, Madison and Fifth models.

NPL 13-NPL14: UGG Australia catalog, year 1998, p. 14, Abbey and Kensington models.

* cited by examiner

Primary Examiner—Dominic Simone

(74) *Attorney, Agent, or Firm*—Greer, Burns & Crain, Ltd.

(57) **CLAIM**

The ornamental design for a fleece heel portion, as shown and described.

DESCRIPTION

FIG. 1 is a perspective view of a fleece heel portion showing my new design;

FIG. 2 is a perspective view of the fleece heel portion;

FIG. 3 is a side view thereof;

FIG. 4 is a top view thereof;

FIG. 5 is a rear view thereof;

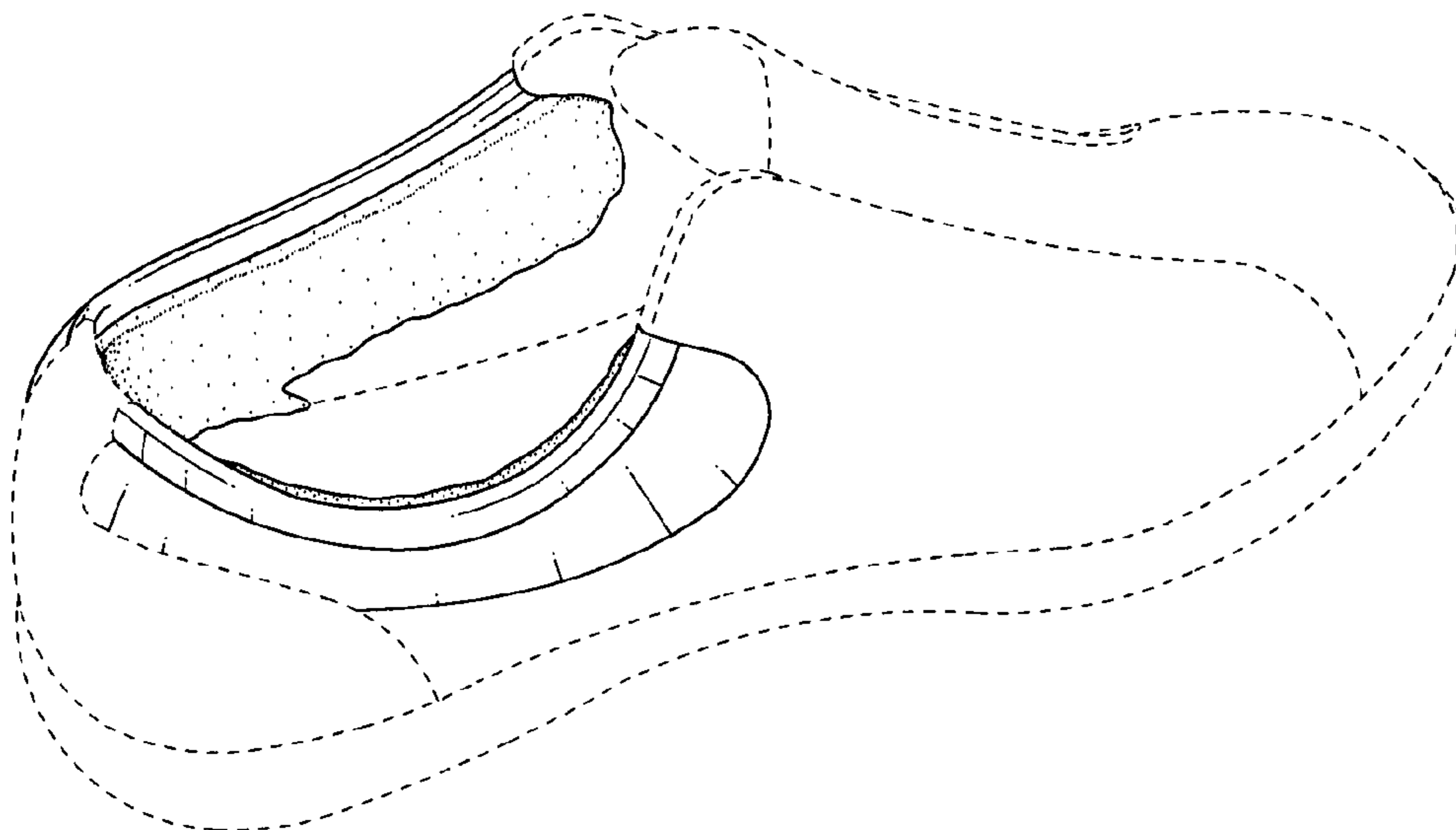
FIG. 6 is a front view thereof;

FIG. 7 is a side view thereof; and,

FIG. 8 is a bottom view thereof.

Broken-lines in FIG. 1 showing an article of footwear indicate the environment of the claimed design. Broken-lines in FIGS. 1-8 represent portions of the footwear that partially cover the exterior of the claimed fleece heel portion. None of the broken lines or the areas within them forms any part of the claim.

1 Claim, 4 Drawing Sheets



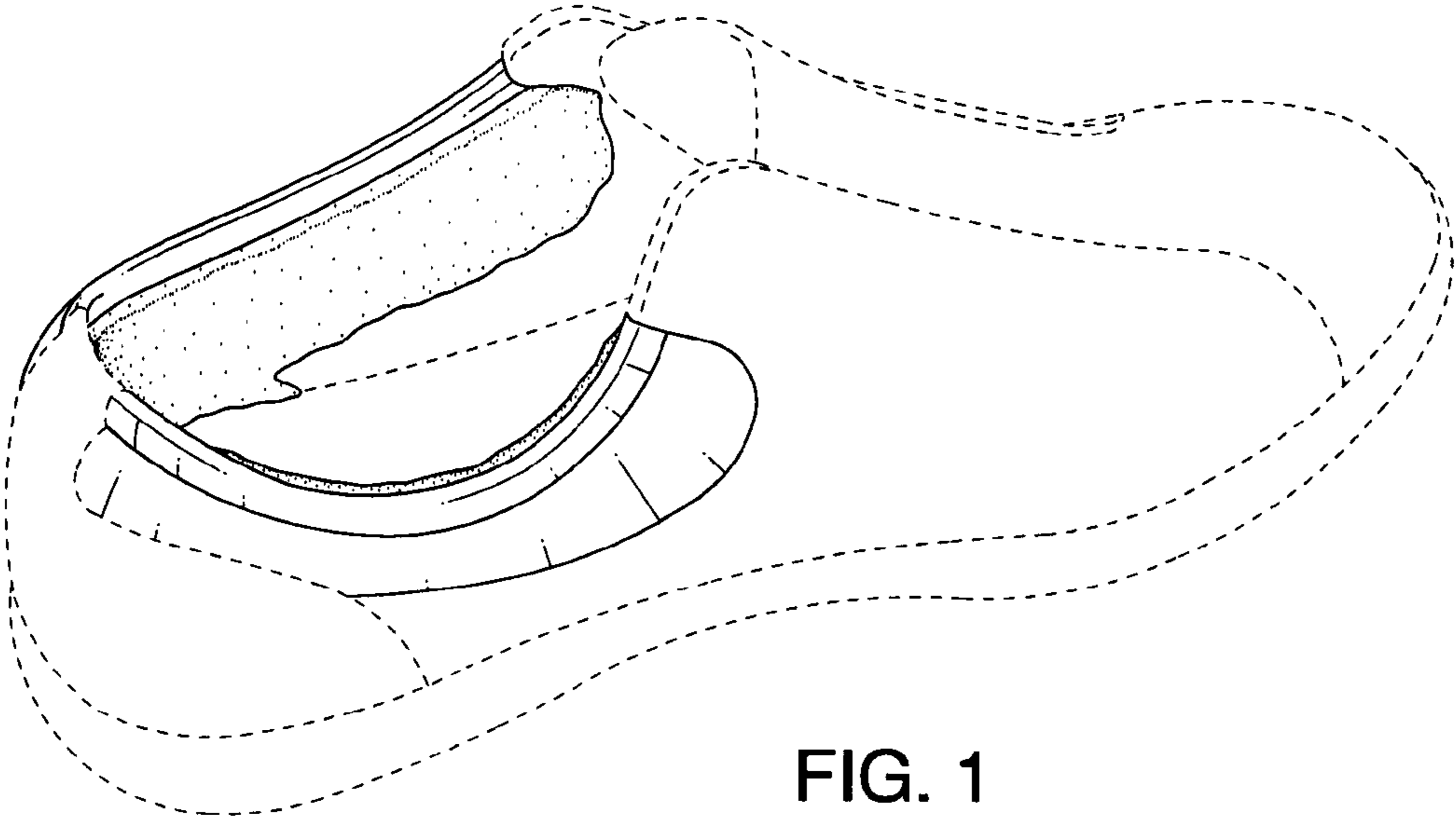


FIG. 1

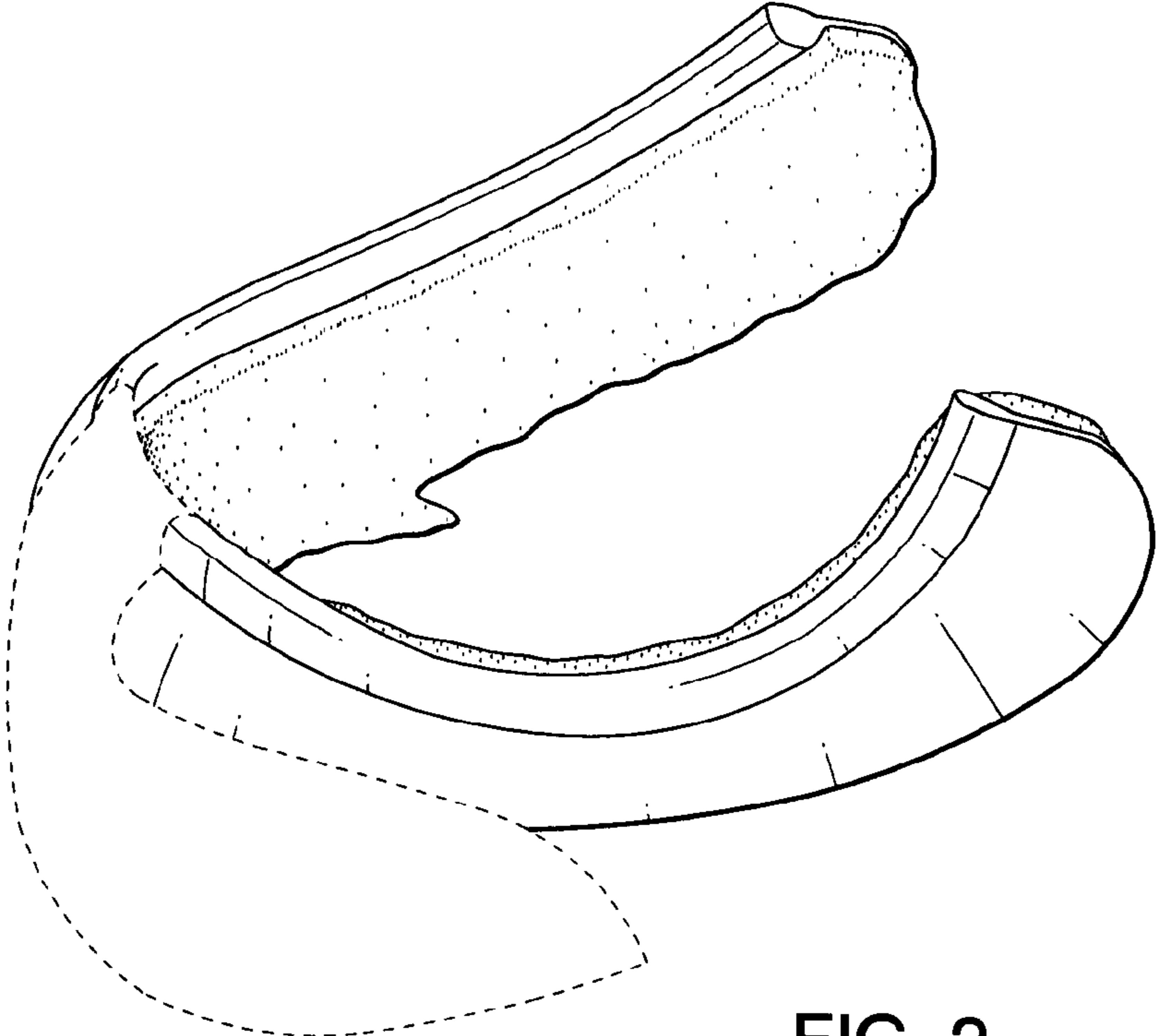


FIG. 2

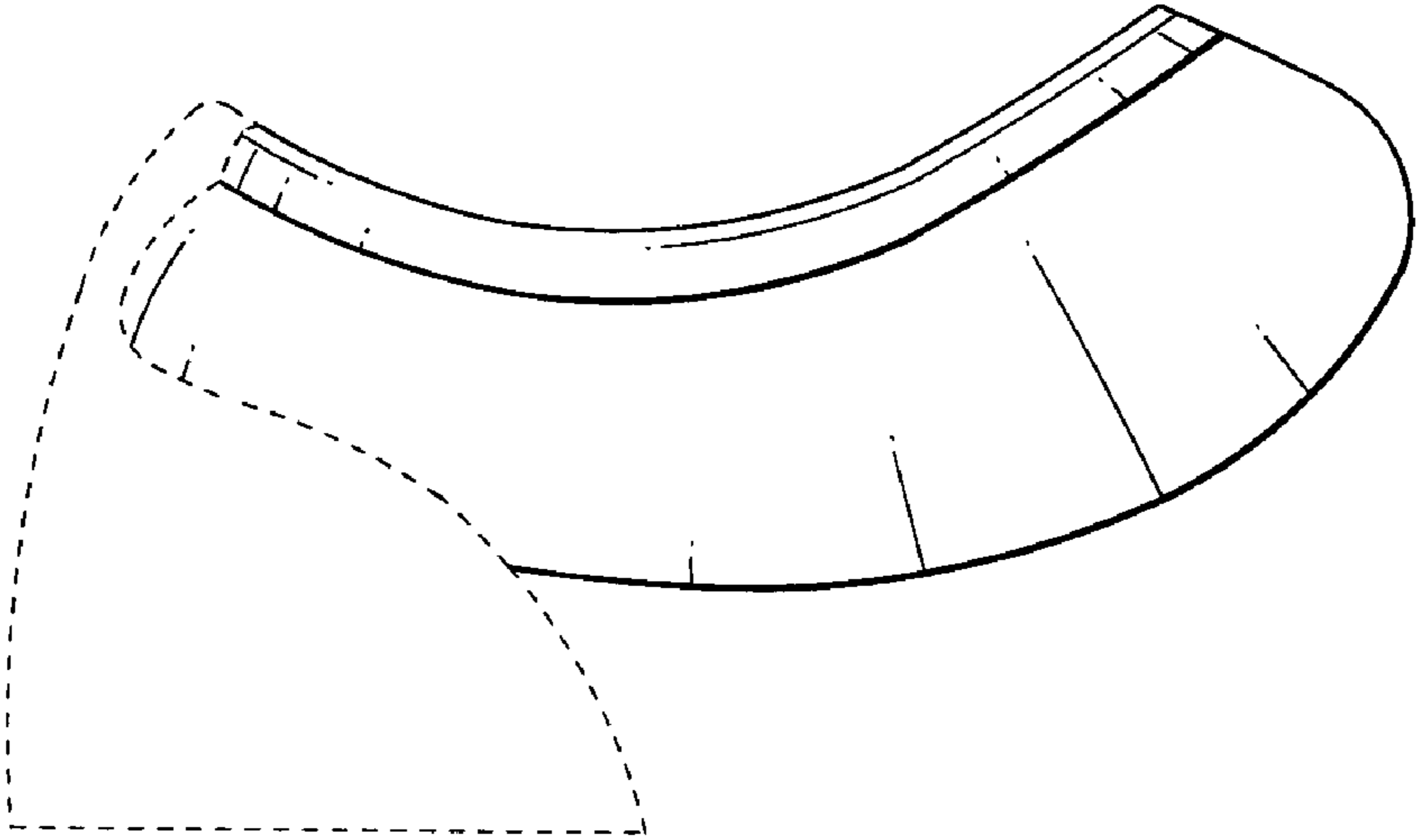


FIG. 3

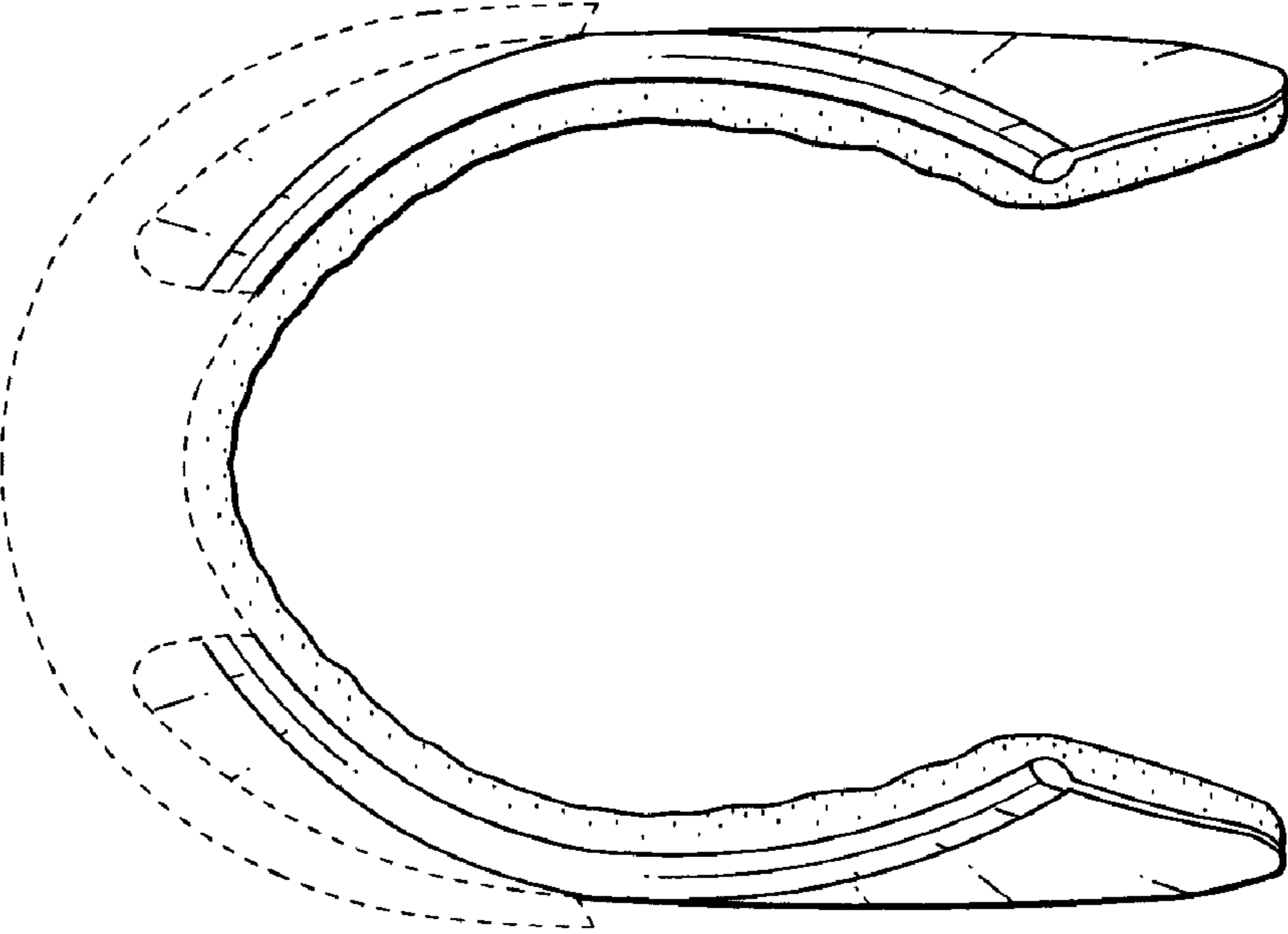


FIG. 4

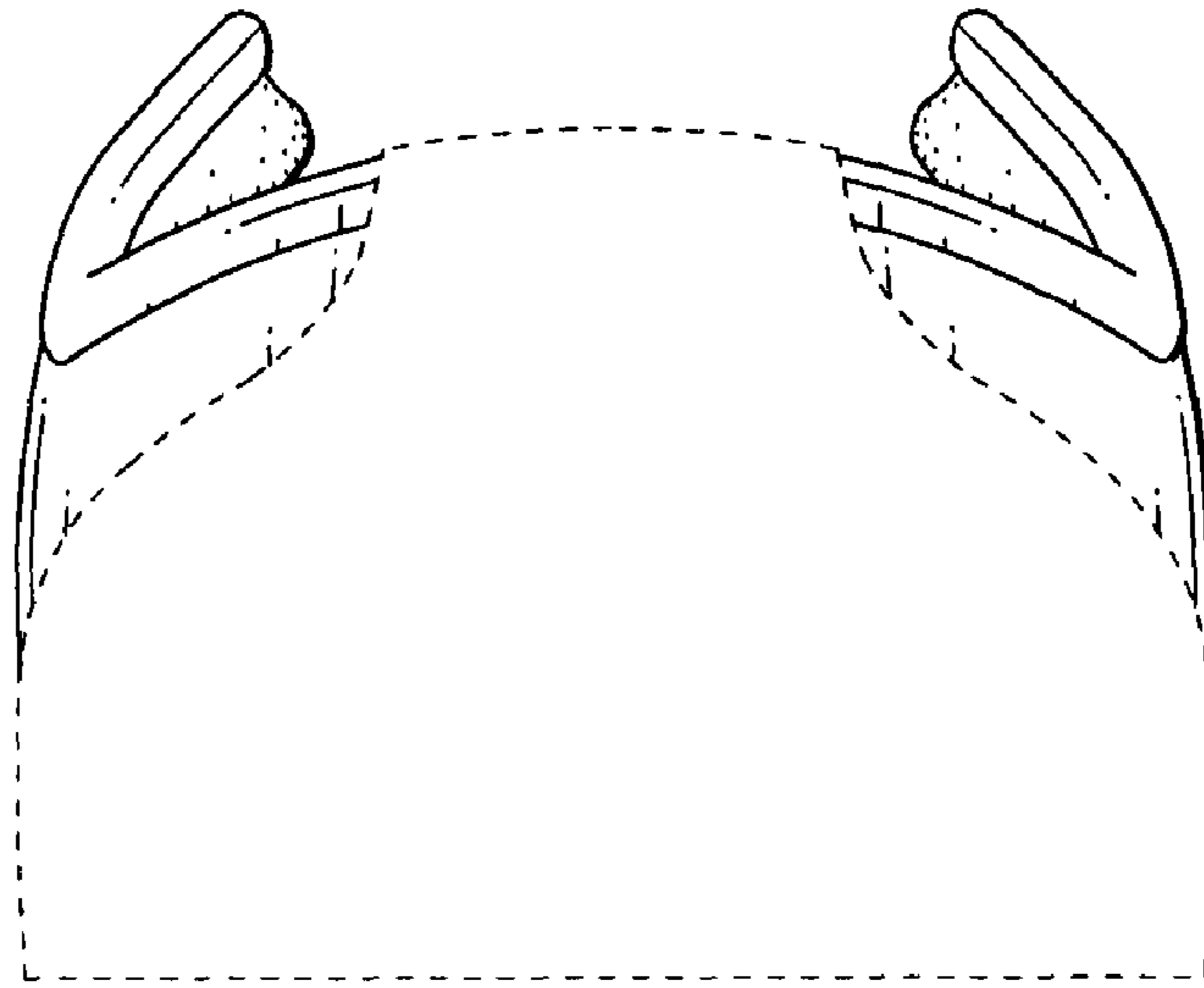


FIG. 5

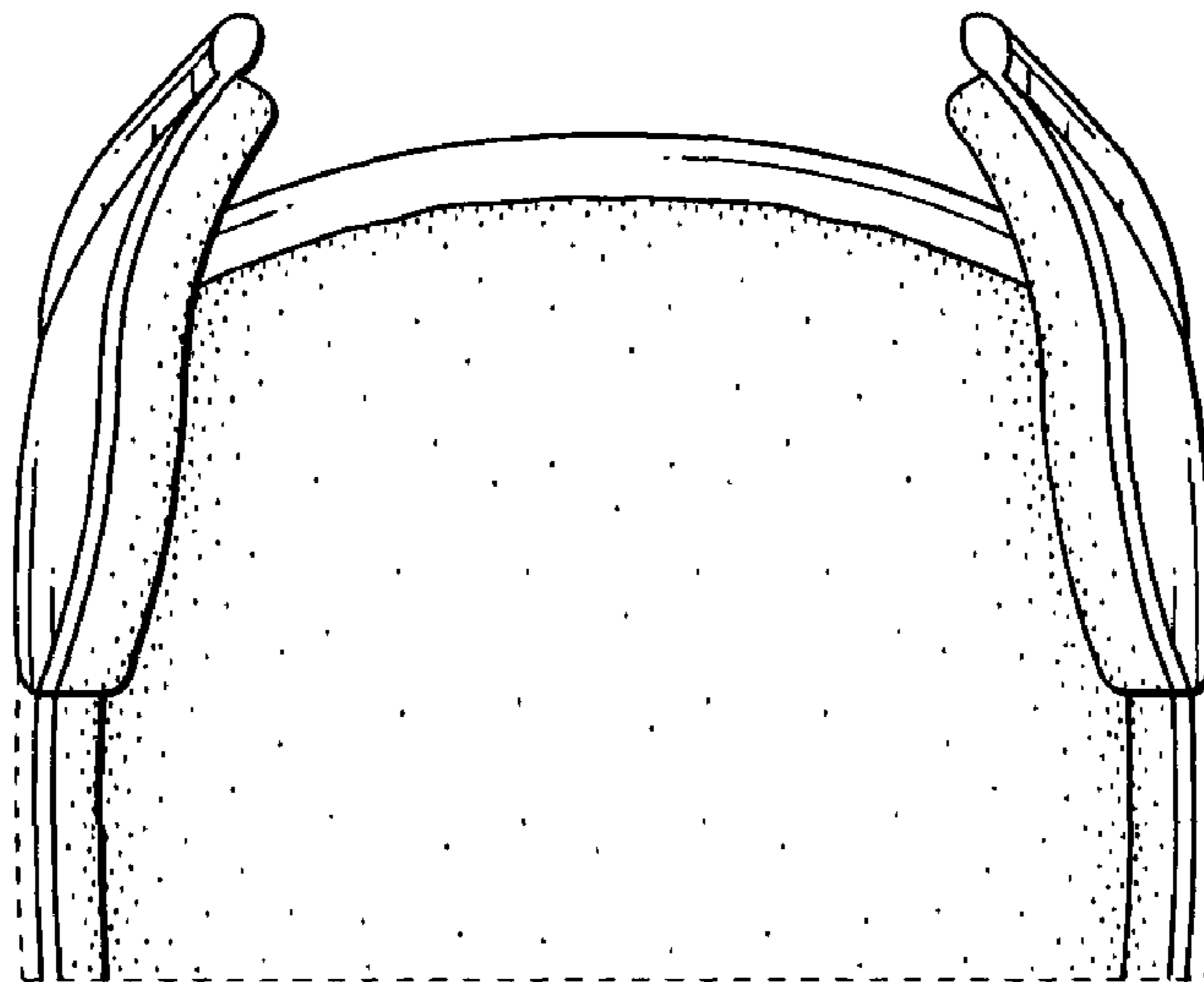


FIG. 6

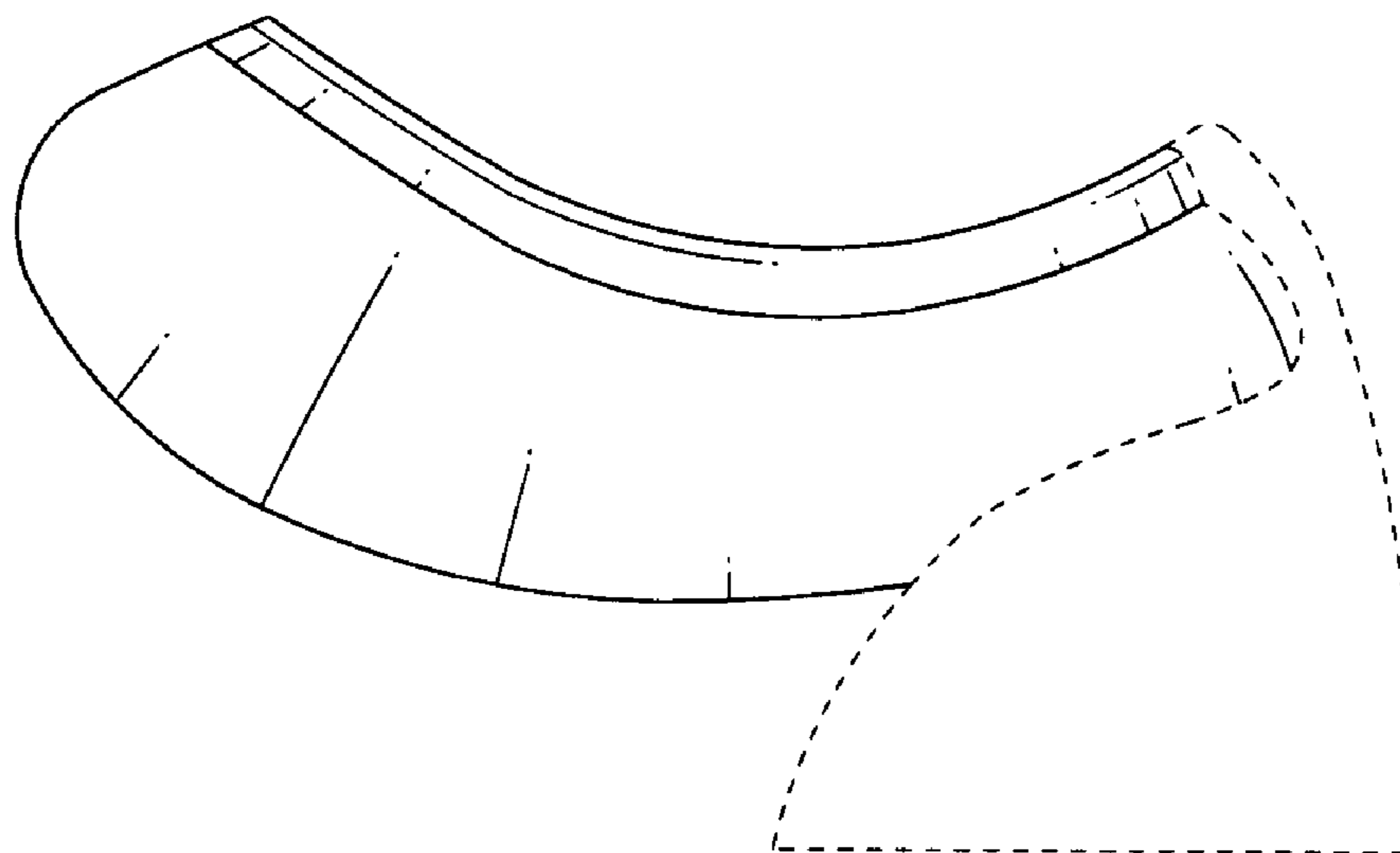


FIG. 7

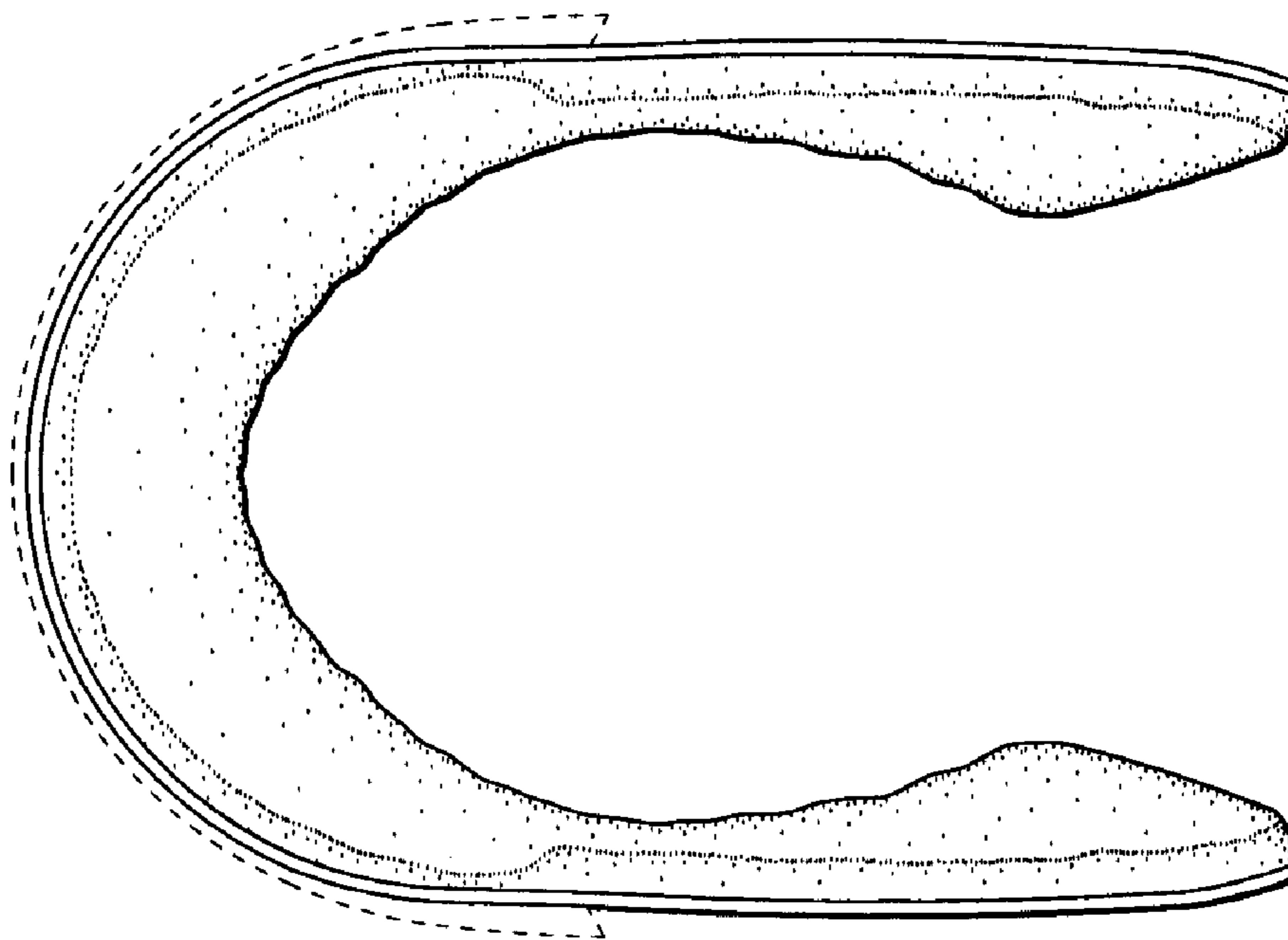


FIG. 8