



US00D629181S

(12) **United States Design Patent**
Miranda

(10) **Patent No.:** **US D629,181 S**

(45) **Date of Patent:** **** Dec. 21, 2010**

(54) **HAIR DRYING WRAP**

(76) Inventor: **Nicholas R. Miranda**, 150 Jensen Hills Dr., Fenton, MO (US) 63026

(**) Term: **14 Years**

(21) Appl. No.: **29/315,738**

(22) Filed: **Jul. 20, 2009**

(51) **LOC (9) Cl.** **02-03**

(52) **U.S. Cl.** **D2/881**

(58) **Field of Classification Search** D2/865, D2/866, 871, 874, 875, 877, 883, 884, 891, D2/894; D24/191; D28/41; 2/171, 174, 2/181, 181.2, 181.4, 181.6, 181.8, 182.1, 2/182.2, 182.3, 182.4, 182.5, 182.6, 182.7, 2/182.8, 207, DIG. 11; 132/274

See application file for complete search history.

(56) **References Cited**

U.S. PATENT DOCUMENTS

1,656,734	A *	1/1928	Kanner et al.	132/59
2,994,090	A *	8/1961	Ostwald	2/182.1
3,088,119	A *	5/1963	Grant	2/207
3,131,400	A *	5/1964	Blanchard et al.	2/68
3,921,626	A *	11/1975	Neel	602/18
4,394,782	A *	7/1983	Wasson	2/181
4,665,566	A *	5/1987	Garrow	2/171
5,377,360	A *	1/1995	Fleitman	2/181
5,454,120	A *	10/1995	Rowlands	2/195.1
D383,846	S *	9/1997	Goldstein	D24/190
D392,443	S *	3/1998	Preddy	D2/894
5,806,535	A *	9/1998	Becker	132/54
5,963,989	A *	10/1999	Robertson	2/411
6,000,062	A *	12/1999	Trakh	2/171
6,567,991	B1 *	5/2003	Holslag et al.	2/181.4
6,567,993	B2 *	5/2003	Robertson	2/411

6,625,820	B1 *	9/2003	Lampe	2/425
D485,969	S *	2/2004	Wade	D2/894
D519,639	S *	4/2006	Follman	D24/191
D582,635	S *	12/2008	Halley-Schamp	D2/881
2009/0235945	A1 *	9/2009	Eaton	132/105

* cited by examiner

Primary Examiner—Elizabeth A Albert
Assistant Examiner—Karen E Eldridge Powers
(74) *Attorney, Agent, or Firm*—Kevin L. Klug

(57) **CLAIM**

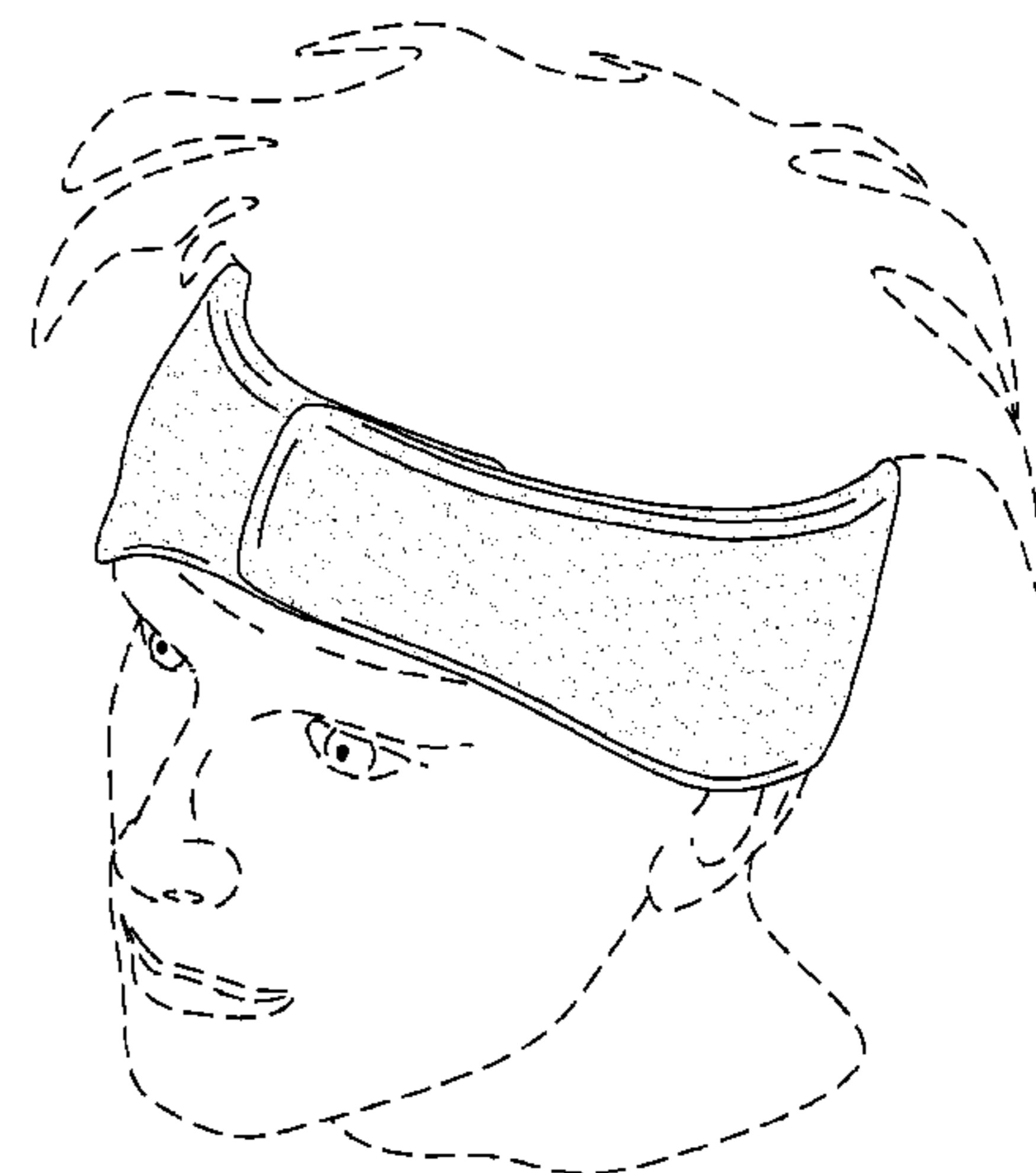
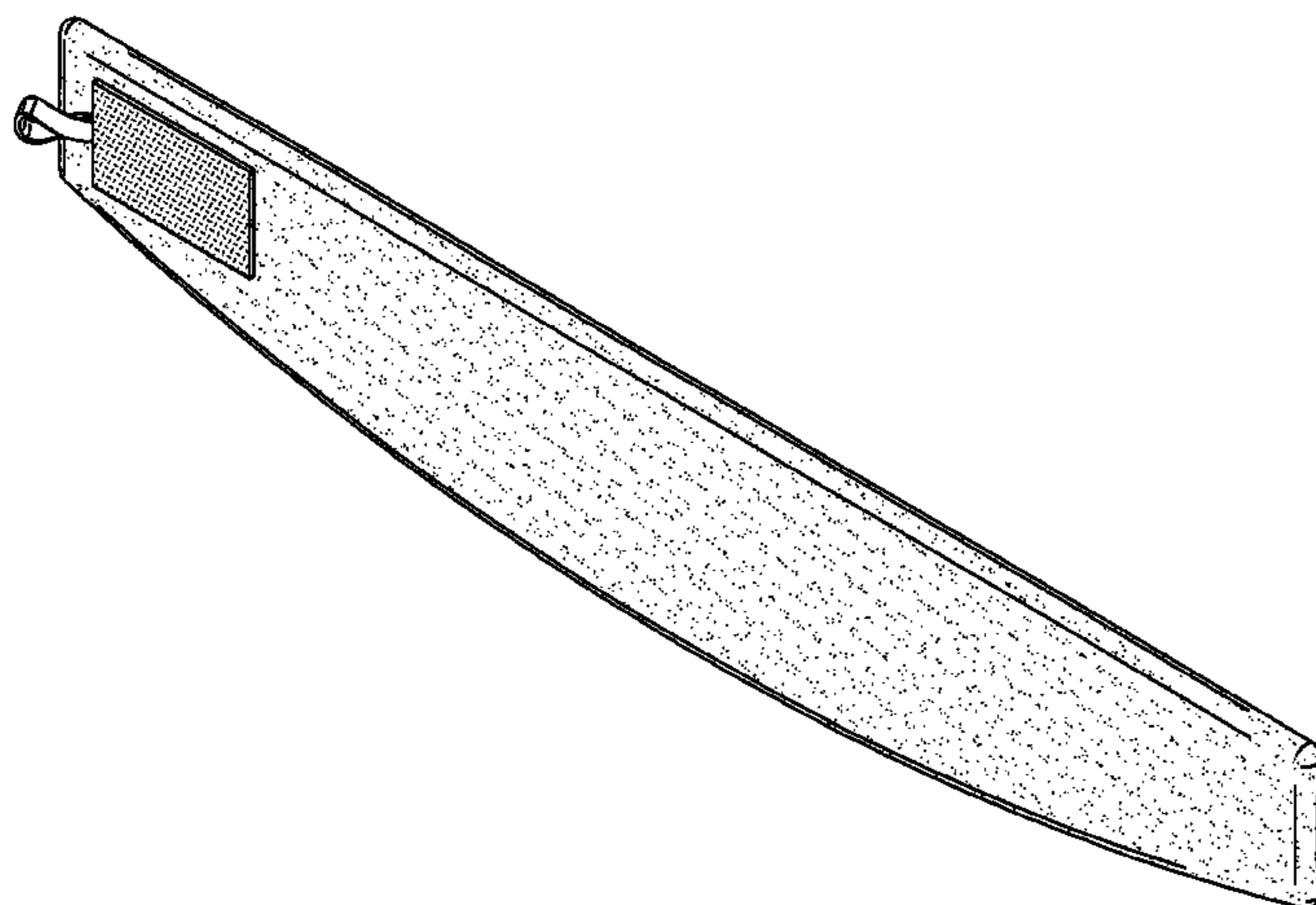
The ornamental design for a hair drying wrap, as shown and described.

DESCRIPTION

FIG. 1 is a front right perspective view of a hair drying wrap; FIG. 2 is a rear right perspective view thereof; FIG. 3 is a front elevation view thereof; FIG. 4 is a rear elevation view thereof; FIG. 5 is a left side elevation view thereof; FIG. 6 is a right side elevation view thereof; FIG. 7 is a top plan view thereof; FIG. 8 is a bottom plan view thereof; FIG. 9 is a front perspective view of the design of FIGS. 1-8 while being worn; and, FIG. 10 is a rear perspective view thereof.

The broken lines showing a person's head and neck in FIGS. 9 and 10 illustrate the environment in which the design is used and form no part of the claimed design. The stippling shown in the drawings represents a texture on the surface of the claimed design.

1 Claim, 7 Drawing Sheets



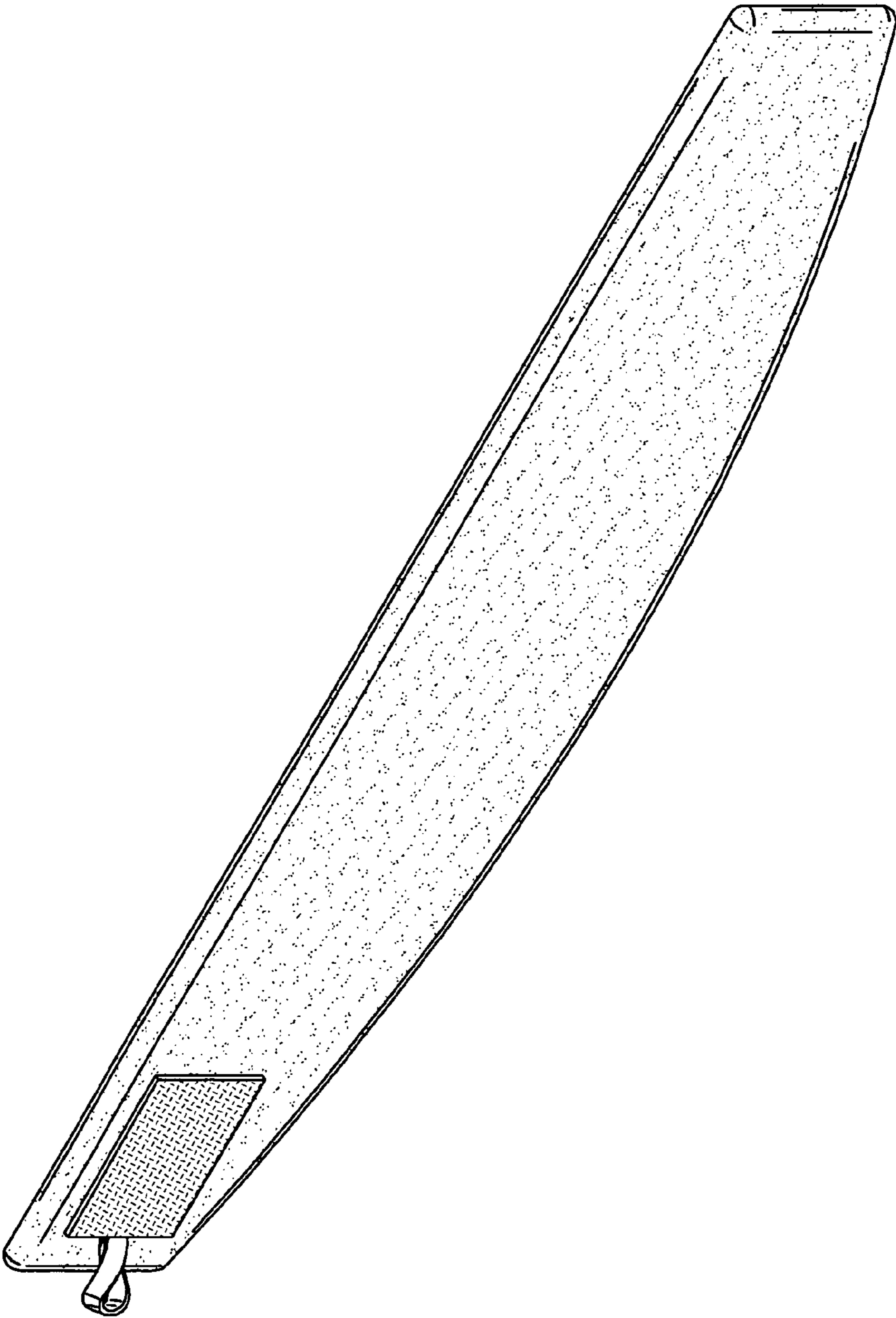


Fig. 1

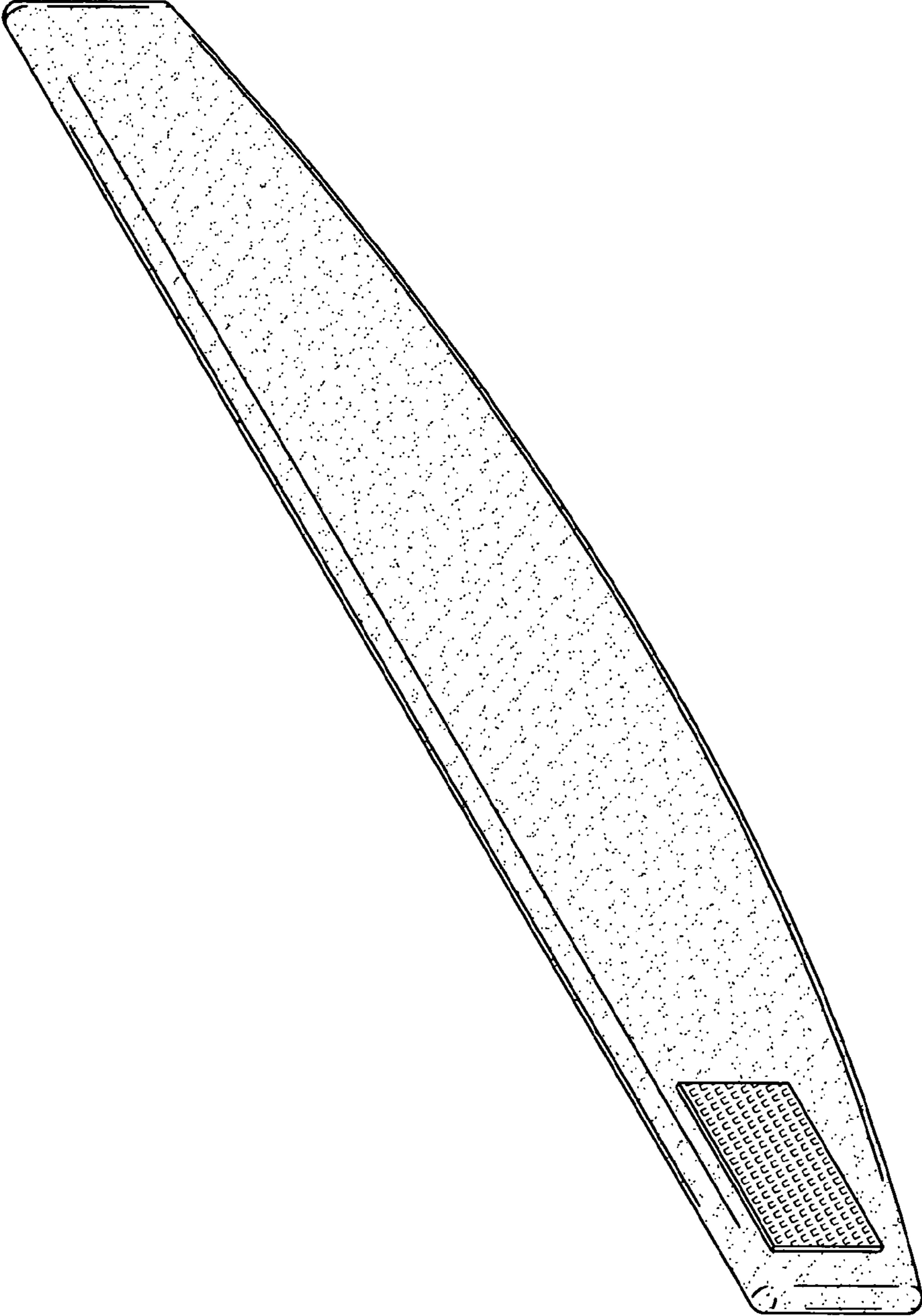


Fig. 2

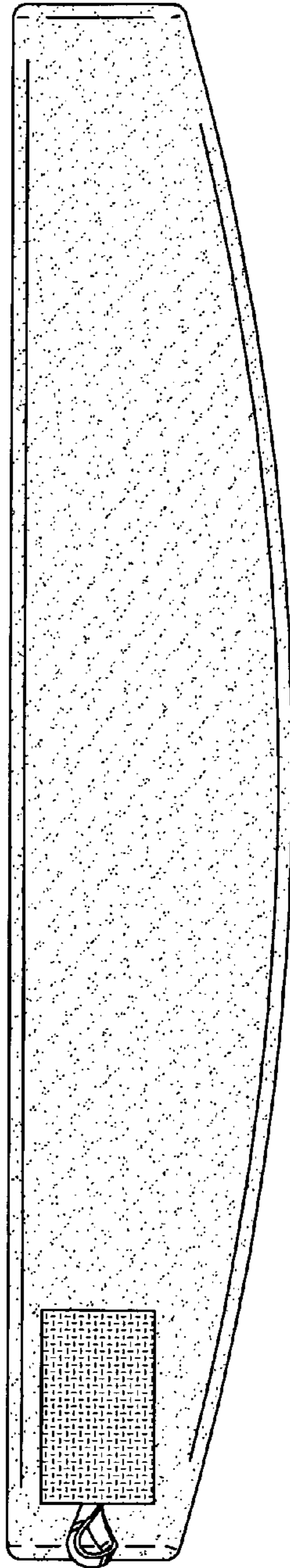


Fig. 3

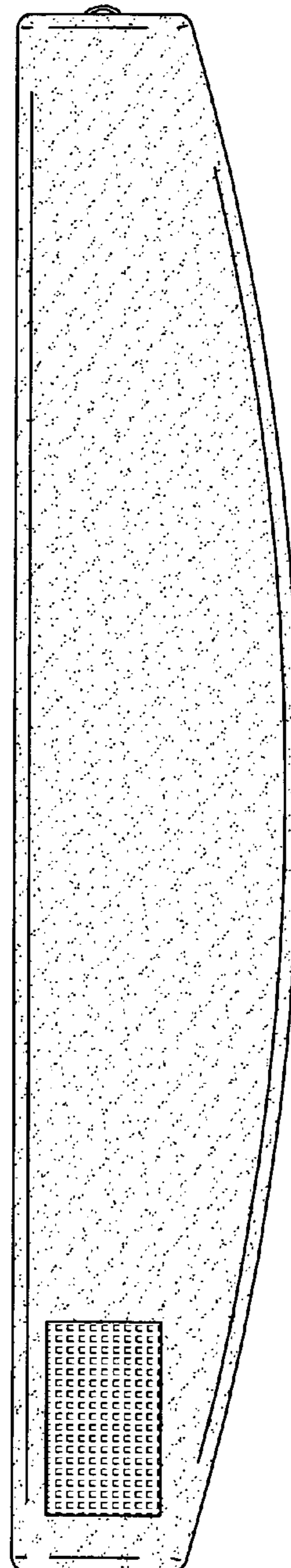


Fig. 4

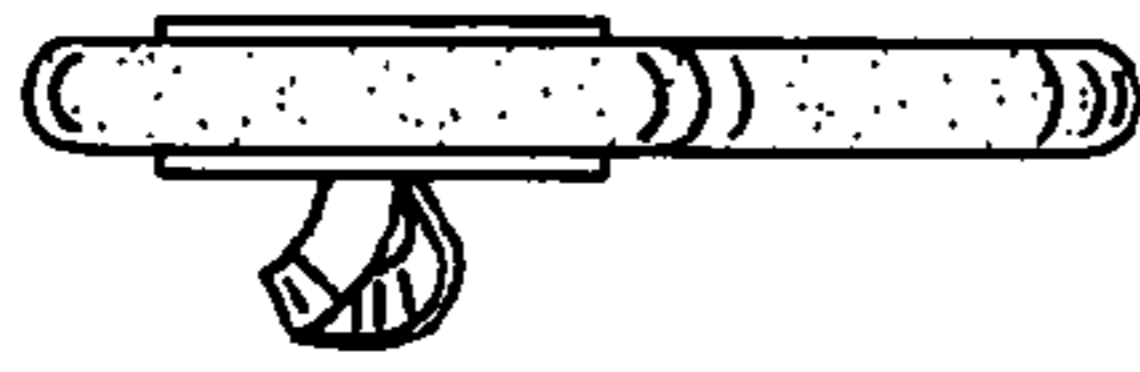


Fig. 6

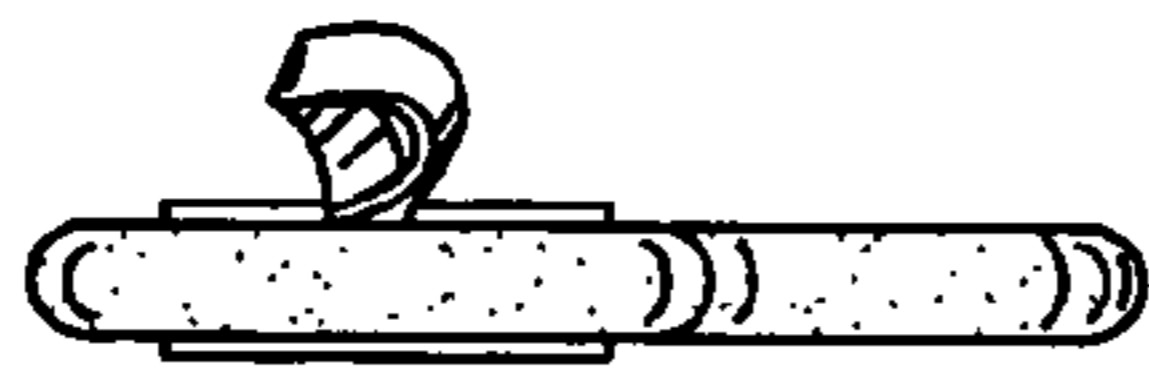


Fig. 5

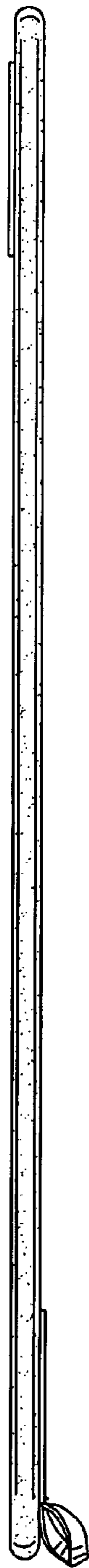


Fig. 7

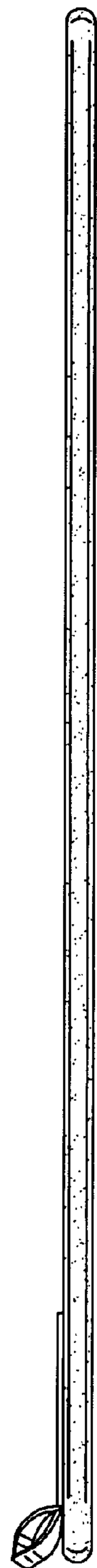


Fig. 8

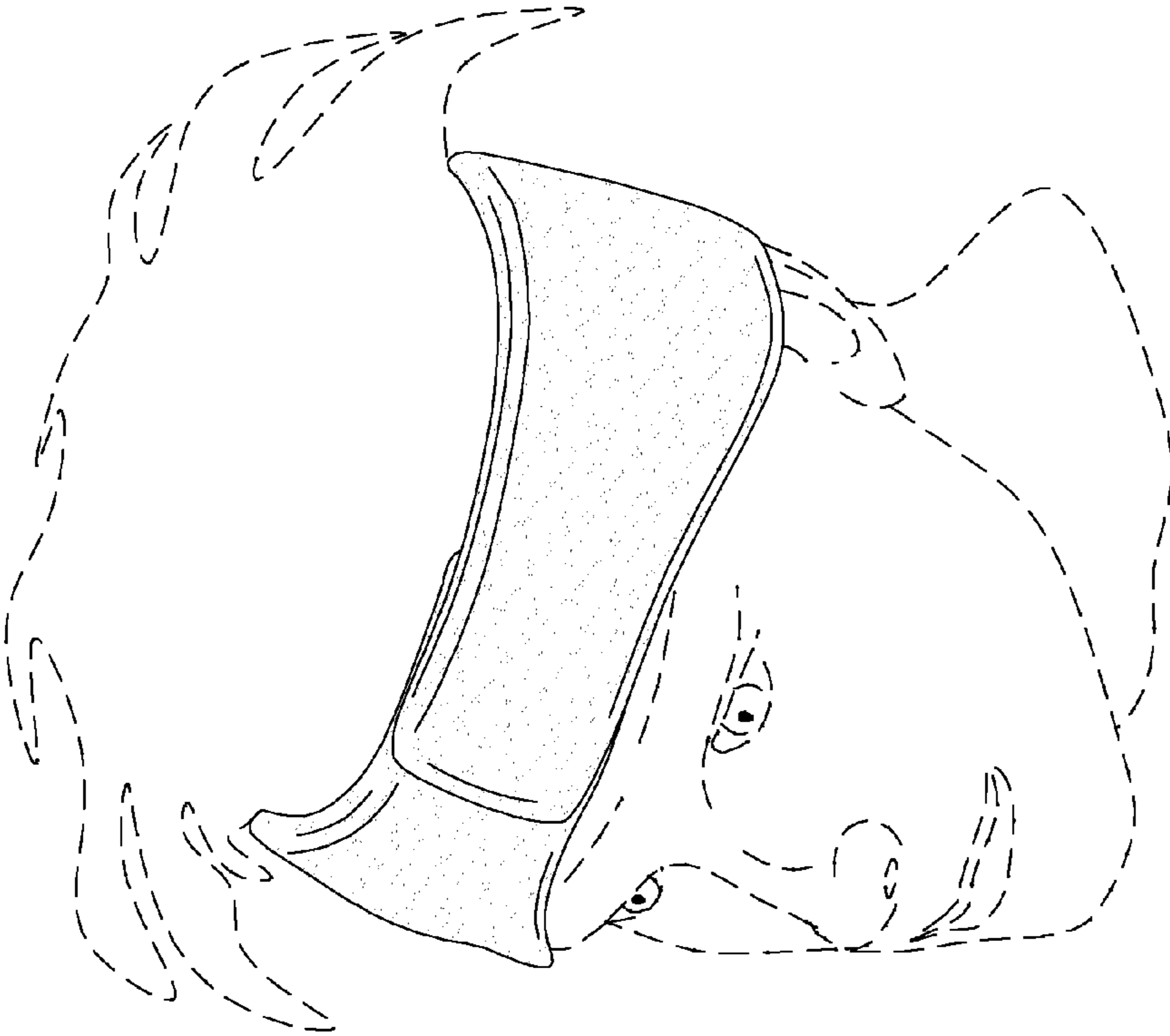


Fig. 9

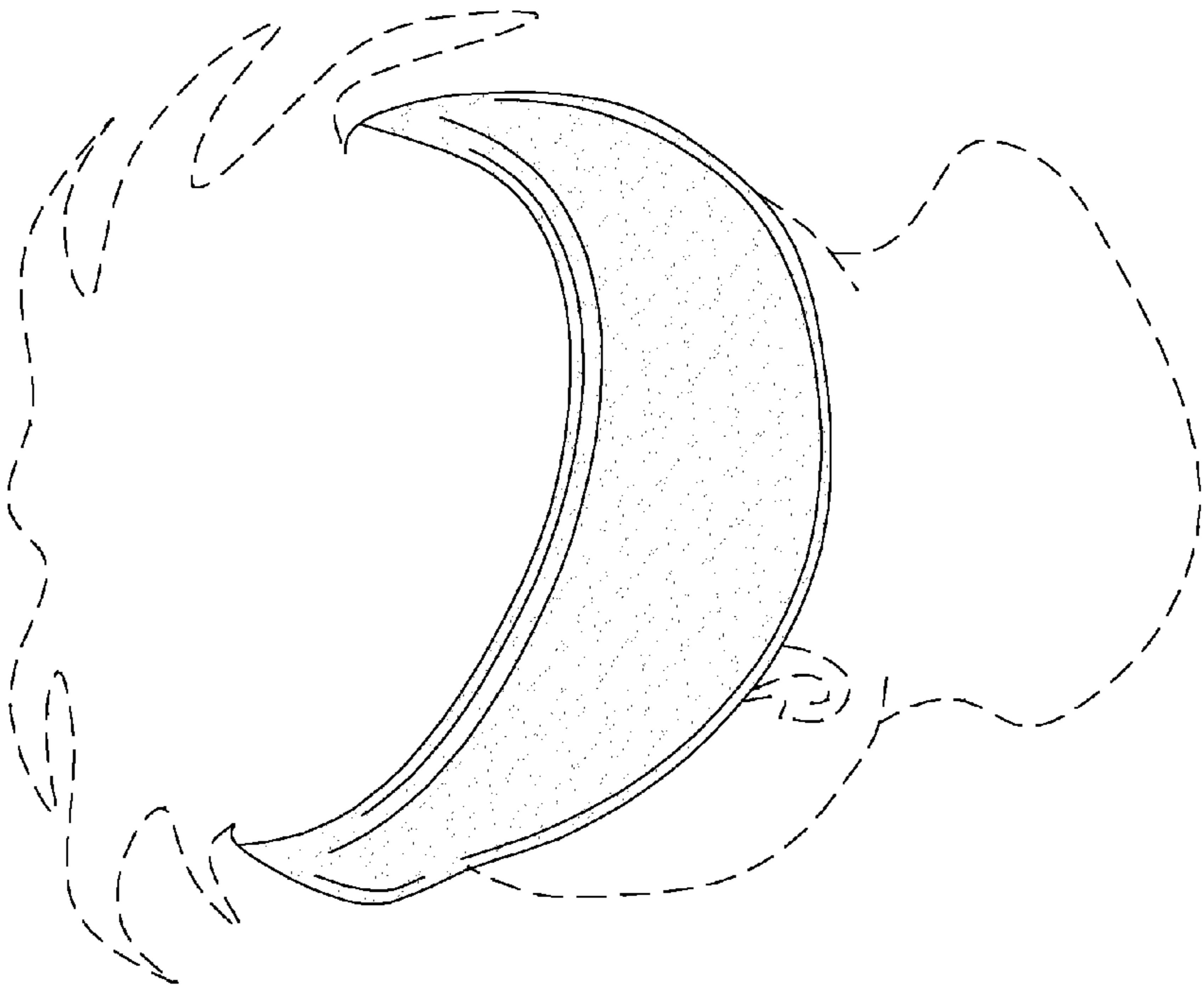


Fig. 10