



US00D629174S

(12) **United States Design Patent**  
**Bender et al.**

(10) **Patent No.:** **US D629,174 S**  
(45) **Date of Patent:** **\*\* Dec. 14, 2010**

(54) **CART FOR FIBERGLASS-REINFORCED PLASTIC APPARATUS**

D615,724 S \* 5/2010 Girard ..... D34/17  
2010/0171290 A1 \* 7/2010 Wise ..... 280/652

(75) Inventors: **Marika M. Bender**, Cottage Grove, MN (US); **Benjamin J. Paar**, Minneapolis, MN (US)

(73) Assignee: **Graco Minnesota Inc.**, Minneapolis, MN (US)

(\*\*) Term: **14 Years**

(21) Appl. No.: **29/354,092**

(22) Filed: **Jan. 19, 2010**

(51) **LOC (9) Cl.** ..... **12-02**

(52) **U.S. Cl.** ..... **D34/17**

(58) **Field of Classification Search** ..... D34/12-27;  
280/32.5, 32.6, 30, 33.991, 33.993, 33.996,  
280/DIG. 4, 79.11, 47.17, 47.19, 47.24  
See application file for complete search history.

(56) **References Cited**

**U.S. PATENT DOCUMENTS**

- D230,142 S \* 1/1974 Muellner ..... D34/14
- D311,079 S \* 10/1990 Blake ..... D34/15
- D412,045 S \* 7/1999 Yuan ..... D34/23
- D451,257 S \* 11/2001 Moritsch ..... D34/24
- D493,020 S \* 7/2004 Resfum ..... D34/20
- D514,767 S \* 2/2006 Schusler et al. .... D34/12

**OTHER PUBLICATIONS**

Graco Chopper/Wet-out Systems brochure, p. 2 shows old style cart used for this purpose.

Graco Process Equipment brochure, specifically NXT Cart on p. 2 and 7.

Magnum Venus Plastech Lift Mix Pro brochure, a competitor's cart.

\* cited by examiner

*Primary Examiner*—Cynthia E Ramirez

(74) *Attorney, Agent, or Firm*—Douglas B. Farrow

(57) **CLAIM**

The ornamental design for a cart for a fiberglass-reinforced plastic apparatus, as shown and described.

**DESCRIPTION**

FIG. 1 is a front isometric view of the cart for fiberglass-reinforced plastic apparatus;

FIG. 2 is right side view thereof,

FIG. 3 is a rear view thereof;

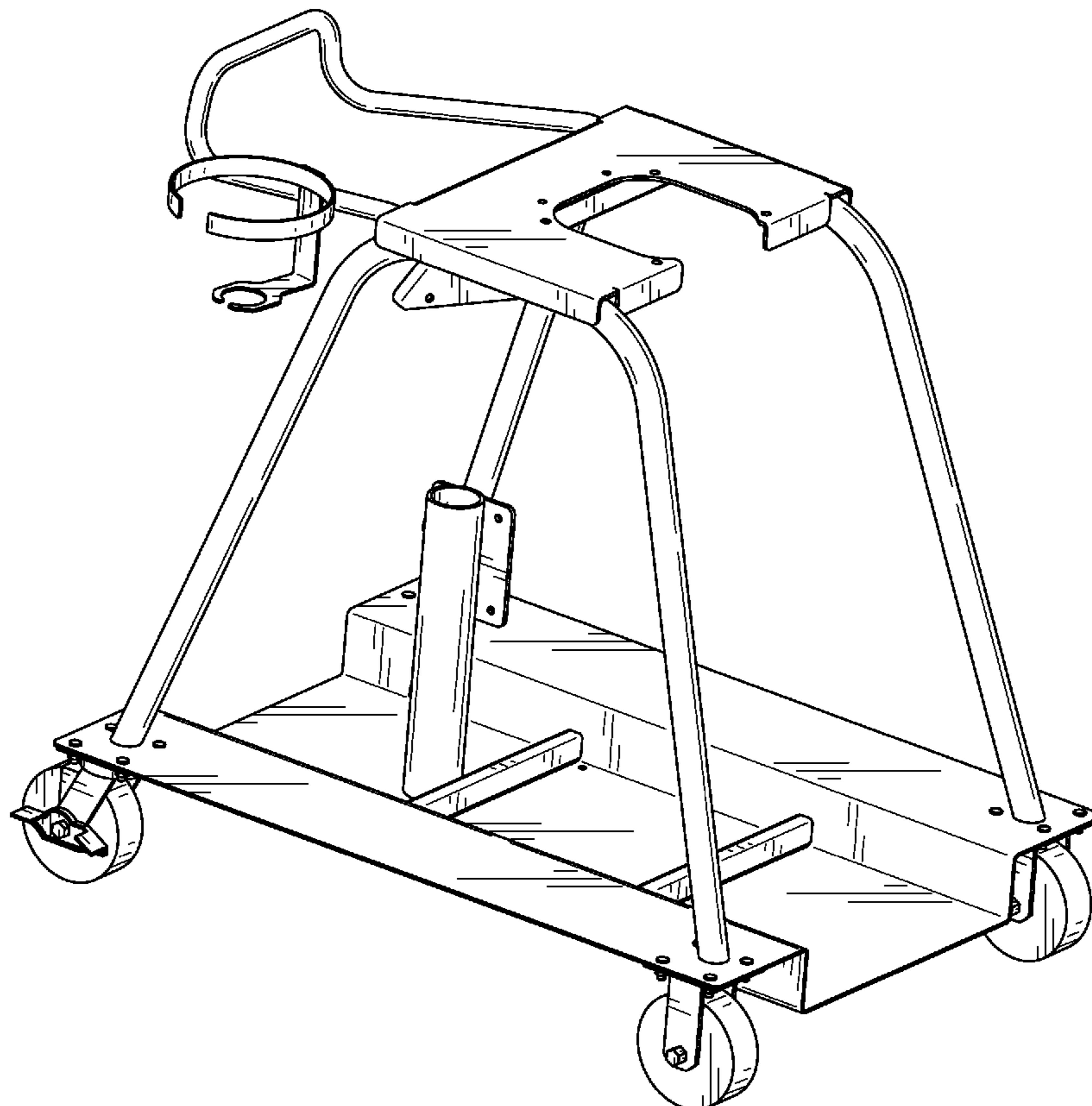
FIG. 4 is a left side view thereof;

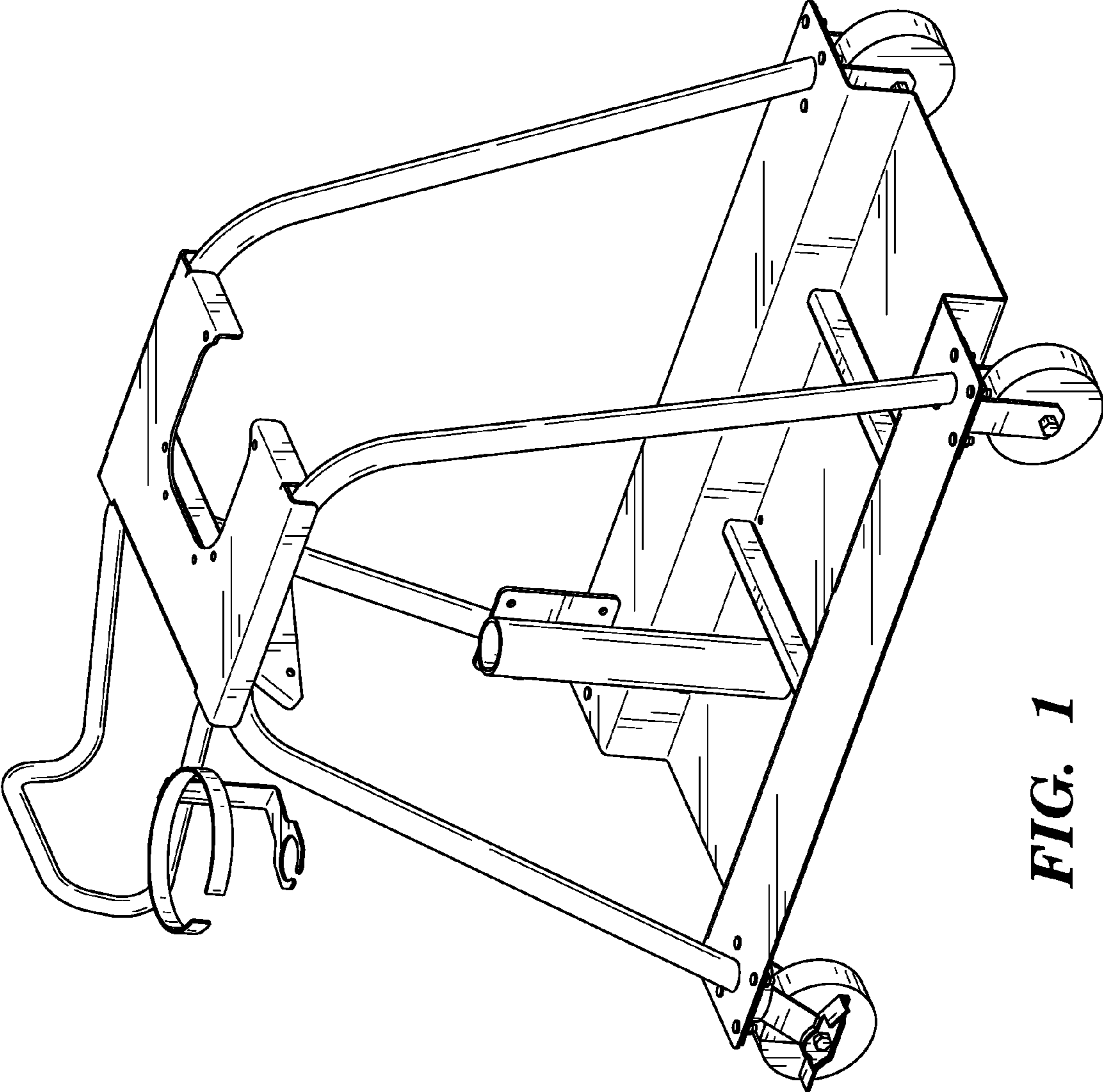
FIG. 5 is a front view thereof;

FIG. 6 is a top view thereof; and,

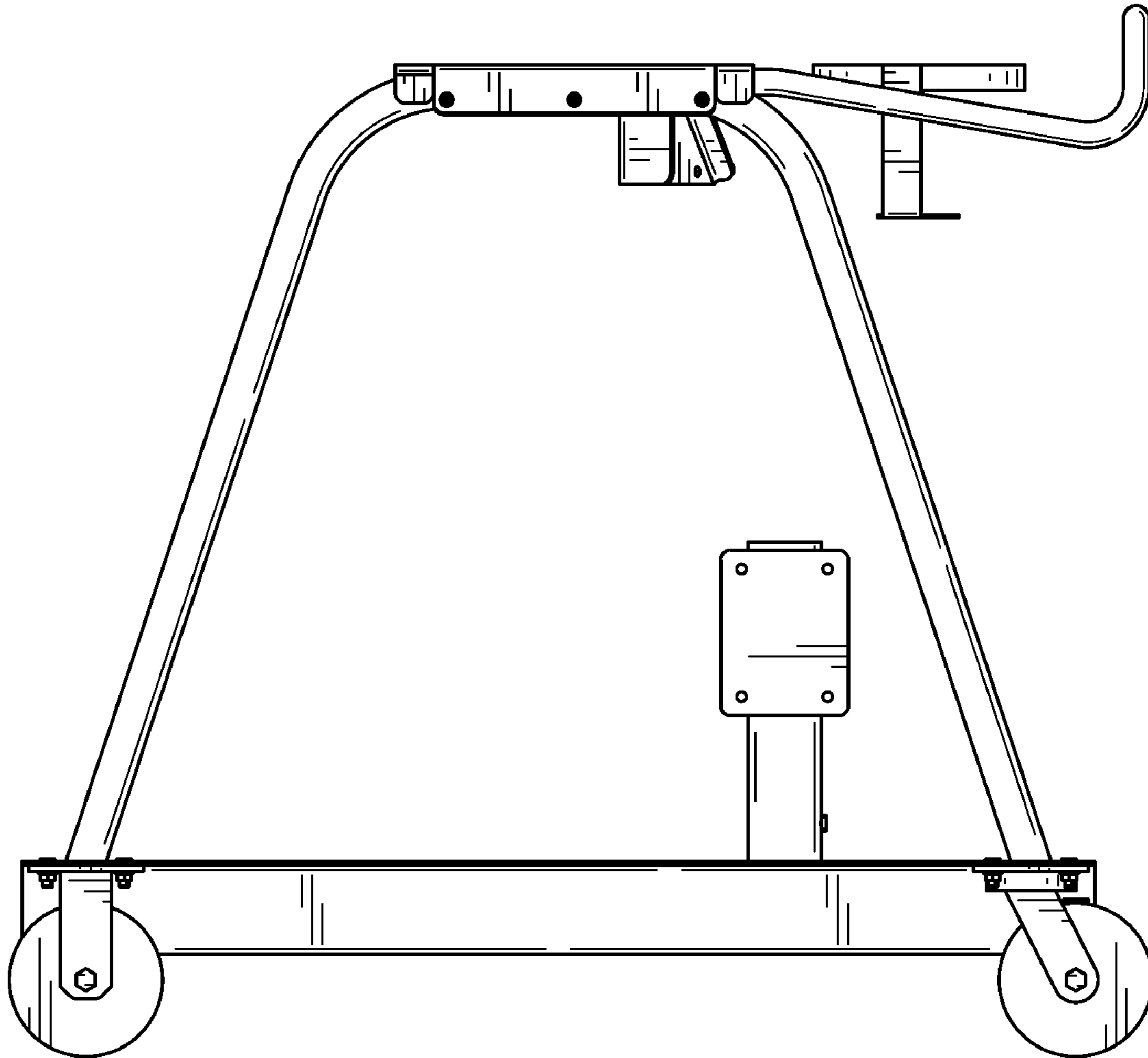
FIG. 7 is a bottom view thereof.

**1 Claim, 7 Drawing Sheets**

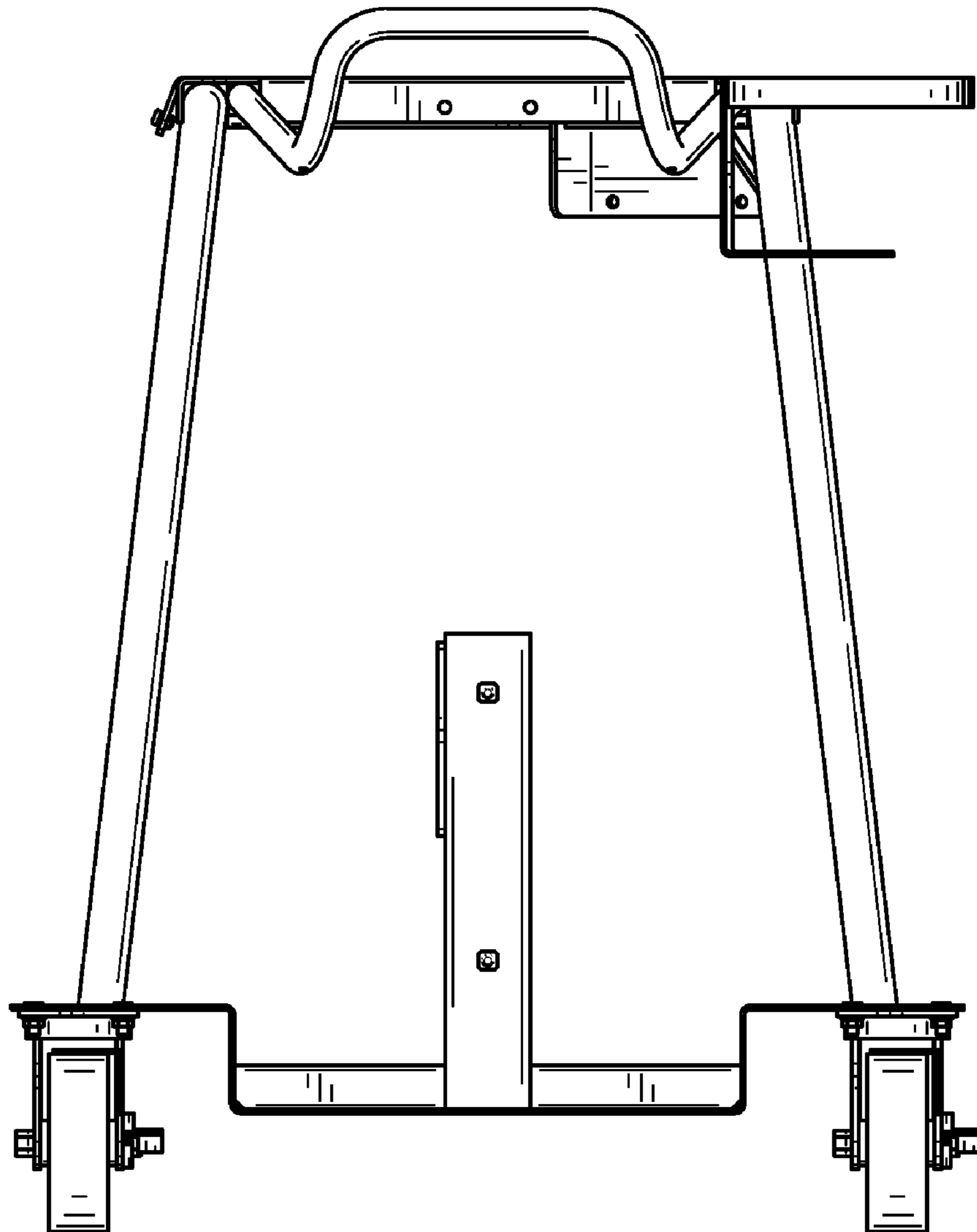




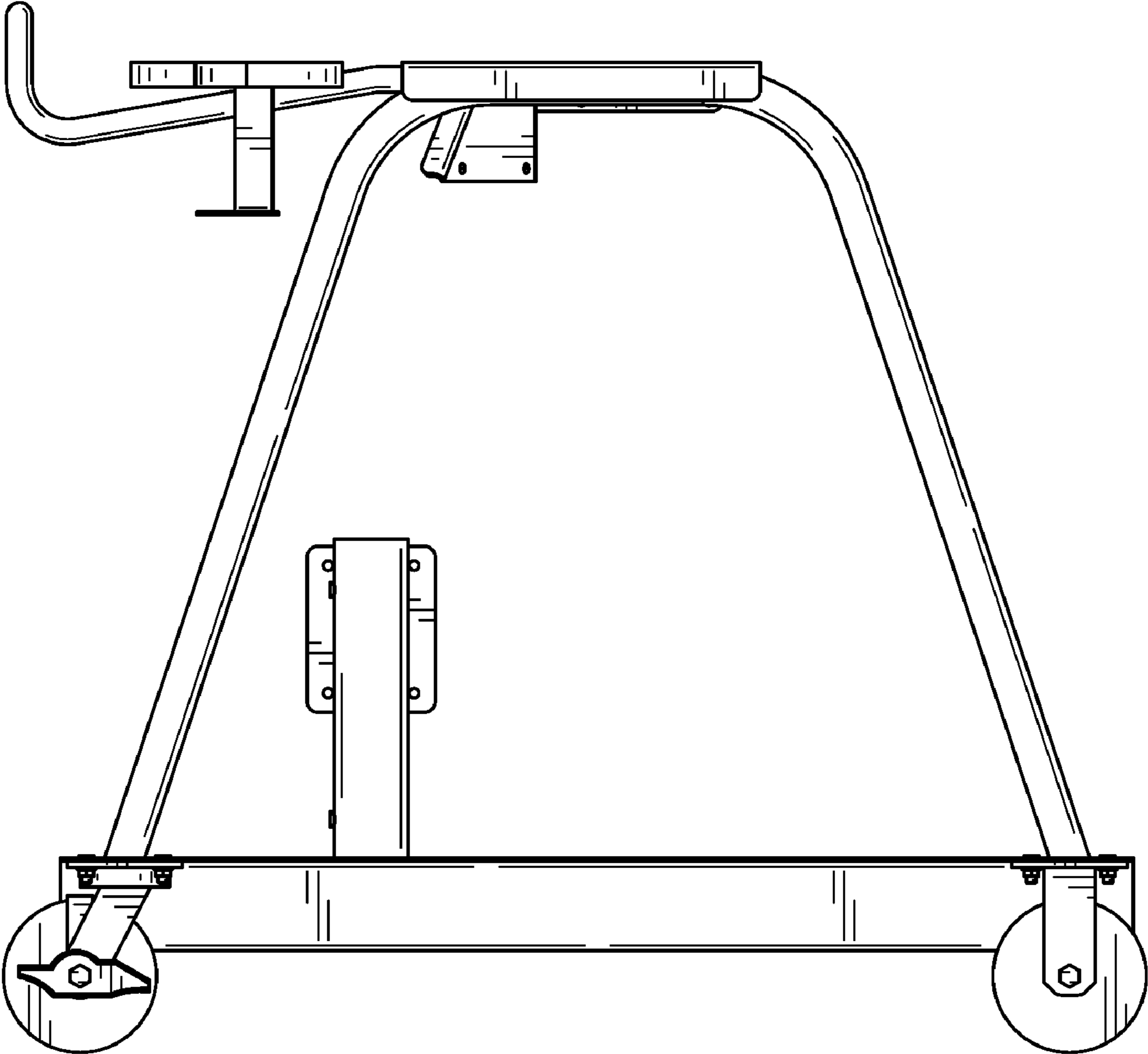
**FIG. 1**



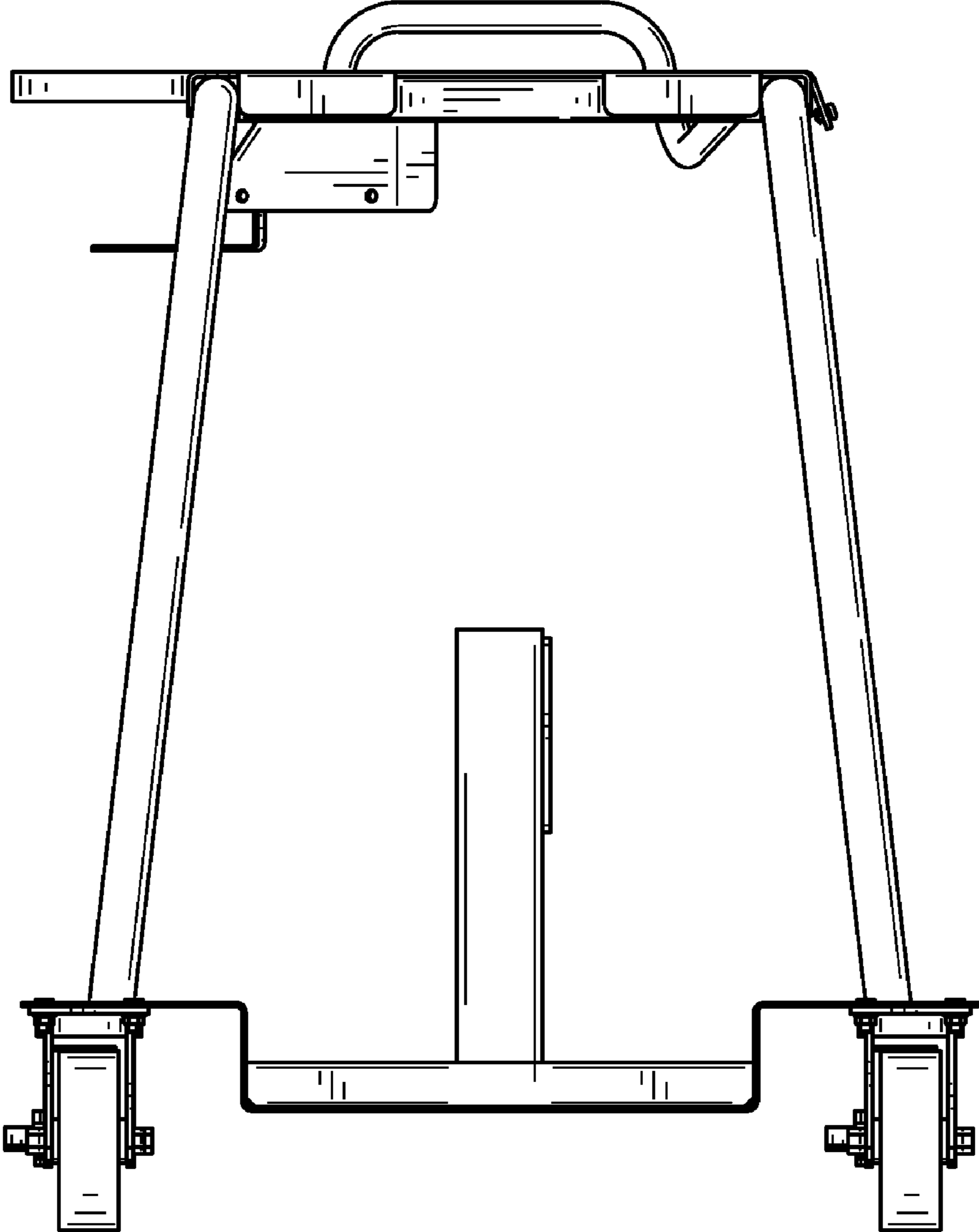
**FIG. 2**



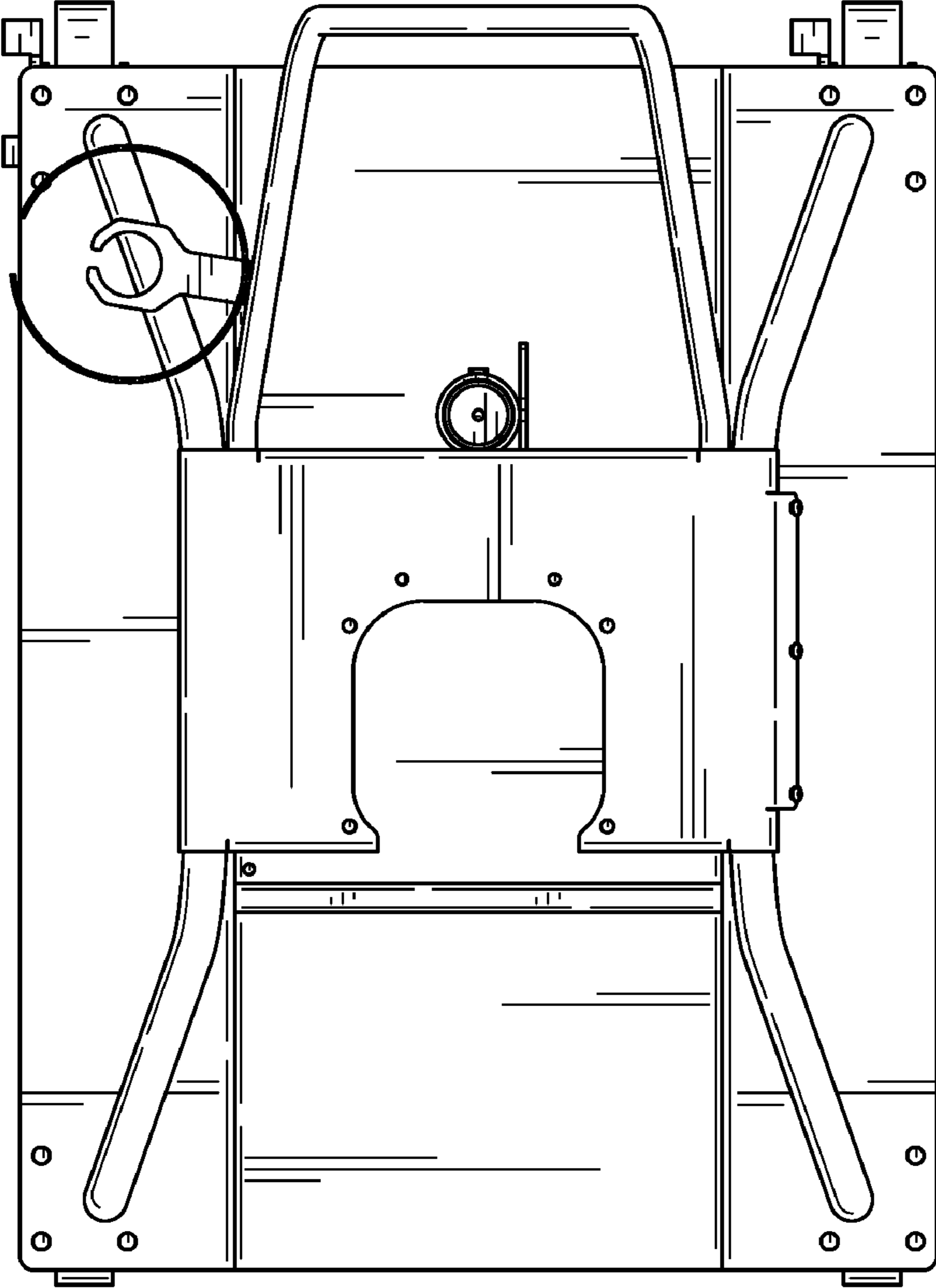
**FIG. 3**



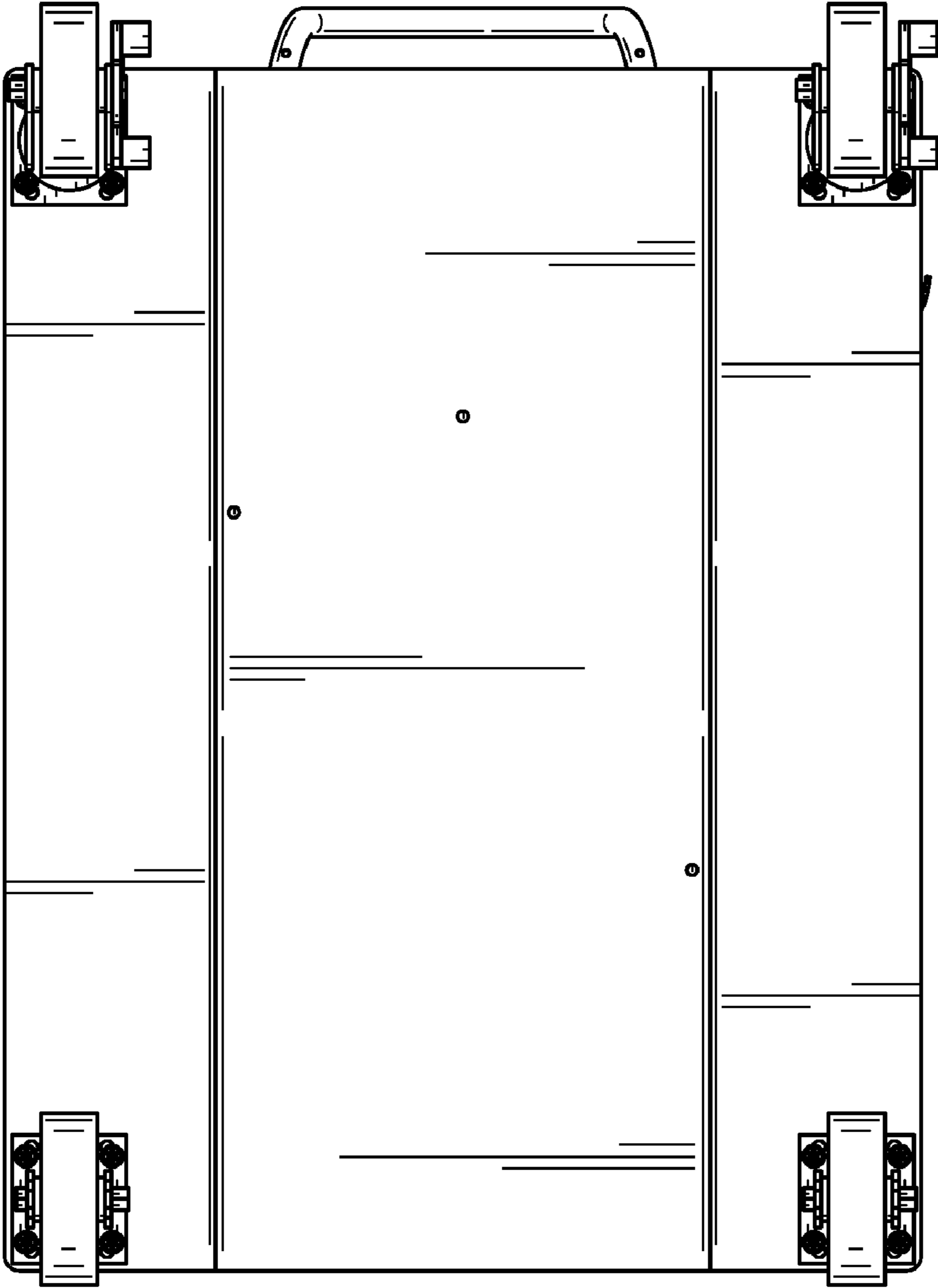
**FIG. 4**



**FIG. 5**



**FIG. 6**



**FIG. 7**