



US00D629169S

(12) **United States Design Patent**
Bixby et al.

(10) **Patent No.:** **US D629,169 S**

(45) **Date of Patent:** **** Dec. 14, 2010**

(54) **WASHER DISPENSER**

(75) Inventors: **Seth E. Bixby**, Stevensville, MI (US);
Jeffrey M. Browne, Chicago, IL (US);
Richard K. Gresens, Saint Joseph, MI (US)

(73) Assignee: **Whirlpool Corporation**, Benton Harbor, MI (US)

(**) Term: **14 Years**

(21) Appl. No.: **29/363,990**

(22) Filed: **Jun. 17, 2010**

Related U.S. Application Data

(63) Continuation of application No. 29/352,966, filed on Dec. 30, 2009, now Pat. No. Des. 620,213.

(51) **LOC (9) Cl.** **15-05**

(52) **U.S. Cl.** **D32/25**

(58) **Field of Classification Search** D32/1,
D32/6, 8, 9, 10, 25; 68/3 R, 5 R, 12.01, 212;
34/523-524

See application file for complete search history.

(56) **References Cited**

U.S. PATENT DOCUMENTS

D232,187 S * 7/1974 McCollum D32/25
D412,378 S * 7/1999 Richardson D32/25
D489,500 S * 5/2004 Sneddon D32/25

* cited by examiner

Primary Examiner—T. Chase Nelson

Assistant Examiner—Kathleen M Sims

(74) *Attorney, Agent, or Firm*—Tara M. Hartman; Barnes & Thornburg LLP

(57) **CLAIM**

We claim the ornamental design for a washer dispenser, as shown and described.

DESCRIPTION

Cross-reference is made to co-pending U.S. Design patent application Ser. No. 29/352,963 entitled “Dryer Console,” which was filed on Dec. 30, 2009; U.S. Design patent application Ser. No. 29/352,960 entitled “Washer Door,” which was filed on Dec. 30, 2009; U.S. Design patent application Ser. No. 29/352,961 entitled “Dryer Door,” which was filed on Dec. 30, 2009; and U.S. Design patent application Ser. No. 29/352,965 entitled “Washer Console,” which was filed on Dec. 30, 2009; each of which is assigned to the same assignee as the present application and each of which is hereby incorporated by reference.

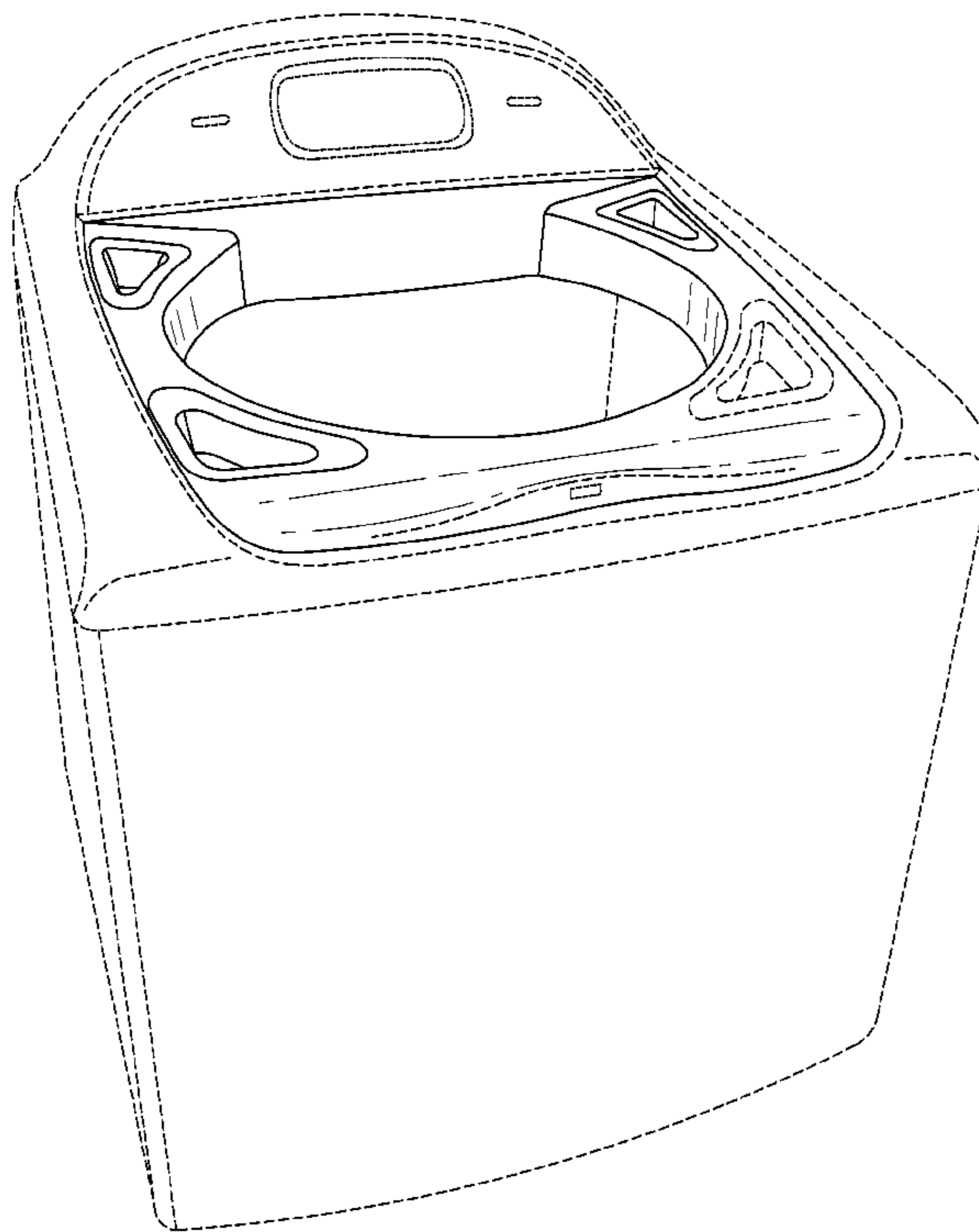
FIG. 1 is a front perspective view of the washer dispenser showing our new design;

FIG. 2 is a front elevational view thereof; and,

FIG. 3 is a top plan view thereof.

The rear elevational view, side elevational views, and the bottom plan view are not shown and form no part of the claimed design. The portion shown in broken lines is for illustrative purposes only and forms no part of the claimed design.

1 Claim, 3 Drawing Sheets



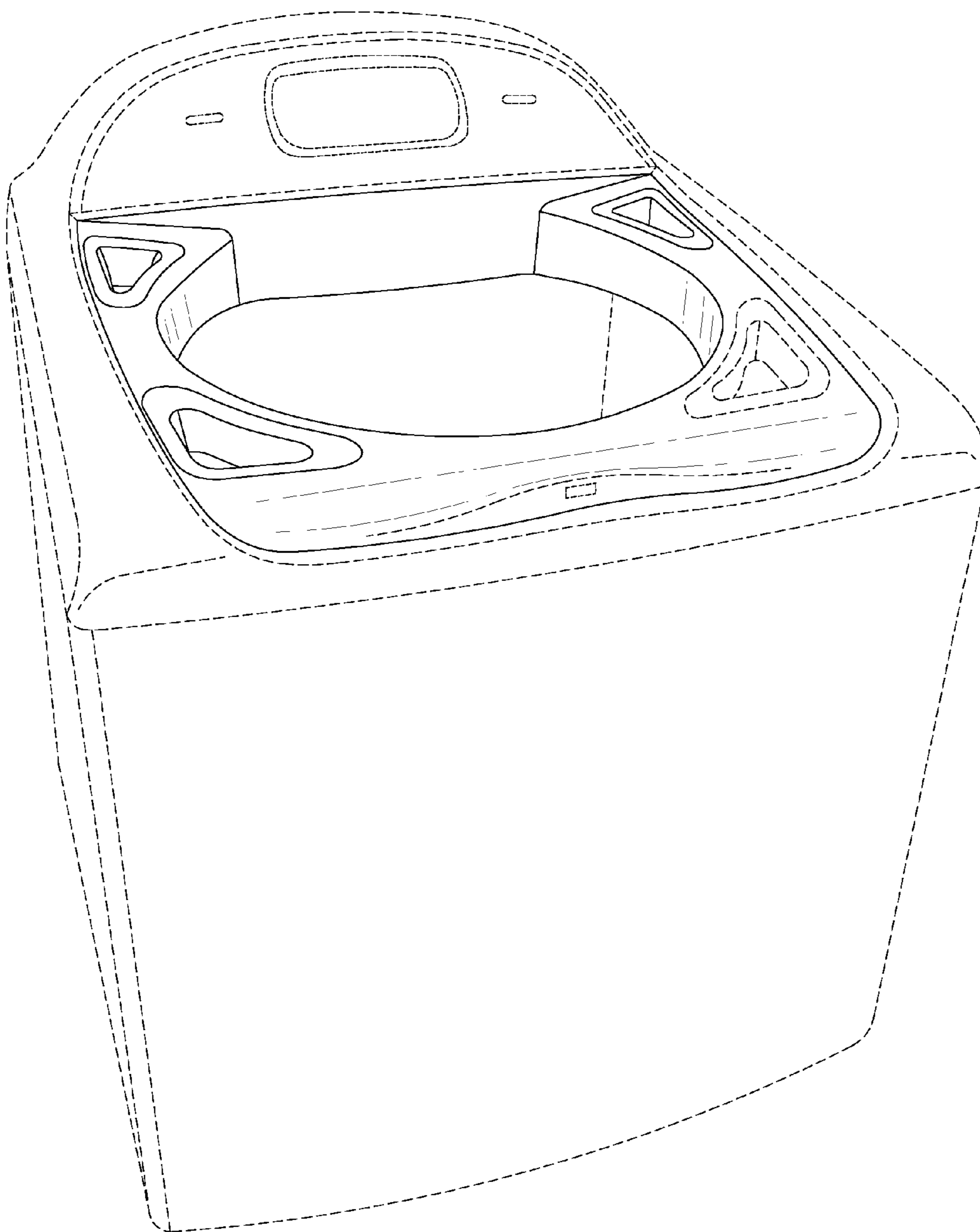


Fig. 1

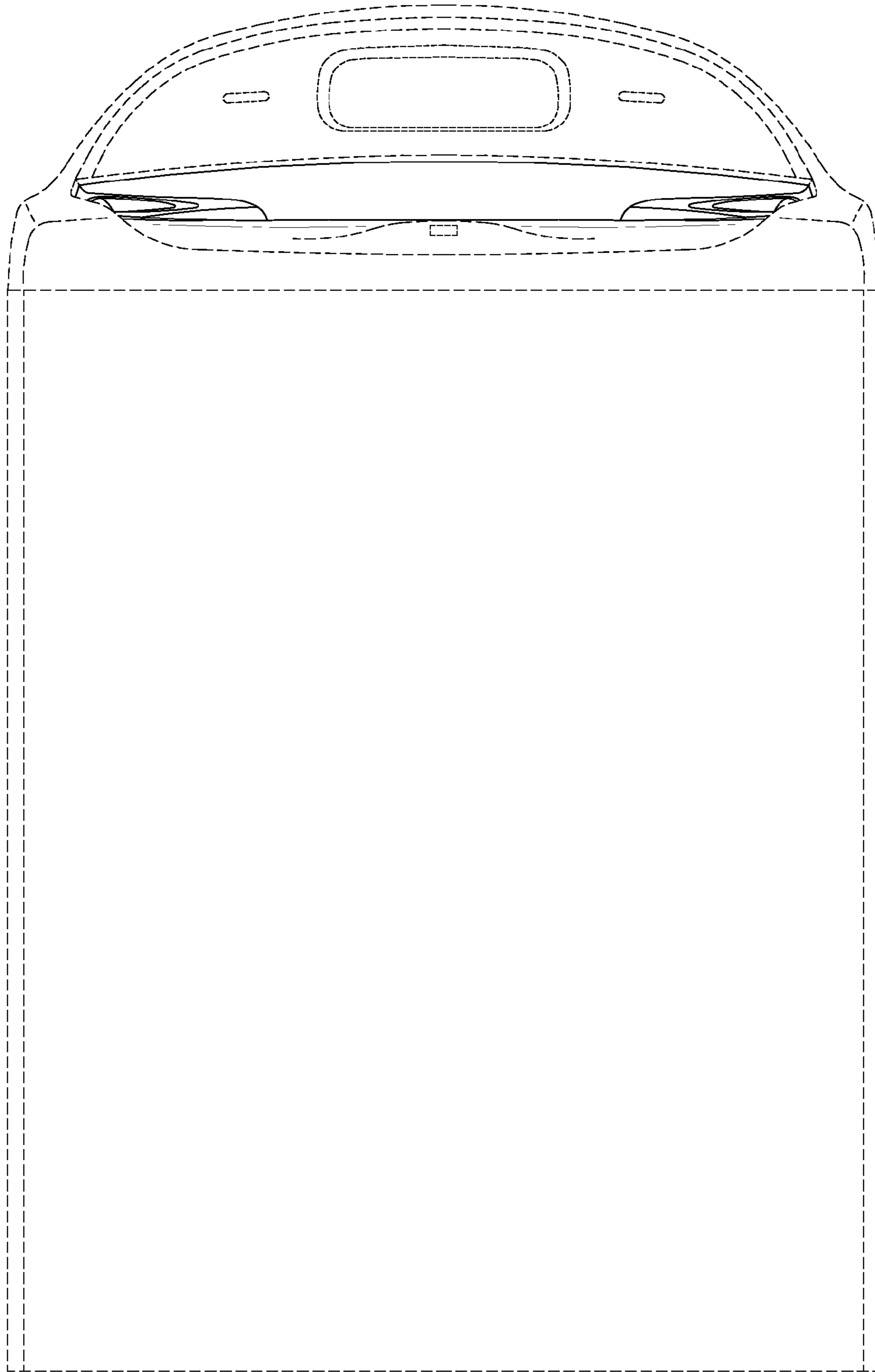


Fig. 2

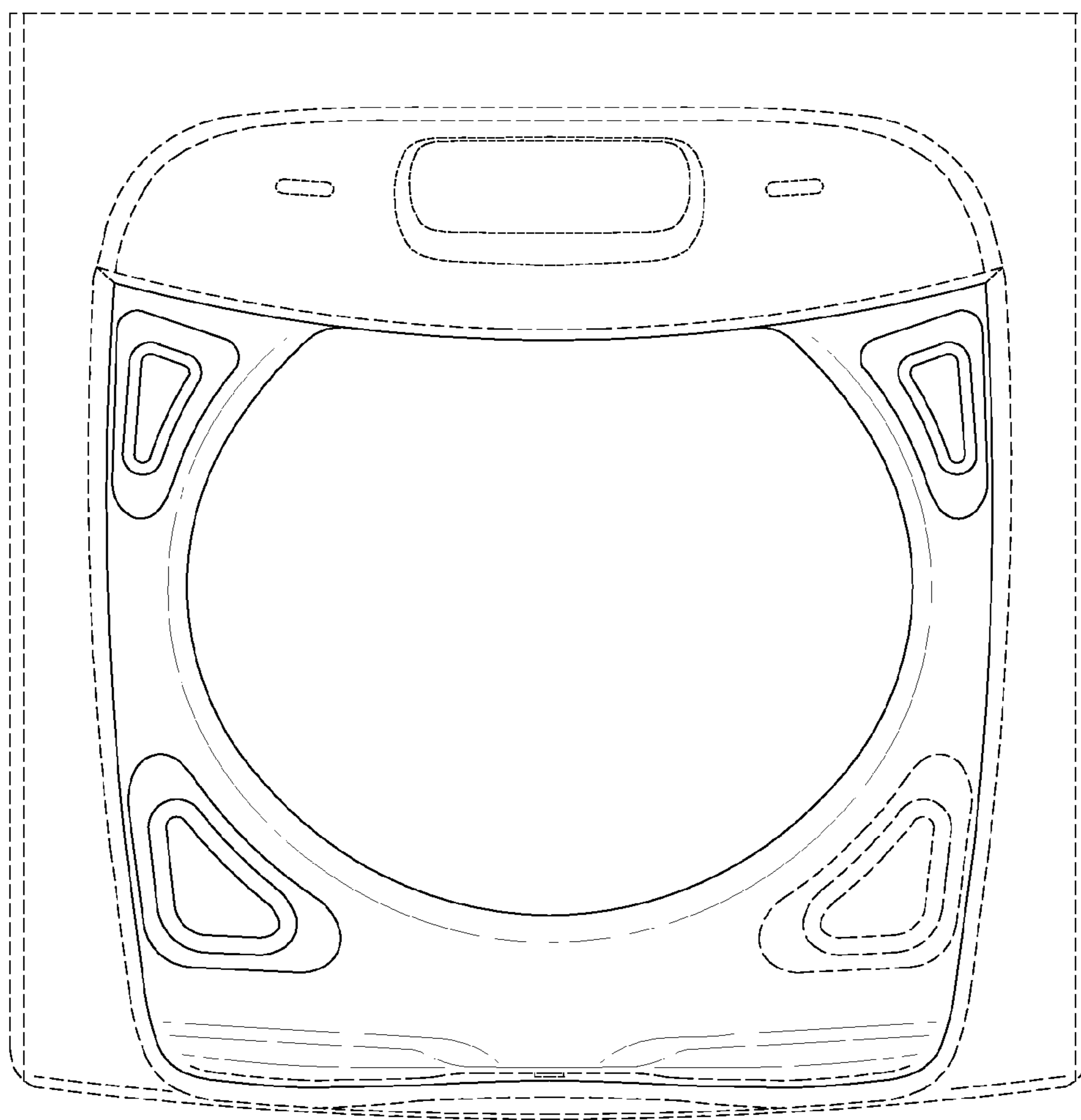


Fig. 3