



US00D629168S

(12) **United States Design Patent**  
**Park et al.**

(10) **Patent No.:** **US D629,168 S**

(45) **Date of Patent:** **\*\* Dec. 14, 2010**

(54) **DRAWER FOR WASHING MACHINE**

D585,165 S \* 1/2009 Kim et al. .... D32/6  
D608,062 S \* 1/2010 Jeong et al. .... D32/6

(75) Inventors: **So Jin Park**, Seoul (KR); **Jong Hee Han**, Gyeonggi-do (KR); **Na Jung Cho**, Seoul (KR); **Jea Seok Seong**, Gyeonggi-do (KR)

\* cited by examiner

*Primary Examiner*—T. Chase Nelson  
*Assistant Examiner*—Kathleen M Sims

(73) Assignee: **LG Electronics Inc.**, Seoul (KR)

(74) *Attorney, Agent, or Firm*—Morgan Lewis & Bockius LLP

(\*\*) Term: **14 Years**

(57) **CLAIM**

(21) Appl. No.: **29/337,805**

The ornamental design for a drawer for washing machine, as shown and described.

(22) Filed: **May 29, 2009**

(30) **Foreign Application Priority Data**

**DESCRIPTION**

Dec. 3, 2008 (KR) ..... 30-2008-0052168

FIG. 1 is a top, front, perspective view of a drawer for washing machine showing our new design;

(51) **LOC (9) Cl.** ..... **15-05**

FIG. 2 is a front view thereof;

(52) **U.S. Cl.** ..... **D32/25**

FIG. 3 is a rear view thereof;

(58) **Field of Classification Search** ..... D32/6,  
D32/8, 5, 10, 1, 9, 25; 68/3 R, 5 R, 12.01,  
68/212; 34/523-524; D6/445-446, 463,  
D6/510

FIG. 4 is a left side view thereof;

FIG. 5 is a right side view thereof;

See application file for complete search history.

FIG. 6 is a top plan view thereof;

FIG. 7 is a bottom plan view thereof; and,

(56) **References Cited**

FIG. 8 is a top, front, perspective view thereof, shown in a closed position.

**U.S. PATENT DOCUMENTS**

The broken line showing of details in FIGS. 1 and 6 is included for the purpose of showing environmental portions of the drawer for washing machine that form no part of the claimed design.

1,936,733 A \* 11/1933 Richardson ..... 217/65  
4,850,659 A \* 7/1989 Rock et al. .... 312/263  
4,875,746 A \* 10/1989 Rock et al. .... 312/330.1  
D326,381 S \* 5/1992 Heiligenthal et al. .... D6/510  
D506,267 S \* 6/2005 Astle et al. .... D25/59

**1 Claim, 5 Drawing Sheets**

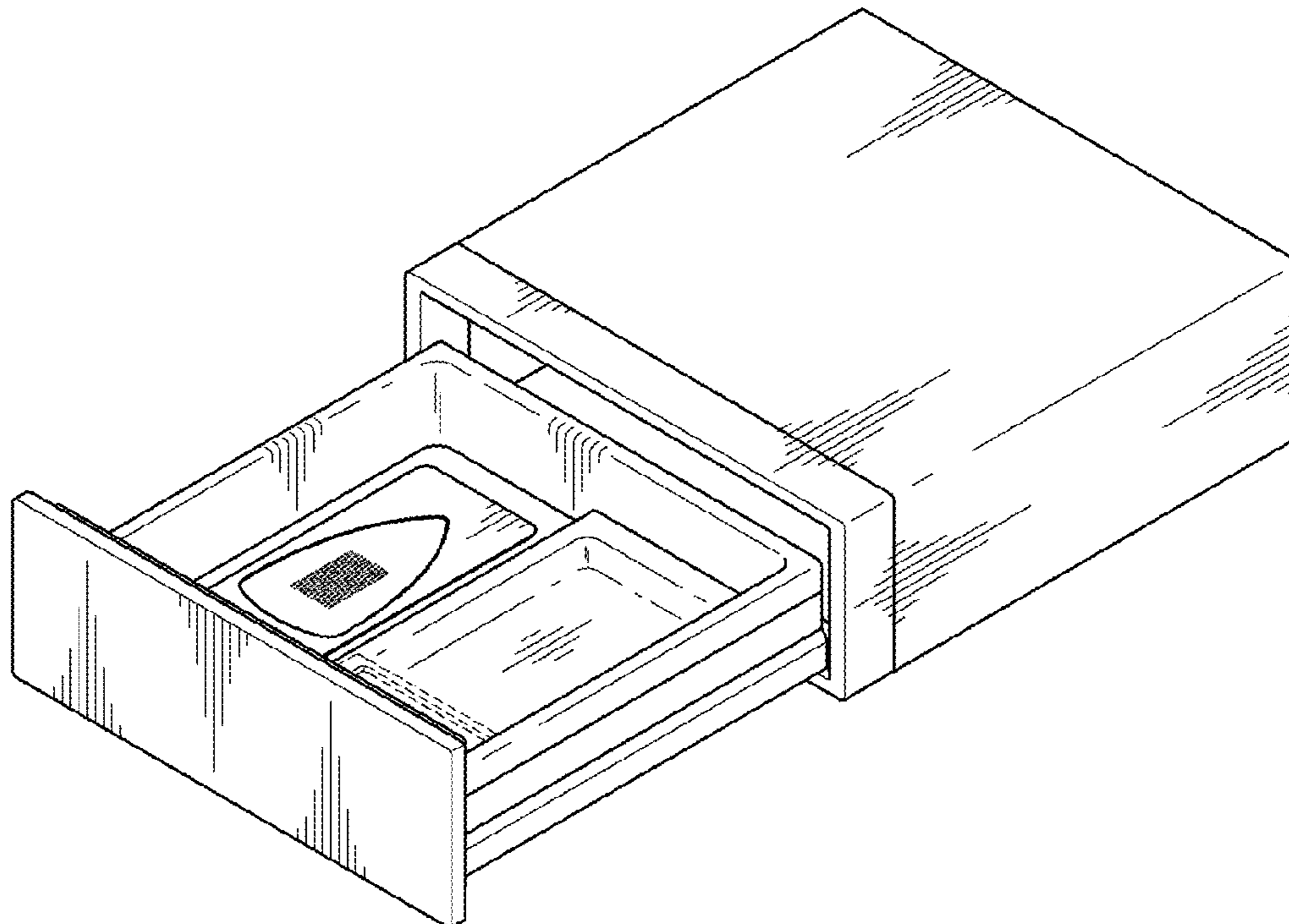


FIG. 1

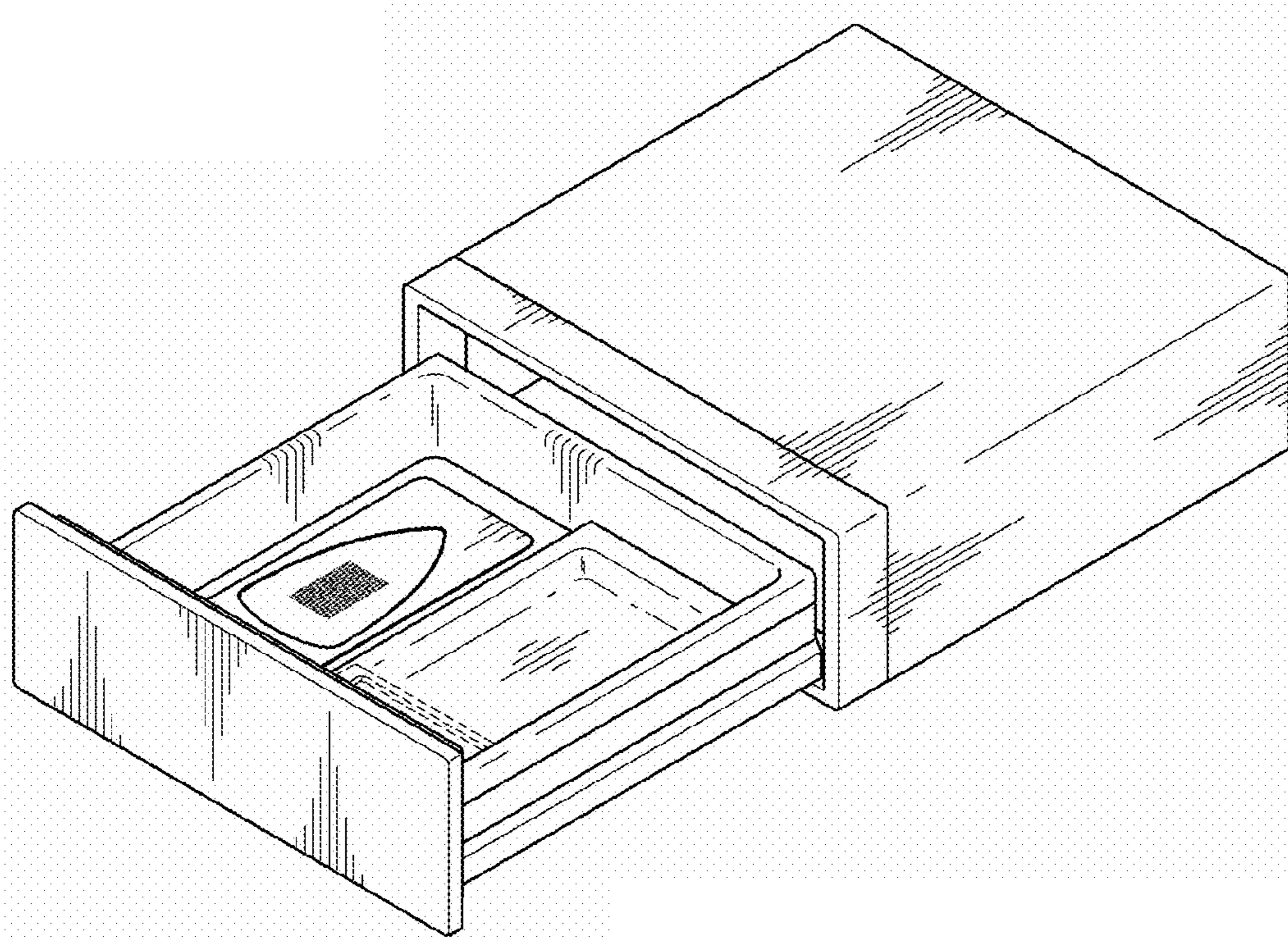


FIG. 2

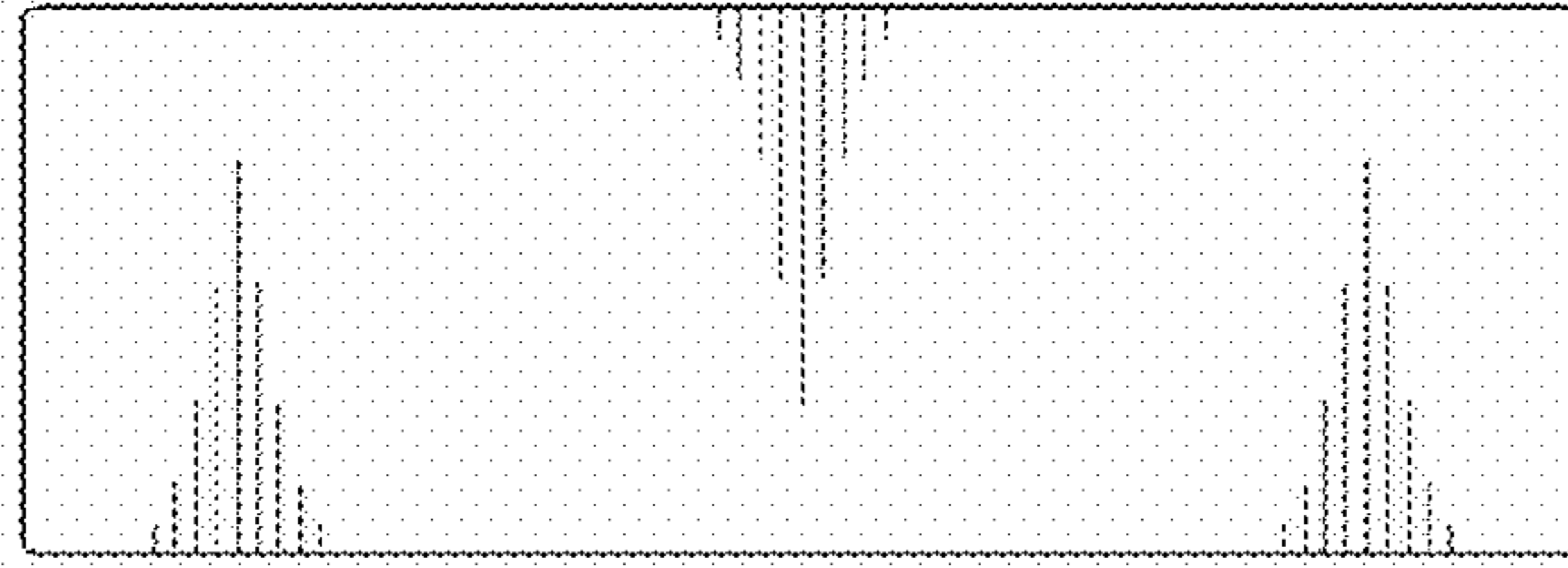


FIG. 3

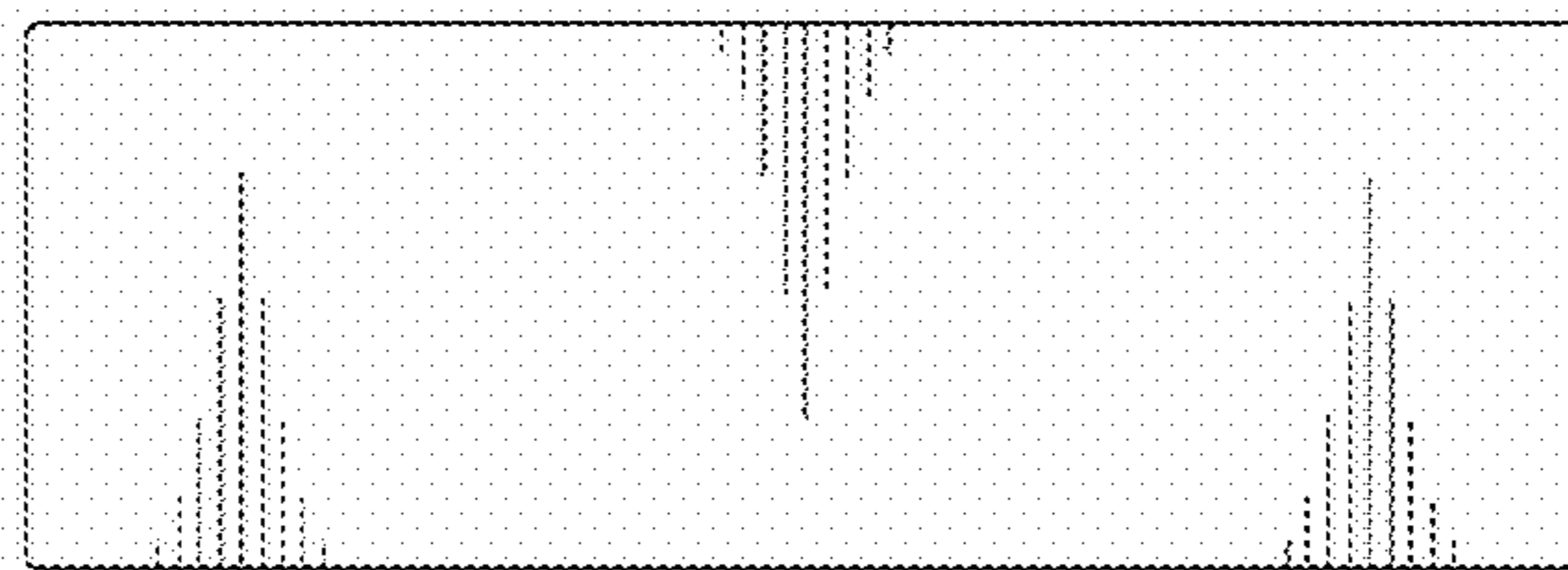


FIG. 4

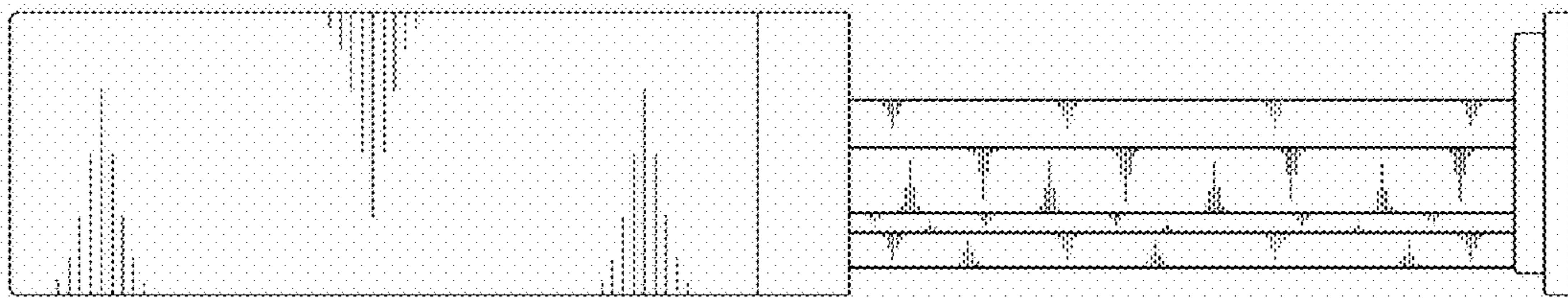


FIG. 5

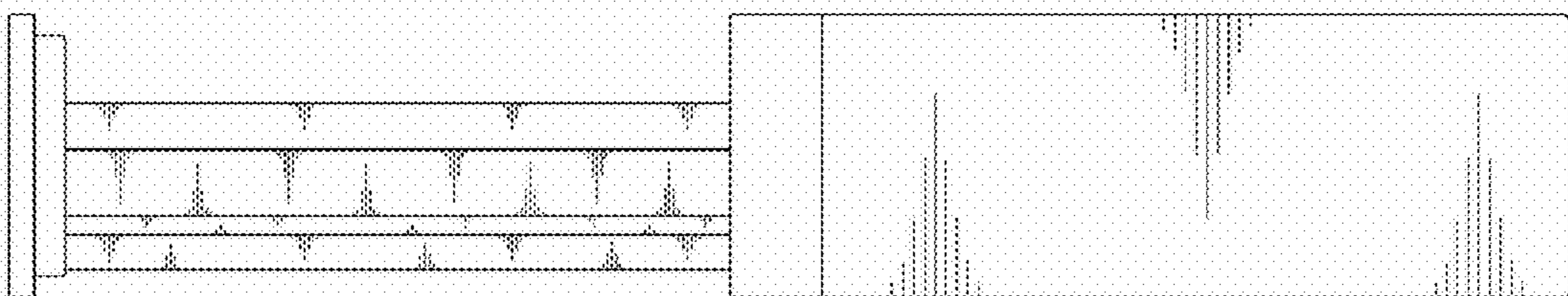
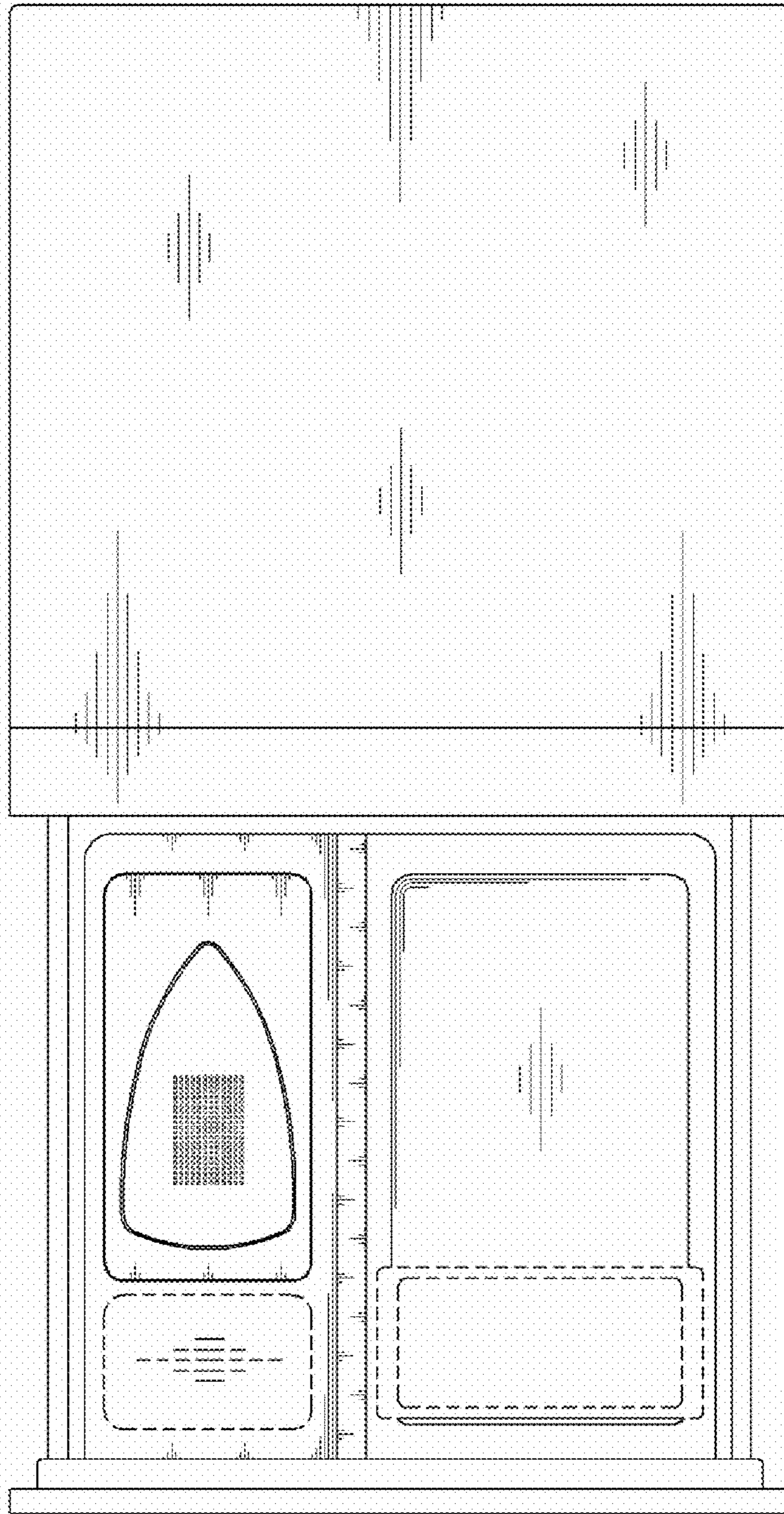




FIG. 6



# FIG. 7

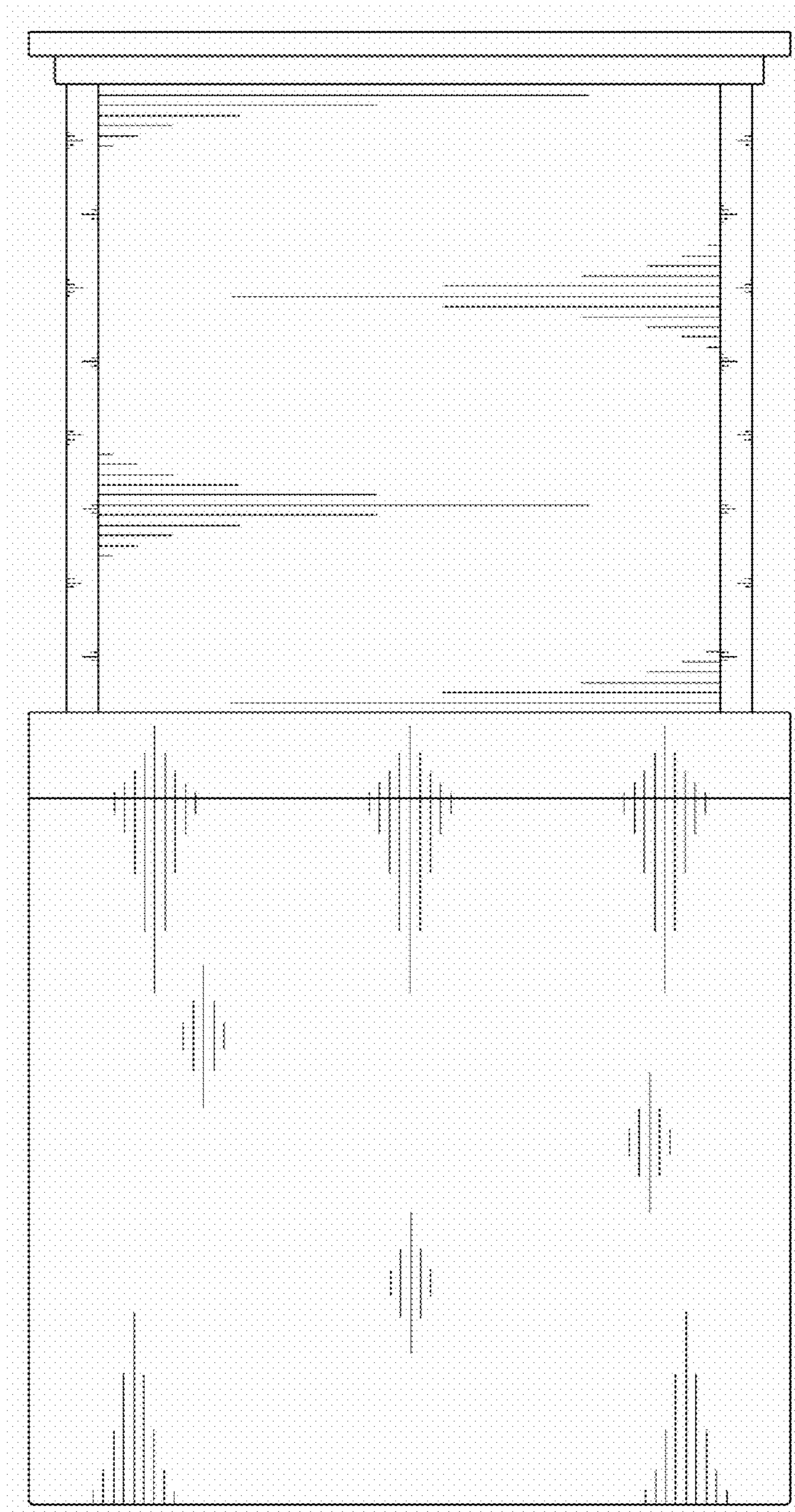


FIG. 8

