



US00D629163S

(12) **United States Design Patent**
Sullivan

(10) **Patent No.:** **US D629,163 S**

(45) **Date of Patent:** **** Dec. 14, 2010**

(54) **BEEHIVE**

(76) **Inventor:** **Shad Sullivan**, 3950 N. Central,
Atwater, CA (US) 95301

(**) **Term:** **14 Years**

(21) **Appl. No.:** **29/329,921**

(22) **Filed:** **Dec. 23, 2008**

(51) **LOC (9) Cl.** **30-02**

(52) **U.S. Cl.** **D30/108; D30/199**

(58) **Field of Classification Search** D30/199,
D30/108-113, 117; 119/508, 500, 501, 498,
119/482, 161, 481, 483, 475, 484, 246, 165,
119/453, 452, 248, 269, 201, 502; 449/30,
449/1, 12, 2, 20, 25, 19, 27, 7, 28, 21, 8,
449/6, 23, 24, 26, 31, 13, 37, 60, 14, 11,
449/42-44; D3/304-316, 201, 273, 276,
D3/283-286, 318, 319; 312/263; 43/54.1,
43/55, 56; 217/54, 43 R; 294/158; 428/118,
428/116, 698; 220/560, 216, 4.28, 786, 847,
220/675, 676, 1.5, 6, 4.29, DIG. 12-DIG. 15,
220/DIG. 2; 206/503, 203, 512, 509; 156/78,
156/89.27, 89.22; 521/131; 427/255.11,
427/255.12, 255.19, 900; D9/755, 781, 770;
D7/550.1, 552.1, 553.1, 553.2, 553.7, 554.2-554.4,
D7/561, 701; D6/525-540; D12/412, 414.1,
D12/425; D19/75, 86, 90; 160/DIG. 7;
135/115, 119; 126/908

See application file for complete search history.

(56) **References Cited**

U.S. PATENT DOCUMENTS

2,988 A	3/1843	Rich
3,638 A	6/1844	Cutting
3,841 A	12/1844	Reynolds
19,931 A	4/1858	Kidder
66,977 A	7/1867	Leffingwell
67,123 A	7/1867	Kretchmer
70,782 A	11/1867	Beebe
71,381 A	11/1867	Gray
72,651 A	12/1867	Lower

72,808 A	12/1867	Courtney
82,757 A	10/1868	Shields
86,441 A	2/1869	Pearson
98,761 A	1/1870	Gould
107,792 A	7/1870	Leffel et al.
109,201 A	11/1870	Goodwin
109,888 A	12/1870	Gladding
121,837 A	12/1871	Armstrong
122,279 A	12/1871	Proctor
123,654 A	2/1872	White
124,962 A	3/1872	King
128,619 A	7/1872	Hart
131,168 A	9/1872	King
131,610 A	9/1872	Grabbe

(Continued)

OTHER PUBLICATIONS

Mann Lake Ltd Online Catalog (2009), web site: www.mannlakeltd.com/ProductDetail.asp?idproduct=IN-150.

(Continued)

Primary Examiner—Susan Moon Lee
(74) *Attorney, Agent, or Firm*—Mark D. Miller; Marcus N. DiBuduo

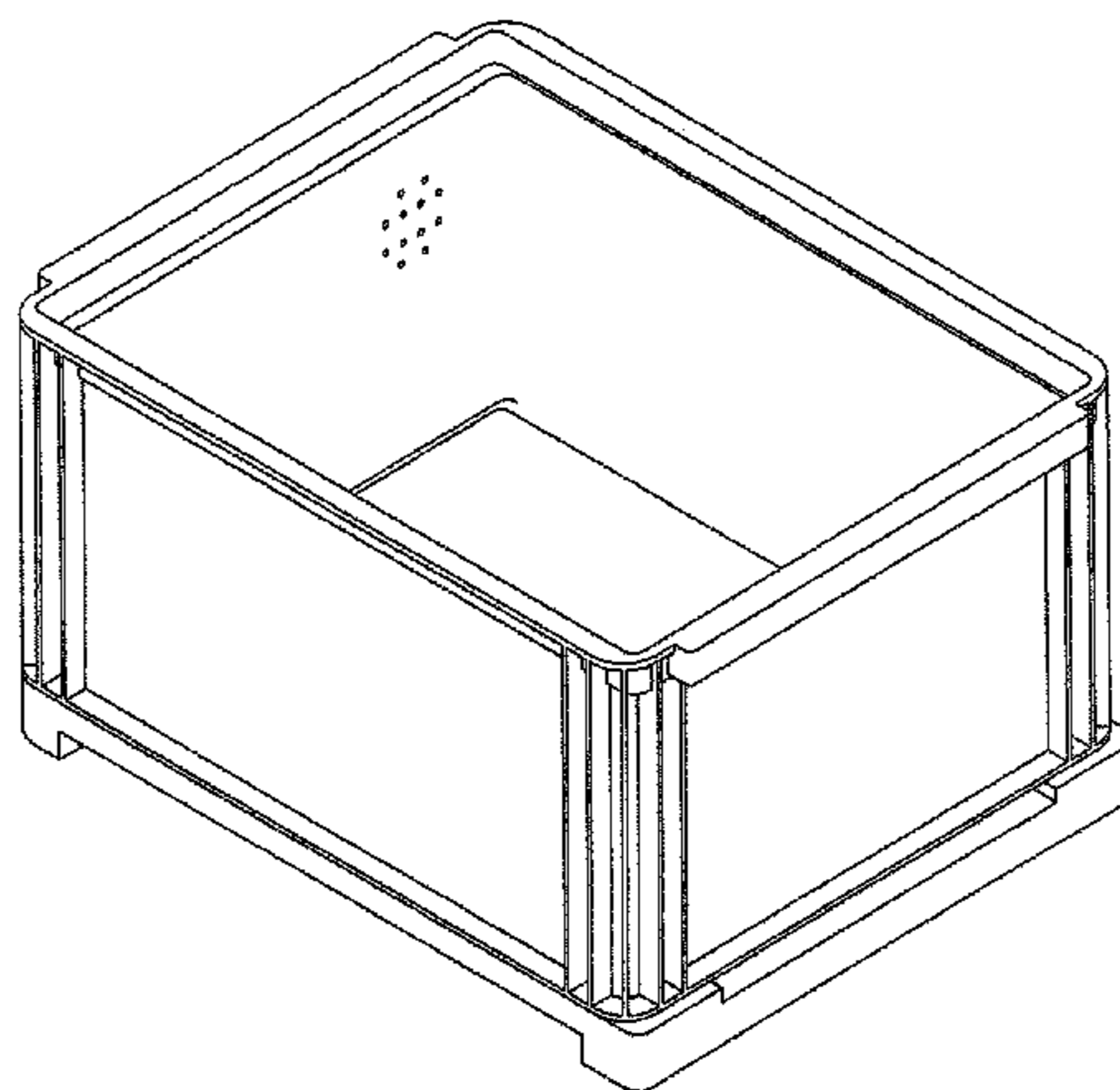
(57) **CLAIM**

I claim the ornamental design for a beehive, as shown and described.

DESCRIPTION

FIG. 1 is a front perspective view of the beehive showing my new design;
FIG. 2 is a rear perspective view thereof;
FIG. 3 is a front elevational view thereof;
FIG. 4 is a rear elevational view thereof;
FIG. 5 is a left side elevational view thereof;
FIG. 6 is a right side elevational view thereof;
FIG. 7 is a bottom plan view thereof; and,
FIG. 8 is a top plan view thereof.

1 Claim, 5 Drawing Sheets



U.S. PATENT DOCUMENTS

145,324 A 12/1873 Adams
 178,614 A 6/1876 Elliott et al.
 182,338 A 9/1876 Walthall
 184,778 A 11/1876 Hatfield
 196,060 A 10/1877 Train
 199,328 A 1/1878 Strawser
 252,134 A 1/1882 Overbey
 281,483 A 7/1883 French
 327,268 A 9/1885 Heddon
 330,353 A 11/1885 Stover
 383,737 A 5/1888 Laser
 400,517 A 4/1889 Tinker et al.
 402,002 A 4/1889 Danzenbaker
 424,844 A 1/1890 Baird
 468,783 A 2/1892 Brewer
 489,696 A 1/1893 Steward
 846,517 A 3/1907 Spierling
 1,048,950 A 12/1912 Danzenbaker
 1,068,196 A 7/1913 Wood
 1,203,675 A 11/1916 Wood
 1,270,507 A 6/1918 Fleming
 1,387,734 A 8/1921 Nitsch et al.
 1,441,524 A 1/1923 Platten
 1,468,995 A * 9/1923 Cottam 449/25
 1,659,640 A 4/1927 Smith
 1,857,709 A 5/1932 Benton
 1,893,431 A * 1/1933 Meier 449/30
 2,596,995 A 5/1947 Hamilton
 2,522,511 A * 9/1950 Hageman 449/10
 2,599,141 A * 6/1952 Taylor 449/12
 2,634,020 A * 4/1953 Bartholomew 220/675
 2,709,820 A 6/1955 Wahl
 3,002,650 A * 10/1961 Lovell 206/509
 3,110,044 A * 11/1963 Dullas 449/30
 3,410,441 A * 11/1968 Rhyne 220/4.28
 3,438,070 A * 4/1969 Florance 449/2
 D242,600 S * 12/1976 Box D3/311
 4,007,504 A 2/1977 West
 4,199,832 A * 4/1980 Glasscock et al. 449/30
 D257,995 S * 1/1981 Mikkelsen et al. D3/302
 D275,903 S * 10/1984 Vasilash D3/314
 4,524,476 A * 6/1985 Adams, IV 449/27
 4,674,647 A * 6/1987 Gyenge et al. 220/6

4,981,458 A 1/1991 Johnston
 5,035,668 A * 7/1991 Ungar 449/6
 D330,813 S * 11/1992 Spitzer et al. D6/432
 5,509,846 A * 4/1996 Kueneman et al. 449/11
 D373,022 S * 8/1996 Sagol D3/279
 5,741,170 A 4/1998 Orletsky et al.
 5,895,310 A 4/1999 Otomo et al.
 5,913,580 A * 6/1999 Liu 312/108
 D448,568 S * 10/2001 Sadr D3/314
 6,450,858 B1 9/2002 Schmitz
 6,474,759 B2 * 11/2002 Hsu 312/263
 7,011,224 B2 * 3/2006 Sheng-Bin 220/6
 D518,708 S * 4/2006 Ohayon D3/298
 D519,734 S * 5/2006 Richardson et al. D3/294
 7,131,224 B1 * 11/2006 Elliott et al. 40/312
 D563,692 S * 3/2008 DeCarlo et al. D6/448
 7,387,350 B2 * 6/2008 Killinger et al. 312/290
 D583,172 S * 12/2008 Cassel D6/510
 7,481,183 B2 * 1/2009 Van Heygen 119/246
 D596,857 S * 7/2009 Ahlgrim et al. D3/307
 7,686,672 B2 * 3/2010 Katsampis 449/6
 D621,227 S * 8/2010 Connor D7/637
 2005/0023175 A1 * 2/2005 Freeland 206/512
 2005/0029260 A1 * 2/2005 Sheng-Bin 220/9.1

OTHER PUBLICATIONS

Bindaree Bee Supplies Online Catalog (2001), web site: www.bindaree.com.au/pricelists/products/plastic_hive.htm.
 Mother Lode Products. 2009 North American Beekeeping Conference (Jan. 2009), web site: <http://www.abfnet.org/files/guide%2009%20pg%2036-48%20web.pdf>.
 Bees Forever Plastics, American Bee Journal (Jan. 2009), p. 54.
 Printout from http://honeymoonapiaries.com/web_beekeeping/sys/Report46.htm, retrieved Mar. 30, 2009.
 Printout from http://honeymoonapiaries.com/web_beekeeping/sys/Report32.htm, retrieved Mar. 30, 2009.
 Printout from http://honeymoonapiaries.com/web_beekeeping/sys/Report20.htm, retrieved Mar. 30, 2009.
 Printout from http://honeymoonapiaries.com/web_beekeeping/sys/Report13.htm, retrieved Mar. 30, 2009.
 Printout from http://honeymoonapiaries.com/web_beekeeping/sys/Report34.htm, retrieved Mar. 30, 2009.

* cited by examiner

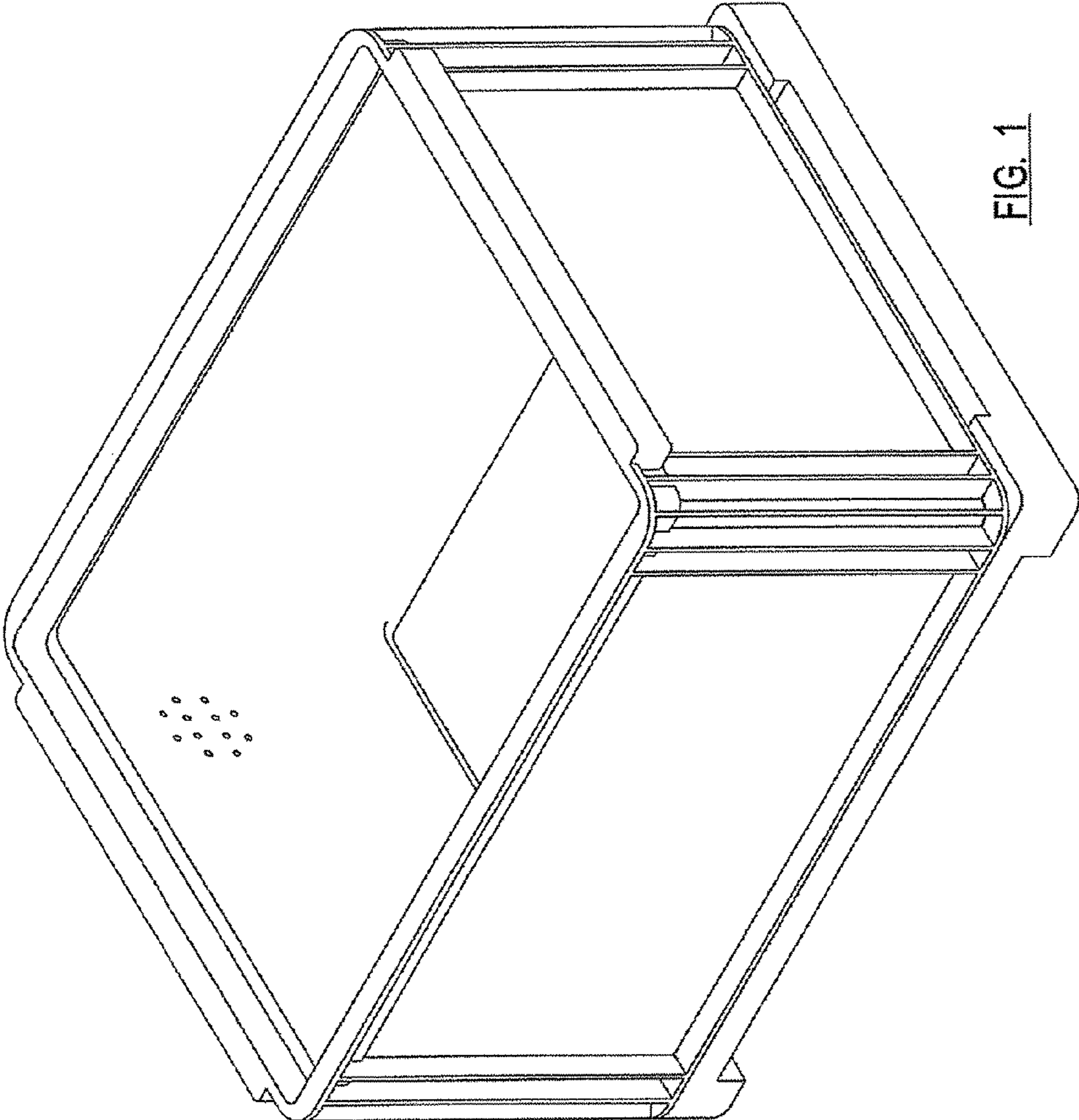


FIG. 1

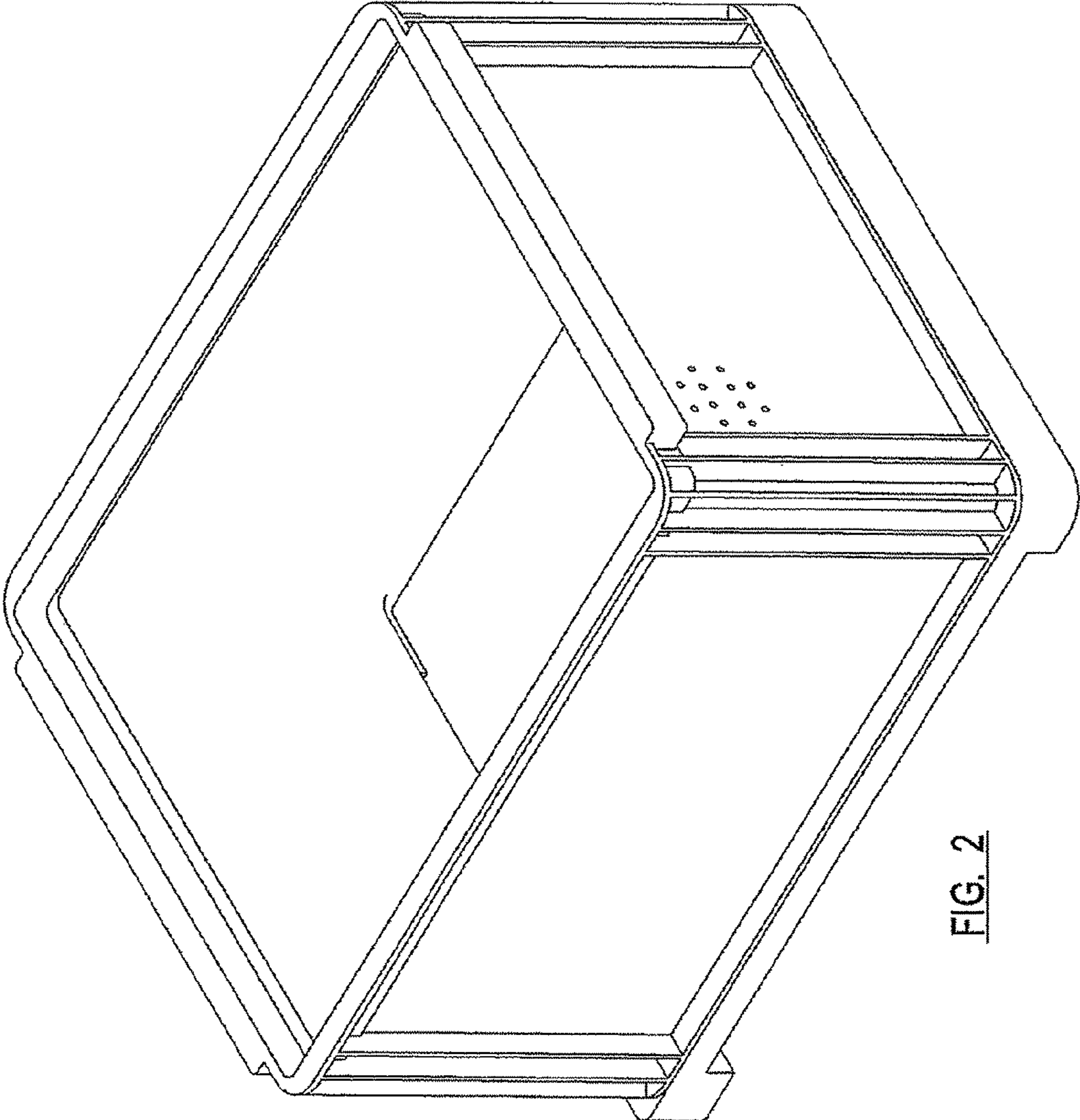


FIG. 2

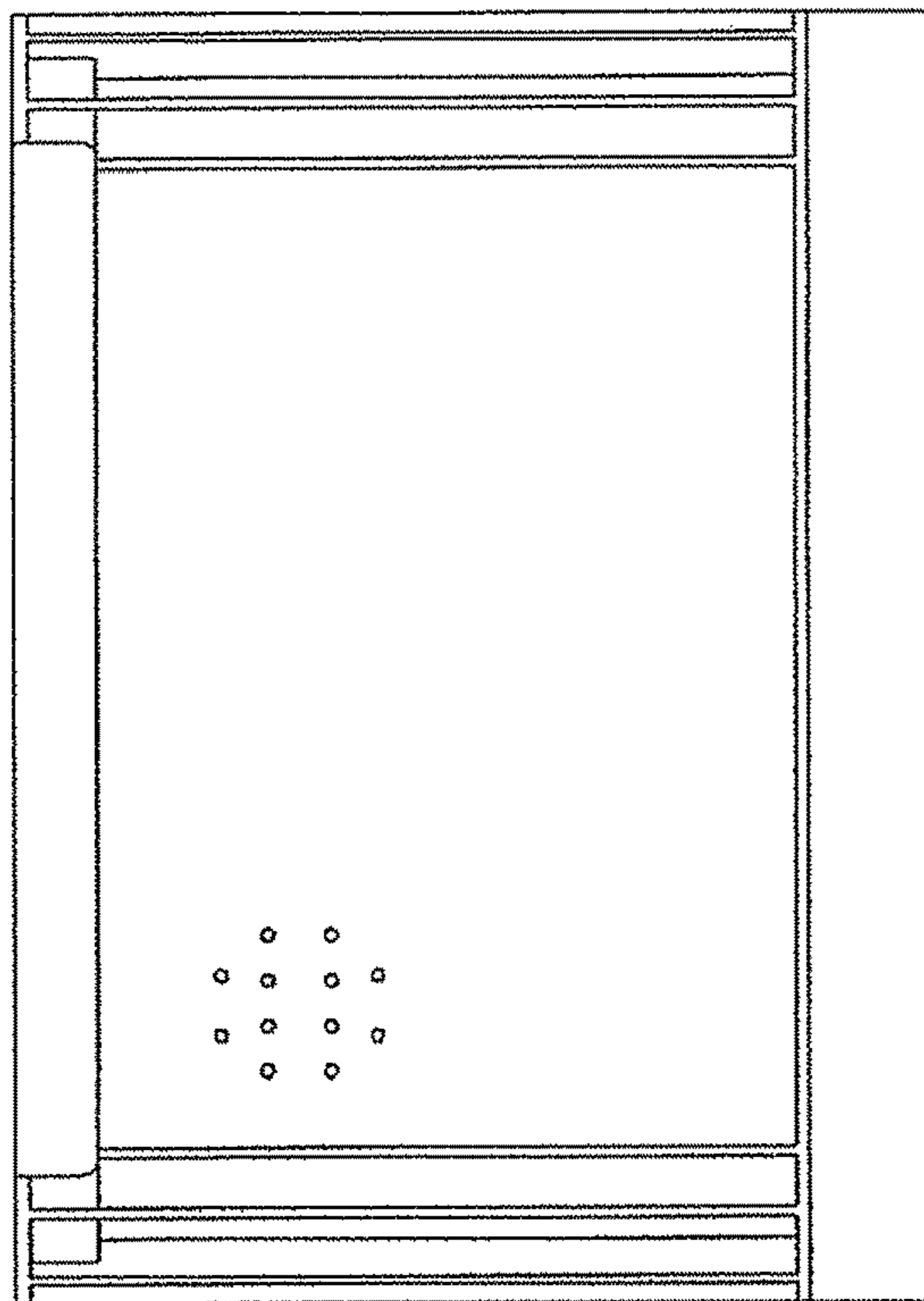


FIG. 4

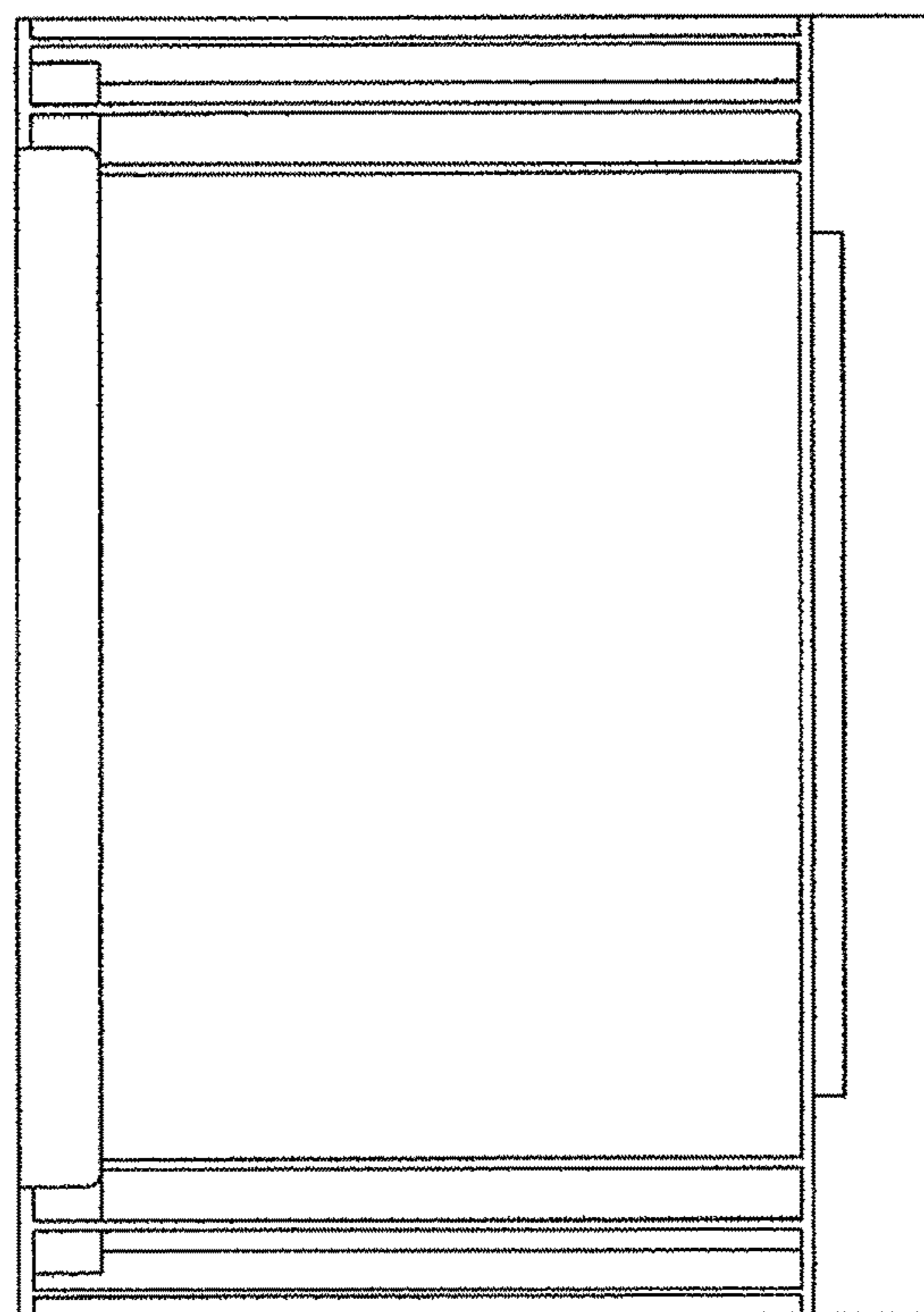


FIG. 3

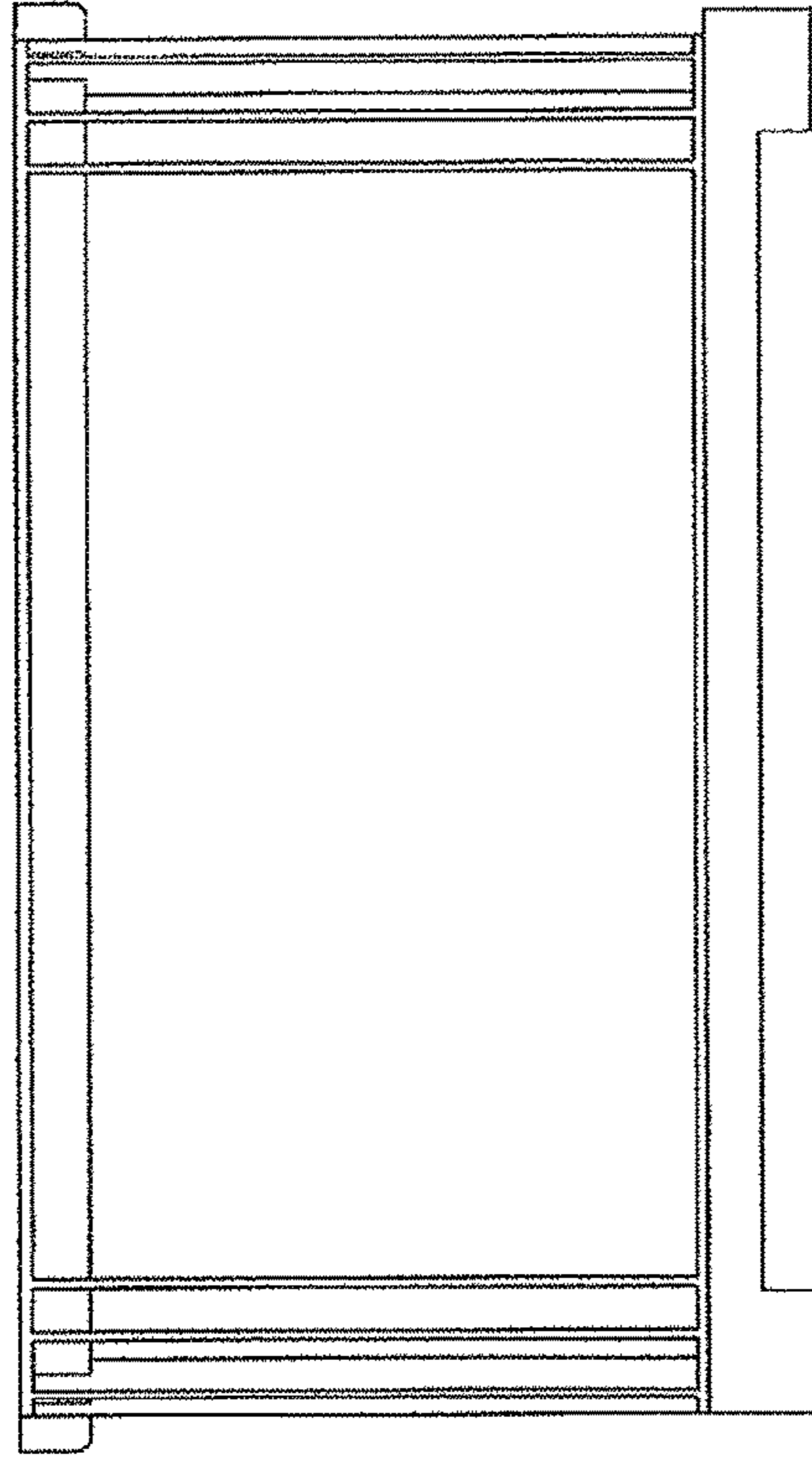


FIG. 6

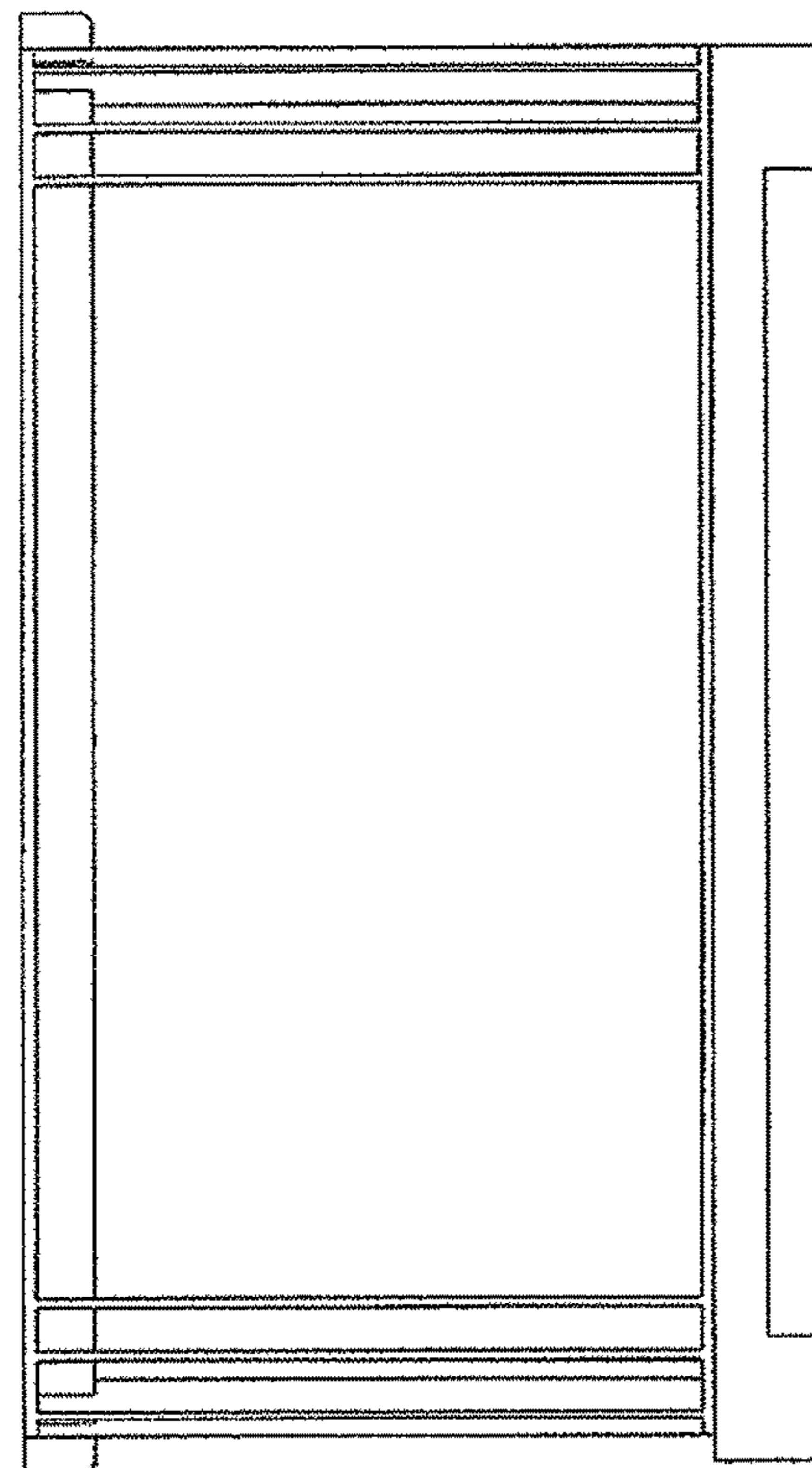


FIG. 5

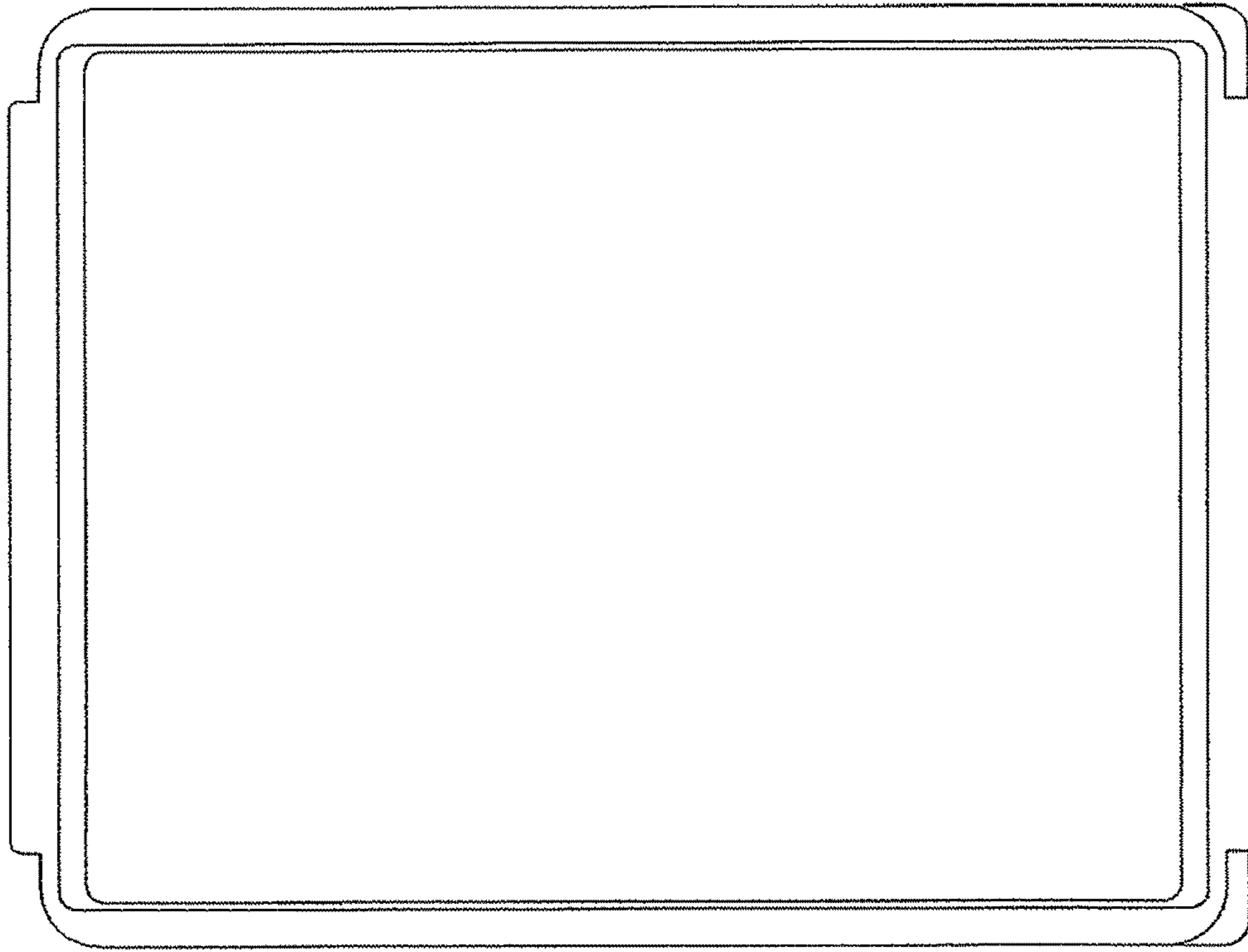


FIG. 8

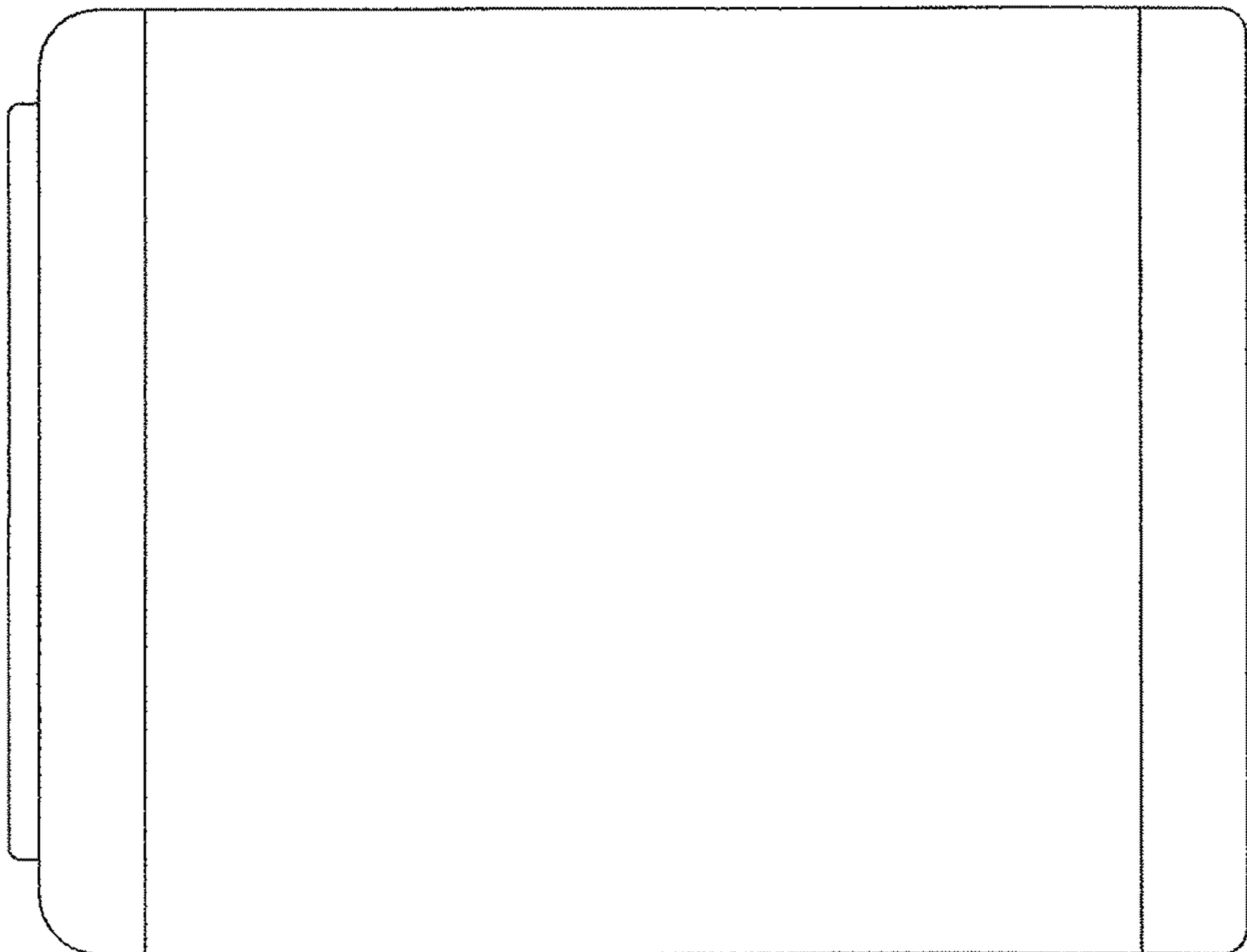


FIG. 7