



US00D629162S

(12) **United States Design Patent**
Daniel

(10) **Patent No.:** **US D629,162 S**

(45) **Date of Patent:** **** Dec. 14, 2010**

(54) **NOISE SHIELD WITH A DETACHABLE ELEMENT**

(75) Inventor: **Isaac Sayo Daniel**, Miami, FL (US)

(73) Assignee: **F3M3 Companies, Inc.**, Miramar, FL (US)

(**) Term: **14 Years**

(21) Appl. No.: **29/346,553**

(22) Filed: **Nov. 2, 2009**

(51) **LOC (9) Cl.** **29-02**

(52) **U.S. Cl.** **D29/106**

(58) **Field of Classification Search** D29/102–107,
D29/109, 111, 122; 2/6.1, 6.3, 6.5, 6.7, 414,
2/421–425, 427, 468, 209.13, 175.6, 184.5,
2/10, 411; D2/882, 886, 893

See application file for complete search history.

(56) **References Cited**

U.S. PATENT DOCUMENTS

D289,568 S *	4/1987	Nimmons	D29/111
D289,569 S *	4/1987	Nimmons	D29/111
D358,686 S *	5/1995	Kraemer	D29/111
5,502,843 A *	4/1996	Strickland	2/424
5,708,988 A *	1/1998	McGuine et al.	2/425
5,724,681 A *	3/1998	Sykes	2/425
D465,067 S *	10/2002	Ide et al.	D29/106
D495,838 S *	9/2004	Arai	D29/107
D508,298 S *	8/2005	Bernacchi et al.	D29/111

D511,026 S *	10/2005	Ide et al.	D29/107
7,240,376 B2 *	7/2007	Ide et al.	2/425
D584,001 S *	12/2008	Hunter et al.	D29/106
D587,852 S *	3/2009	Nimmons	D29/106
D587,853 S *	3/2009	Nimmons	D29/106
D587,855 S *	3/2009	Nimmons et al.	D29/106
D587,857 S *	3/2009	Nimmons et al.	D29/122
D590,106 S *	4/2009	Nimmons	D29/122

* cited by examiner

Primary Examiner—Ruth McInroy

(74) *Attorney, Agent, or Firm*—Carol N. Green, Esq.

(57) **CLAIM**

I claim the ornamental design for a noise shield with a detachable element, as shown and described.

DESCRIPTION

FIG. 1 is a top, front perspective view of a noise shield with a detachable element showing my new design;

FIG. 2 is a bottom, front perspective view thereof;

FIG. 3 is a right side elevational view thereof;

FIG. 4 is a front elevational view thereof;

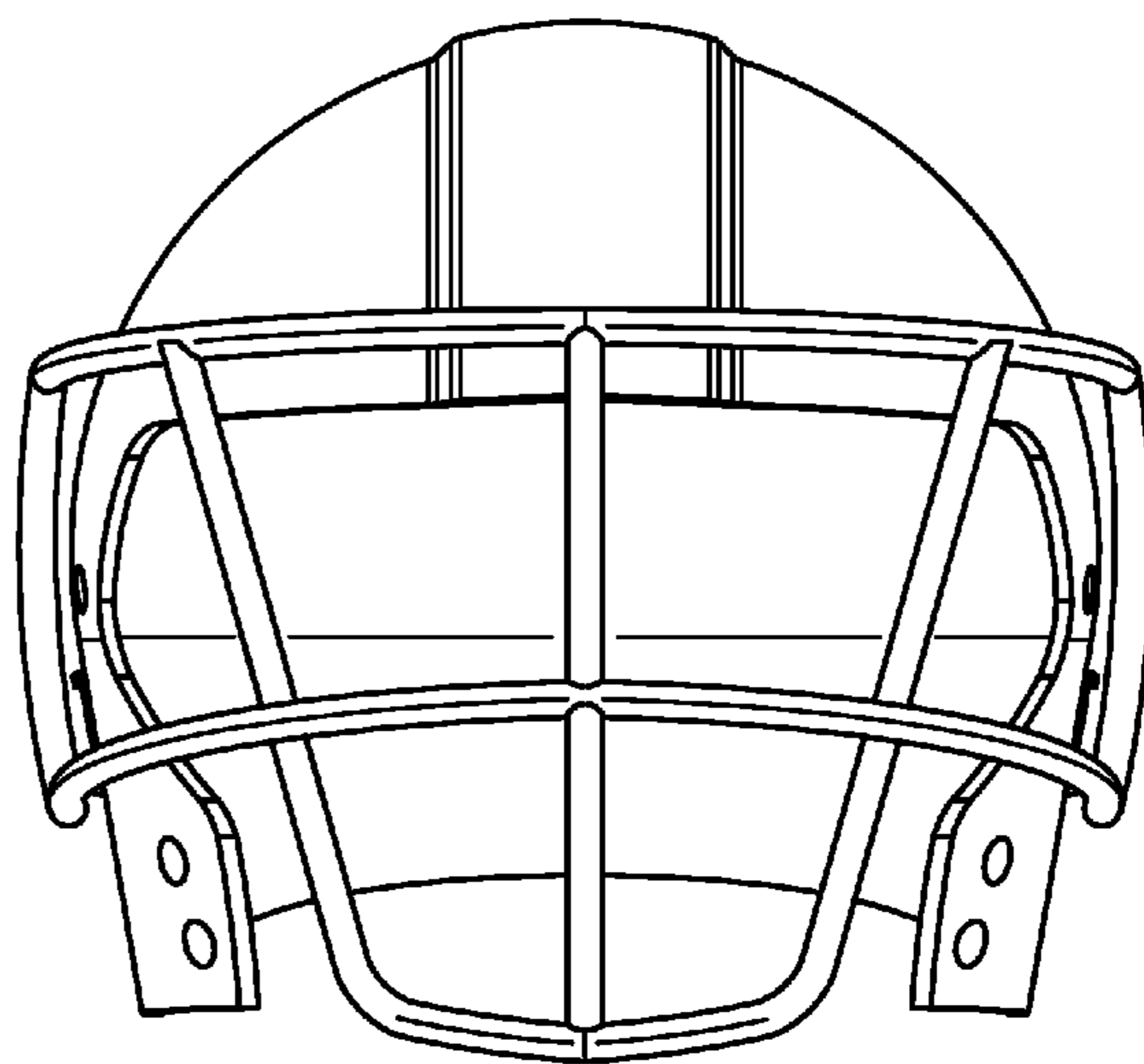
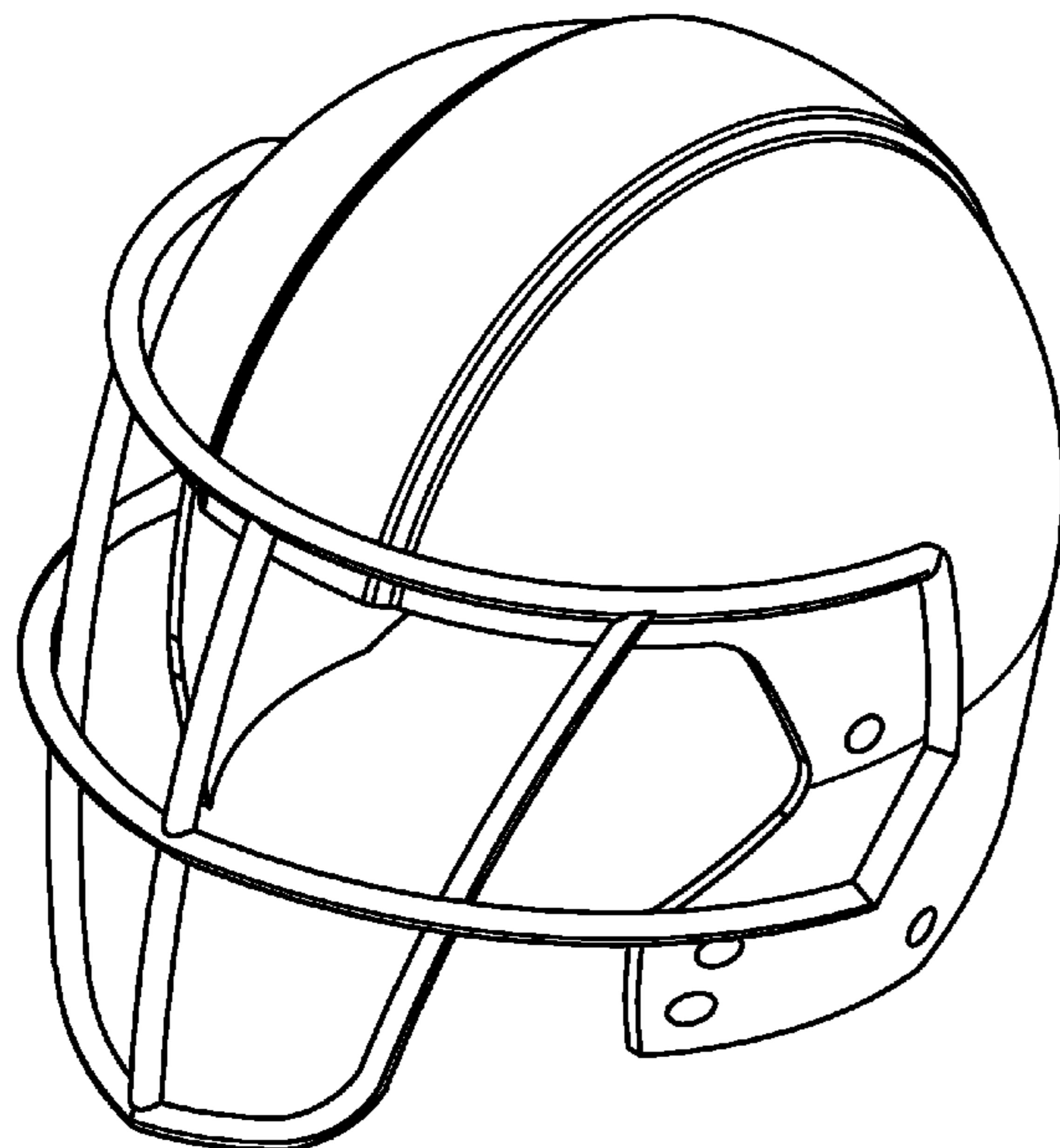
FIG. 5 is a left side elevational view thereof;

FIG. 6 is a rear elevational view thereof;

FIG. 7 is a top plan view thereof; and,

FIG. 8 is a bottom plan view thereof.

1 Claim, 4 Drawing Sheets



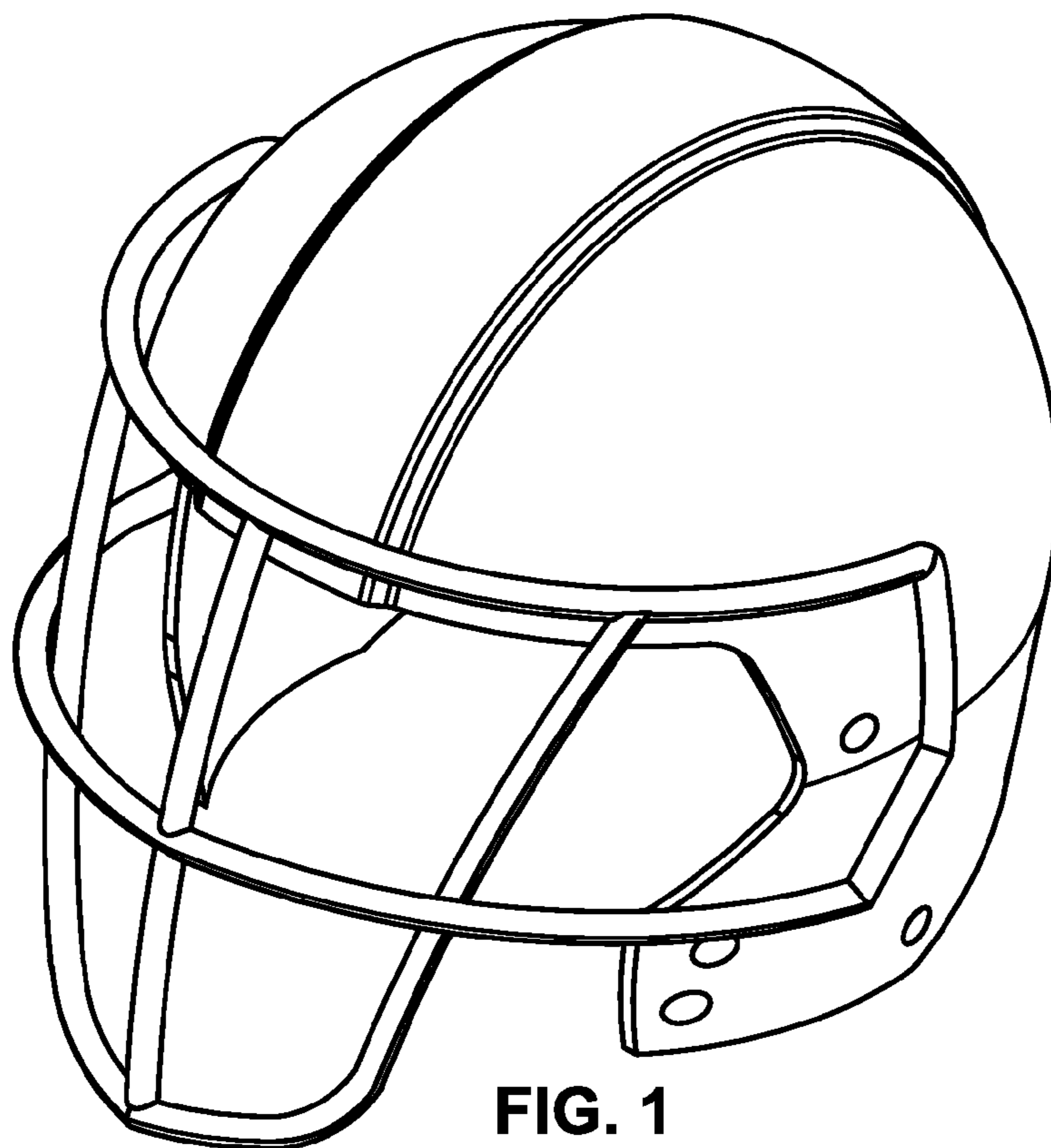


FIG. 1

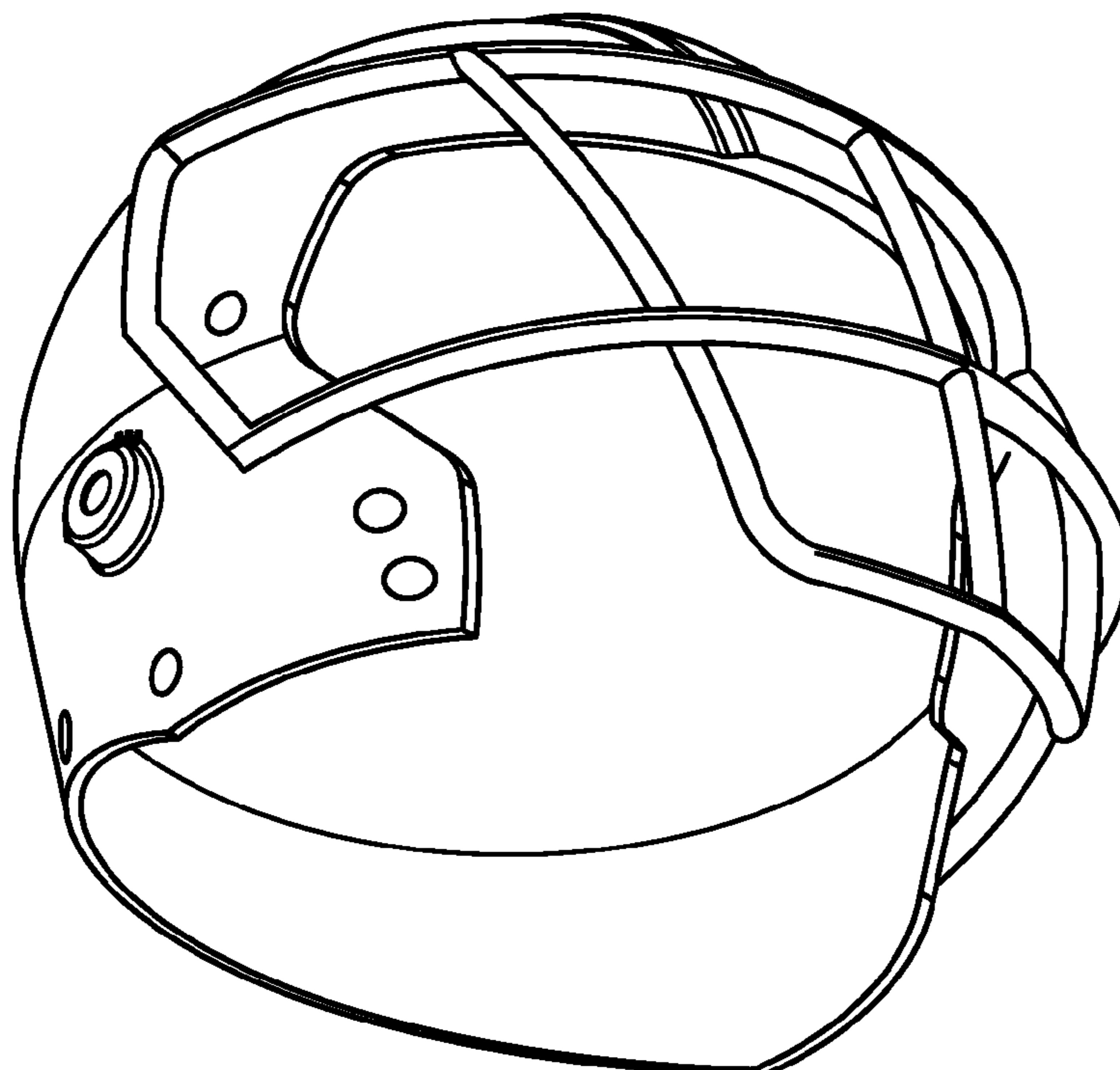


FIG. 2

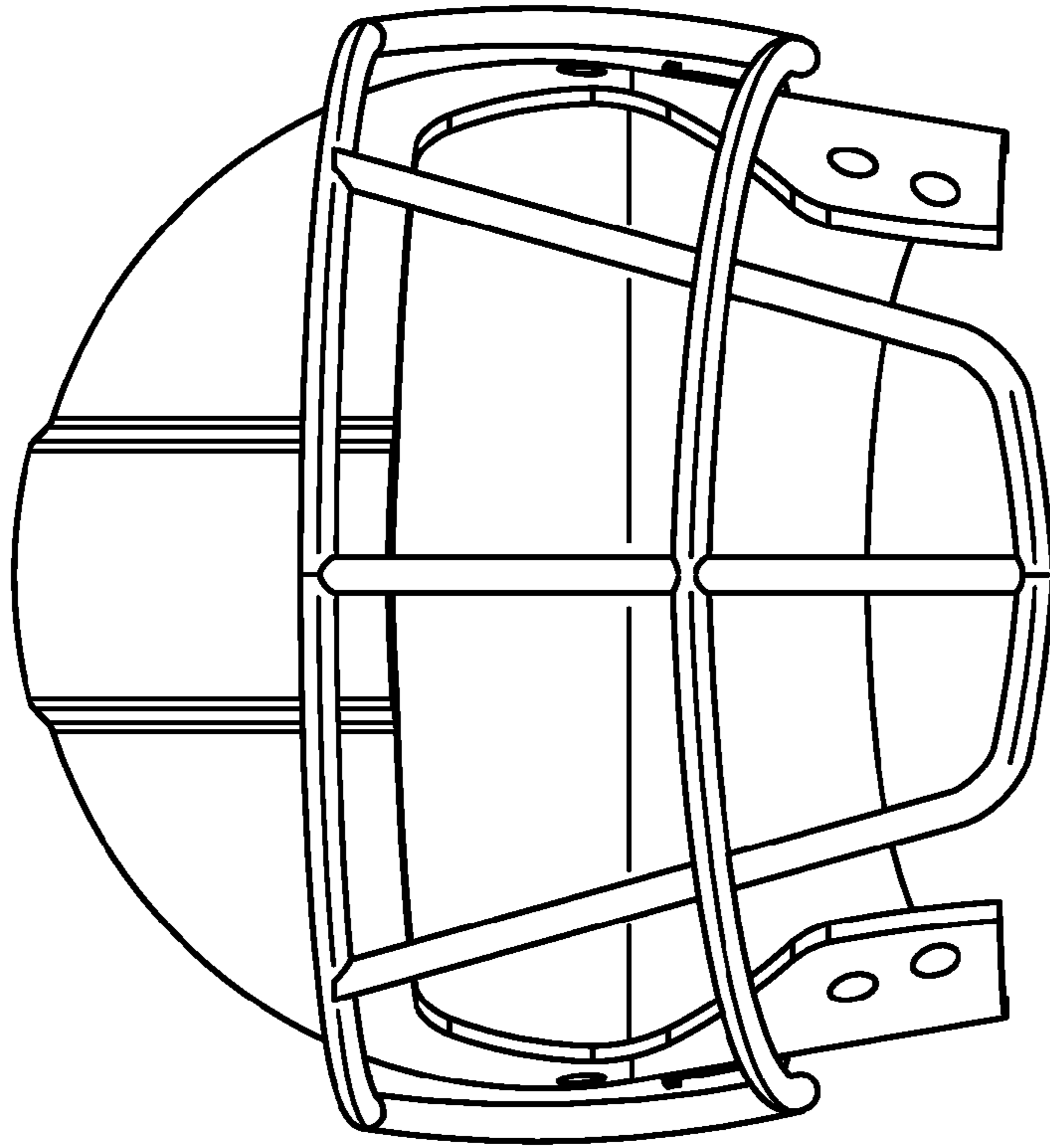


FIG. 4

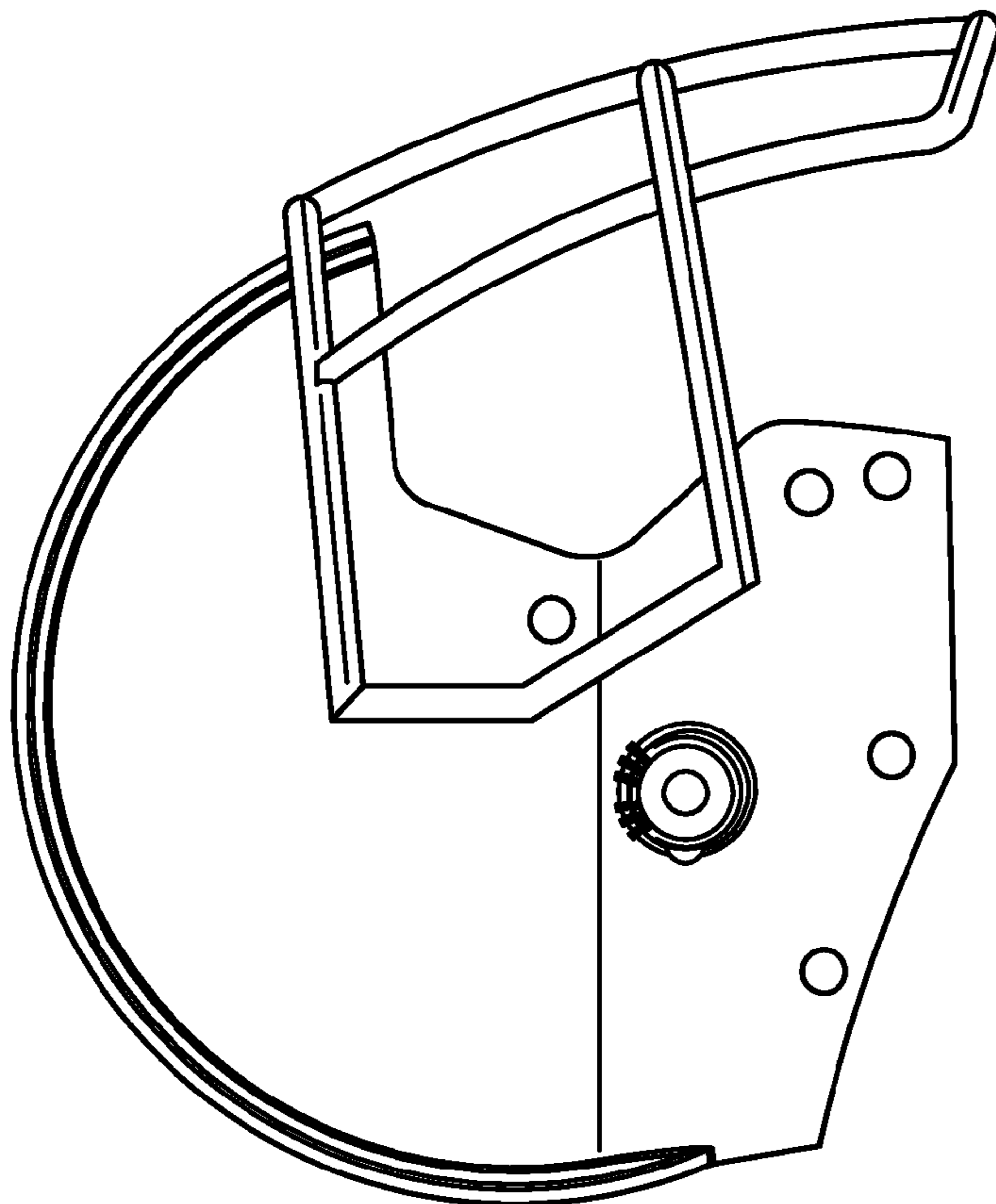


FIG. 3

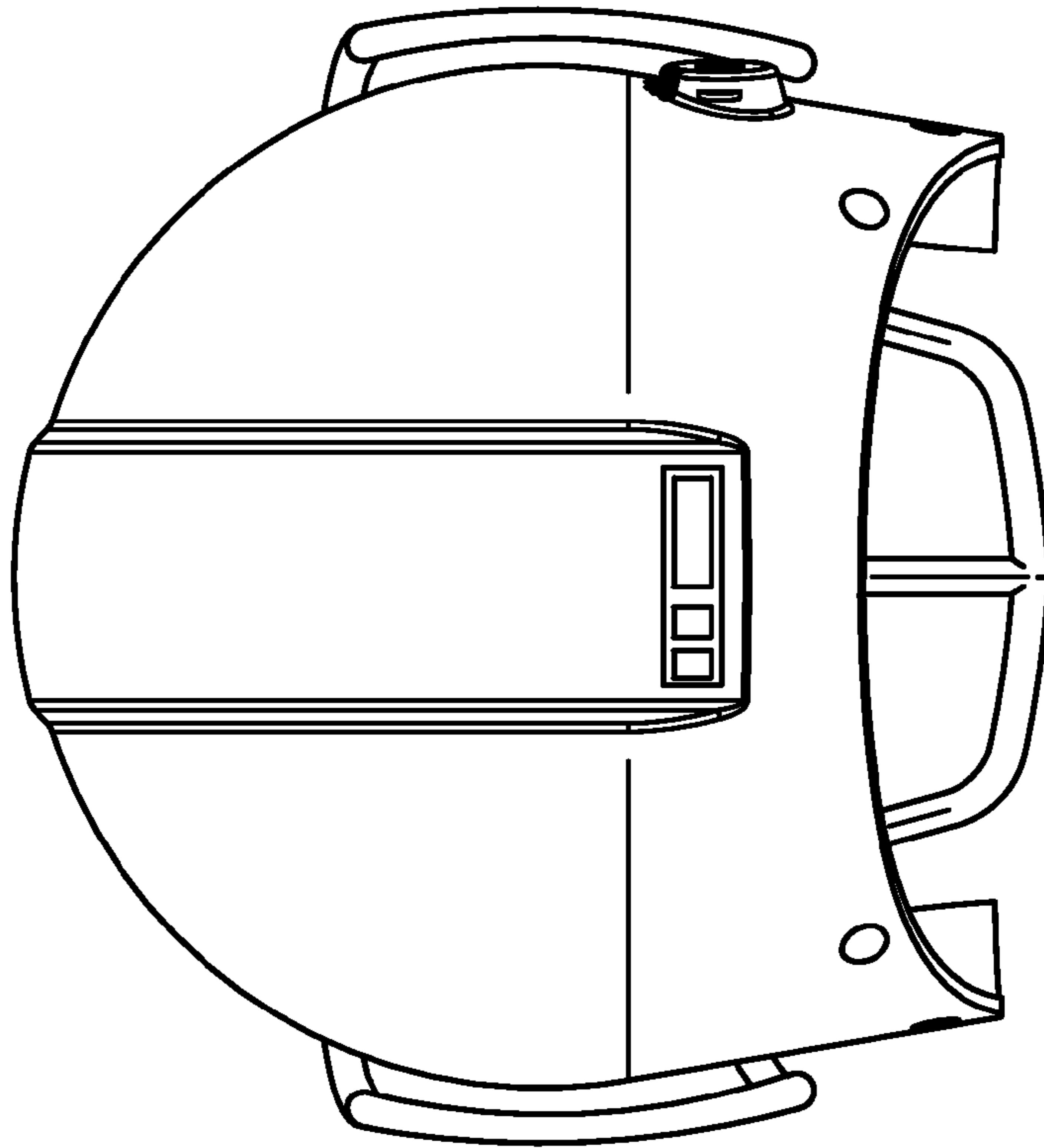


FIG. 6

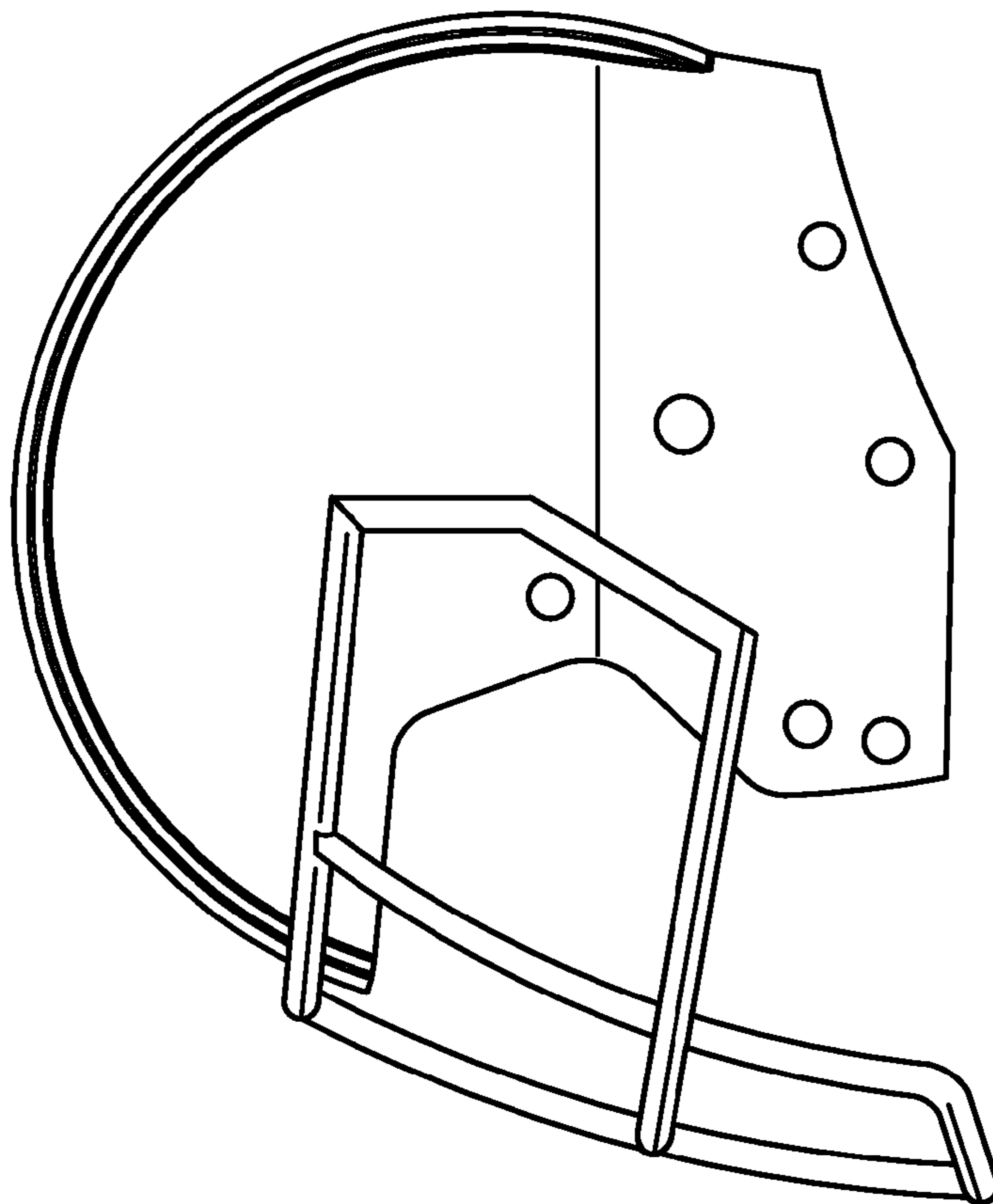


FIG. 5

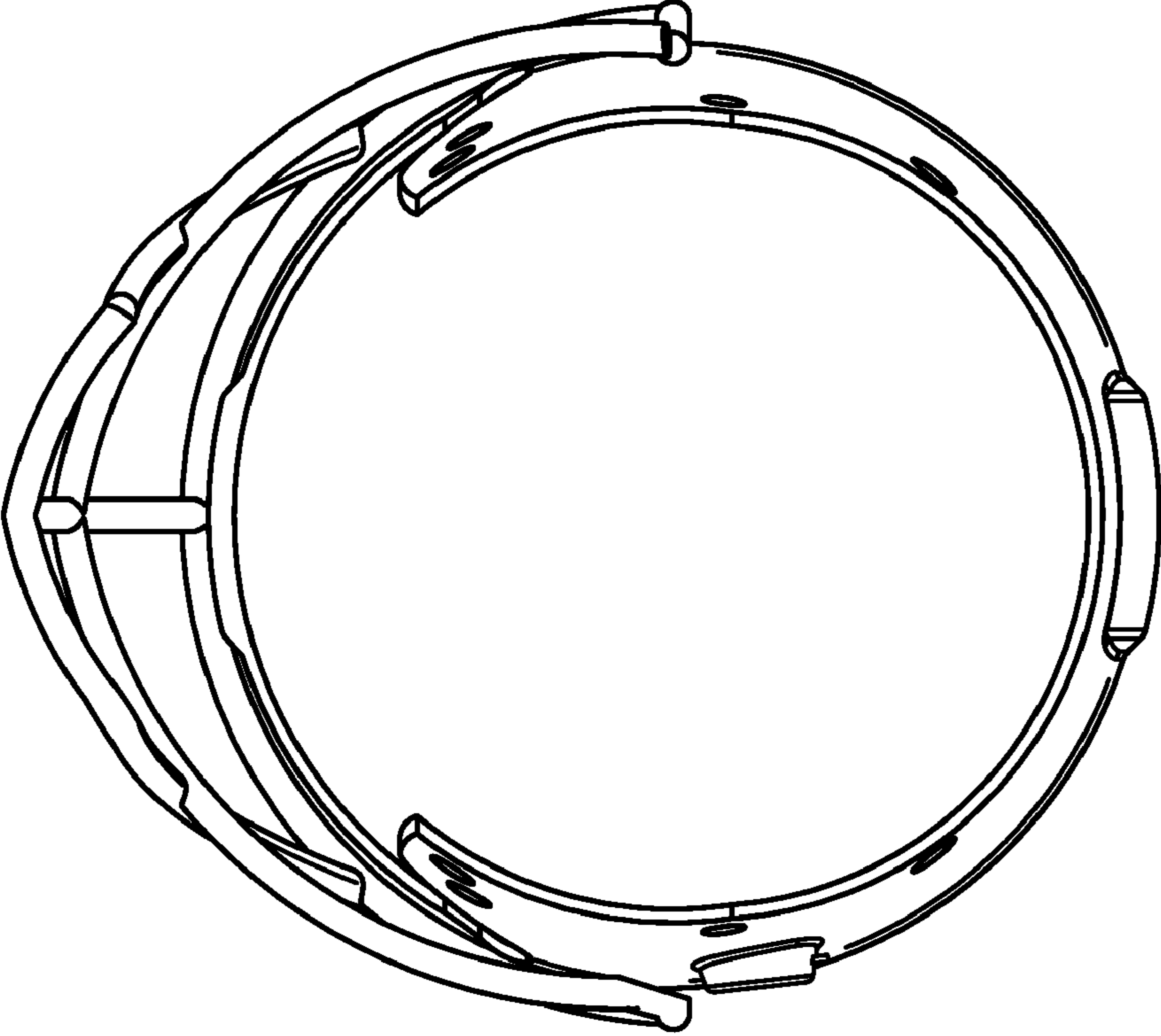


FIG. 8

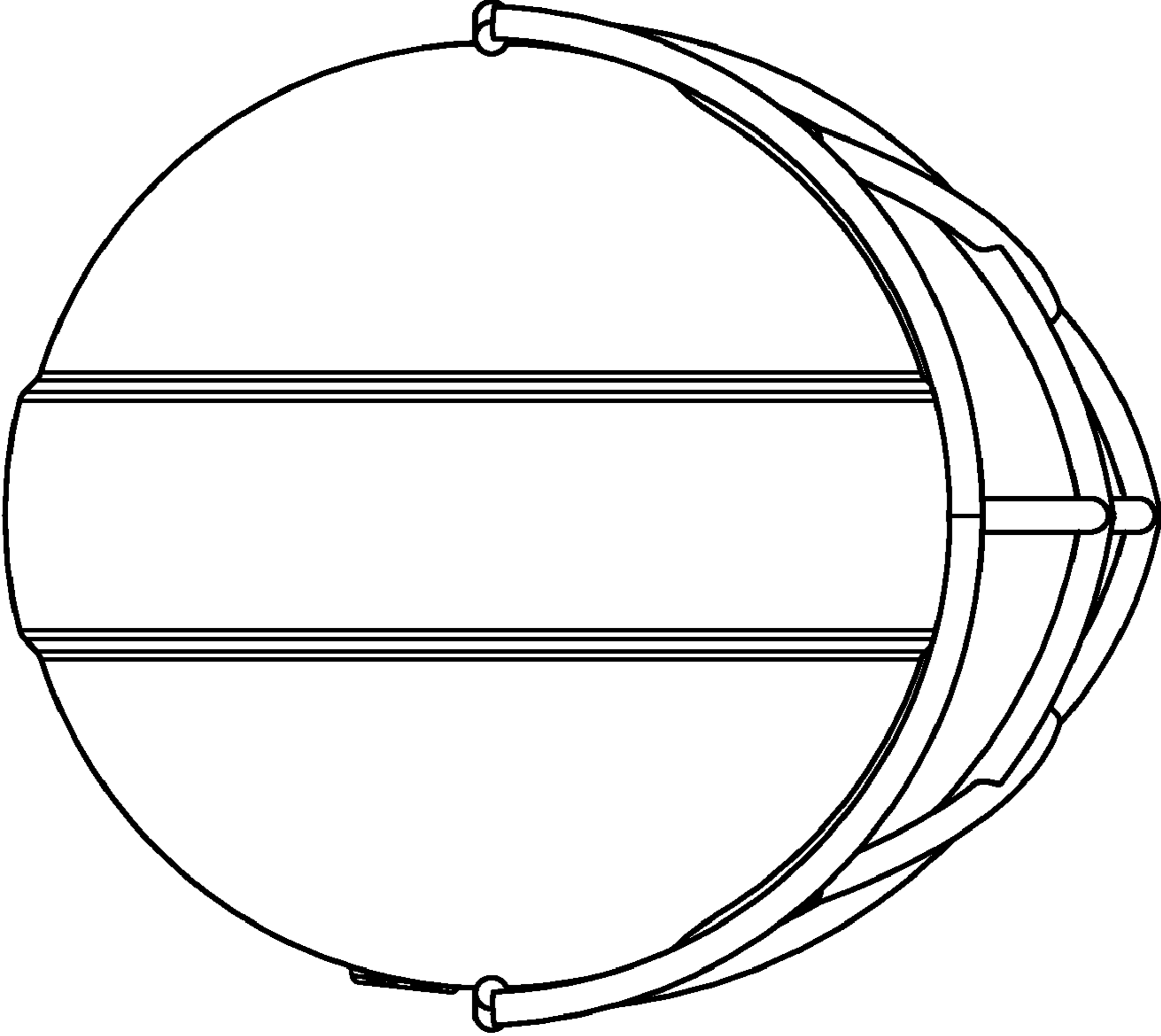


FIG. 7