



US00D629161S

(12) **United States Design Patent**
Farris

(10) **Patent No.:** **US D629,161 S**
(45) **Date of Patent:** **** Dec. 14, 2010**

(54) **NAIL TRIMMER**

(75) Inventor: **Mark S. Farris**, Ketchum, ID (US)

(73) Assignee: **Perscitus Innovations, LLC**, Ketchum, ID (US)

(**) Term: **14 Years**

(21) Appl. No.: **29/353,029**

(22) Filed: **Dec. 30, 2009**

(51) **LOC (9) Cl.** **28-03**

(52) **U.S. Cl.** **D28/60**

(58) **Field of Classification Search** D28/57,
D28/60; 132/73, 73.5, 75.3, 75.4, 75.5, 75.6,
132/76.2; 30/26–29, 186

See application file for complete search history.

(56) **References Cited**

U.S. PATENT DOCUMENTS

741,709	A	10/1903	Petrelli	
794,234	A	7/1905	La Casse	
843,383	A	2/1907	Wooster	
860,975	A	7/1907	Havell	
967,598	A	8/1910	Bader	
1,394,727	A	10/1921	Gronbech	
1,555,973	A	10/1925	Hoge	
2,570,025	A	10/1951	Davis	
2,616,436	A	11/1952	Langley	
3,744,131	A	7/1973	Manes	
5,392,518	A	2/1995	Means	
5,617,633	A	4/1997	Lee	
D439,375	S *	3/2001	Socarras D28/60
D446,886	S	8/2001	Park	
D466,251	S	11/2002	Park	
D468,865	S	1/2003	Park	
6,557,259	B1	5/2003	Nguyen	
6,705,014	B2	3/2004	Park	

6,735,869	B2	5/2004	Lau	
D497,221	S	10/2004	Yeung	
7,234,238	B2	6/2007	Wong	
D551,802	S *	9/2007	Rubin et al. D28/60
D594,156	S *	6/2009	Kita D28/60
2004/0205968	A1 *	10/2004	Choi 30/28

* cited by examiner

Primary Examiner—Jennifer Rivard

(74) *Attorney, Agent, or Firm*—Pedersen and Company, PLLC; Ken J. Pedersen; Barbara S. Pedersen

(57) **CLAIM**

The ornamental design for a nail trimmer, as shown and described.

DESCRIPTION

FIG. 1 is a right-side view of the present invention in the opened position.

FIG. 2 is a left-side view thereof.

FIG. 3 is a top view thereof.

FIG. 4 is a bottom view thereof.

FIG. 5 is a front view thereof.

FIG. 6 is a back view thereof.

FIG. 7 is a top, right-side perspective view thereof.

FIG. 8 is a perspective view of the present invention in the closed position.

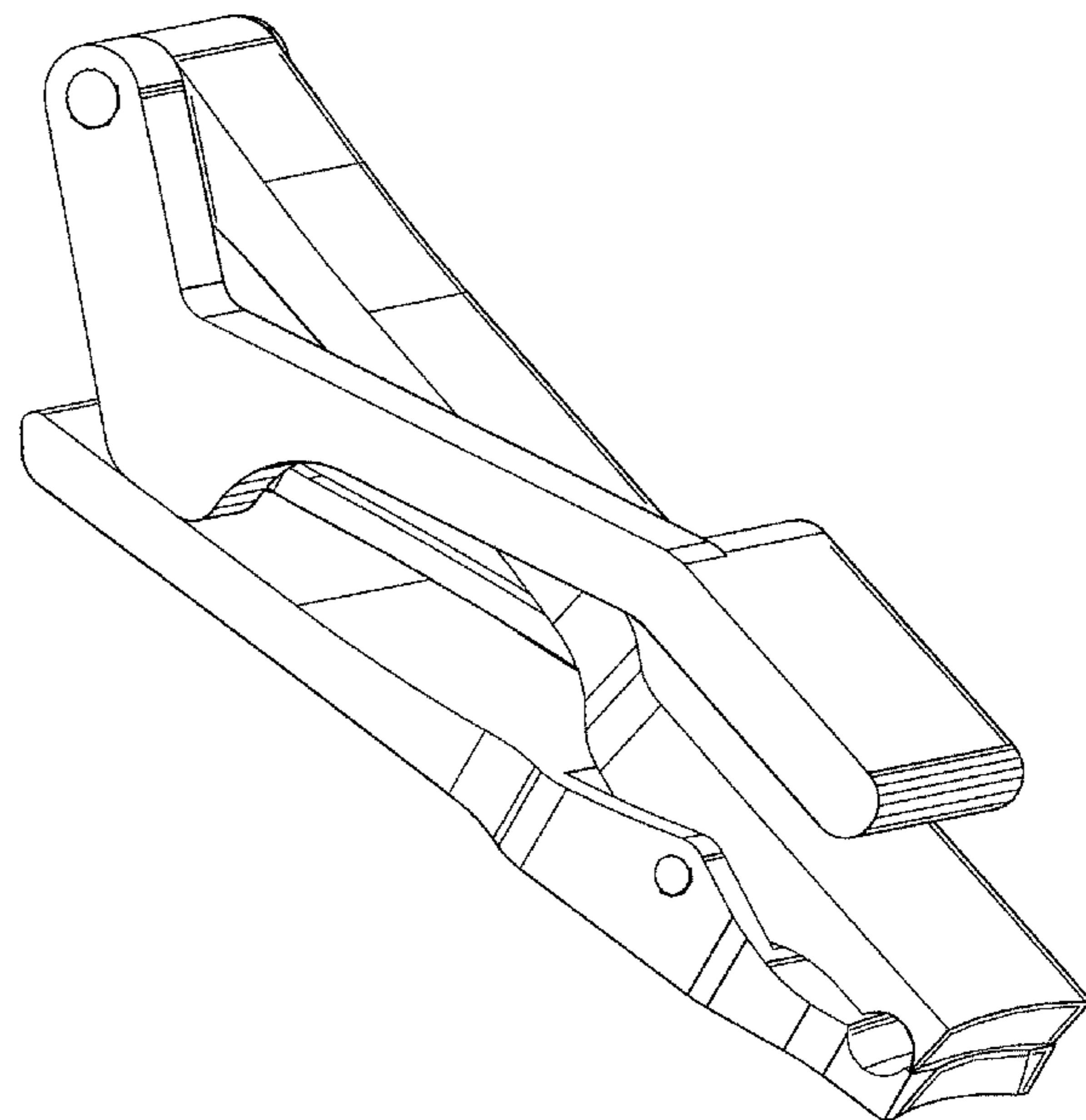
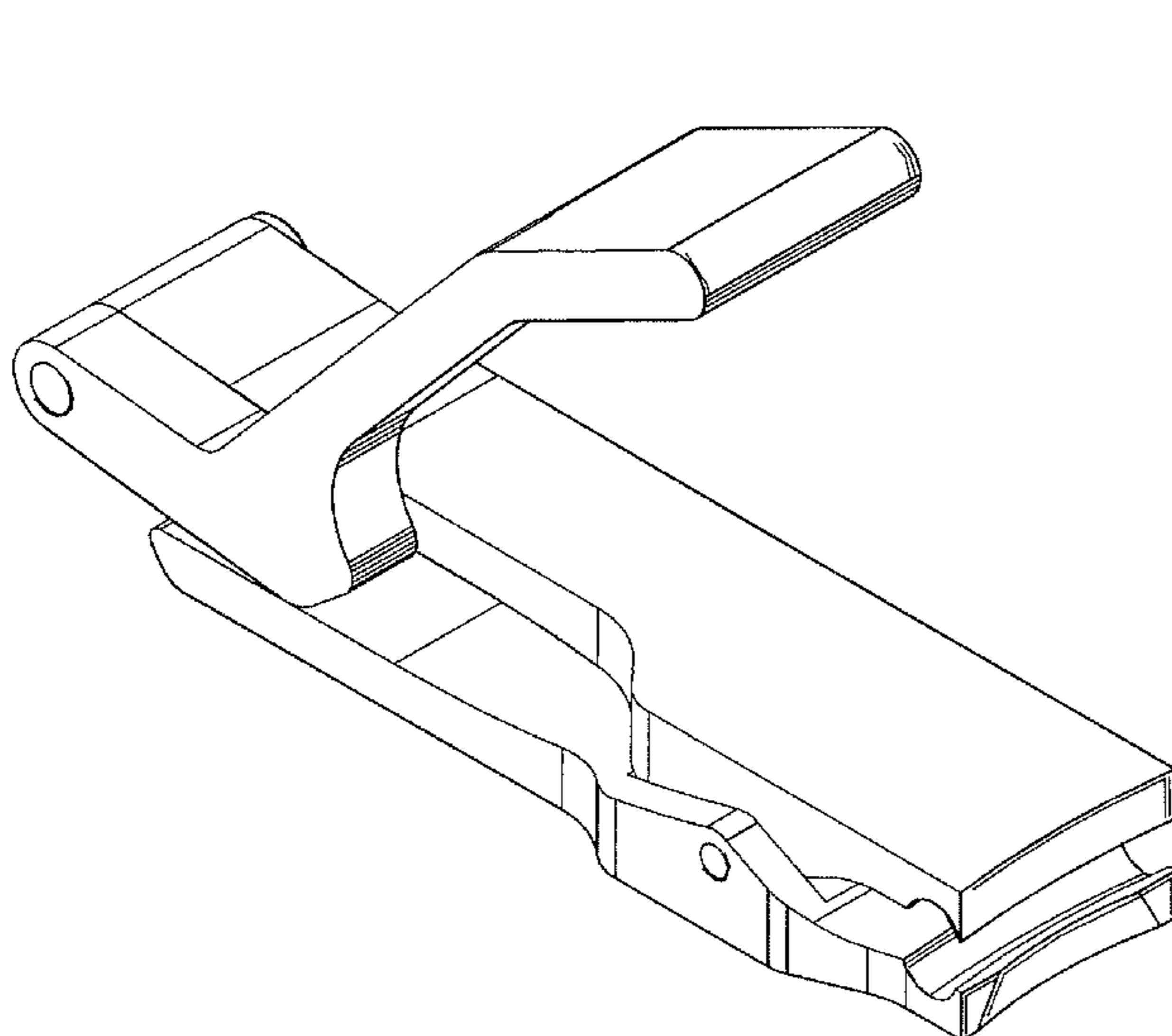
FIG. 9 is a left-side view thereof.

FIG. 10 is a top, right-side perspective view of the present invention in the stored, open position.

FIG. 11 is a left-side view thereof; and,

FIG. 12 is a right-side view thereof.

1 Claim, 10 Drawing Sheets



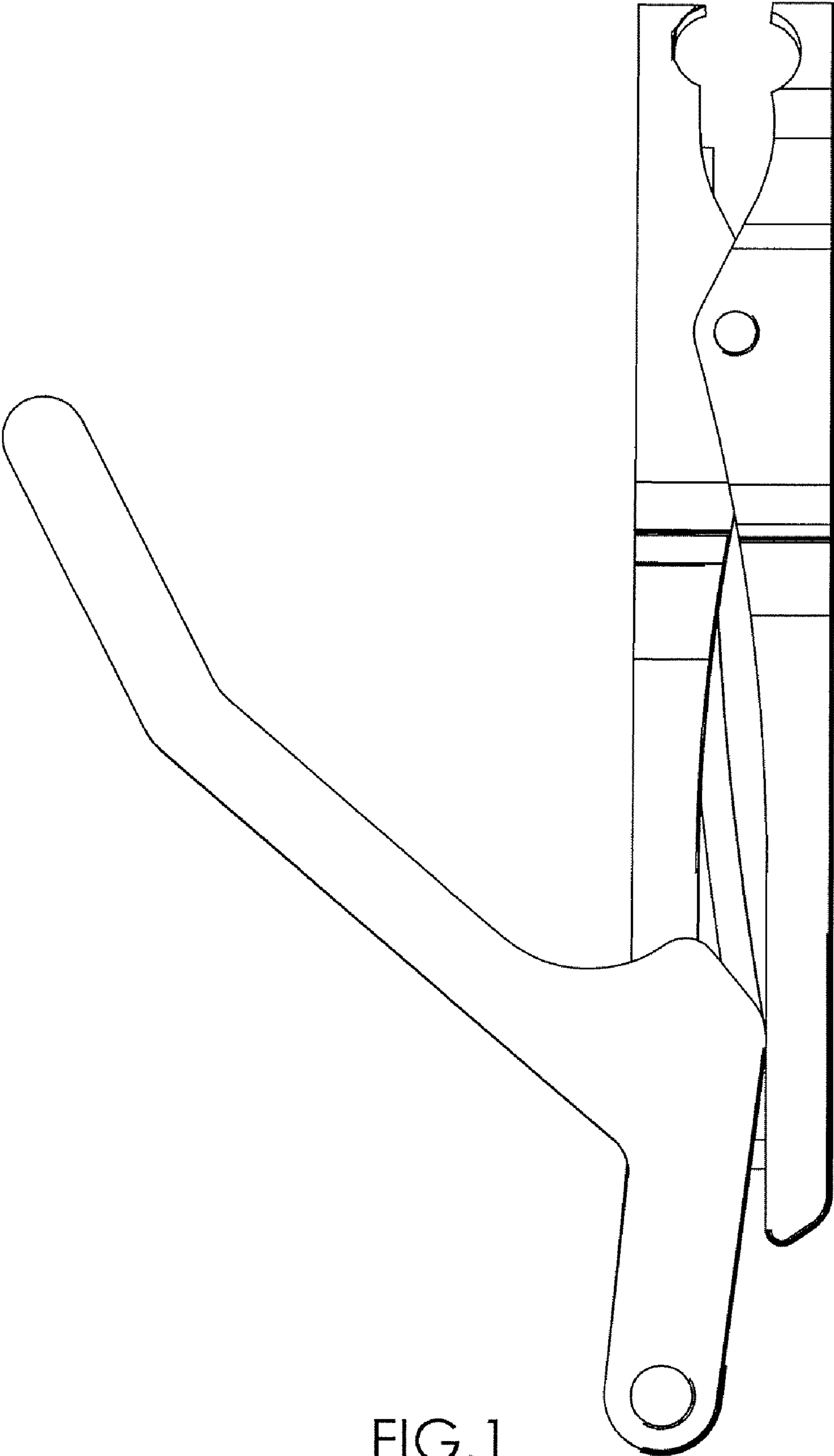


FIG. 1

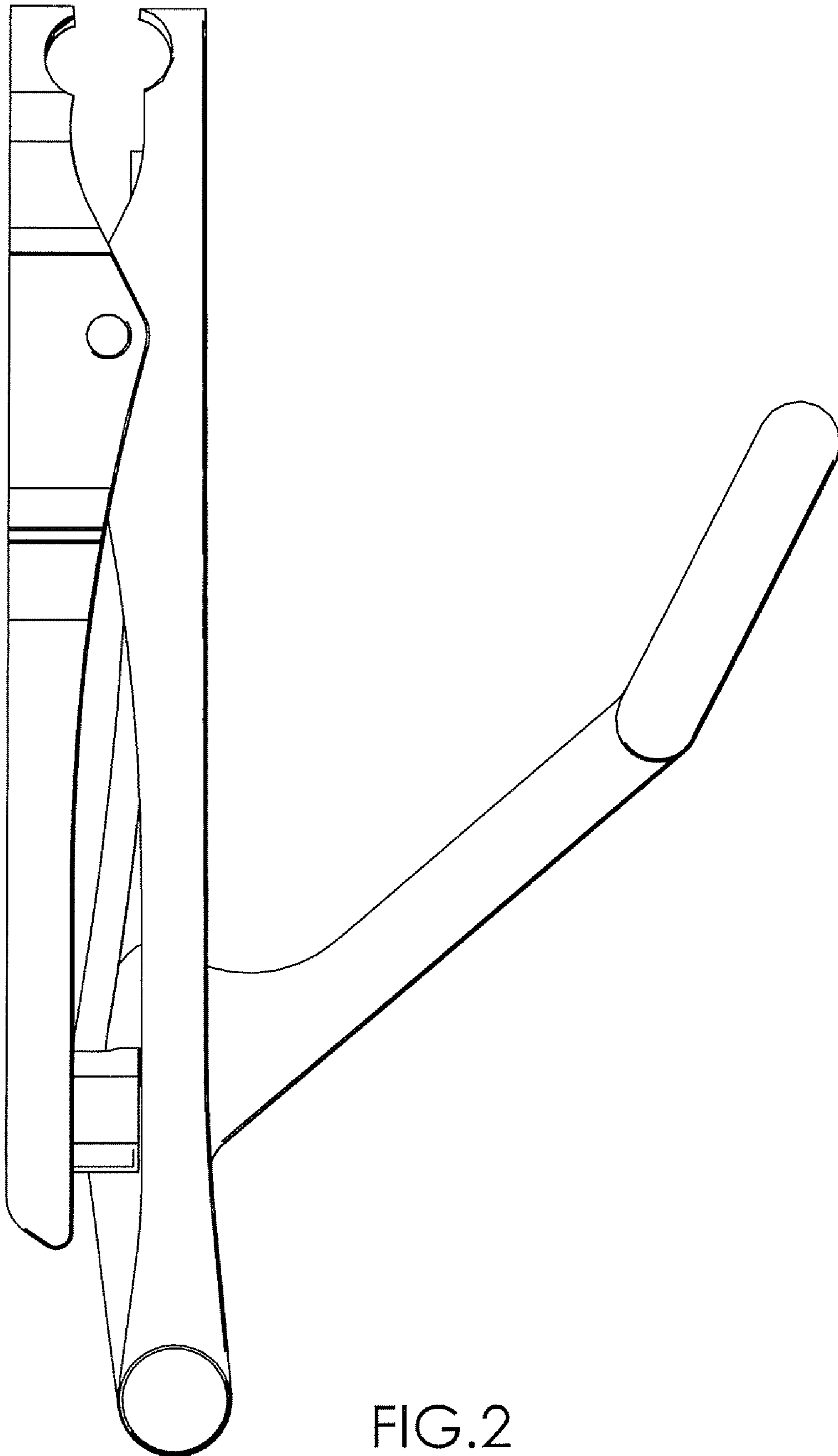


FIG. 2

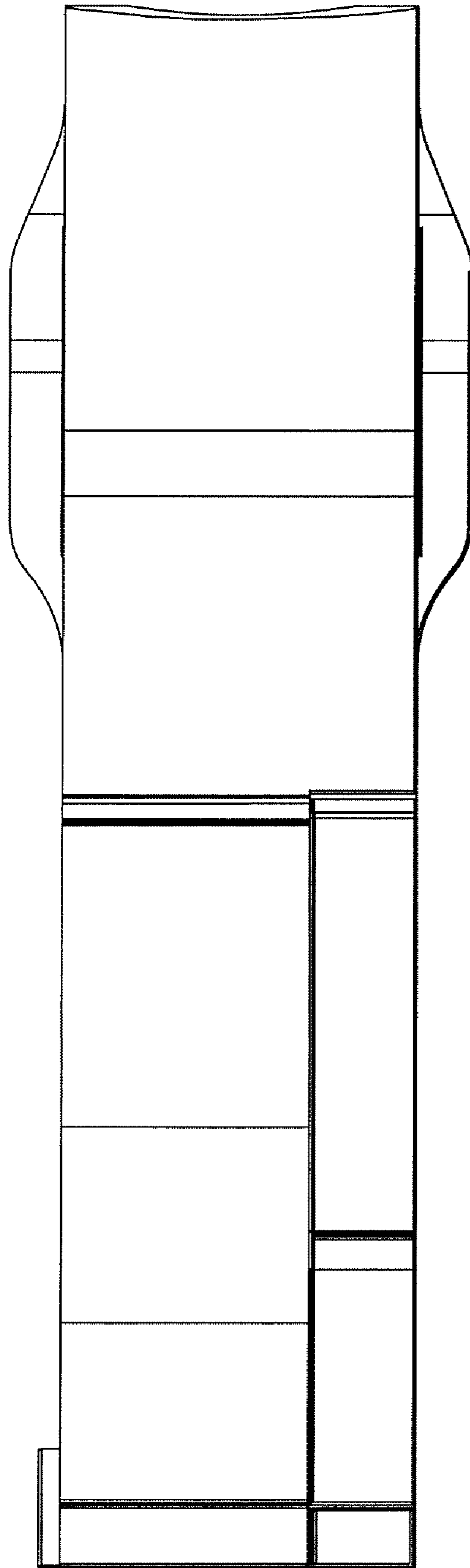


FIG.3

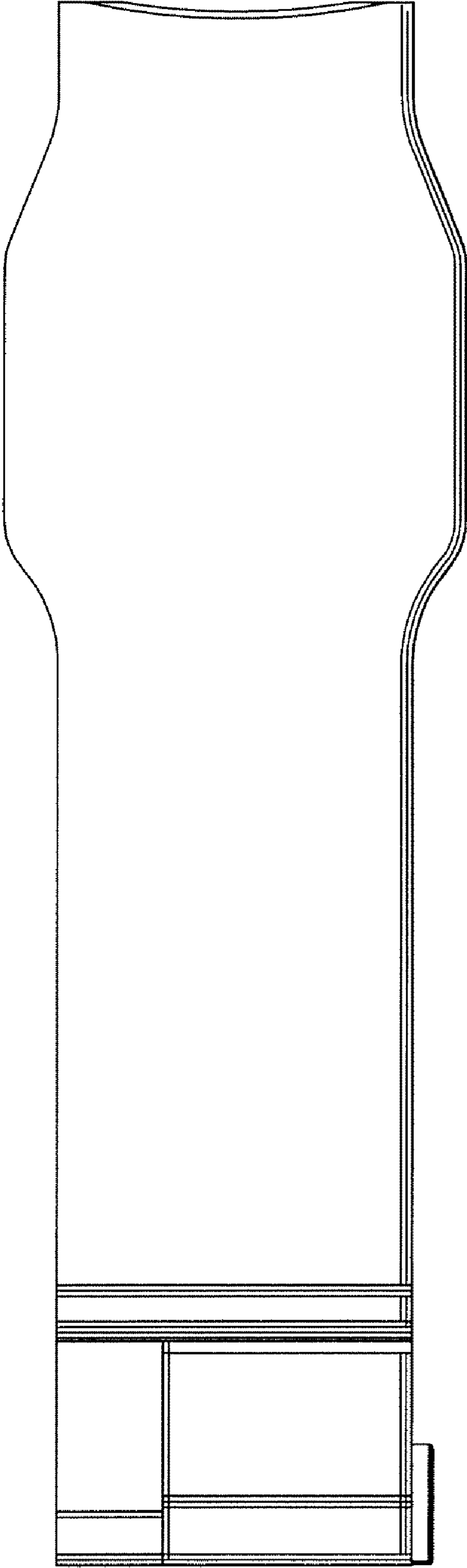


FIG.4

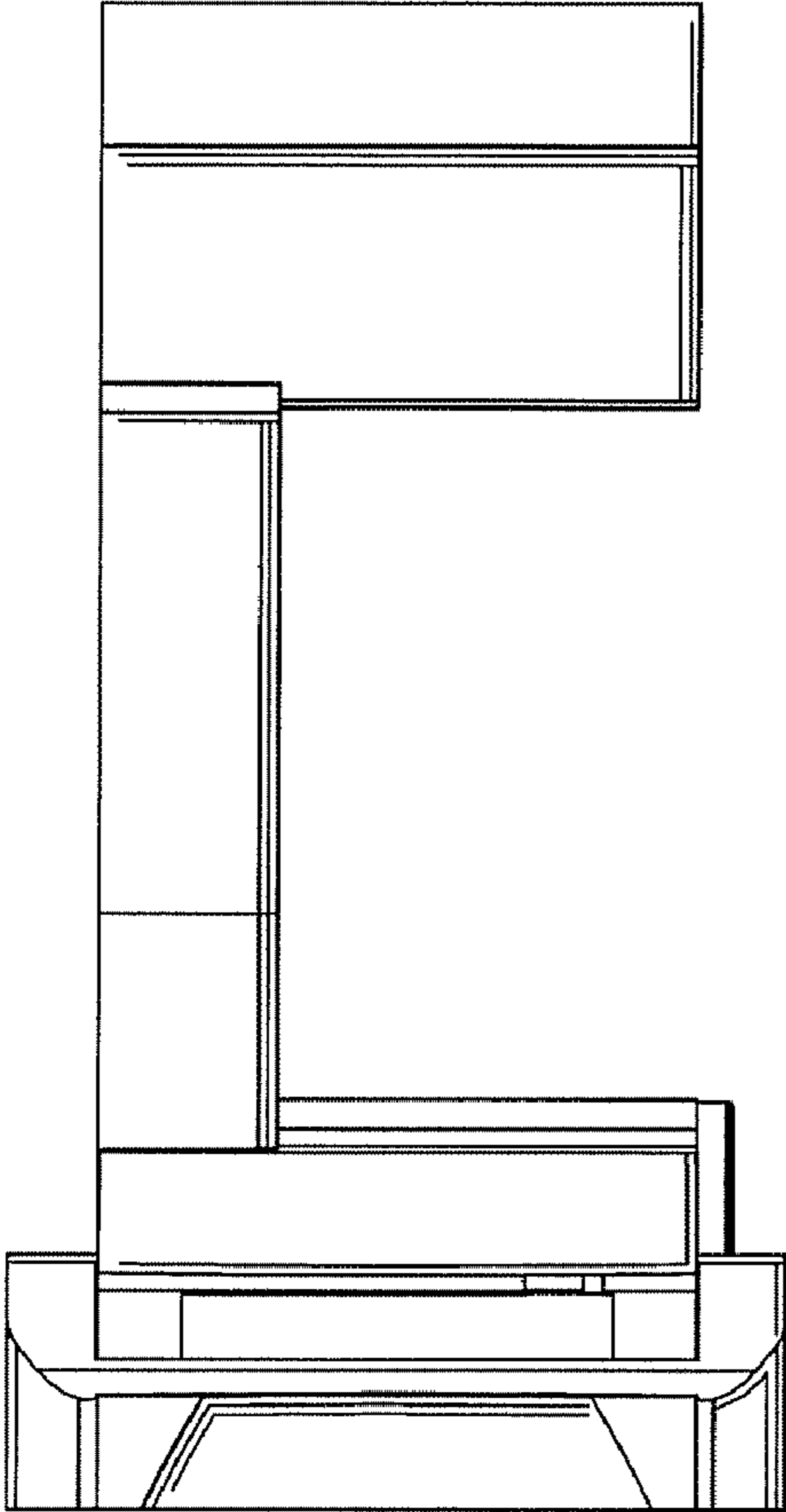


FIG. 5

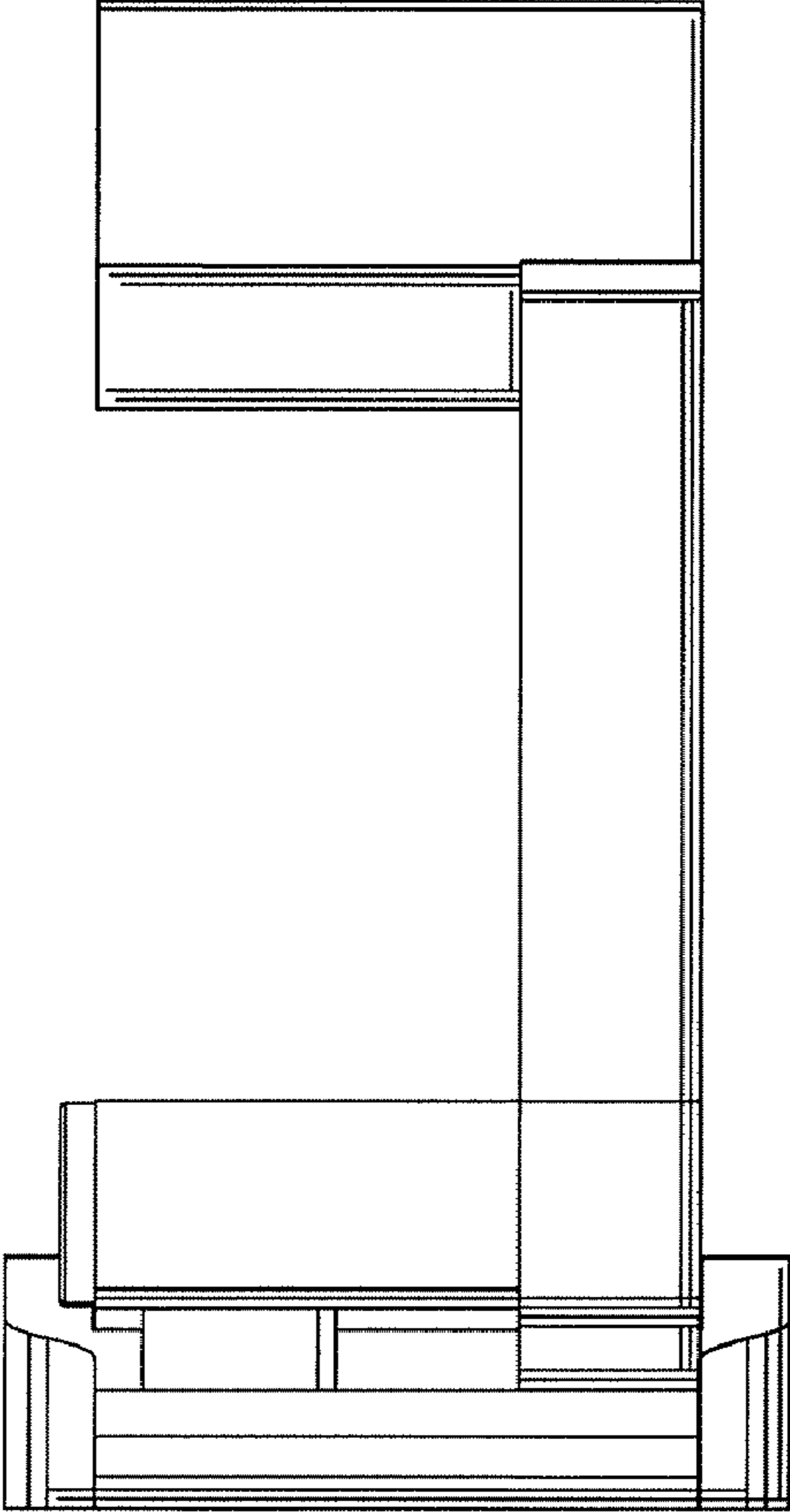


FIG. 6

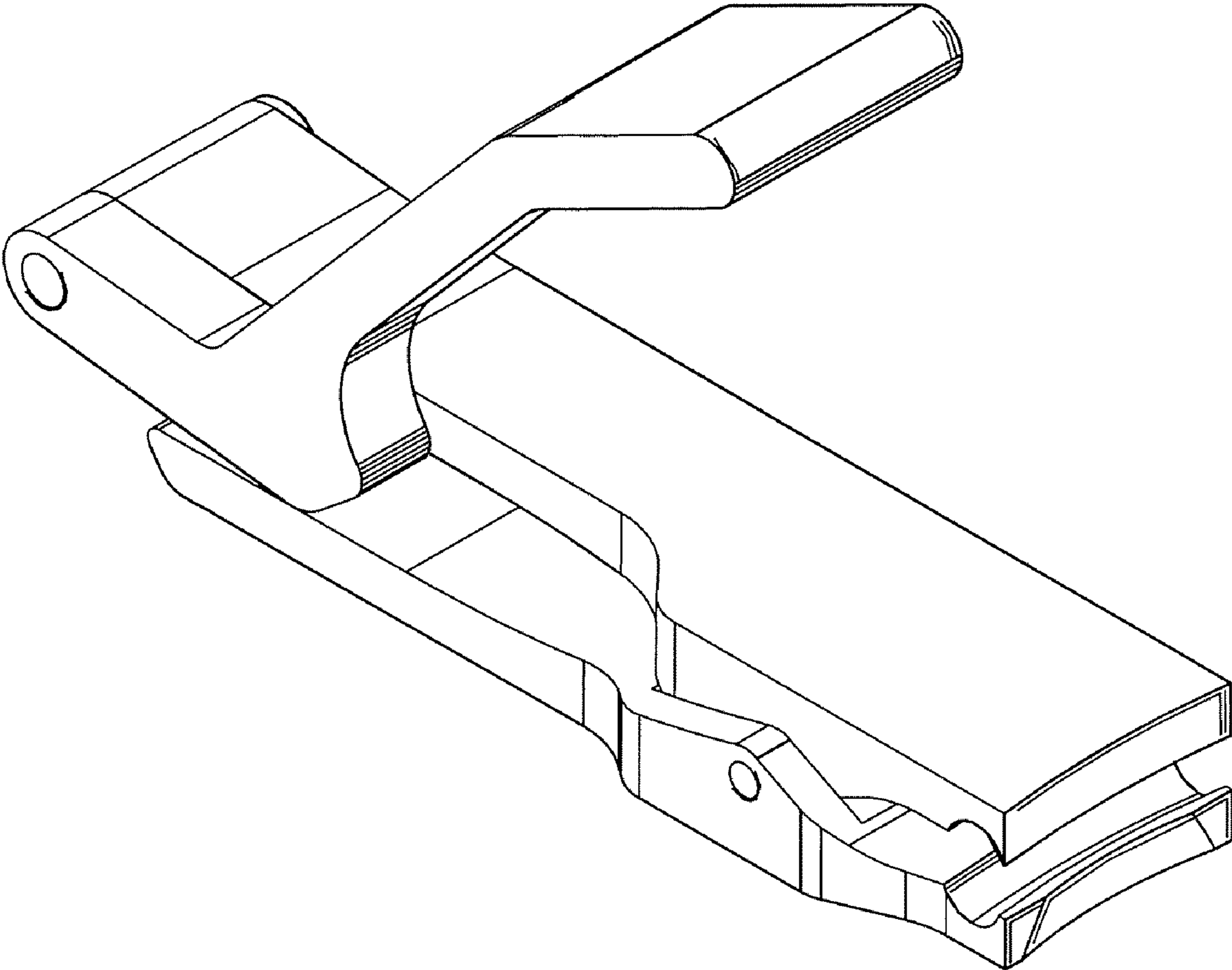
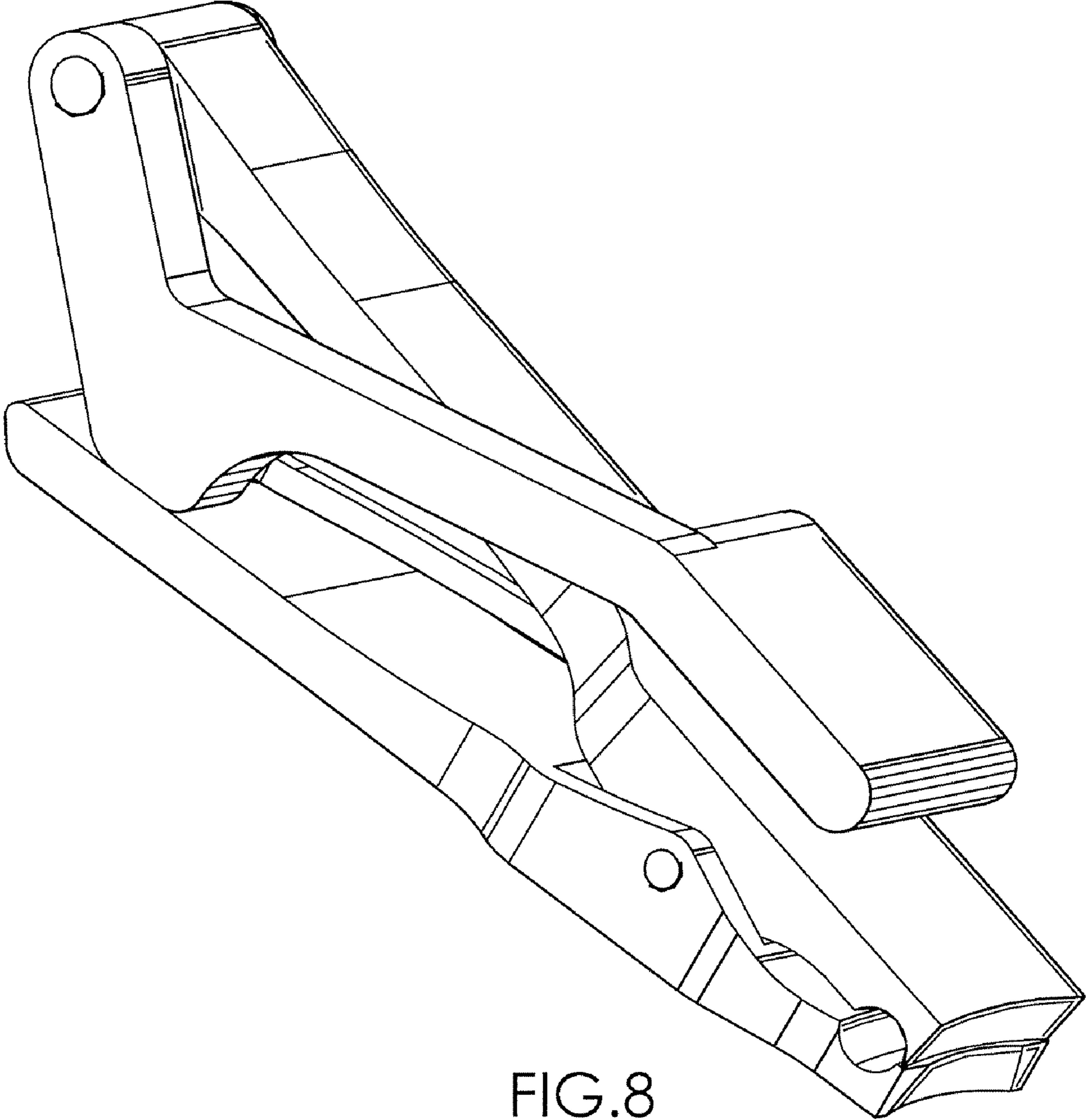


FIG.7



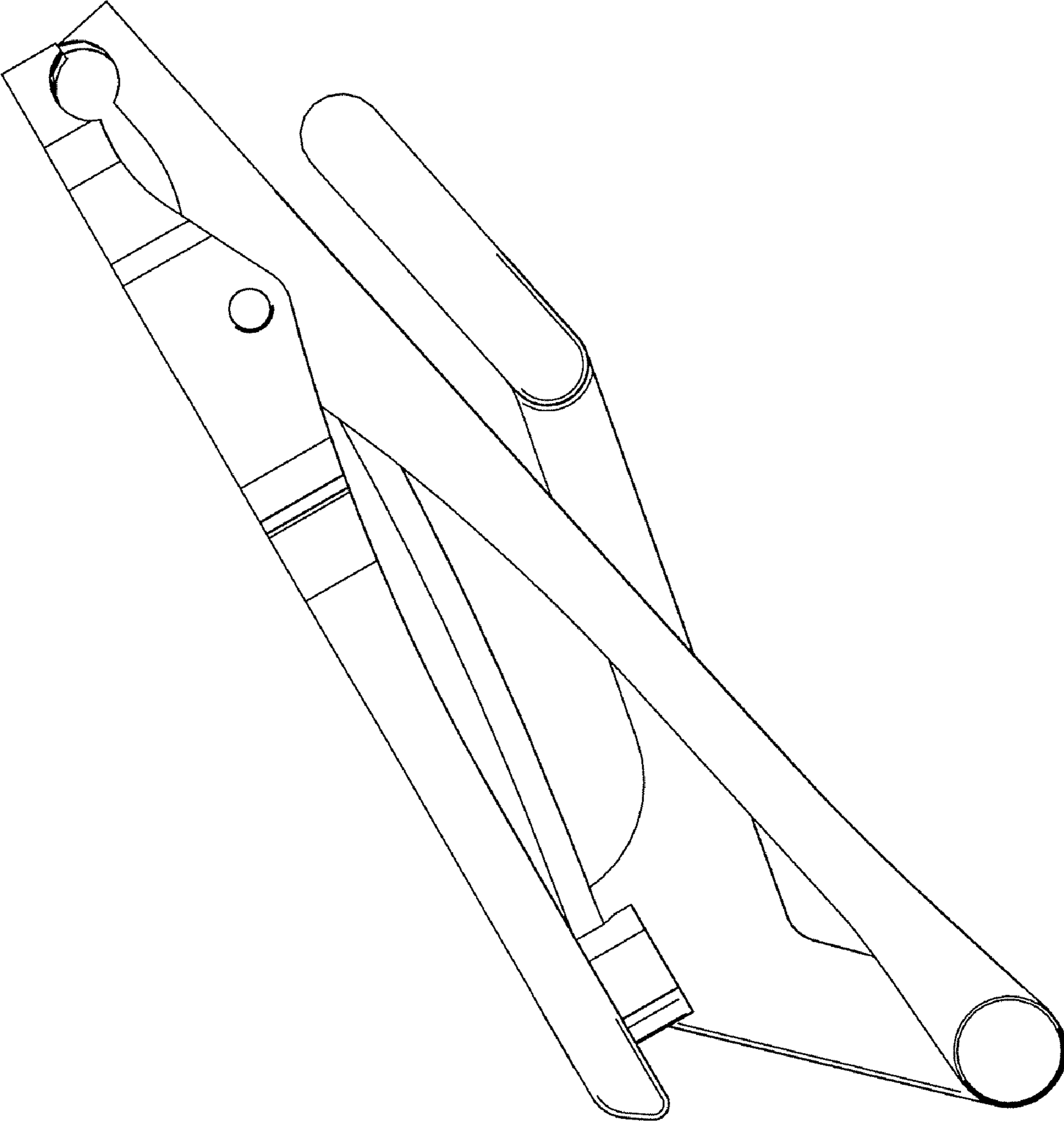


FIG.9

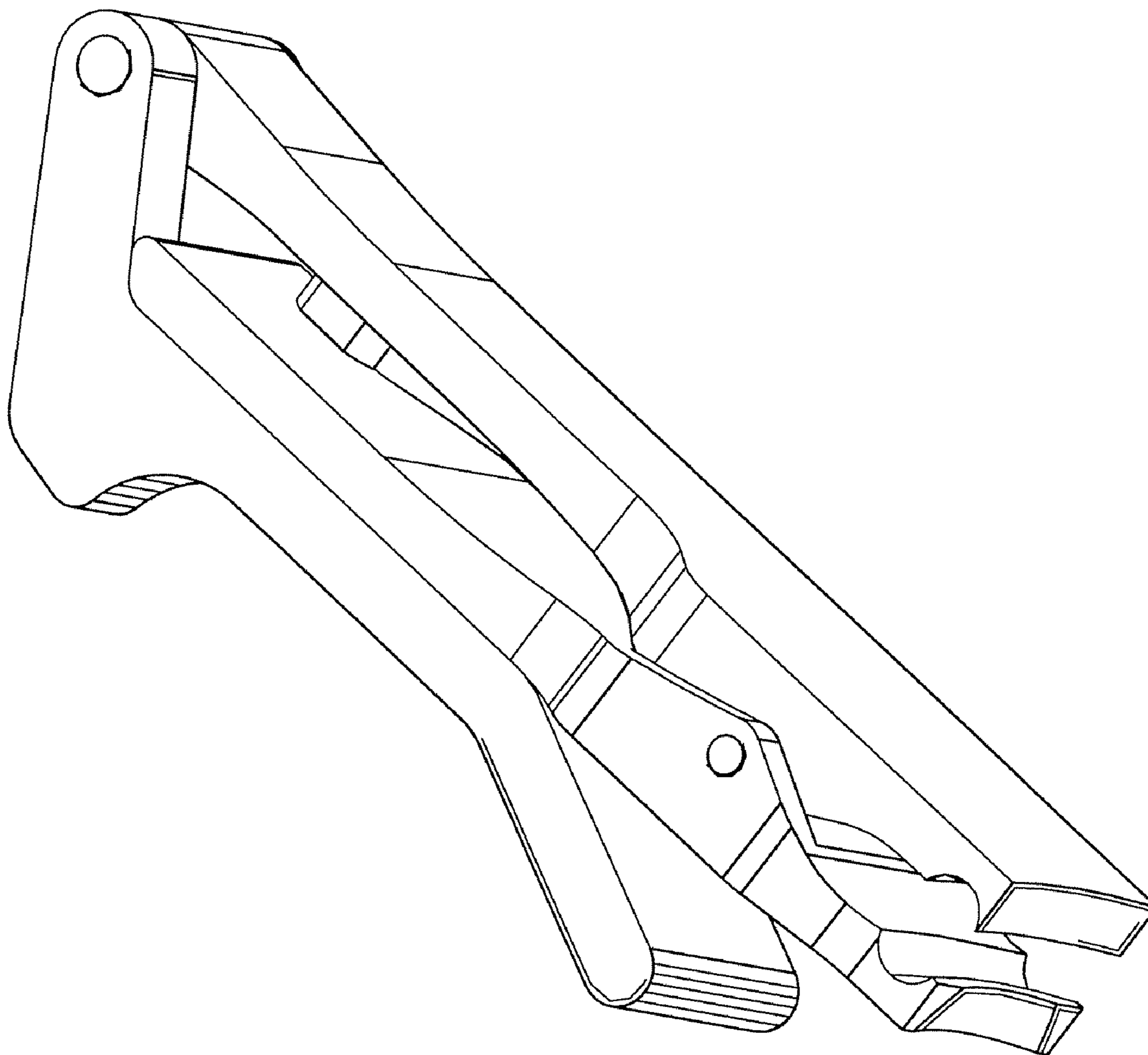


FIG.10

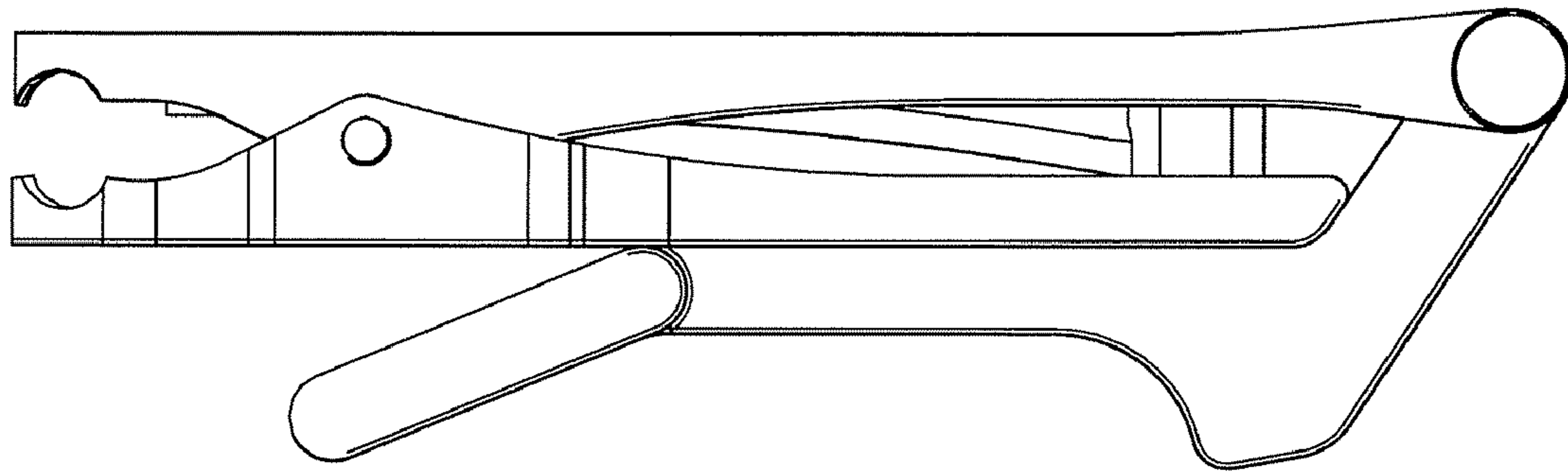


FIG. 11

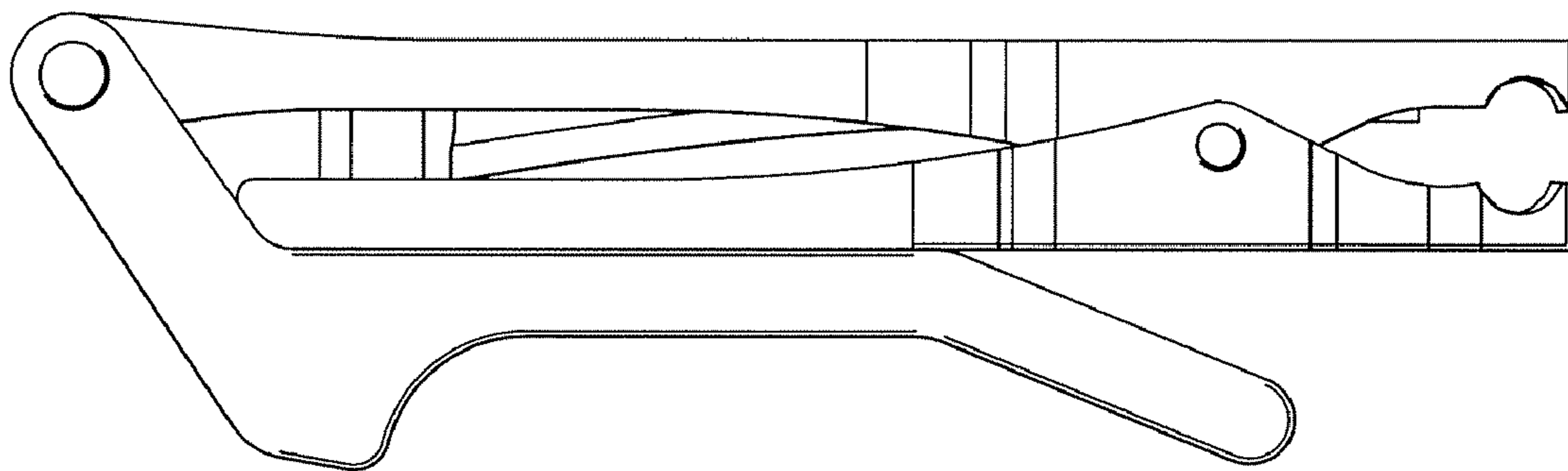


FIG. 12