



US00D629154S

(12) **United States Design Patent**  
**Sung**

(10) **Patent No.:** **US D629,154 S**  
(45) **Date of Patent:** **\*\* Dec. 14, 2010**

(54) **LIGHTER**

(75) Inventor: **Kil Yong Sung**, Ontario, CA (US)

(73) Assignee: **Calico Brands, Inc.**, Ontario, CA (US)

(\*\*) Term: **14 Years**

(21) Appl. No.: **29/360,875**

(22) Filed: **Apr. 30, 2010**

(51) **LOC (9) Cl.** ..... **27-05**

(52) **U.S. Cl.** ..... **D27/154**

(58) **Field of Classification Search** ..... D27/141,  
D27/152-160; 431/129-153, 253-257, 273-277  
See application file for complete search history.

(56) **References Cited**

**U.S. PATENT DOCUMENTS**

D359,143 S	6/1995	Higuchi	
D363,808 S *	10/1995	Compte	D27/159
D375,814 S	11/1996	Inoue	
D377,235 S	1/1997	Inoue	
D393,328 S	4/1998	Inoue	
D397,497 S	8/1998	Kaga	
D397,498 S *	8/1998	Segawa	D27/154
D410,564 S *	6/1999	Sher	D27/156
D411,898 S	7/1999	Inoue	
6,053,726 A	4/2000	Kanno	
6,106,280 A	8/2000	Kanno	
D476,442 S	6/2003	Nakamura	

D477,109 S	7/2003	Nakamura	
6,666,677 B1	12/2003	Ichikawa	
D531,352 S *	10/2006	Ruan	D27/154
D574,997 S *	8/2008	Ruan	D27/156

\* cited by examiner

*Primary Examiner*—Jennifer Rivard

(74) *Attorney, Agent, or Firm*—Trojan Law Offices

(57) **CLAIM**

The ornamental design for a lighter, as shown and described.

**DESCRIPTION**

FIG. 1 is a front perspective view of a lighter, showing my new design;

FIG. 2 is a rear perspective view of the lighter shown in FIG. 1;

FIG. 3 is a side view of the lighter shown in FIG. 1; the opposite side of the view shown in FIG. 3 is a mirror image of the side view shown;

FIG. 4 is a front view of the lighter shown in FIG. 1;

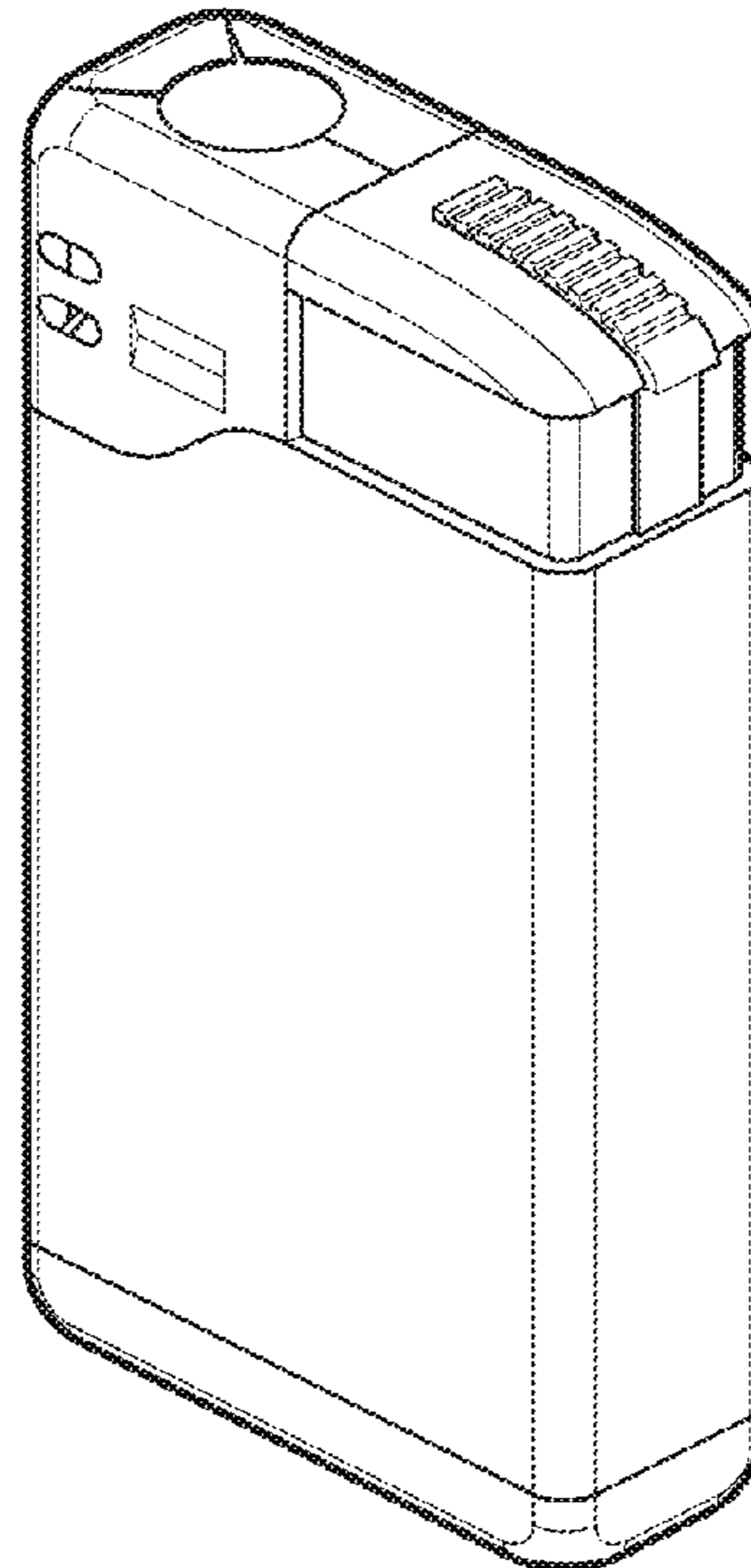
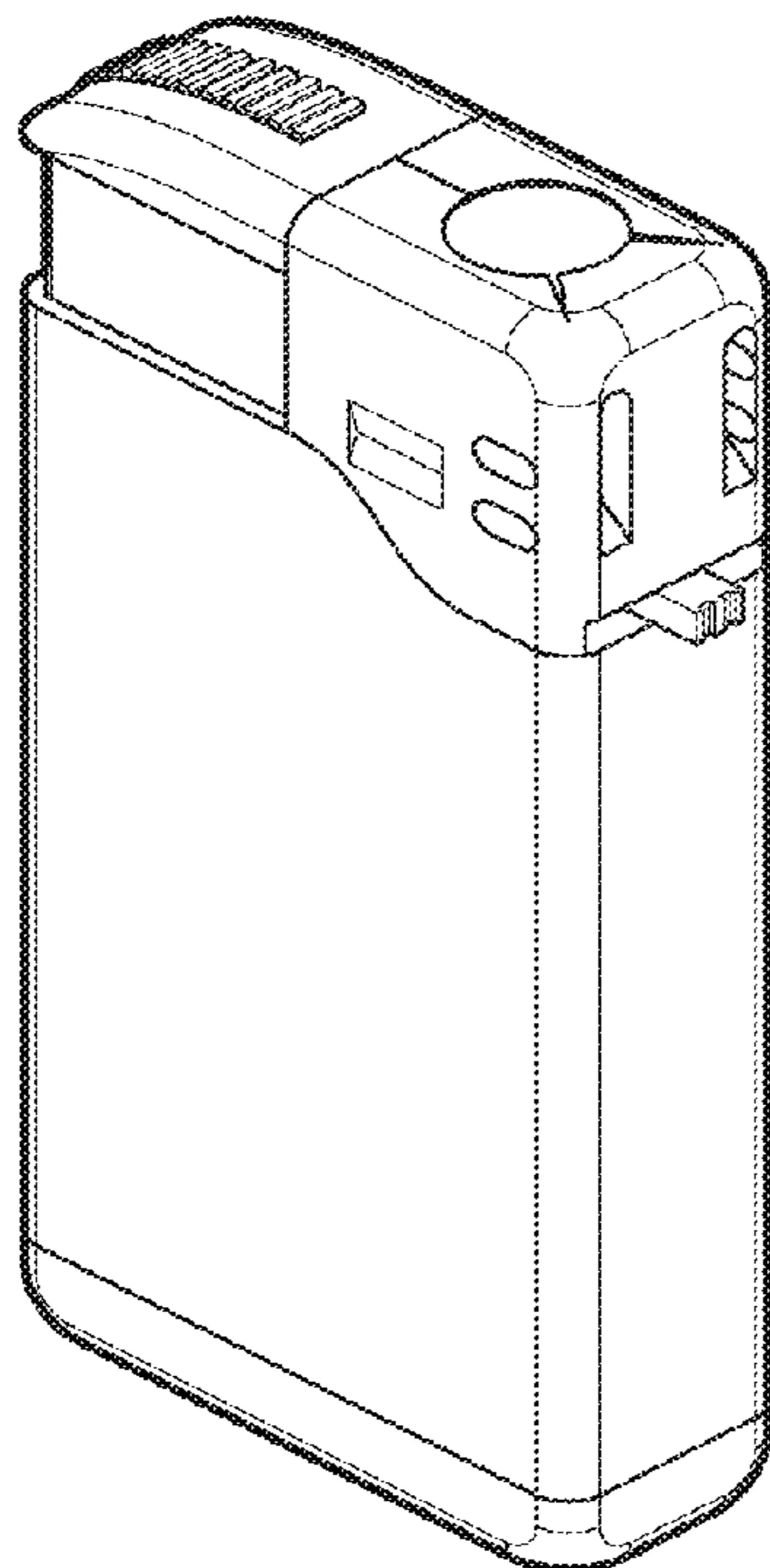
FIG. 5 is a rear view of the lighter shown in FIG. 1;

FIG. 6 is a top view of the lighter shown in FIG. 1; and,

FIG. 7 is a bottom view of the lighter shown in FIG. 1.

The broken lines showing environment in FIG. 7 are for illustrative purposes only and form no part of the claimed design.

**1 Claim, 4 Drawing Sheets**



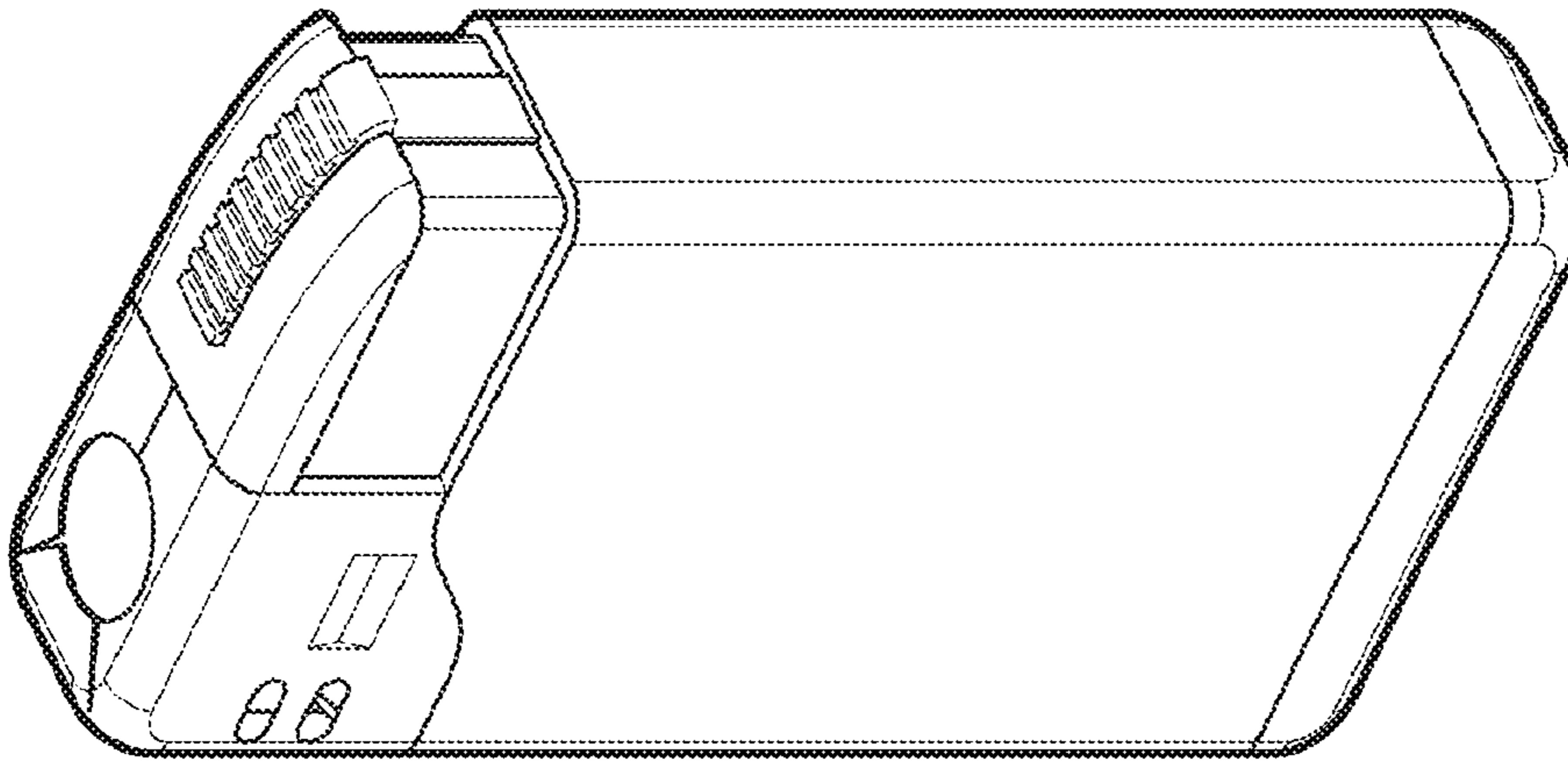


Fig. 2

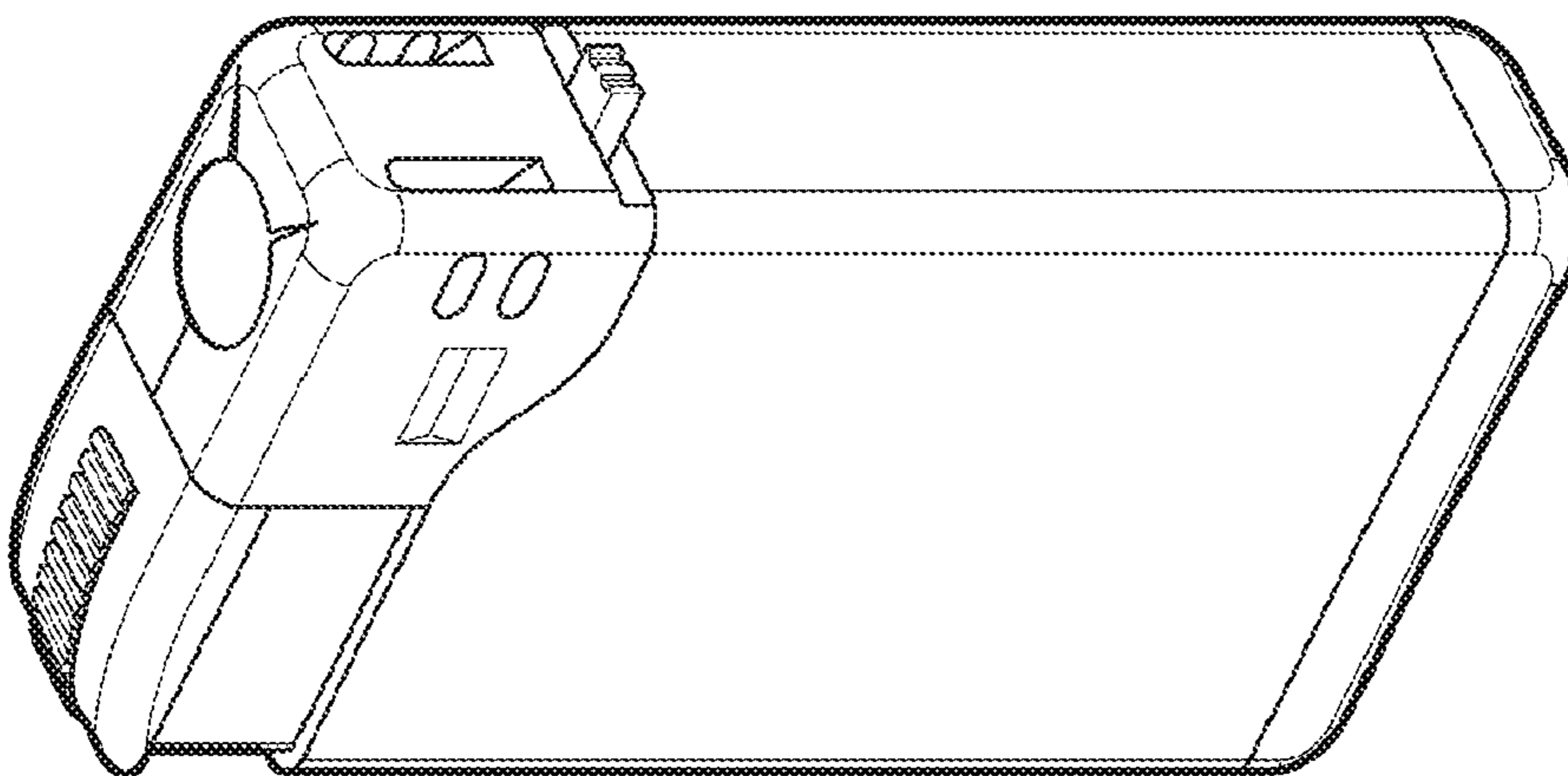


Fig. 1

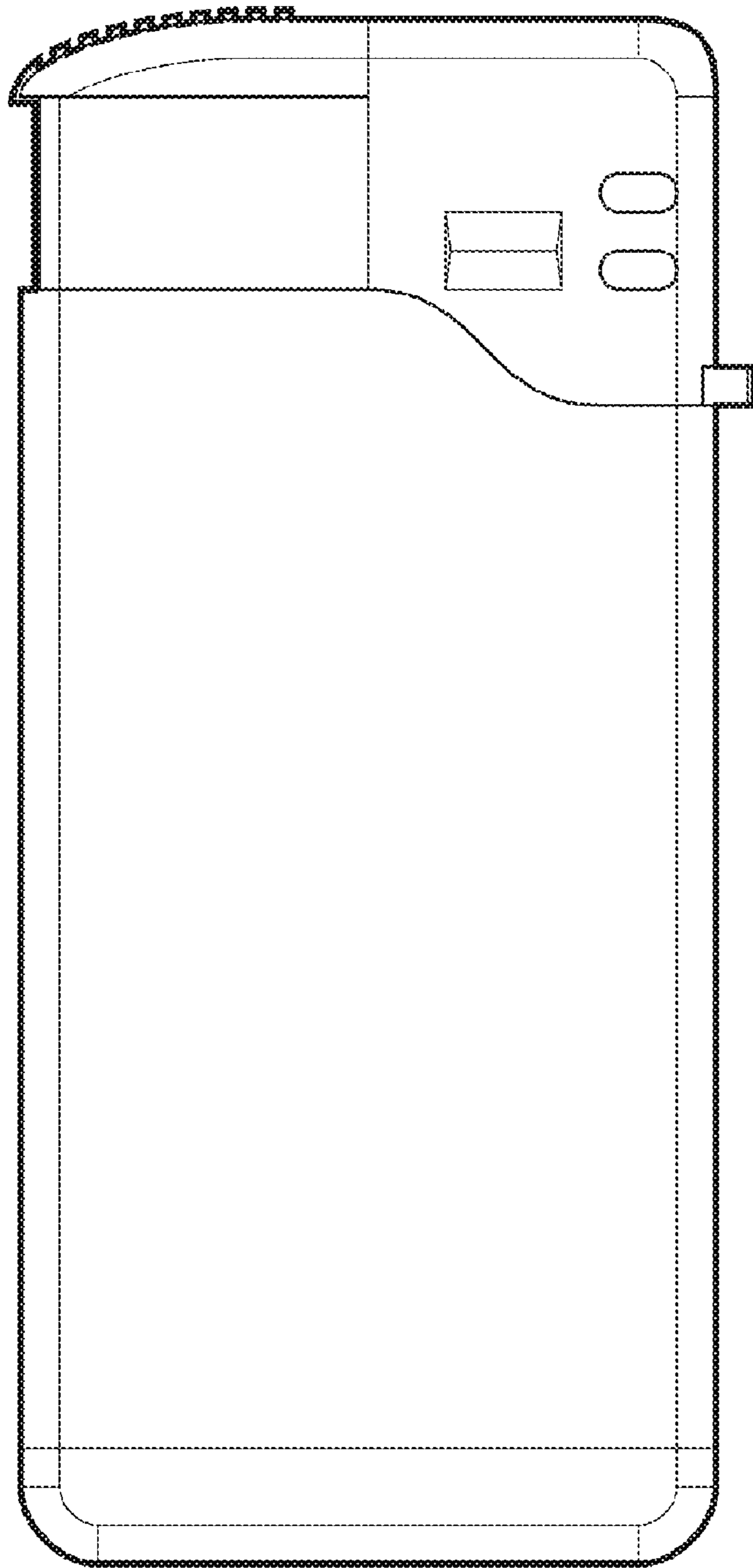


Fig. 3

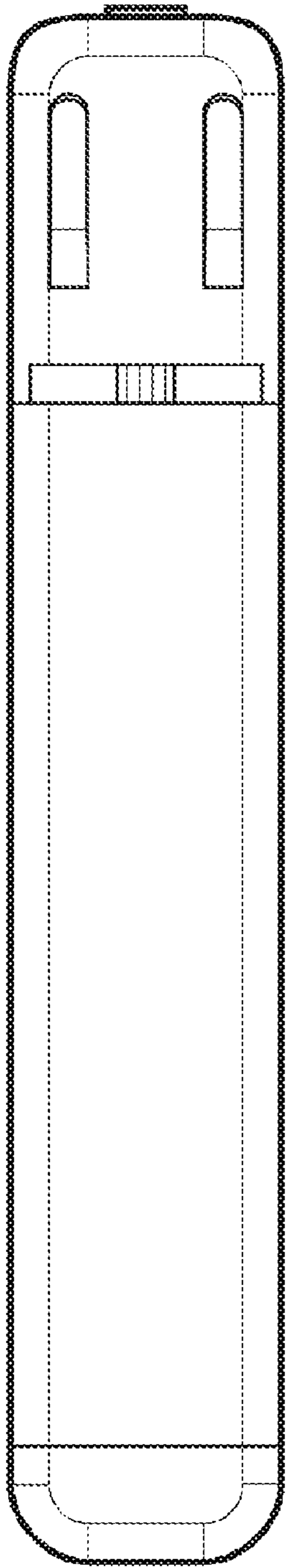


Fig. 4

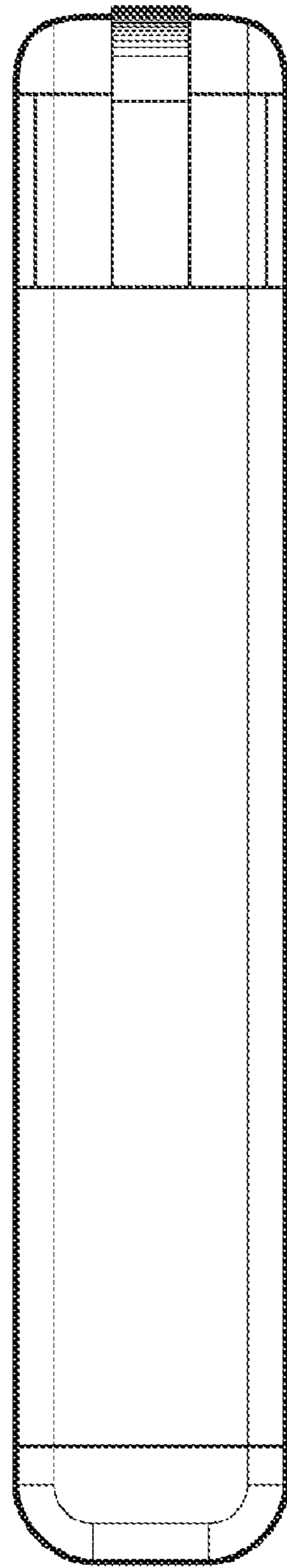


Fig. 5

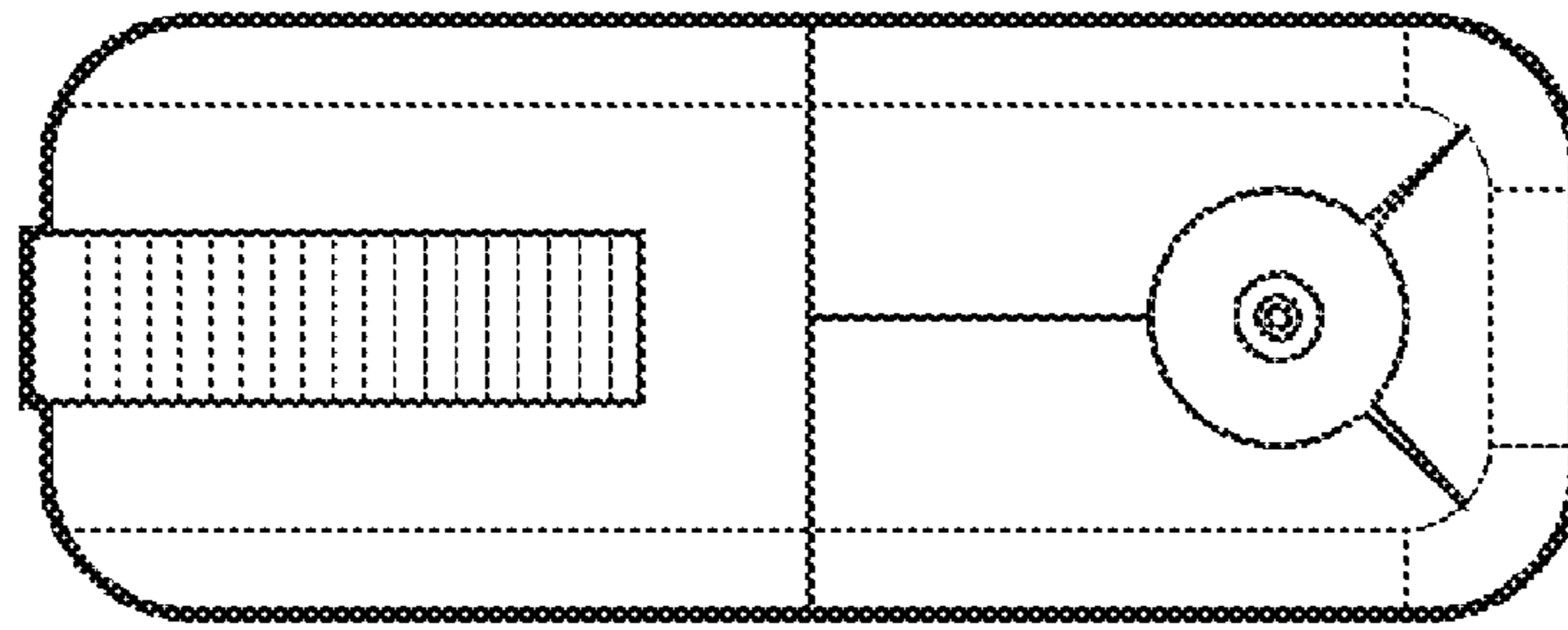


Fig. 6

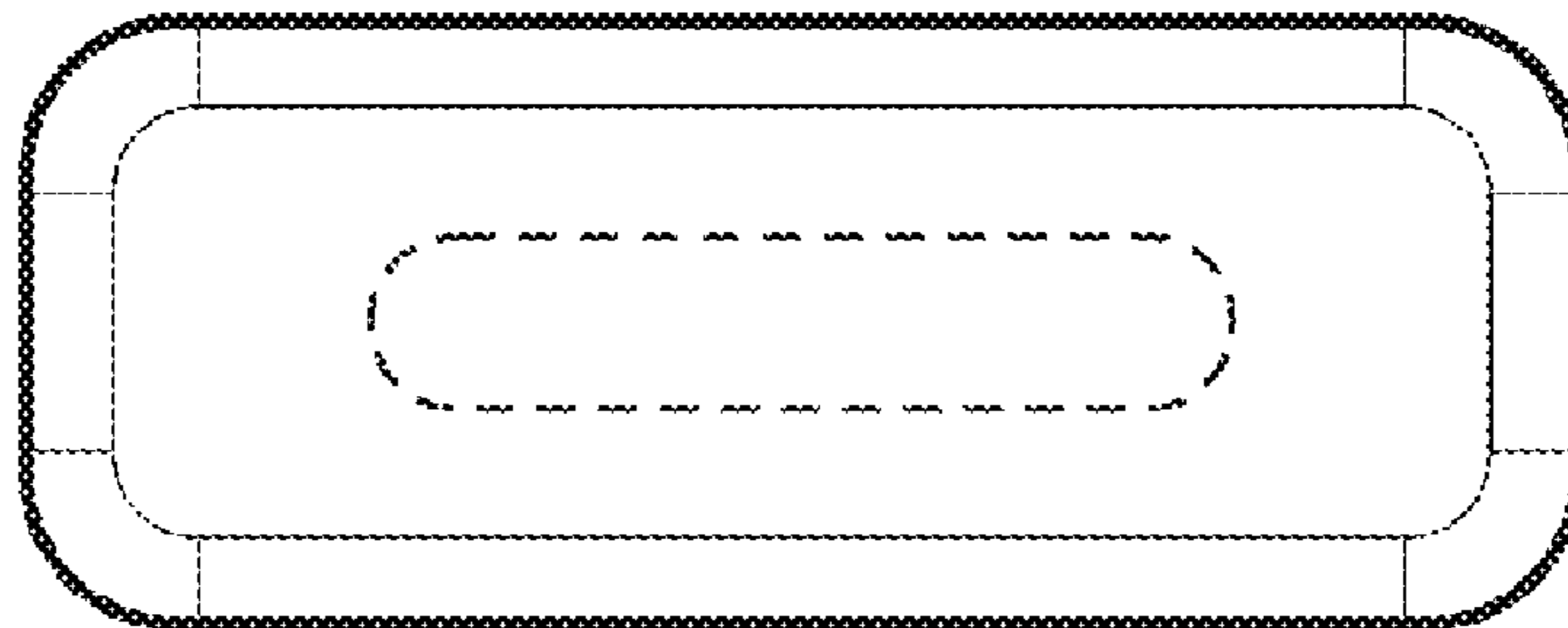


Fig. 7