



US00D629153S

(12) **United States Design Patent**
Chen

(10) **Patent No.:** **US D629,153 S**

(45) **Date of Patent:** **** Dec. 14, 2010**

(54) **LAMPSHADE**

(75) Inventor: **Chin-Yi Chen**, Taipei County (TW)

(73) Assignee: **Yi-Jin Industrial Co., Ltd.**, Xin-Zhuang (TW)

(**) Term: **14 Years**

(21) Appl. No.: **29/347,658**

(22) Filed: **Apr. 2, 2010**

(51) **LOC (9) Cl.** **26-99**

(52) **U.S. Cl.** **D26/128**

(58) **Field of Classification Search** D26/28,
D26/30, 31, 118, 2, 74, 152, 38, 26, 142,
D26/123, 122, 120, 128, 131, 133, 134, 119,
D26/121, 124, 129, 138, 139, 140, 141, 61,
D26/63, 107, 67, 71, 70, 72; 362/294, 373,
362/493, 496, 509, 147, 257, 296, 317, 326,
362/331, 335, 340, 350, 364, 384, 365; D23/411;
D13/180; 40/572, 592; D20/10, 17, 42;
248/343, 323; 174/58; D8/16, 354, 355,
D8/366, 373, 380, 381, 382, 383
See application file for complete search history.

(56) **References Cited**

U.S. PATENT DOCUMENTS

D350,214 S *	8/1994	Kramer	D26/128
D385,051 S *	10/1997	Wu	D26/2
5,947,588 A *	9/1999	Huang	362/235
D485,390 S *	1/2004	Stancik et al.	D26/104
6,953,264 B2 *	10/2005	Ter-Hovhannissian	362/241
D538,950 S *	3/2007	Maxik	D26/2
D539,944 S *	4/2007	Egawa et al.	D26/24
7,207,700 B2 *	4/2007	Fallahi et al.	362/334
D544,117 S *	6/2007	Coushaine	D26/37

7,676,915 B2 *	3/2010	Ter-Hovhannissian	29/840
2002/0093820 A1 *	7/2002	Pederson	362/241
2003/0137838 A1 *	7/2003	Rizkin et al.	362/240
2003/0156410 A1 *	8/2003	Ter-Hovhannissian	362/241
2005/0174769 A1 *	8/2005	Yong et al.	362/235

* cited by examiner

Primary Examiner—Cathron C Brooks
Assistant Examiner—Kevin K Rudzinski

(57) **CLAIM**

I claim the ornamental design for lampshade, as shown and described.

DESCRIPTION

FIG. 1 is a top perspective view of a lampshade showing my design;

FIG. 2 is a front elevational view thereof;

FIG. 3 is a rear elevational view thereof;

FIG. 4 is a left side elevational view thereof;

FIG. 5 is a right side elevational view thereof;

FIG. 6 is a top plan view thereof;

FIG. 7 is a bottom plan view thereof;

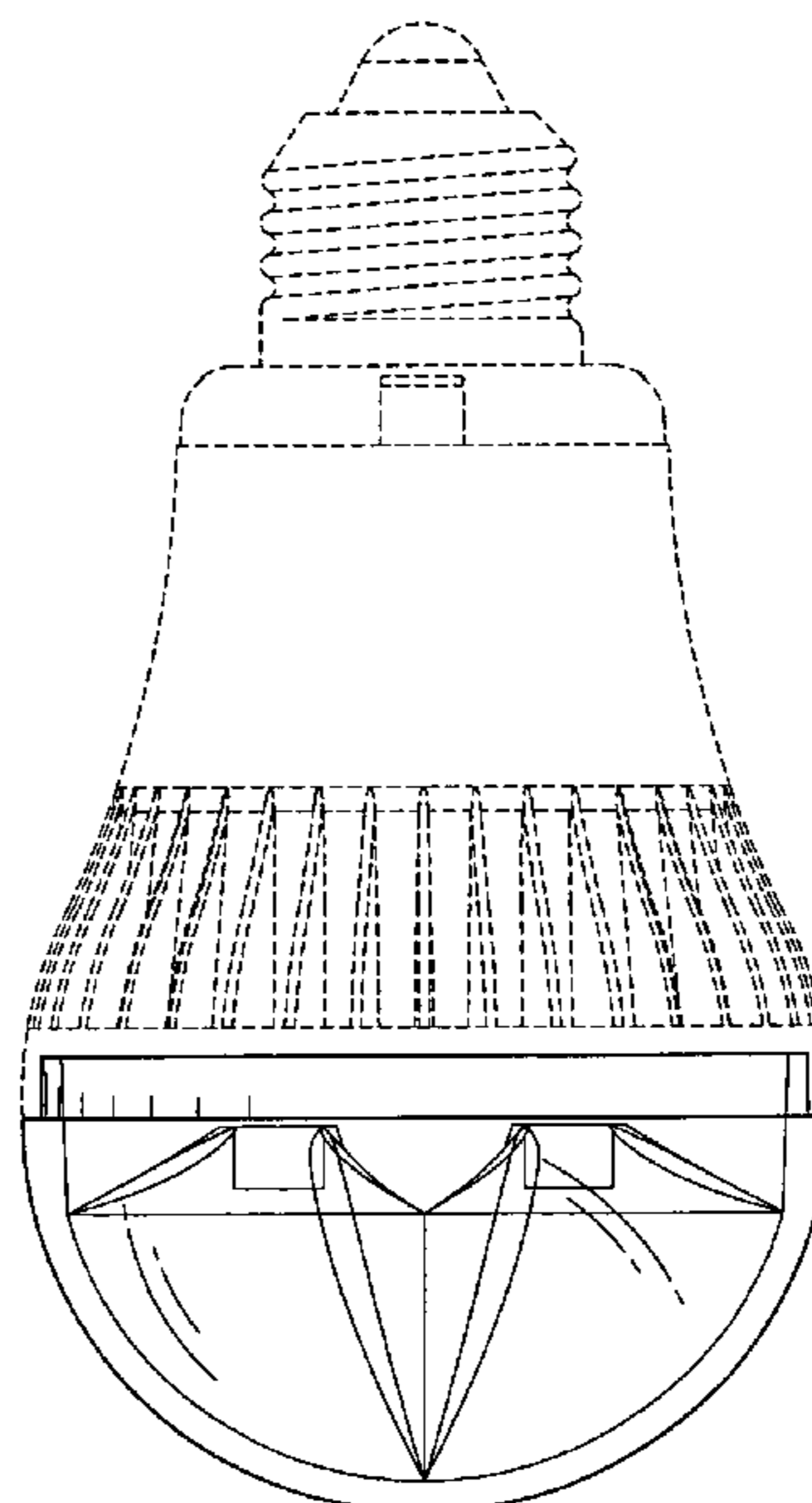
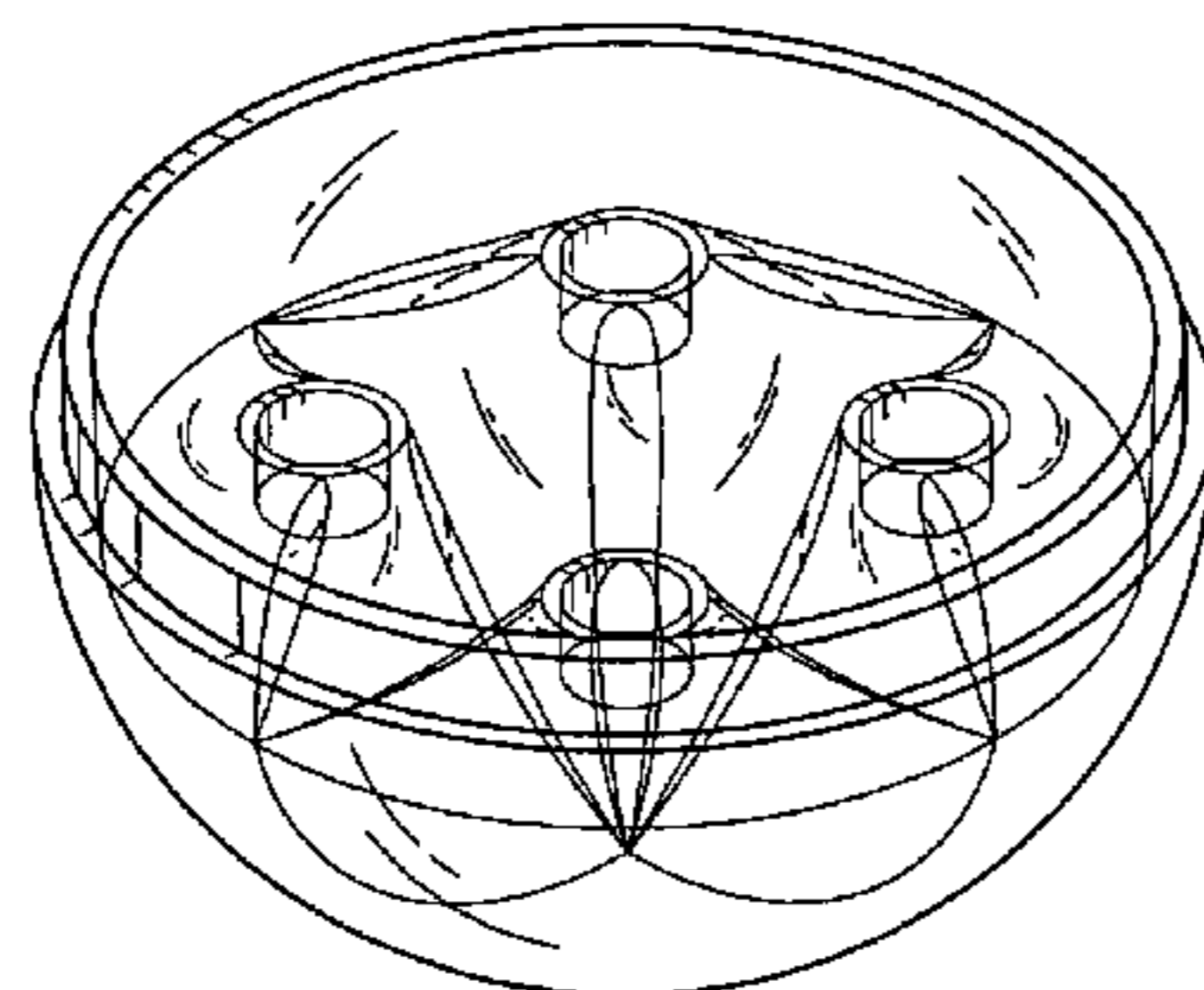
FIG. 8 is a cross-sectional view taken along line 8—8 shown in FIG. 7.

FIG. 9 is bottom perspective view thereof; and,

FIG. 10 is a front elevational view of the lampshade showing the environment of the invention.

The broken lines shown are included for the purpose of illustrating environmental structure and form no part of the claimed design.

1 Claim, 7 Drawing Sheets



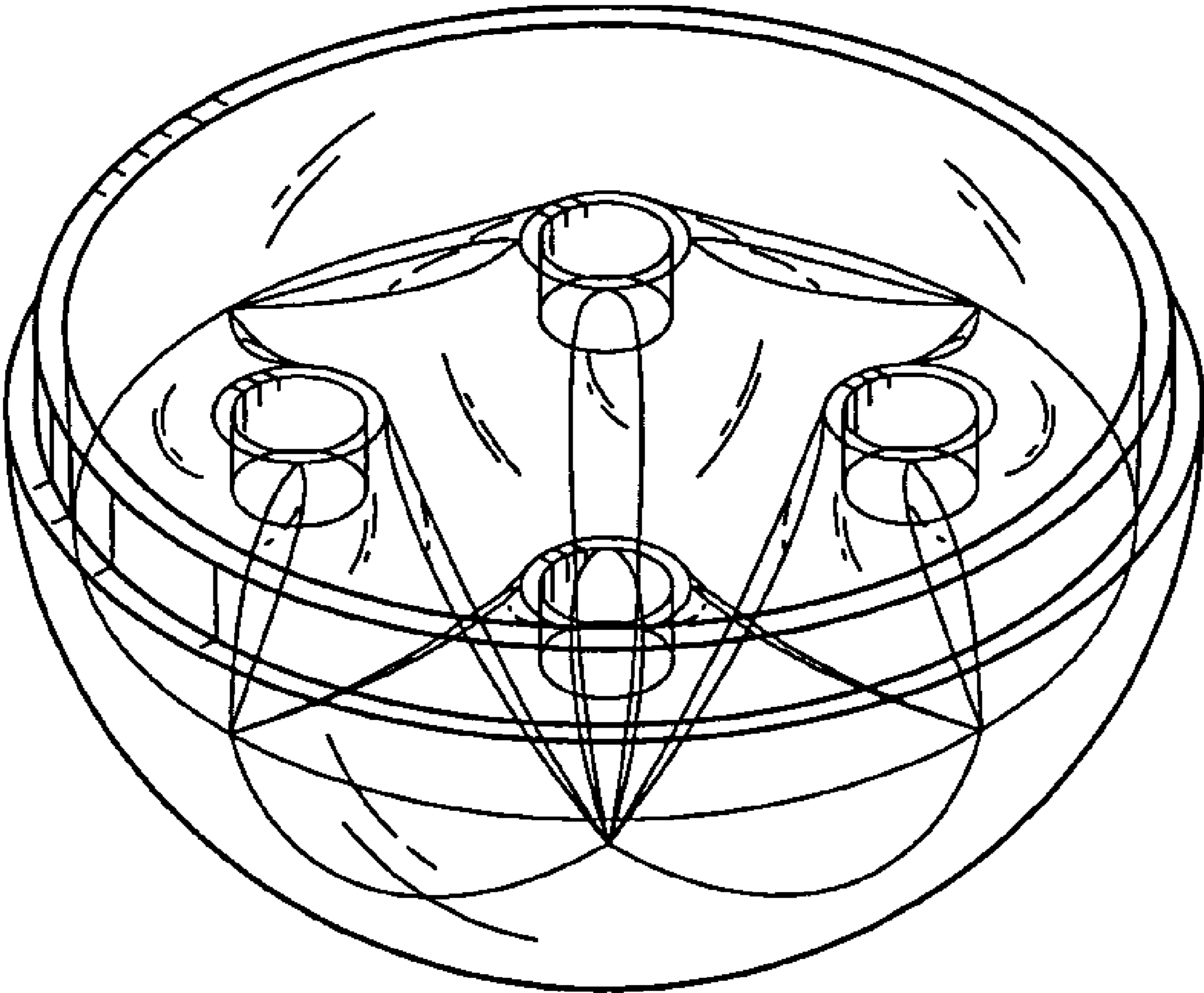


FIG. 1

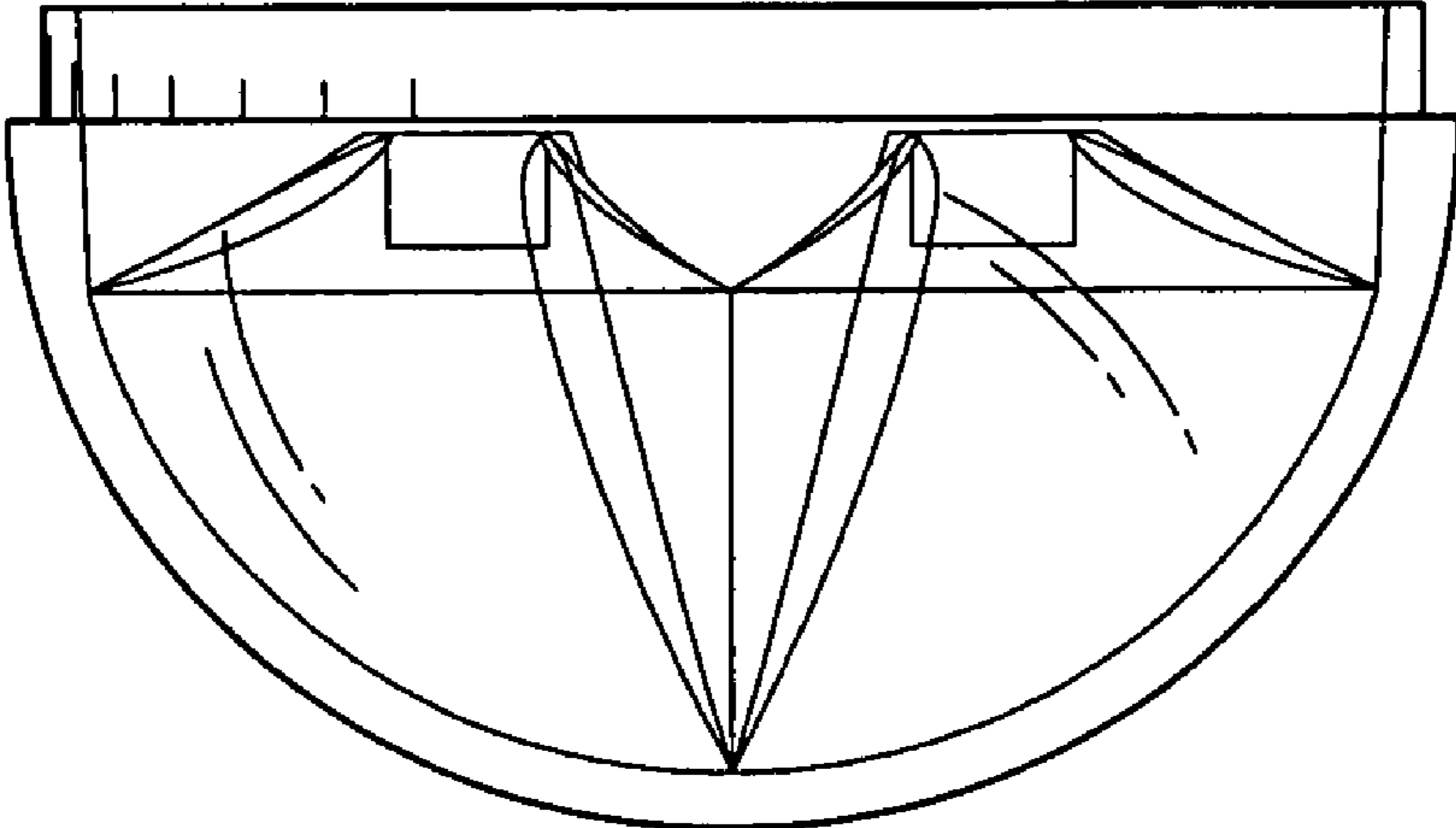


FIG. 2

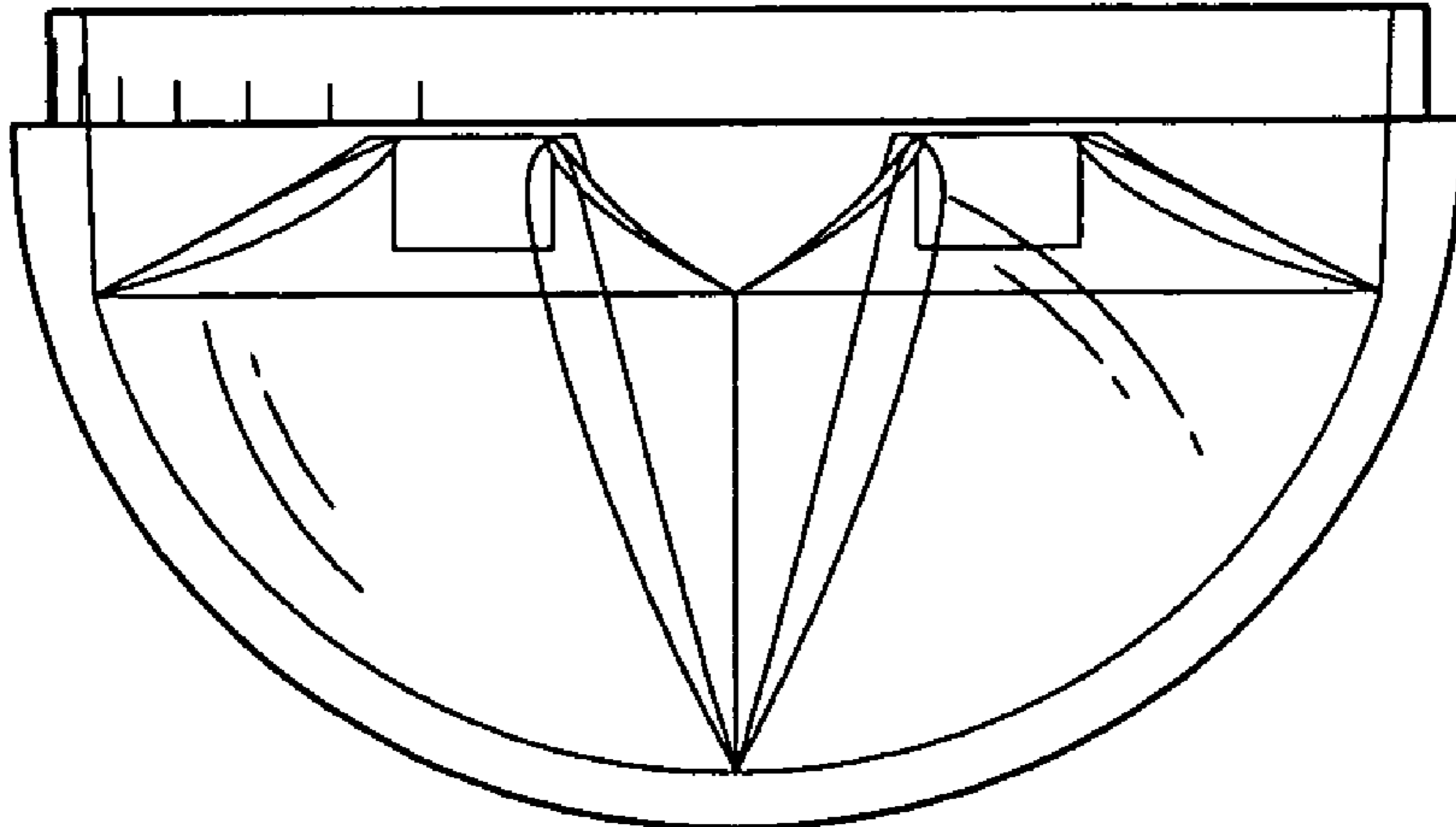


FIG. 3

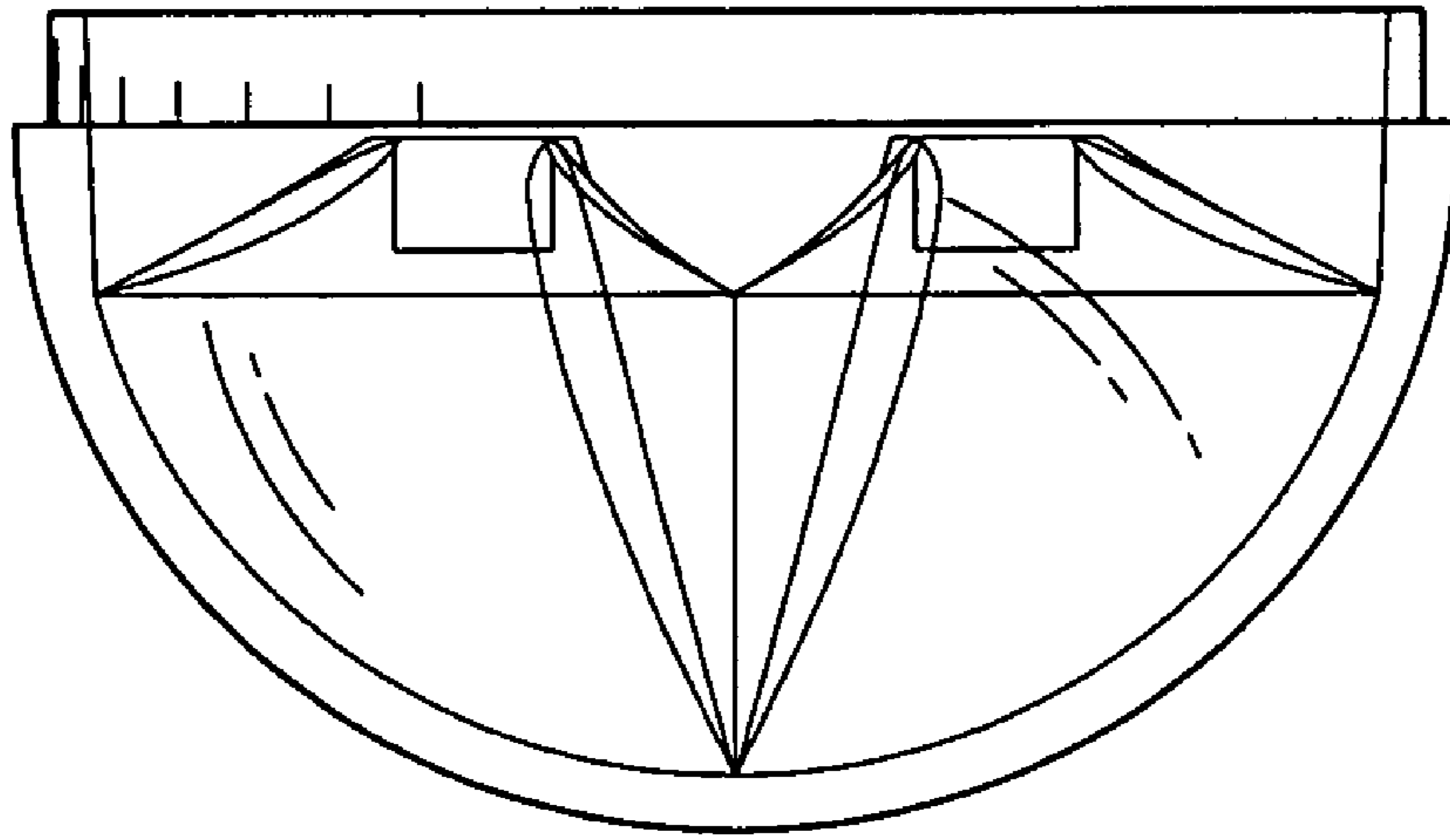


FIG. 4

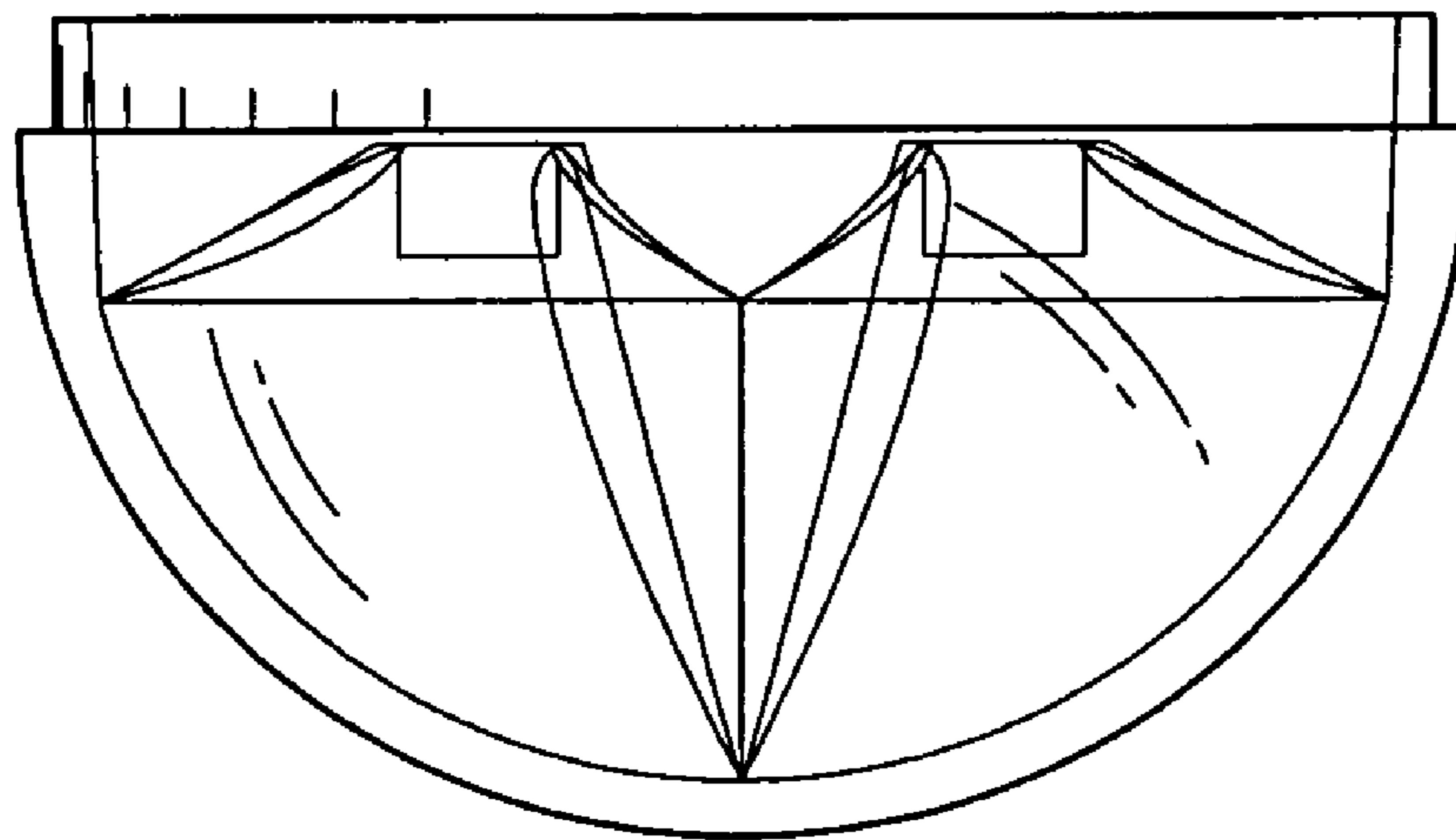


FIG. 5

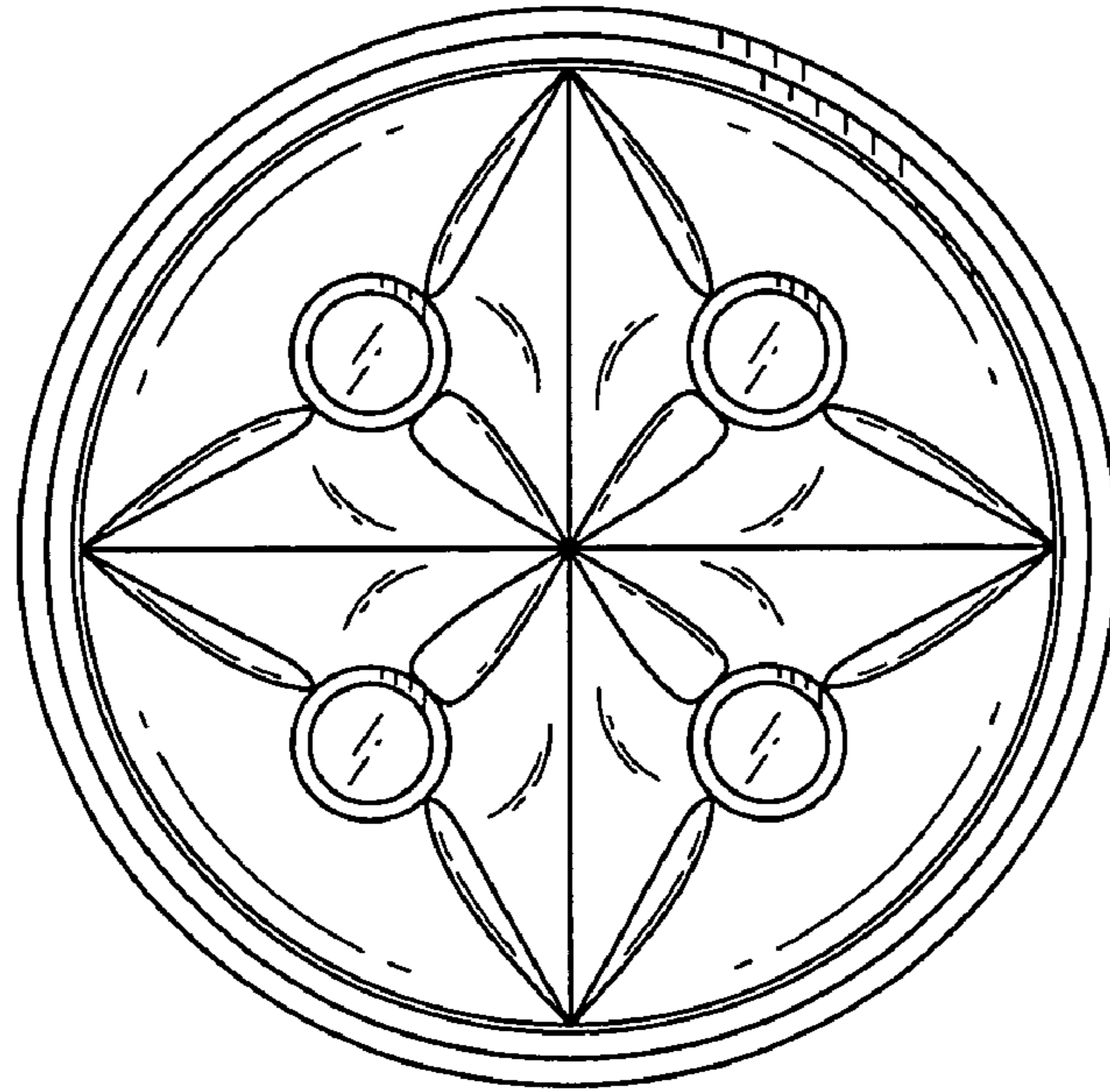


FIG. 6

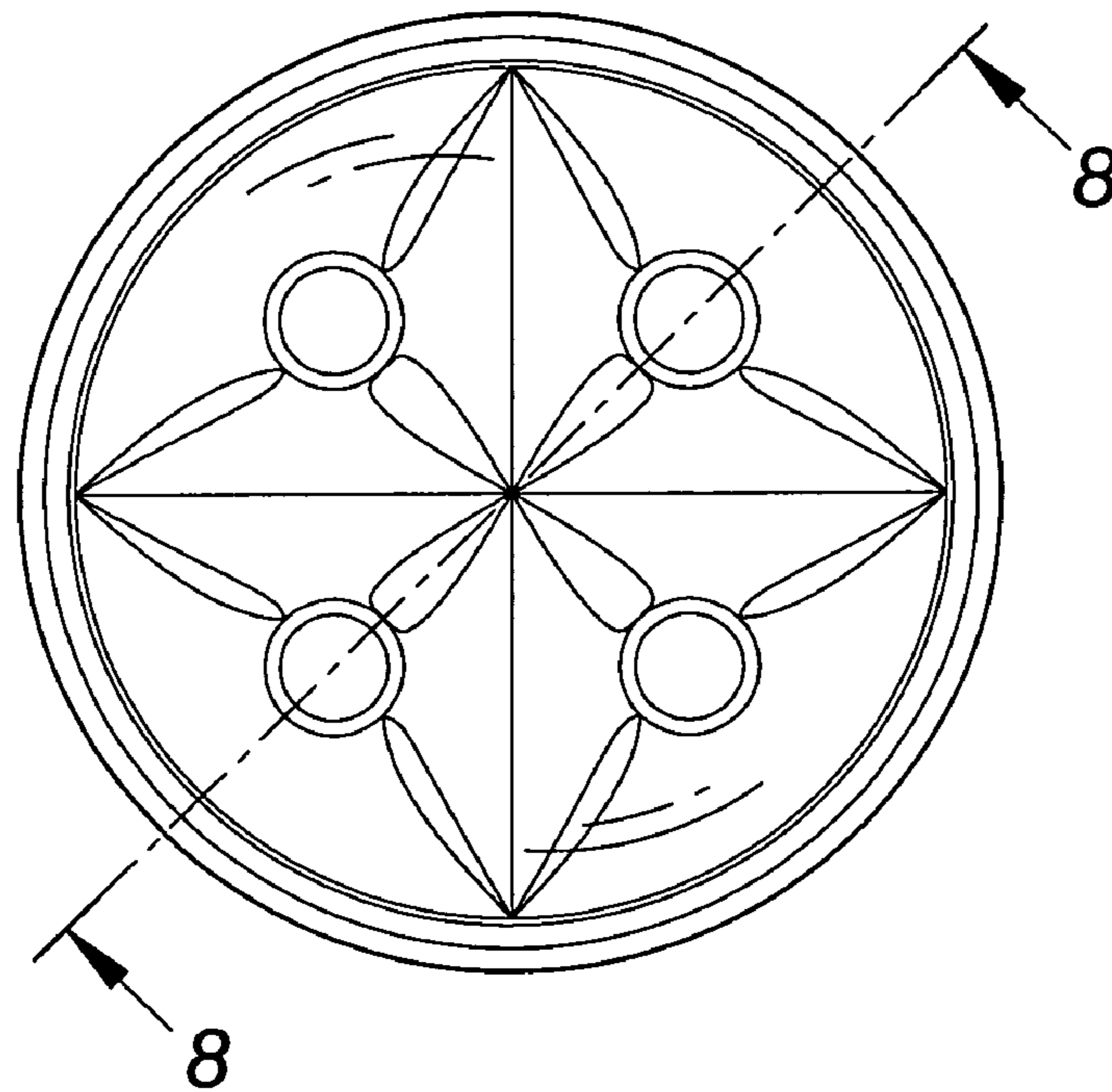


FIG. 7

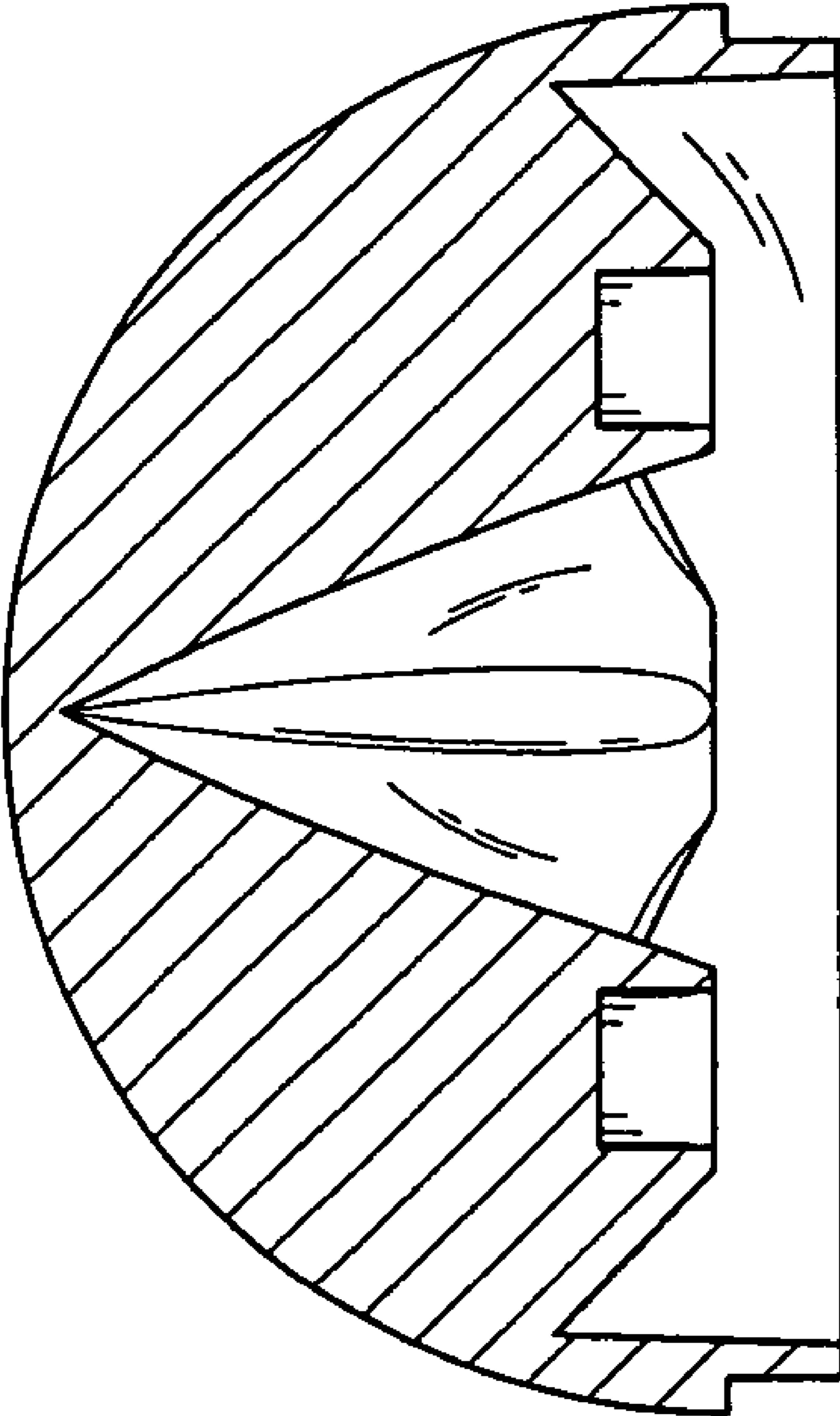


FIG. 8

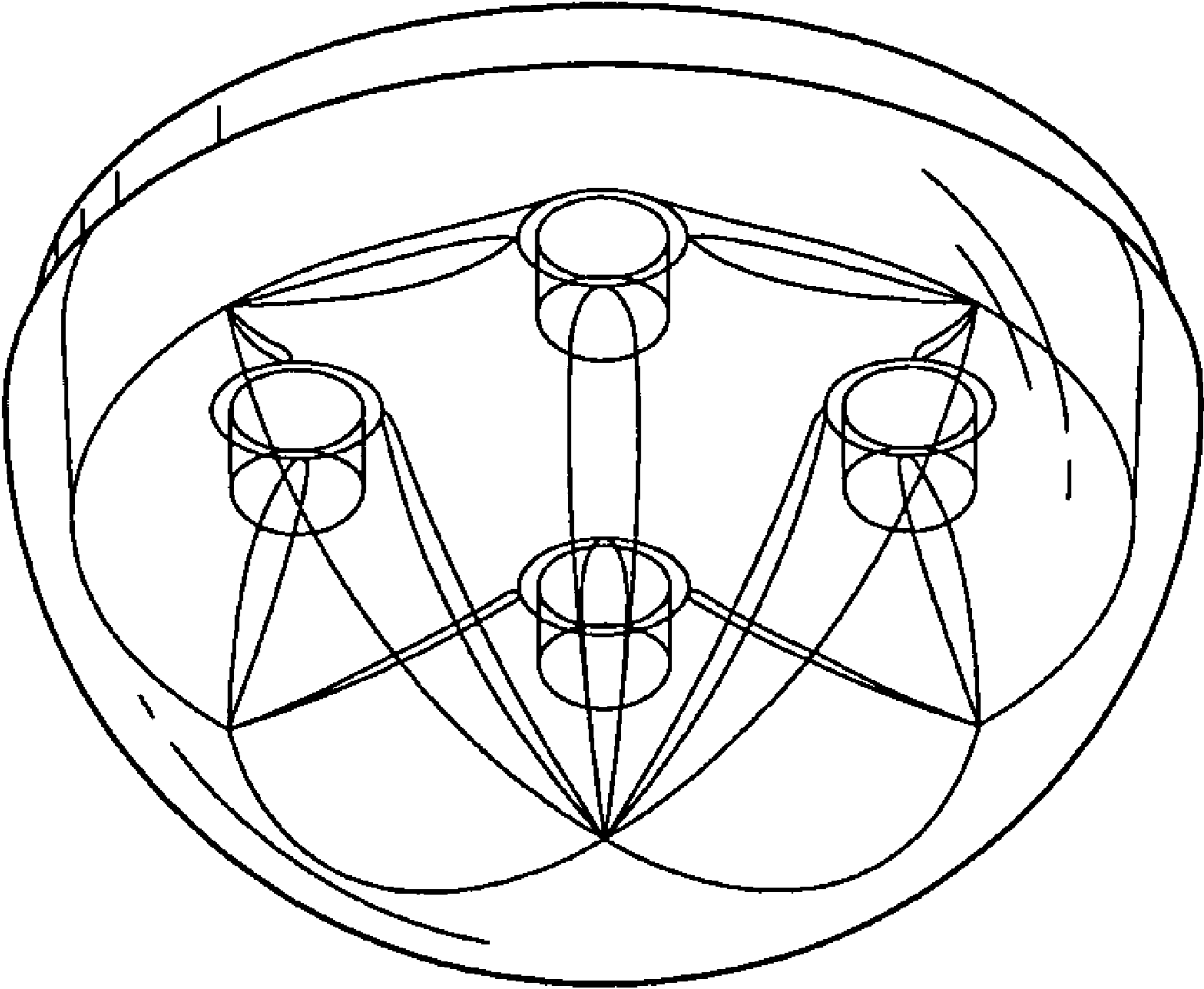


FIG. 9

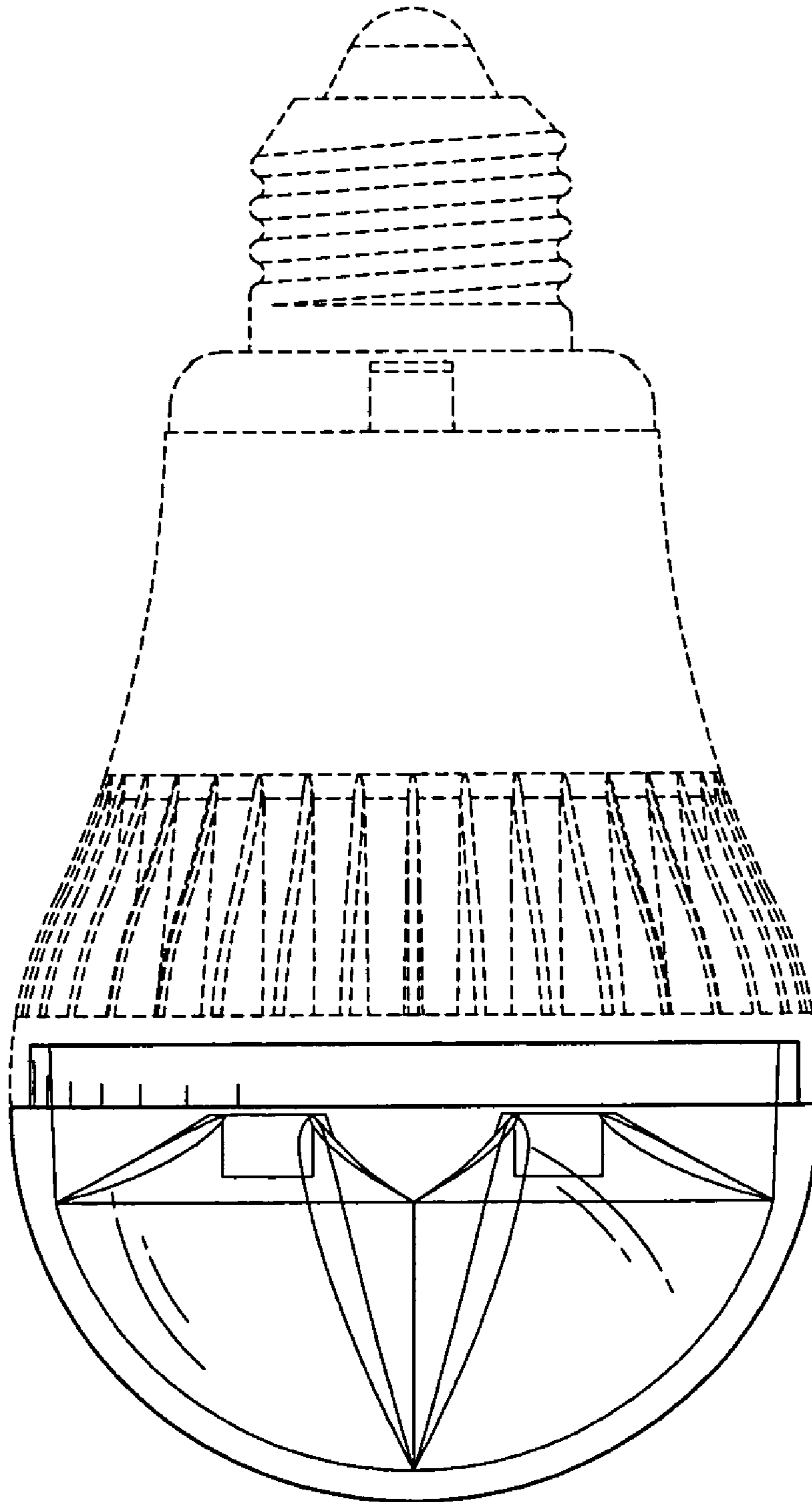


FIG. 10