



US00D629152S

(12) **United States Design Patent**
Laporte

(10) **Patent No.:** **US D629,152 S**
(45) **Date of Patent:** **** Dec. 14, 2010**

(54) **LUMINAIRE**

(75) Inventor: **Jean-Francois Laporte**, Laval (CA)

(73) Assignee: **Koninklijke Philips Electronics N.V.**,
Eindhoven (NL)

(**) Term: **14 Years**

(21) Appl. No.: **29/353,800**

(22) Filed: **Jan. 14, 2010**

6,290,376 B1 *	9/2001	Gutierrez et al.	362/371
D456,927 S *	5/2002	Russello et al.	D26/85
D456,929 S *	5/2002	Russello et al.	D26/85
D459,919 S *	7/2002	Vaaler	D6/495
D465,593 S *	11/2002	Chang	D26/72
D527,134 S *	8/2006	Bagen	D26/71
D537,196 S *	2/2007	Summerford et al.	D26/155
D566,876 S *	4/2008	Allen et al.	D26/85
D568,532 S *	5/2008	Compton	D26/155
D572,403 S *	7/2008	Walker	D26/145
D579,141 S *	10/2008	Guercio	D26/92
D598,156 S *	8/2009	Xiao et al.	D26/69
D599,049 S *	8/2009	Guercio	D26/69

Related U.S. Application Data

(63) Continuation of application No. 29/307,000, filed on
Apr. 21, 2008, now Pat. No. Des. 609,382.

(51) **LOC (9) Cl.** **26-99**

(52) **U.S. Cl.** **D26/120; D26/71**

(58) **Field of Classification Search** D26/67-72,
D26/85, 92, 120, 141, 155; 362/145, 152,
362/183, 294, 373, 414, 431, 545

See application file for complete search history.

(56) **References Cited**

U.S. PATENT DOCUMENTS

D163,412 S *	5/1951	Pilkey	D26/120
2,916,609 A *	12/1959	Freier et al.	362/374
D195,310 S *	5/1963	Zagel	D26/70
D195,583 S *	7/1963	Phillips	D26/71
D201,764 S *	7/1965	Mox	D26/71
D201,765 S *	7/1965	Mox	D26/71
D204,558 S *	4/1966	Zeitz	D26/71
D228,667 S *	10/1973	Anderson, Jr.	D26/71
D230,501 S *	2/1974	Boano	D26/120
D289,087 S *	3/1987	Kobata	D26/120
D293,033 S *	12/1987	Hiranaka	D26/120
D442,313 S *	5/2001	Wojtkowiak et al.	D26/71

* cited by examiner

Primary Examiner—Clare E Heflin

(57) **CLAIM**

The ornamental design for a luminaire, as shown and
described.

DESCRIPTION

FIG. 1 is a lower perspective view of the luminaire of the
present invention;

FIG. 2 is a right side view of the design of the present inven-
tion;

FIG. 3 is a front view of the design of the present invention;

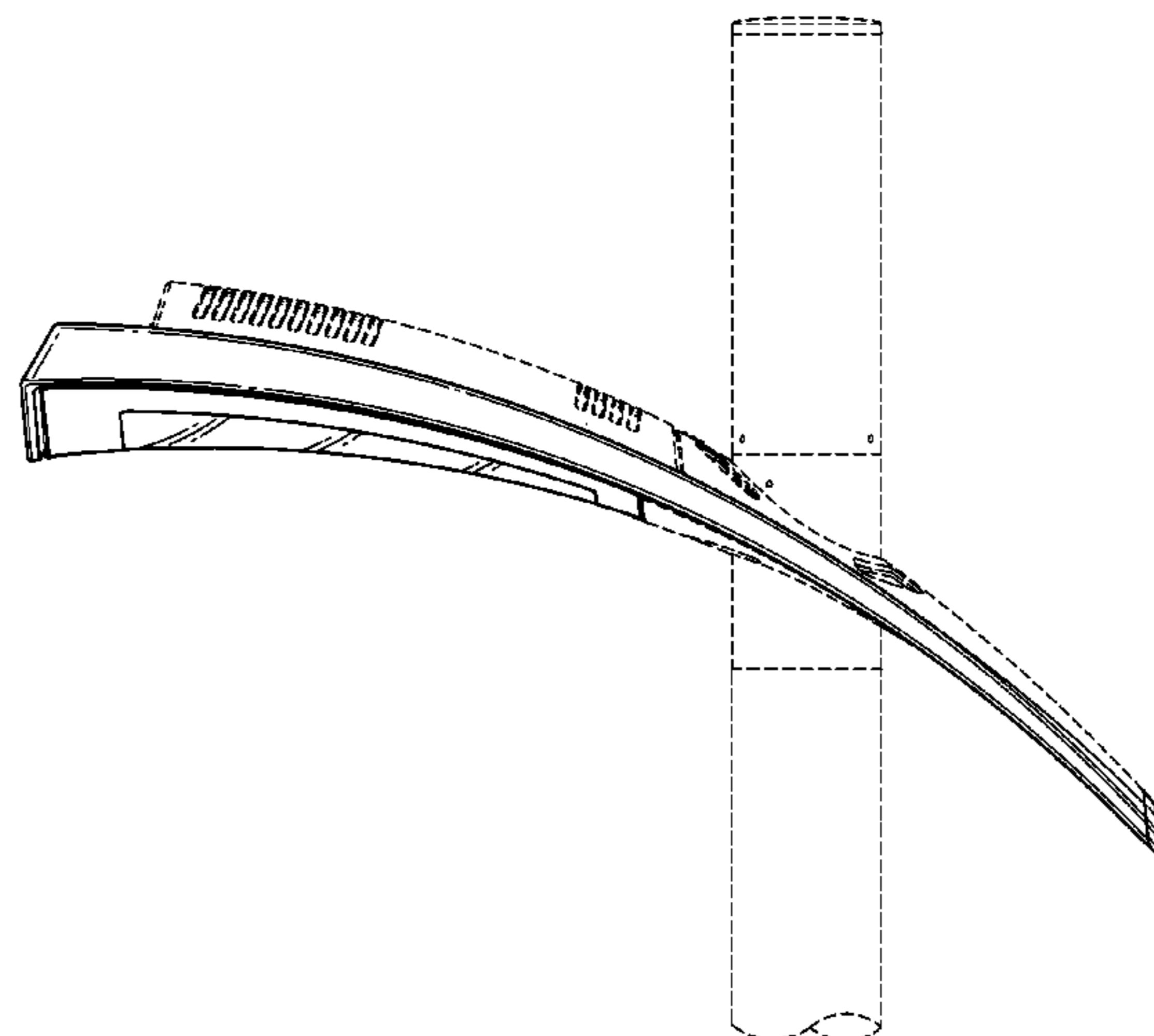
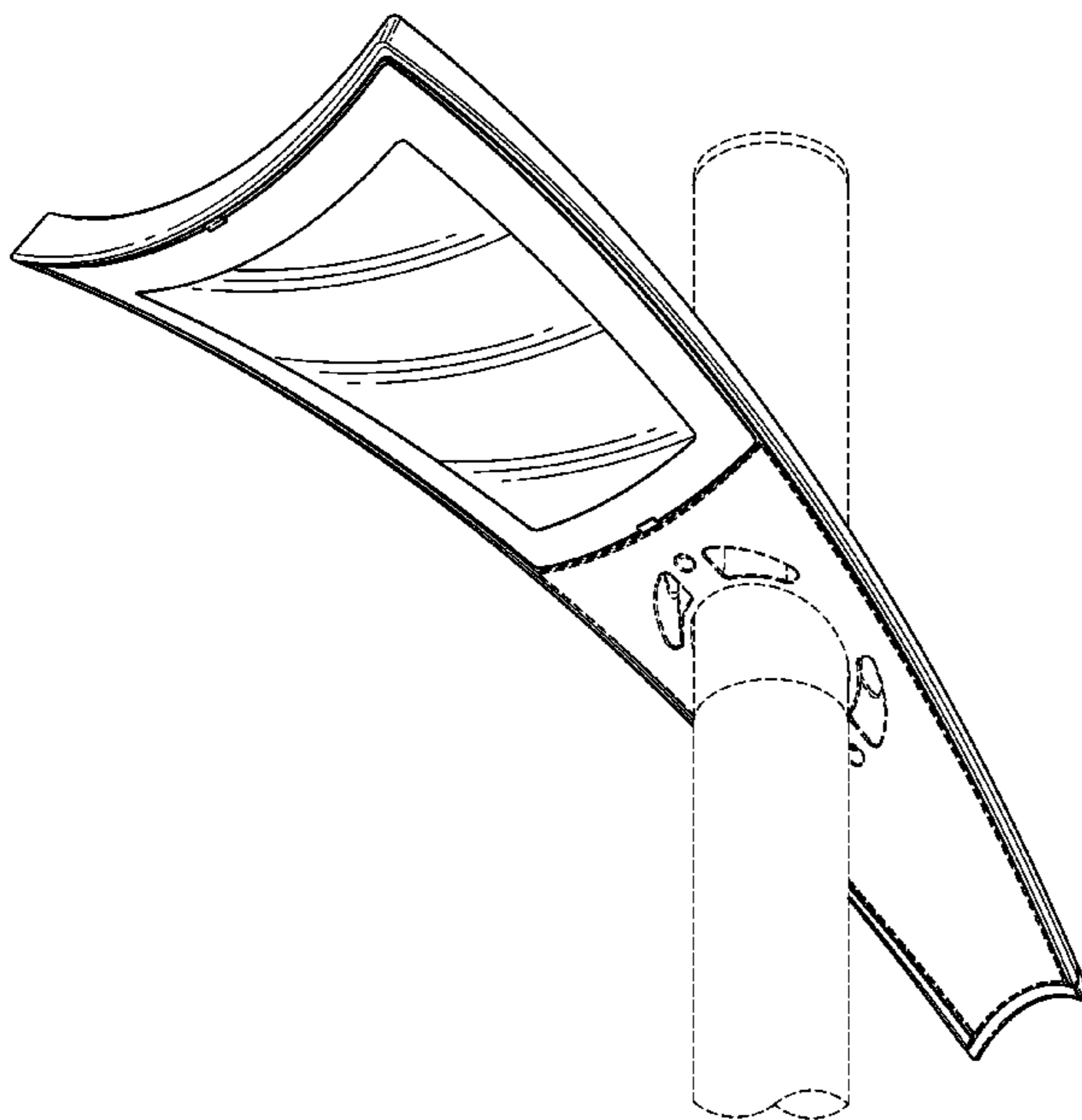
FIG. 4 is a rear view of the design of the present invention;

FIG. 5 is a top view of the design of the present invention; and,

FIG. 6 is a bottom view of the design of the present invention.

The broken lines showing environmental structure are for
illustrative purposes only and form no part of the claimed
design.

1 Claim, 6 Drawing Sheets



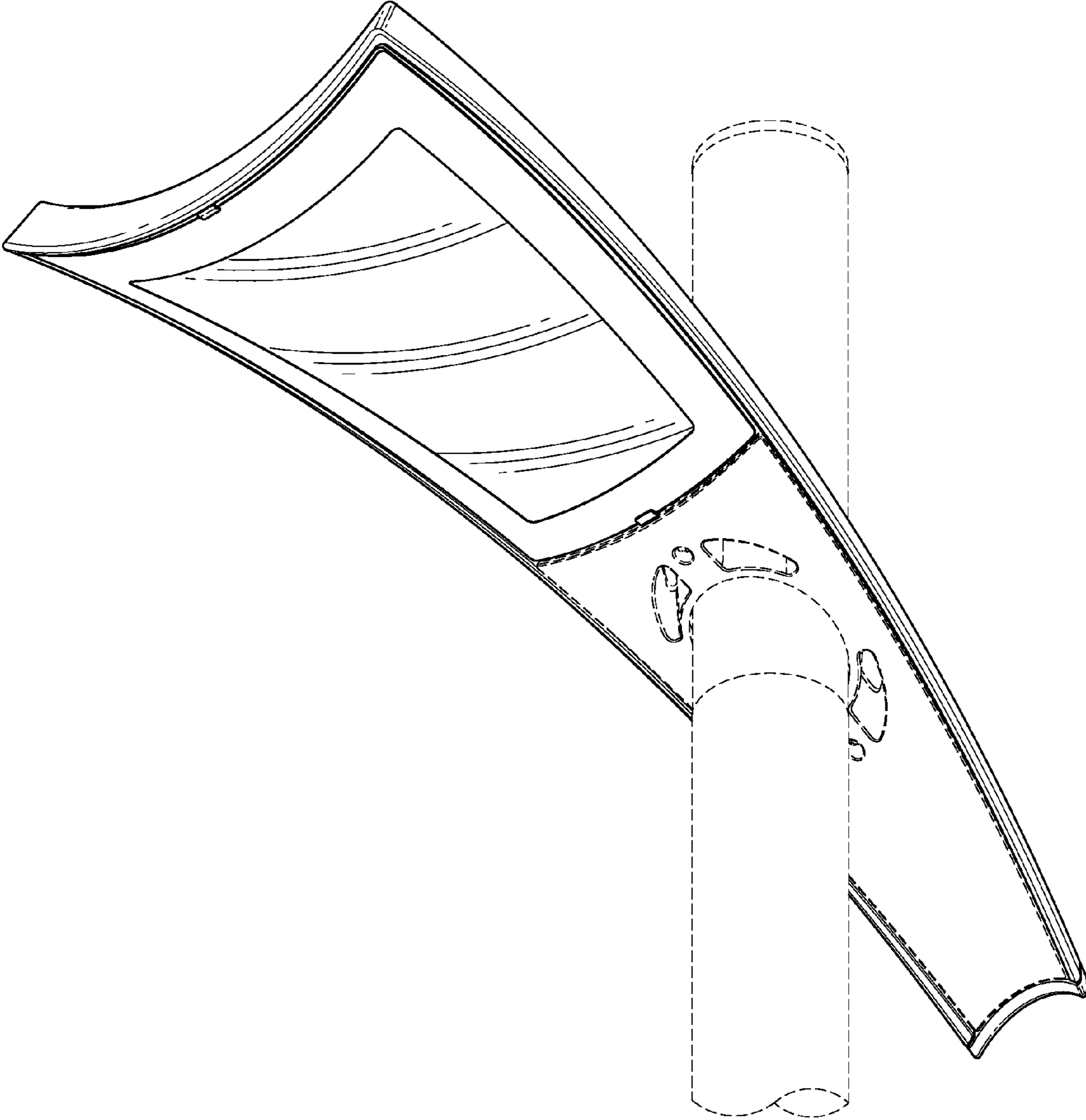


FIG. 1

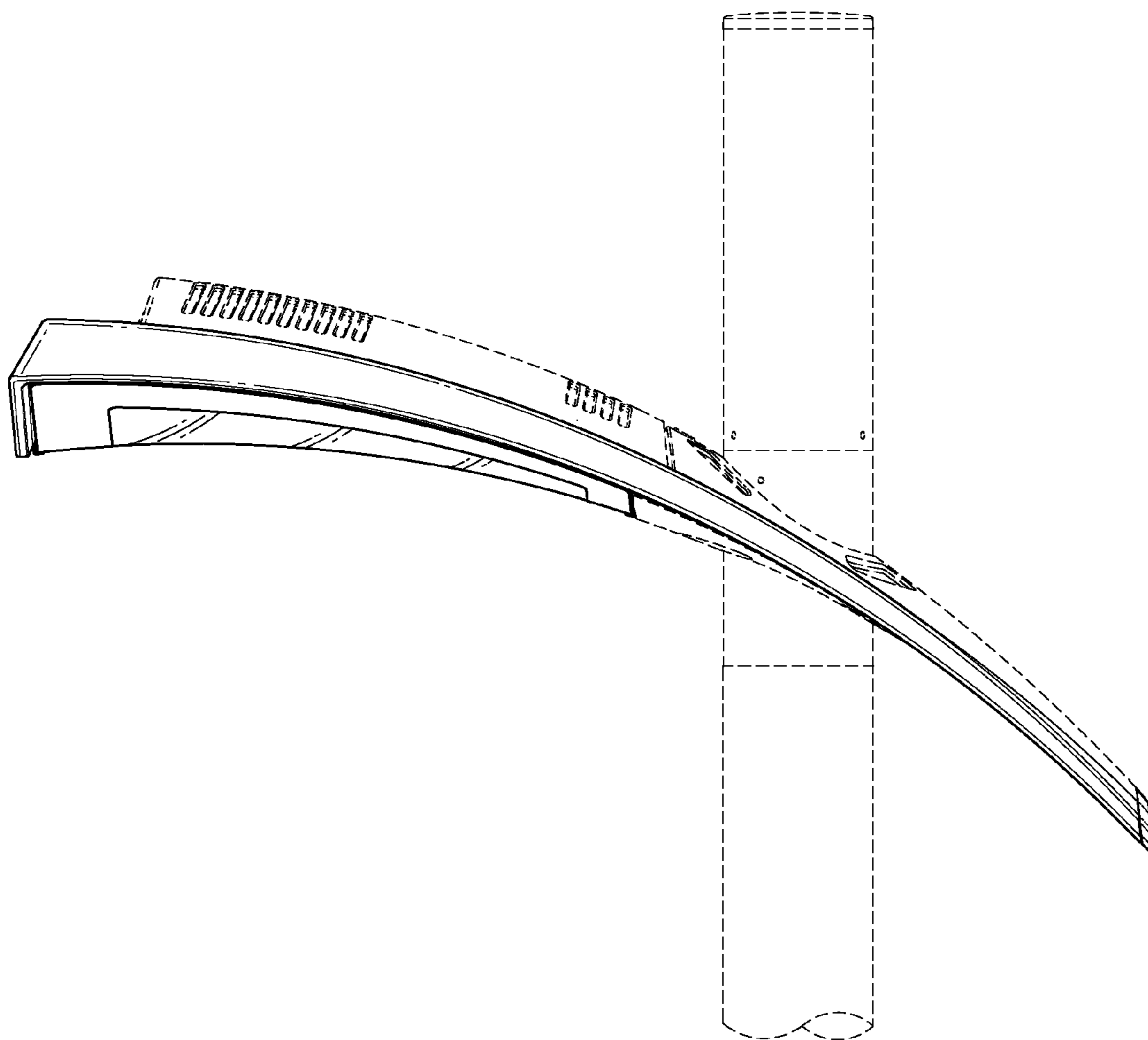


FIG. 2

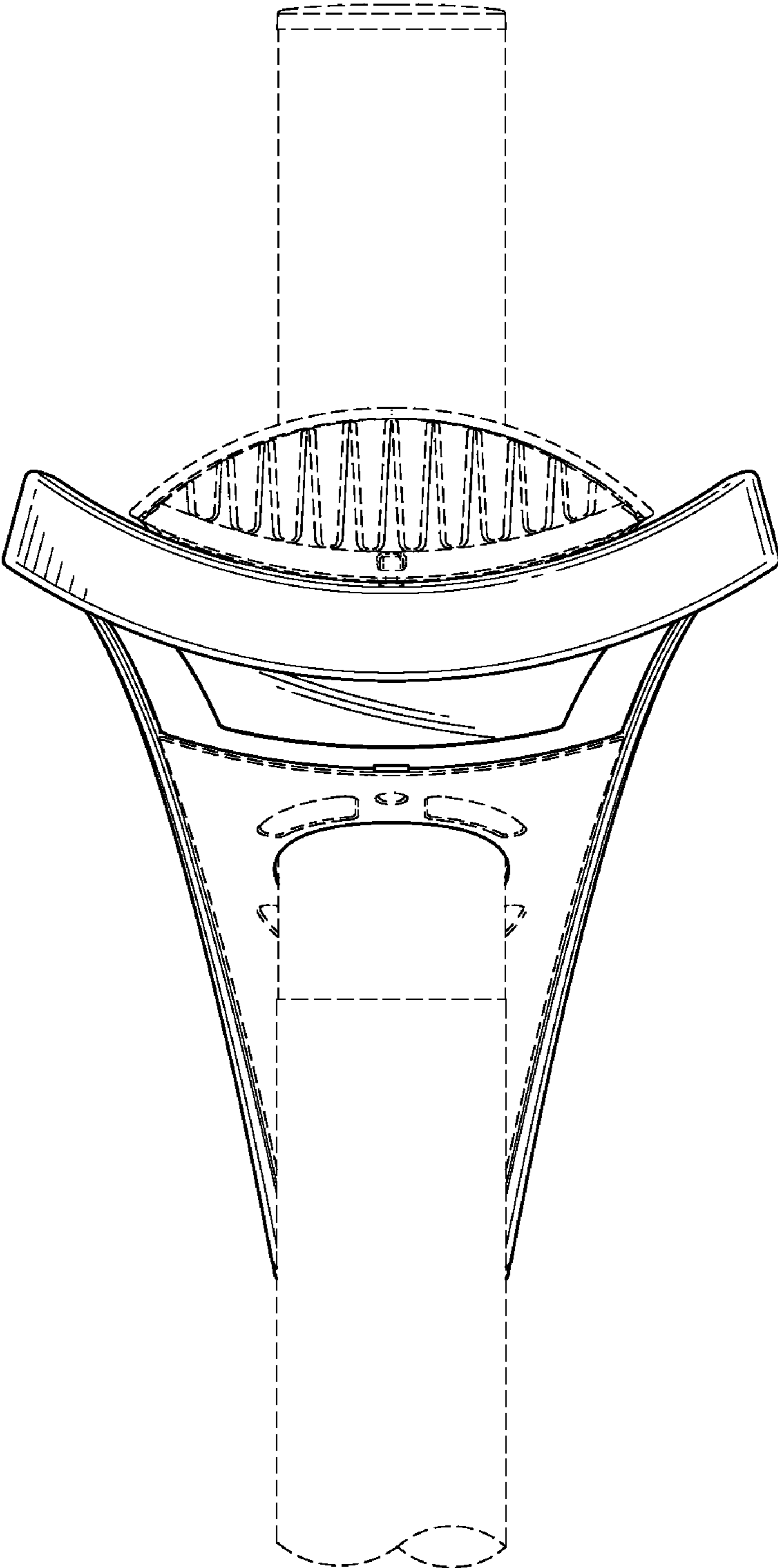


FIG. 3

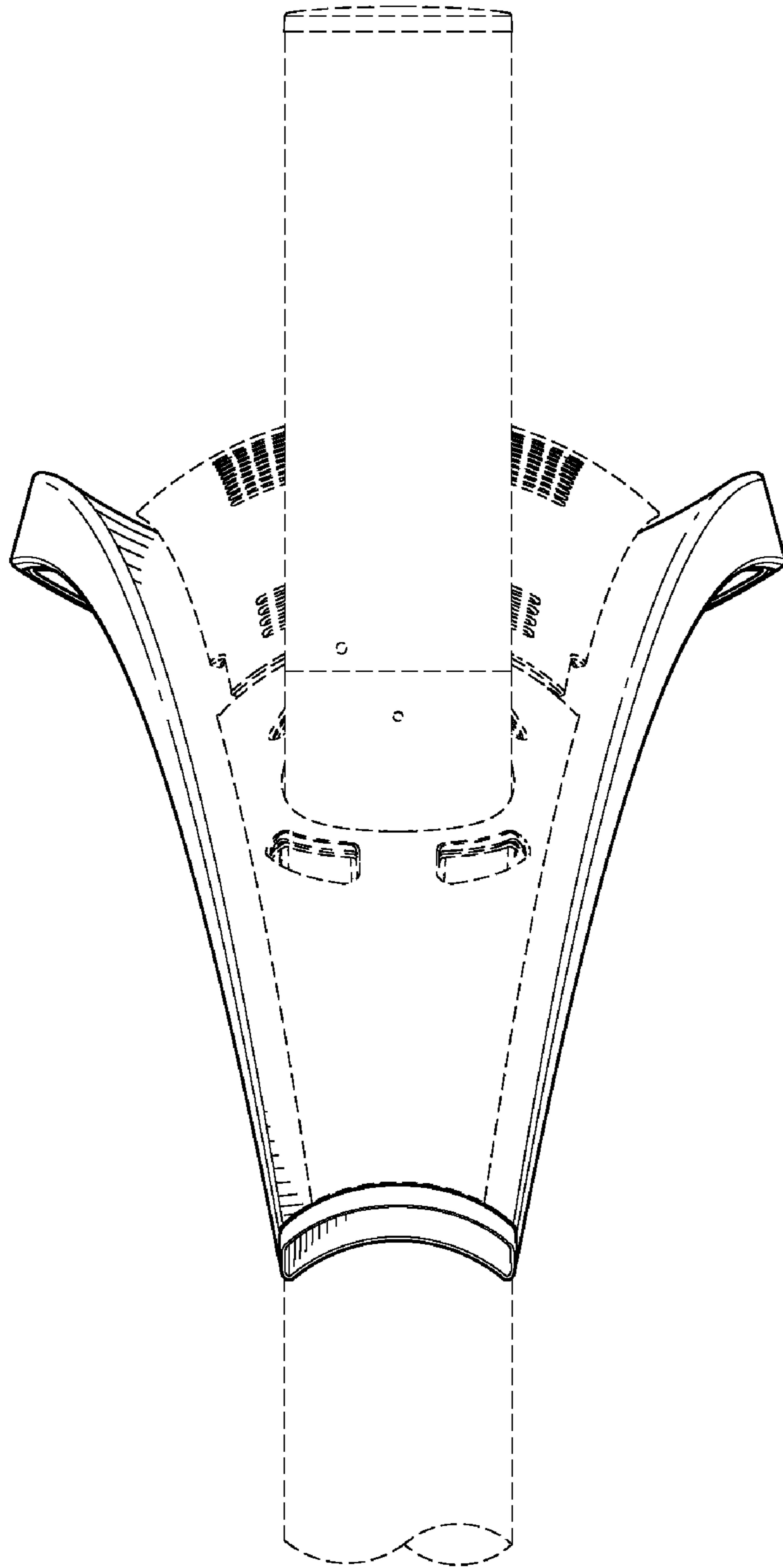


FIG. 4

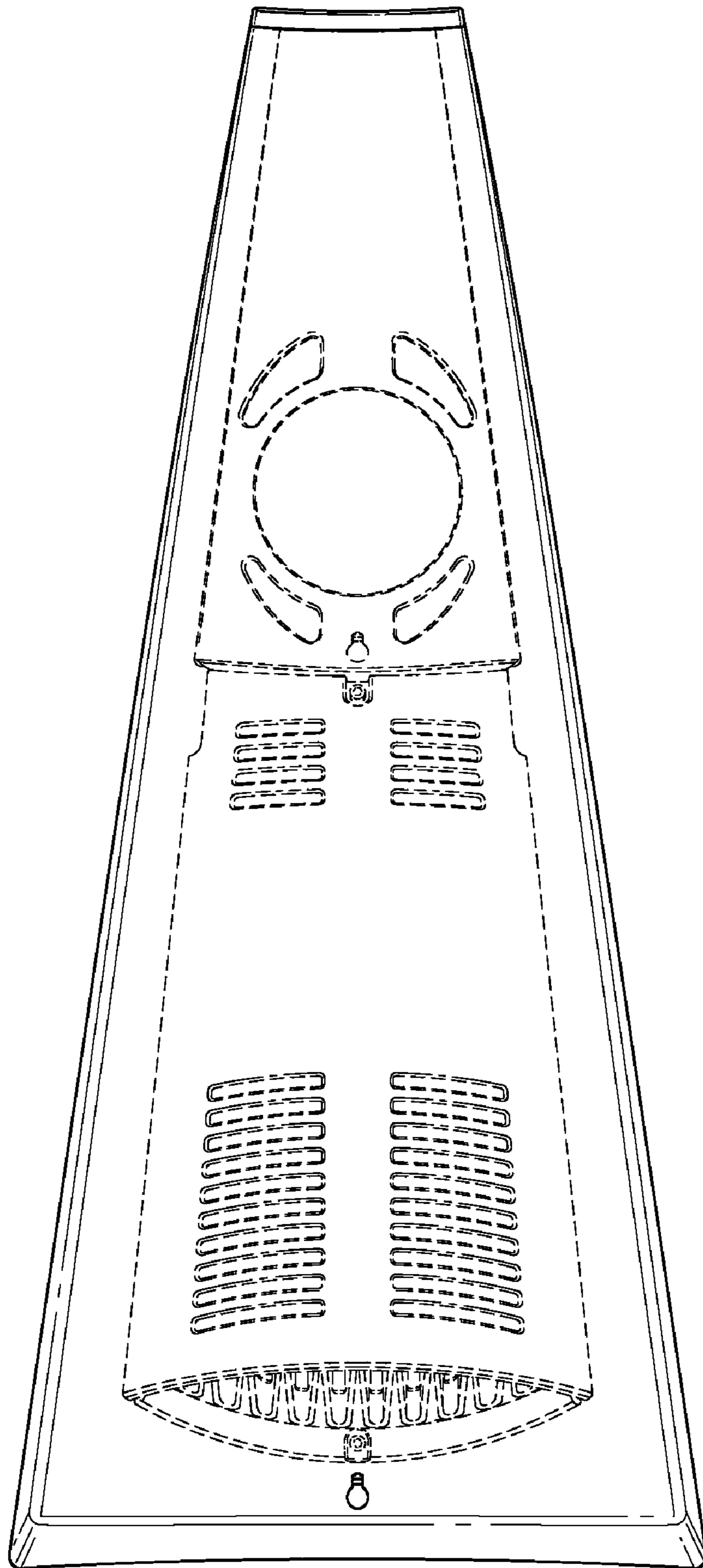


FIG. 5

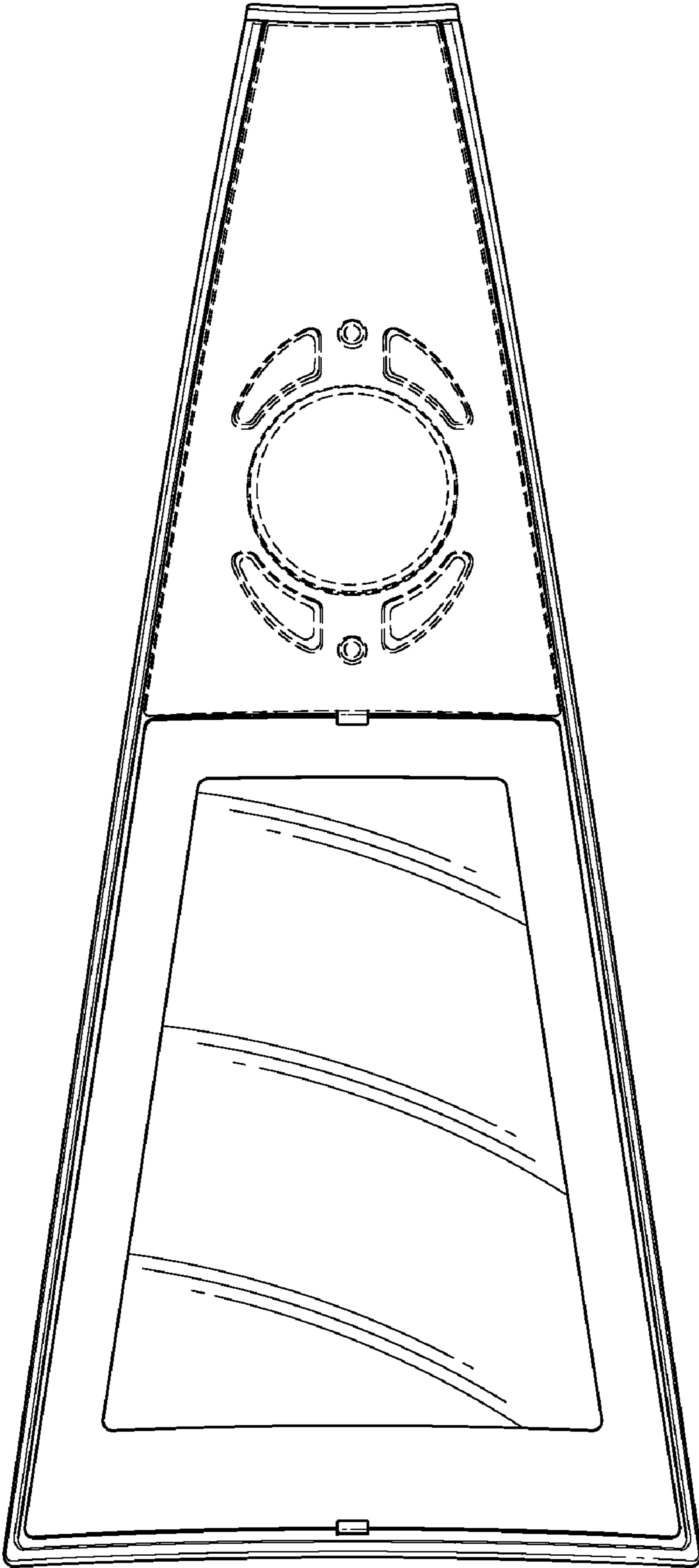


FIG. 6