



US00D629151S

(12) **United States Design Patent**
Zaderej et al.

(10) **Patent No.:** **US D629,151 S**
(45) **Date of Patent:** **** Dec. 14, 2010**

(54) **ILLUMINATION DEVICE**

(75) Inventors: **Victor V. Zaderej**, St. Charles, IL (US);
Daniel B. McGowan, Naperville, IL (US)

(73) Assignee: **Molex Incorporated**, Lisle, IL (US)

(**) Term: **14 Years**

(21) Appl. No.: **29/351,414**

(22) Filed: **Dec. 4, 2009**

Related U.S. Application Data

(63) Continuation of application No. 29/336,378, filed on May 1, 2009, now abandoned.

(51) **LOC (9) Cl.** **26-99**

(52) **U.S. Cl.** **D26/118**

(58) **Field of Classification Search** D26/120,
D26/144, 88, 71, 152, 124, 113, 118, 128,
D26/135, 121, 25, 27, 72, 78, 132, 2, 3, 137,
D26/74, 77, 80, 85, 86, 90, 91, 119, 122,
D26/123, 125, 127, 129, 130, 131, 83, 28;
D16/135, 101; D10/121; D8/353; D13/156,
D13/180, 133, 110, 147, 134, 179; 362/364,
362/365, 147, 235, 257, 290, 296, 330, 335,
362/351, 354, 355, 404; D9/418; 439/552,
439/121

See application file for complete search history.

(56) **References Cited**

U.S. PATENT DOCUMENTS

3,538,321	A *	11/1970	Keller et al.	362/289
D281,355	S	11/1985	Fraley et al.	
4,761,721	A *	8/1988	Willing	362/348
D326,537	S	5/1992	Gattari	
D336,963	S	6/1993	Levin et al.	
D337,389	S	7/1993	Levin et al.	
D390,672	S	2/1998	Seid	
D394,121	S	5/1998	Seid	
D427,335	S	6/2000	Noll	
D433,166	S	10/2000	Noll	

D437,652	S *	2/2001	Uhler et al.	D26/63
6,330,908	B1 *	12/2001	Lee et al.	165/185
D481,688	S *	11/2003	Lee et al.	D13/179
6,655,813	B1 *	12/2003	Ng	362/148
D485,006	S	1/2004	Huang	
D516,229	S	2/2006	Tang	
D525,374	S *	7/2006	Maxik et al.	D26/2
D527,119	S	8/2006	Maxik et al.	
7,111,963	B2 *	9/2006	Zhang	362/294
D529,635	S	10/2006	Johnson	
D530,836	S	10/2006	Johnson	
D538,952	S *	3/2007	Maxik et al.	D26/2
D542,943	S	5/2007	Wang	
D544,117	S	6/2007	Coushaine	

(Continued)

Primary Examiner—Cathron C Brooks

Assistant Examiner—Kevin K Rudzinski

(74) *Attorney, Agent, or Firm*—Banner & Witcoff, Ltd.

(57) **CLAIM**

The ornamental design for an illumination device, as shown and described.

DESCRIPTION

FIG. 1 is a perspective view of an illumination device showing our new design;

FIG. 2 is a second perspective view thereof;

FIG. 3 is a rear view thereof;

FIG. 4 is a right side view thereof;

FIG. 5 is a left side view thereof;

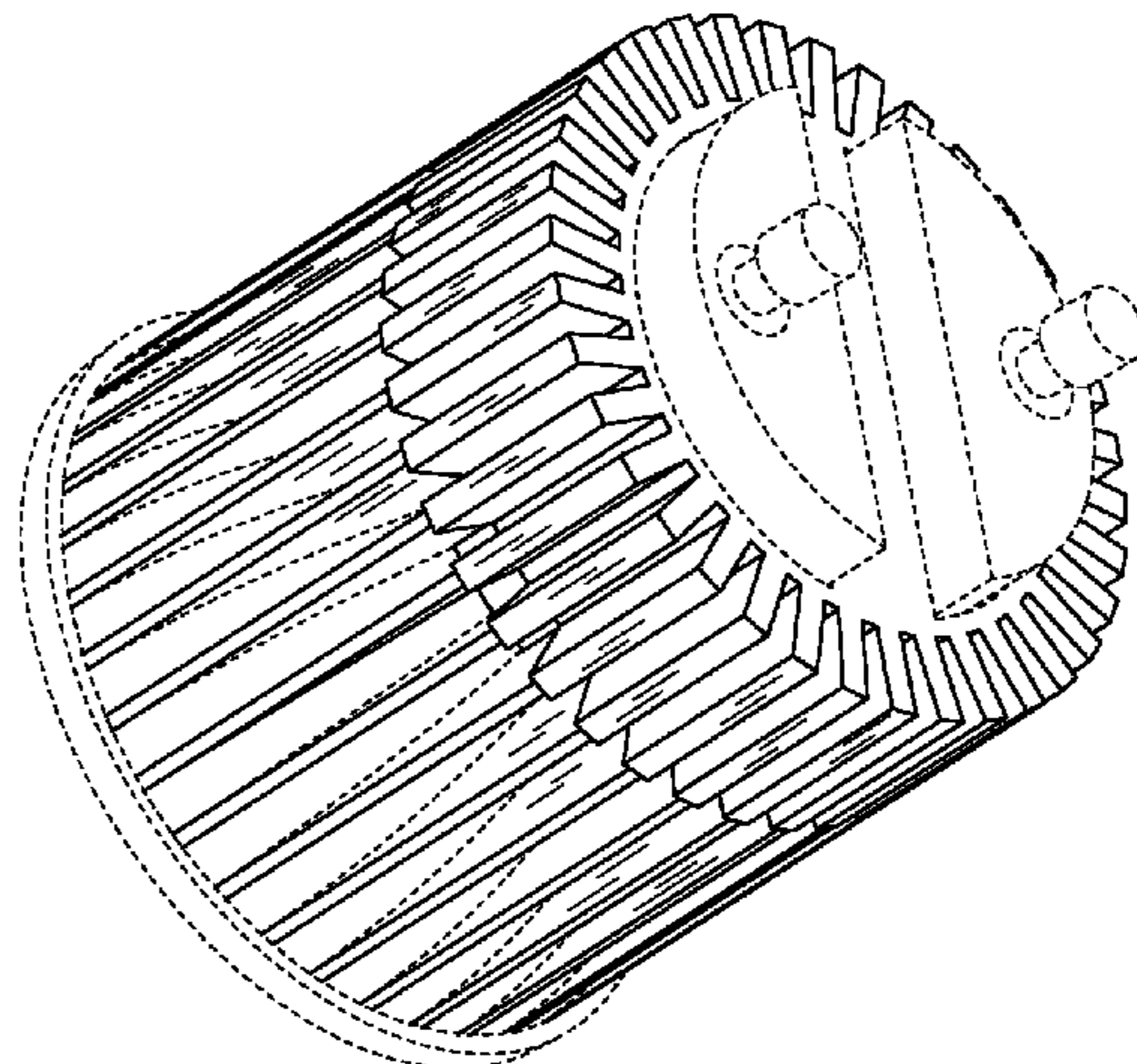
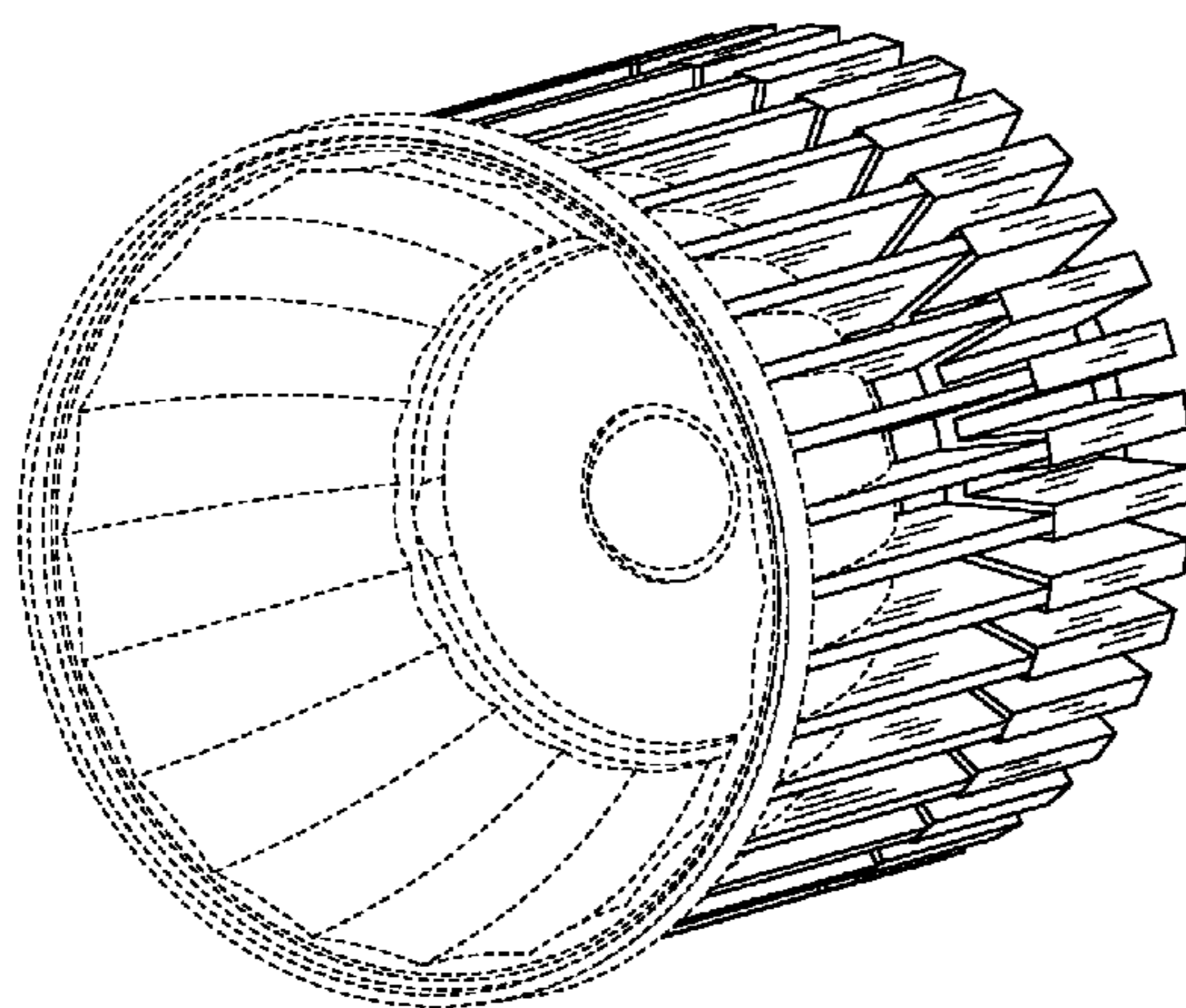
FIG. 6 is a top side view thereof;

FIG. 7 is a bottom view thereof; and,

FIG. 8 is a front view thereof.

The broken line showing of various features of the illumination device depicts environmental subject matter only and forms no part of the claimed design.

1 Claim, 4 Drawing Sheets



US D629,151 S

Page 2

U.S. PATENT DOCUMENTS

D544,618 S	6/2007	Coushaine	D582,578 S	12/2008	Tsai et al.	
D545,457 S	6/2007	Chen	D582,579 S	12/2008	Tsai et al.	
D546,980 S	7/2007	Lo	D586,497 S	2/2009	Wu et al.	
D547,466 S	7/2007	Lo	D586,498 S	2/2009	Wu et al.	
D551,784 S	9/2007	Krieglmeyer et al.	D587,383 S	2/2009	Wei	
D552,277 S	10/2007	Chue	D587,384 S	2/2009	Wei	
D553,274 S	10/2007	Hill et al.	D588,290 S *	3/2009	Coushaine et al.	D26/28
D561,917 S	2/2008	Tsao	D590,075 S	4/2009	Grajcar	
D565,212 S	3/2008	Butler	D590,076 S	4/2009	Grajcar	
D566,300 S	4/2008	Lo	D590,077 S	4/2009	Grajcar	
D568,498 S	5/2008	Degenhard et al.	D591,894 S	5/2009	Flank	
D571,497 S	6/2008	Chan et al.	2003/0214810 A1 *	11/2003	Zhang	362/294
D573,294 S	7/2008	Chan et al.	2007/0211470 A1 *	9/2007	Huang	362/294
D581,083 S	11/2008	Chan et al.	2007/0253202 A1 *	11/2007	Wu et al.	362/294
D581,555 S	11/2008	To et al.	2007/0297177 A1	12/2007	Wang et al.	
D582,062 S	12/2008	Van de Poel	2009/0237891 A1 *	9/2009	Liu et al.	361/714

* cited by examiner

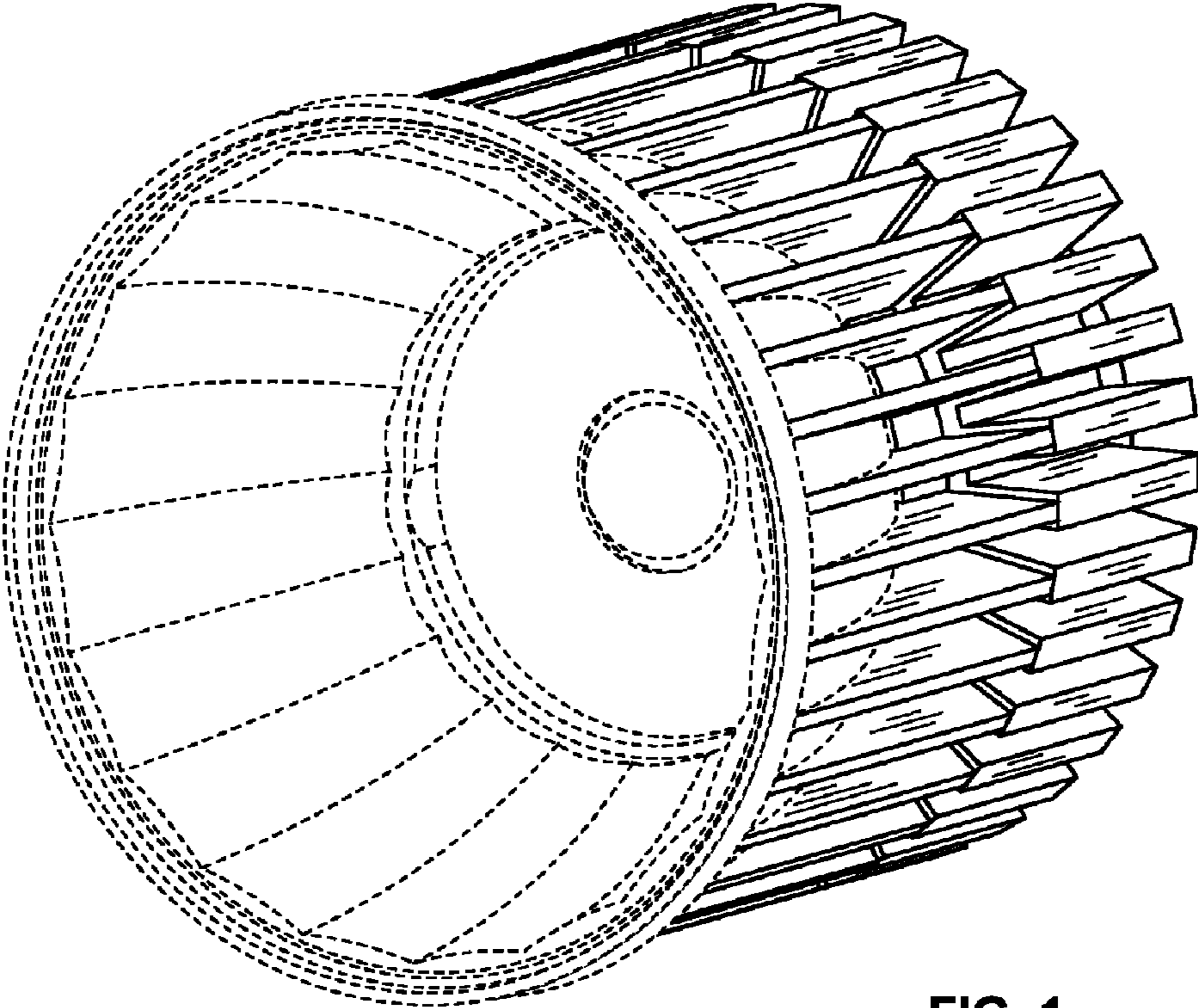


FIG. 1

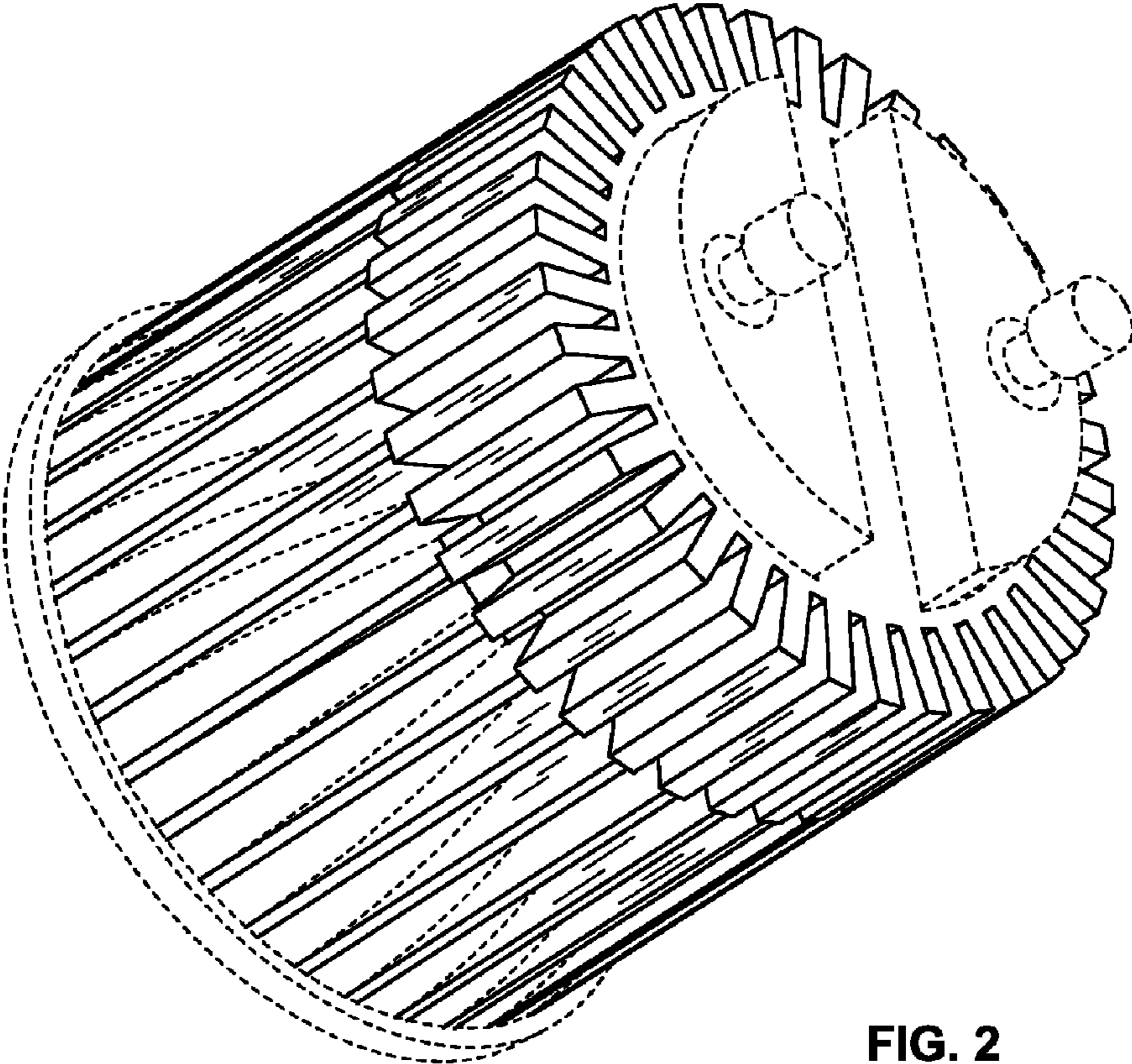


FIG. 2

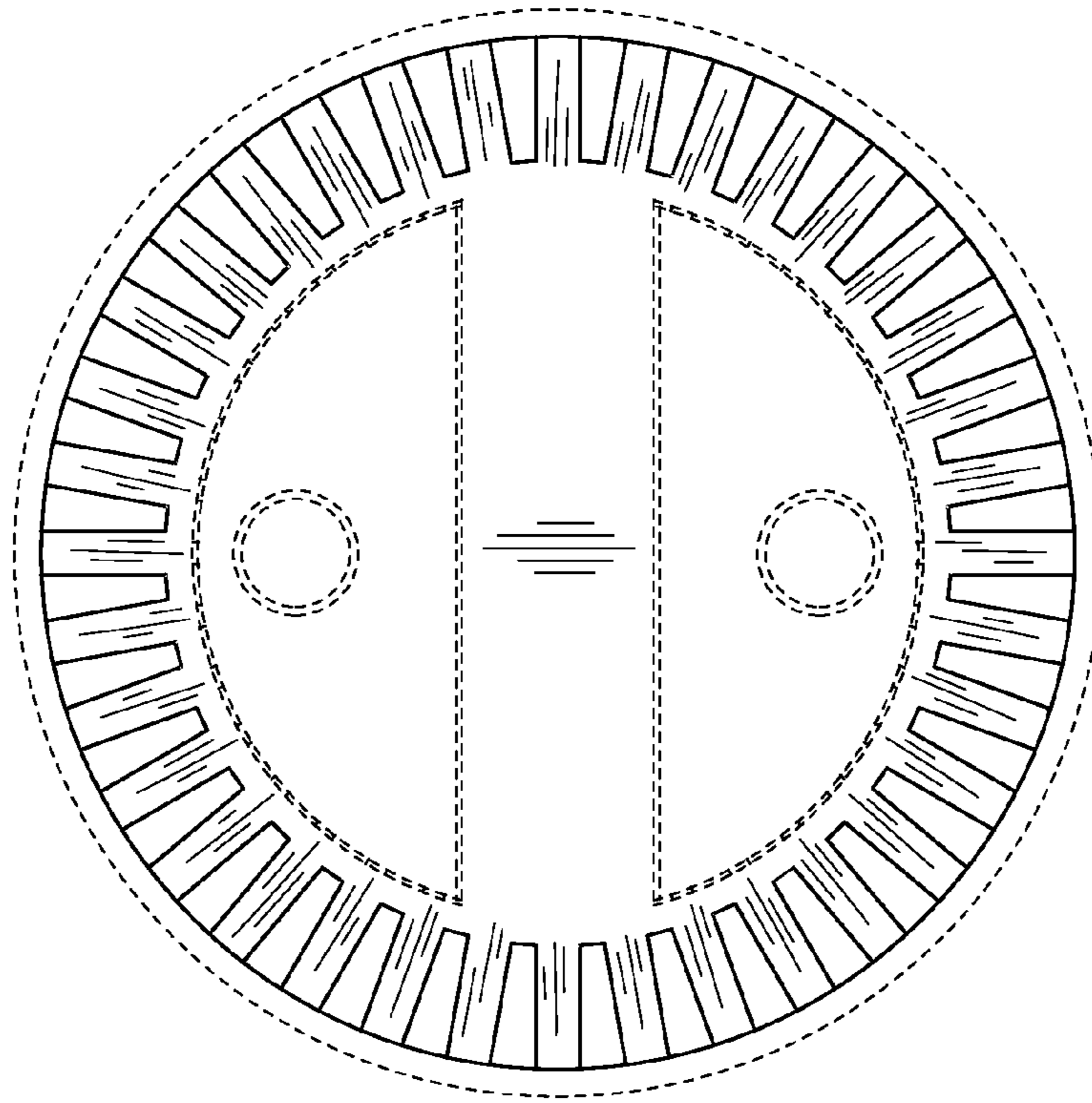


FIG. 3

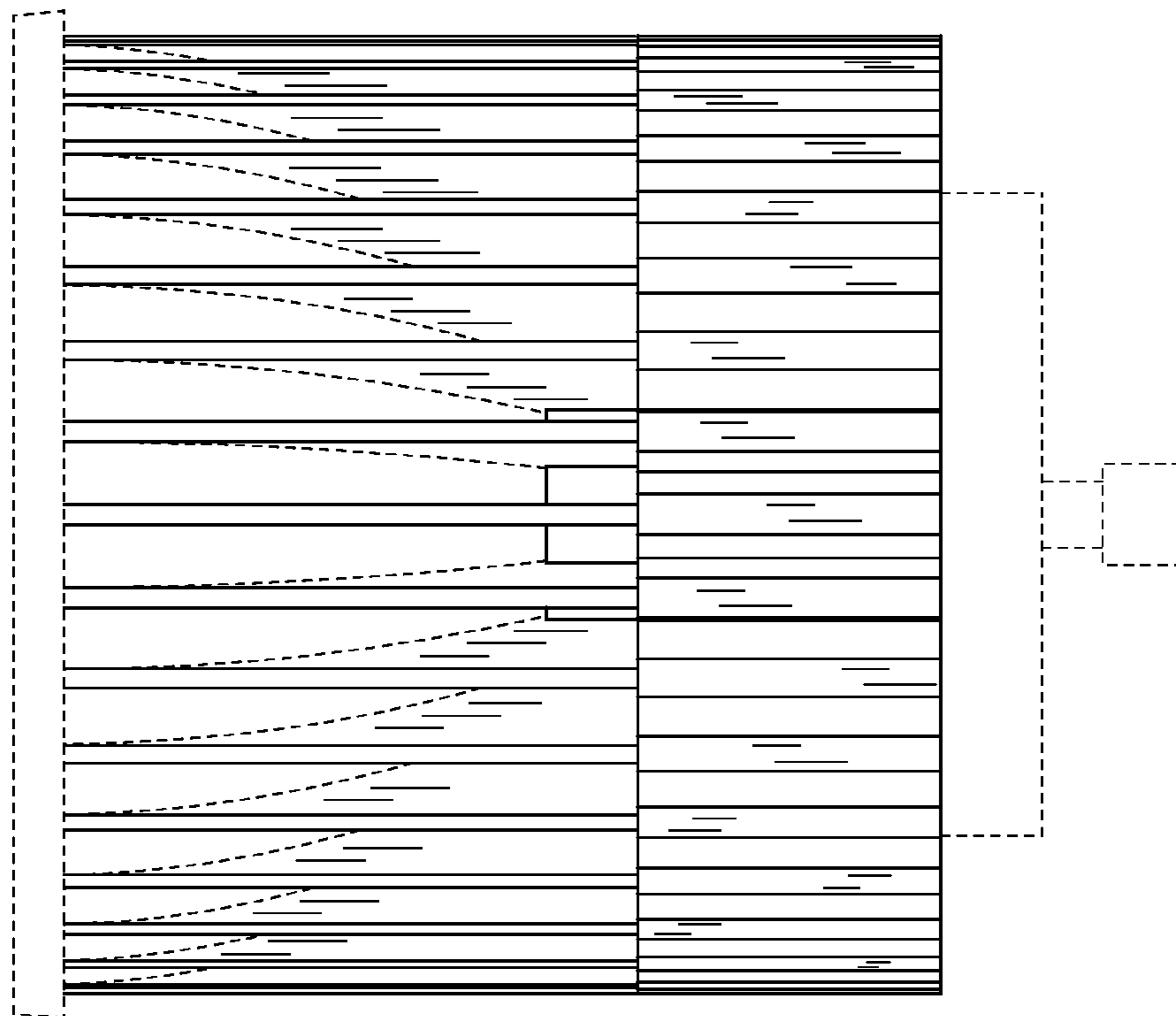


FIG. 4

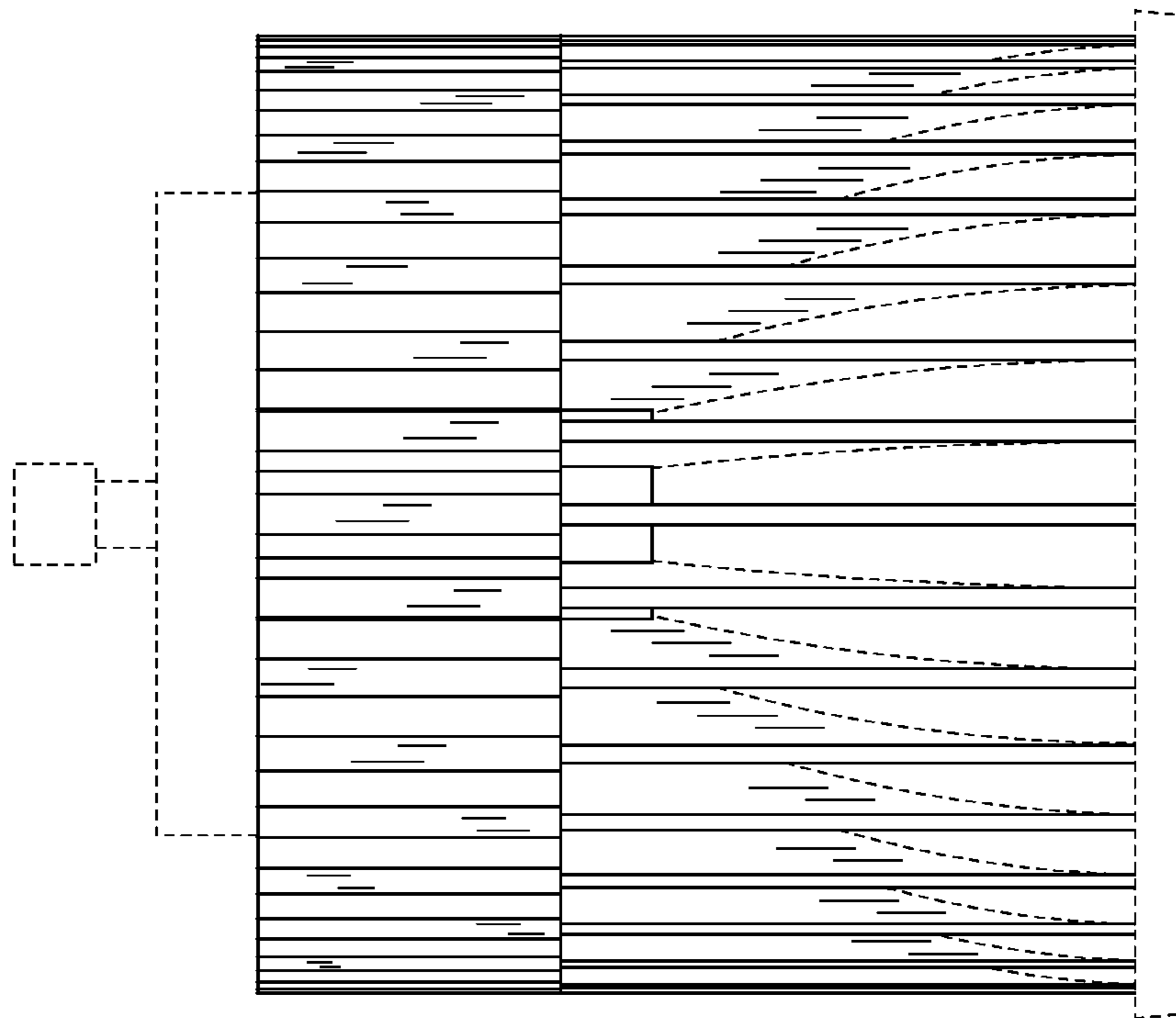


FIG. 5

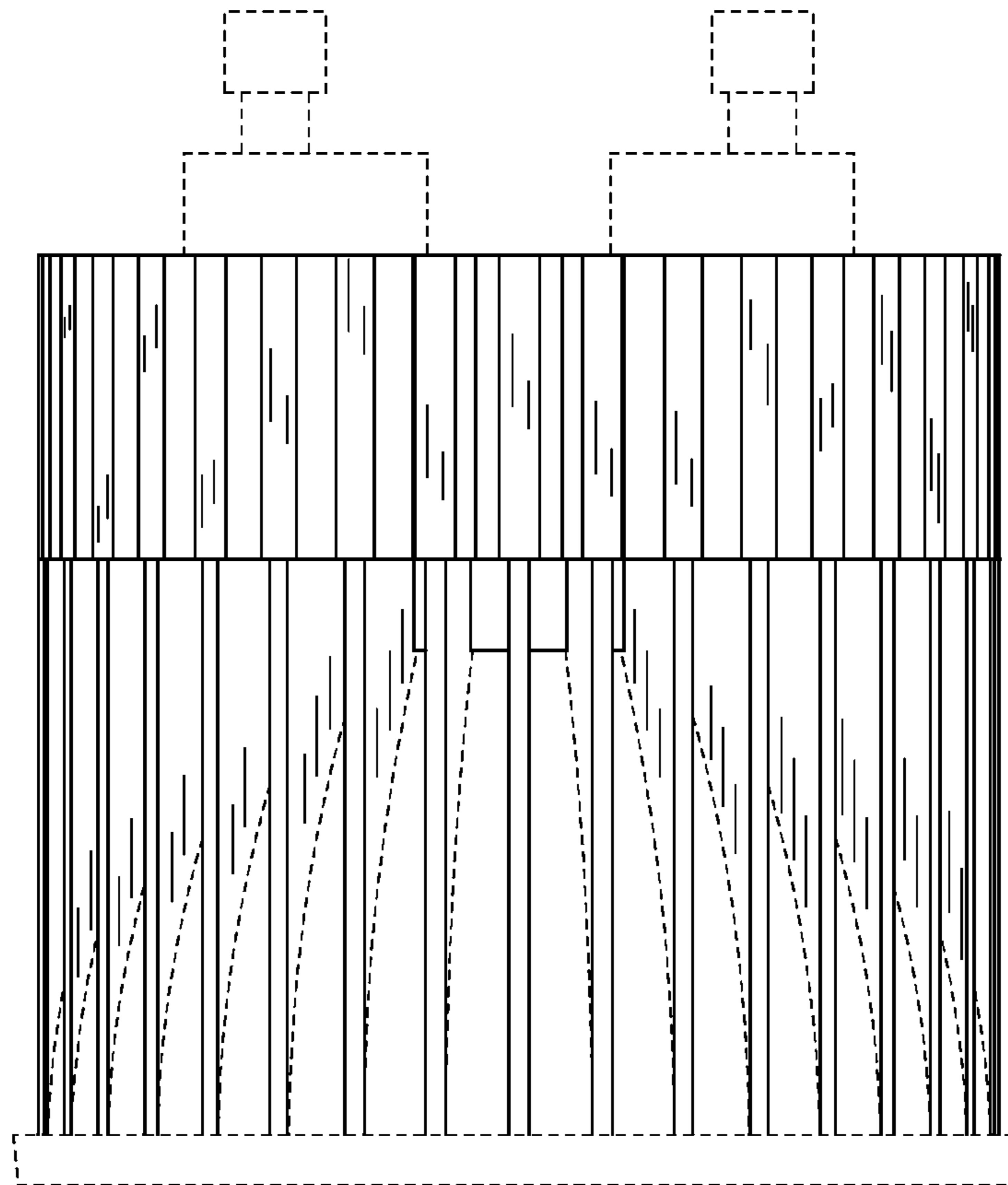


FIG. 6

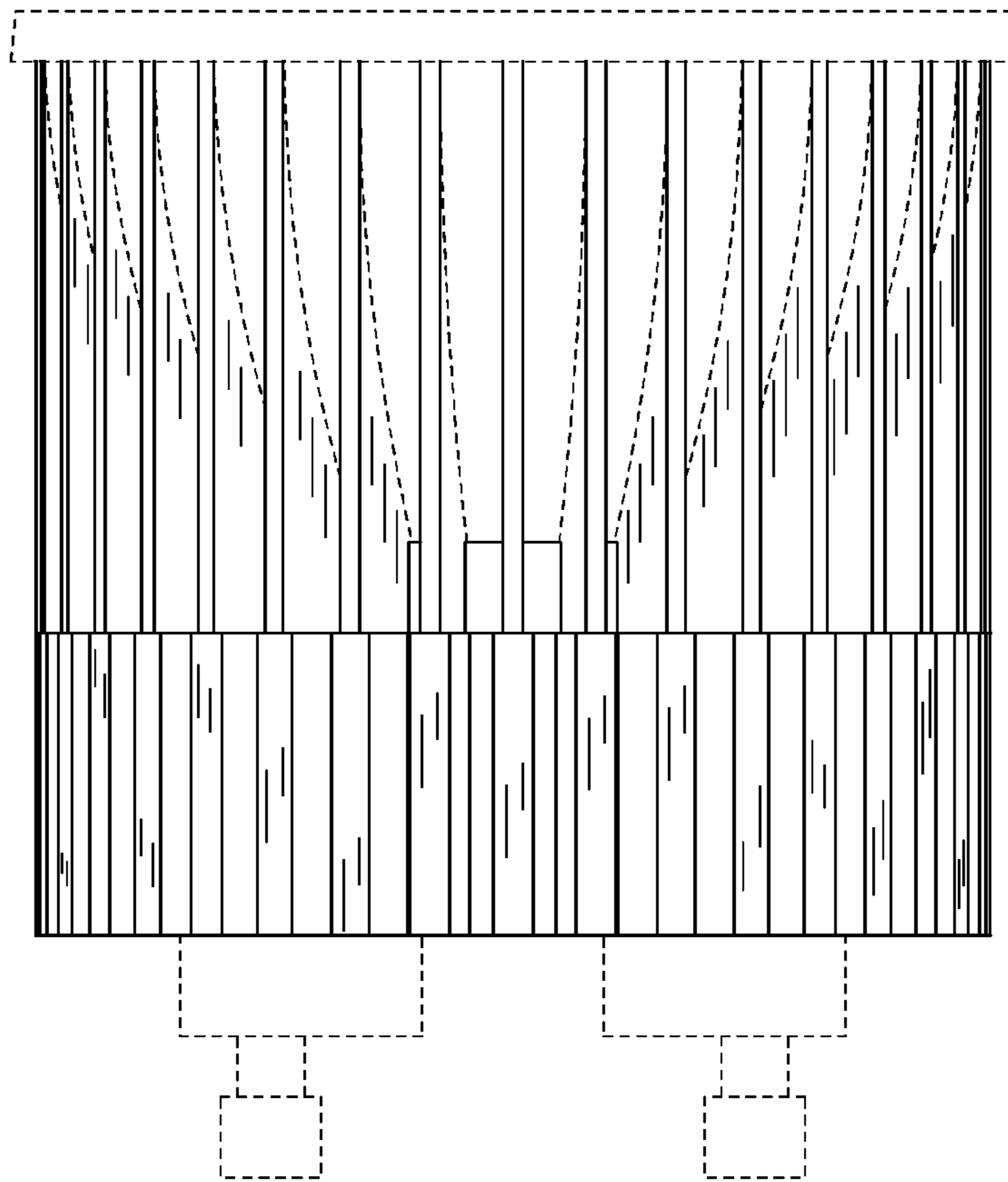


FIG. 7

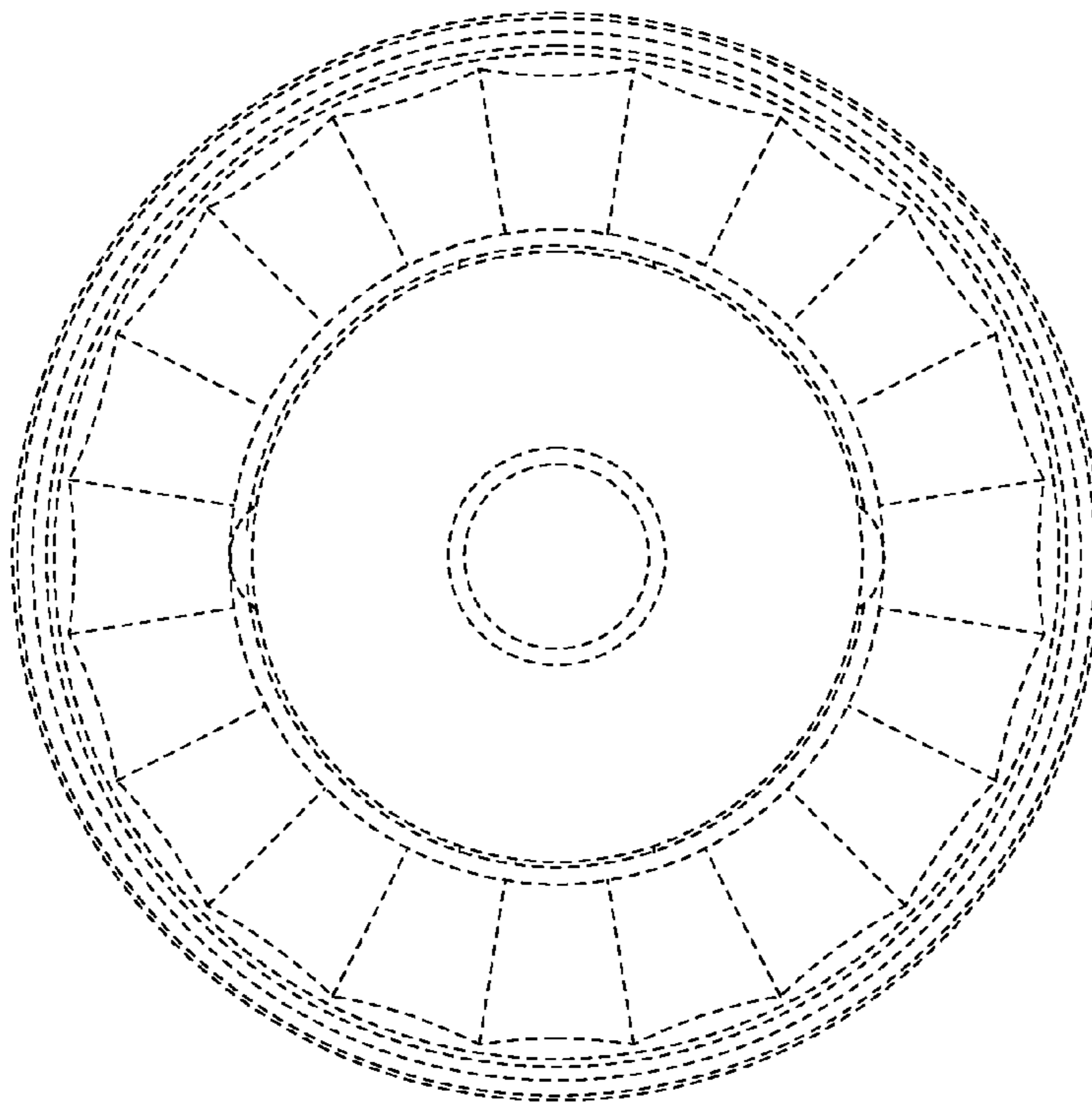


FIG. 8