



US00D629141S

(12) **United States Design Patent**  
**Sperling**

(10) **Patent No.:** **US D629,141 S**

(45) **Date of Patent:** **\*\* Dec. 14, 2010**

(54) **WALL SCONCE**

(75) Inventor: **Jacob Sperling**, Los Angeles, CA (US)

(73) Assignee: **Maxim Lighting International, Inc.**, Industry, CA (US)

(\*\*) Term: **14 Years**

(21) Appl. No.: **29/330,938**

(22) Filed: **Jan. 16, 2009**

(51) **LOC (9) Cl.** ..... **26-03**

(52) **U.S. Cl.** ..... **D26/87**

(58) **Field of Classification Search** ..... D26/80–88,  
D26/143, 144; 362/147, 404–408, 431, 432  
See application file for complete search history.

(56) **References Cited**

**U.S. PATENT DOCUMENTS**

D58,887 S *	9/1921	Cohn	.....	D26/81
D63,525 S *	12/1923	Warman	.....	D26/84
D359,140 S *	6/1995	Porter	.....	D26/81
D377,400 S *	1/1997	Blackman	.....	D26/87
D398,069 S *	9/1998	Hammar	.....	D26/81
D404,162 S	1/1999	Dolan		
D409,783 S *	5/1999	Hammar	.....	D26/81
D410,102 S *	5/1999	Hammar	.....	D26/81
D411,029 S *	6/1999	Hammar	.....	D26/81
D419,712 S	1/2000	Bleisch		
D431,664 S	10/2000	Hsieh		
D432,699 S *	10/2000	Hsieh	.....	D26/84
D440,692 S	4/2001	Janos et al.		
D445,942 S	7/2001	Hsu		
D446,334 S	8/2001	Hsu		
D452,340 S	12/2001	Pickett et al.		
D453,581 S	2/2002	Orozco		
6,565,234 B1	5/2003	Skegin et al.		
D518,225 S *	3/2006	Yando et al.	.....	D26/142
7,114,833 B1	10/2006	Pickett et al.		
D570,038 S	5/2008	McDowell		
7,384,170 B2	6/2008	Skegin		
D576,348 S *	9/2008	Myers et al.	.....	D26/144
D602,190 S *	10/2009	Sperling	.....	D26/81

2008/0030983 A1 2/2008 Pickett et al.  
2008/0170390 A1 7/2008 McDowell  
2008/0298076 A1 12/2008 Skegin

**OTHER PUBLICATIONS**

“Oasis” collection chandeliers #14038/8+4 and 14039/6 shown on pp. 94 and 96 of the E.L.K. Lighting Catalog © 2009.\*  
“Encasement” collection chandelier #14029/5 shown on p. 100 of the E.L.K. Lighting Catalog © 2009.\*  
Co-pending U.S. Appl. No. 12/324,587, filed Nov. 26, 2008.  
Co-pending U.S. Appl. No. 29/330,941, filed Jan. 16, 2009.  
Co-pending U.S. Appl. No. 29/330,940, filed Jan. 16, 2009.  
Co-pending U.S. Appl. No. 29/330,930, filed Jan. 16, 2009.  
Co-pending U.S. Appl. No. 29/330,933, filed Jan. 16, 2009.  
Co-pending U.S. Appl. No. 29/330,942, filed Jan. 16, 2009.  
Co-pending U.S. Appl. No. 12/401,290, filed Mar. 10, 2009.  
Co-pending U.S. Appl. No. 29/333,842, filed Mar. 16, 2009.  
Co-pending U.S. Appl. No. 29/330,939, filed Jan. 16, 2009.  
“Copper Quill” chandelier #4998-6H shown on p. 143 of the AF Lighting Catalog ©2007.

\* cited by examiner

*Primary Examiner*—Clare E Heflin

(74) *Attorney, Agent, or Firm*—Bracewell & Giuliani LLP

(57) **CLAIM**

The ornamental design for a wall sconce, as shown and described.

**DESCRIPTION**

FIG. 1 is a perspective view of the wall sconce showing my new design;

FIG. 2 is a top plan view thereof;

FIG. 3 is a bottom plan view thereof;

FIG. 4 is a front elevational view thereof;

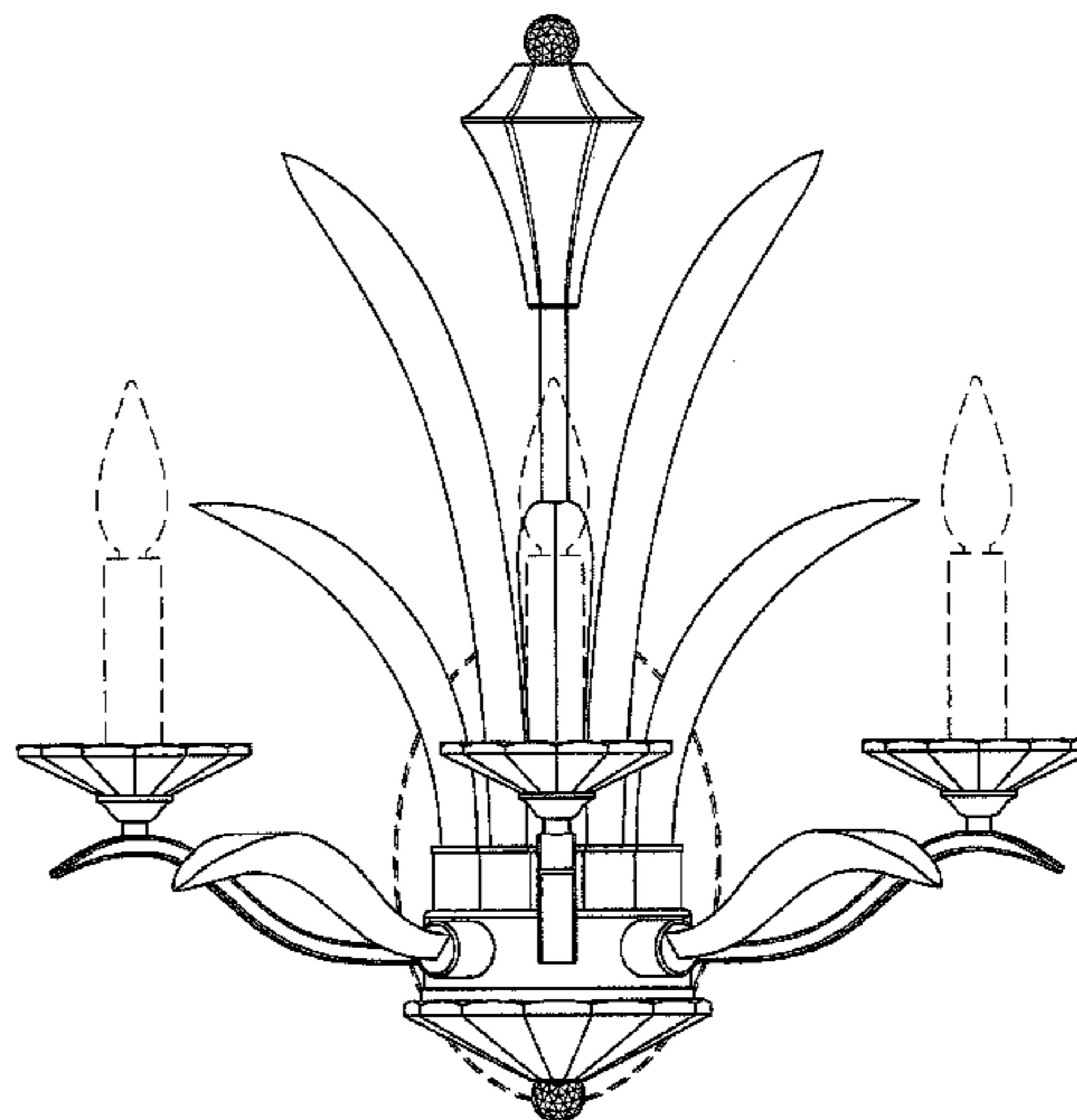
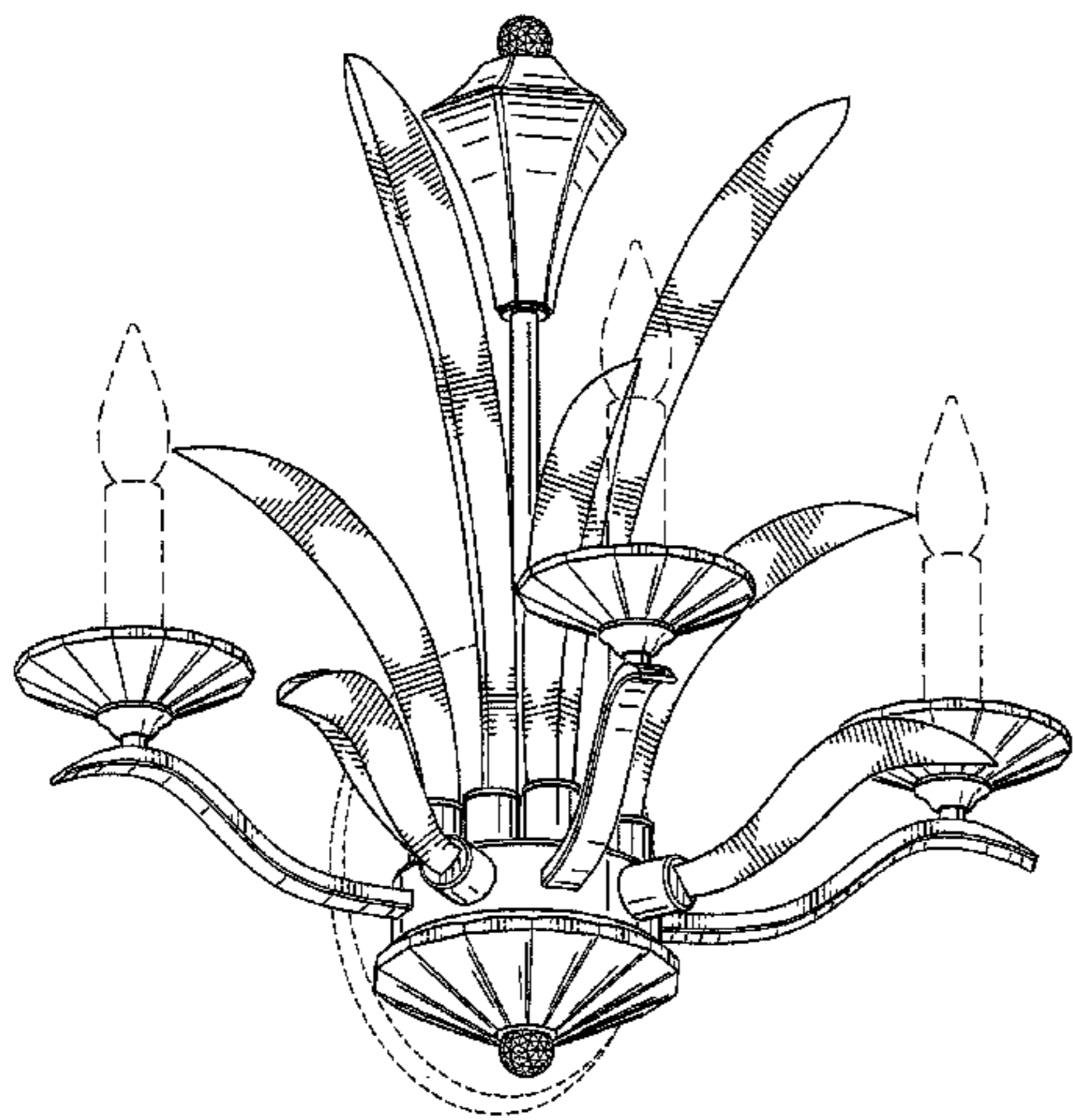
FIG. 5 is a rear elevational view thereof;

FIG. 6 is a left side elevational view thereof; and,

FIG. 7 is a right side elevational view thereof.

The broken lines depict environmental subject matter only and form no part of the claimed design.

**1 Claim, 6 Drawing Sheets**



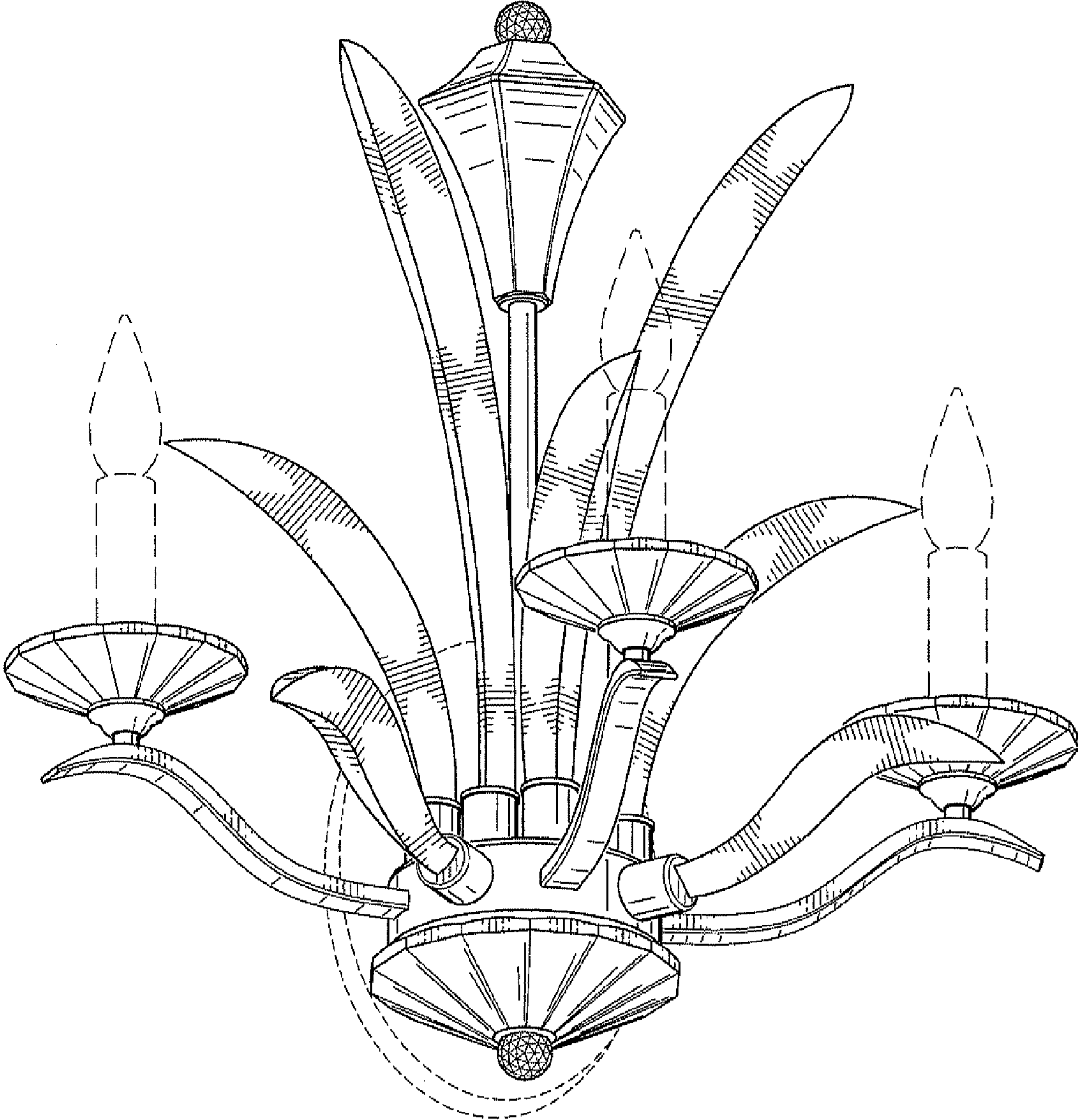
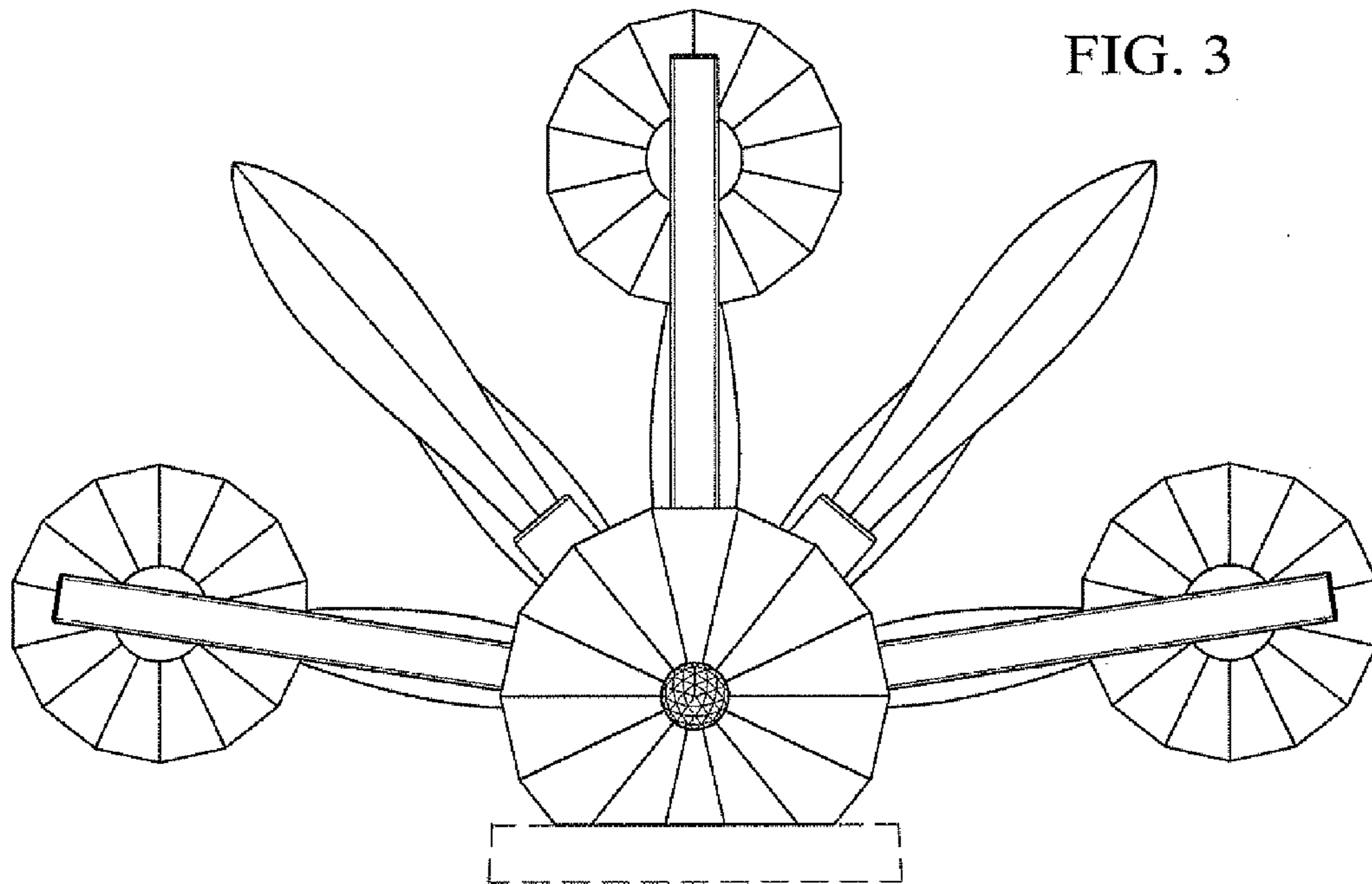
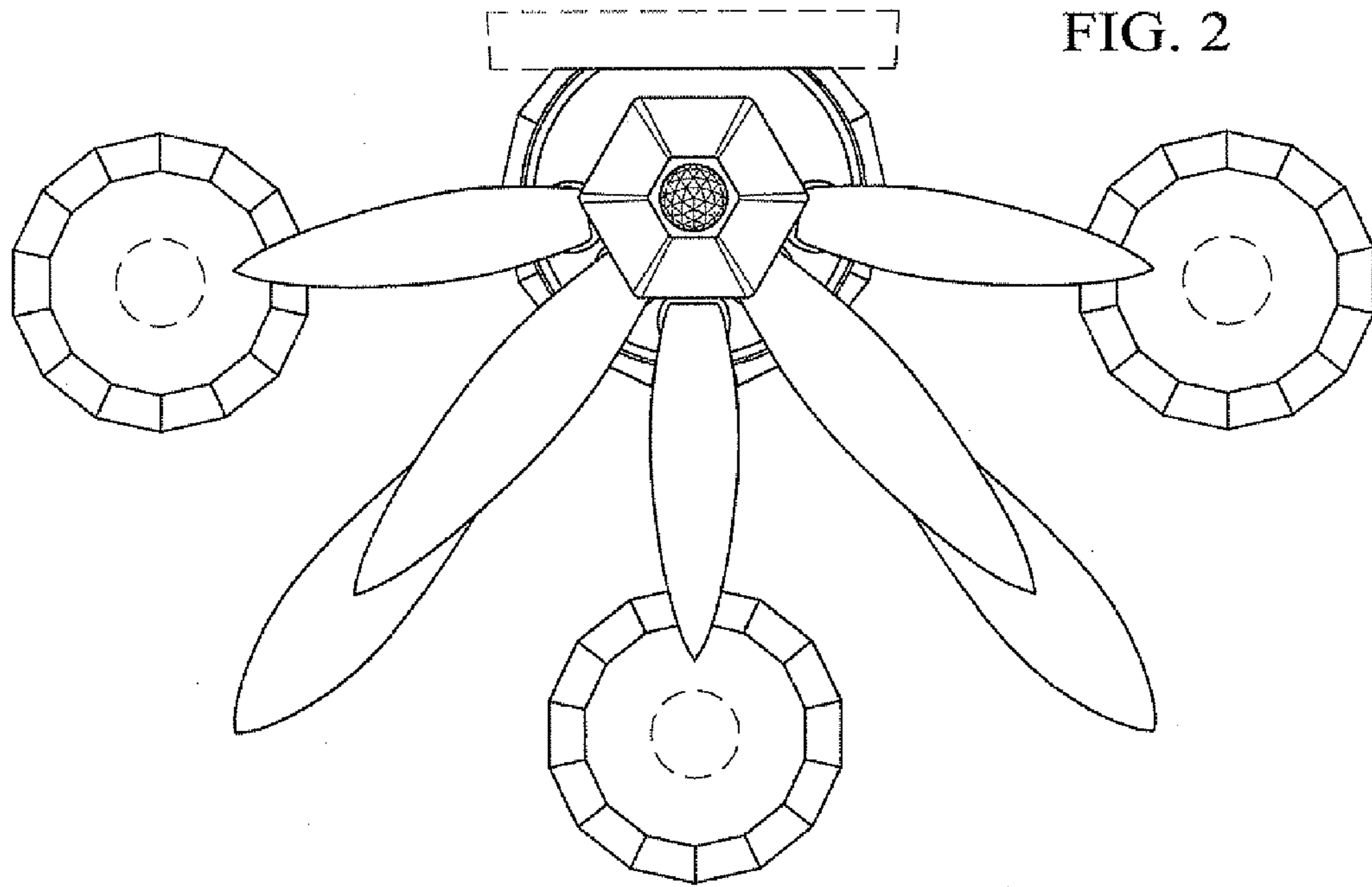


FIG. 1



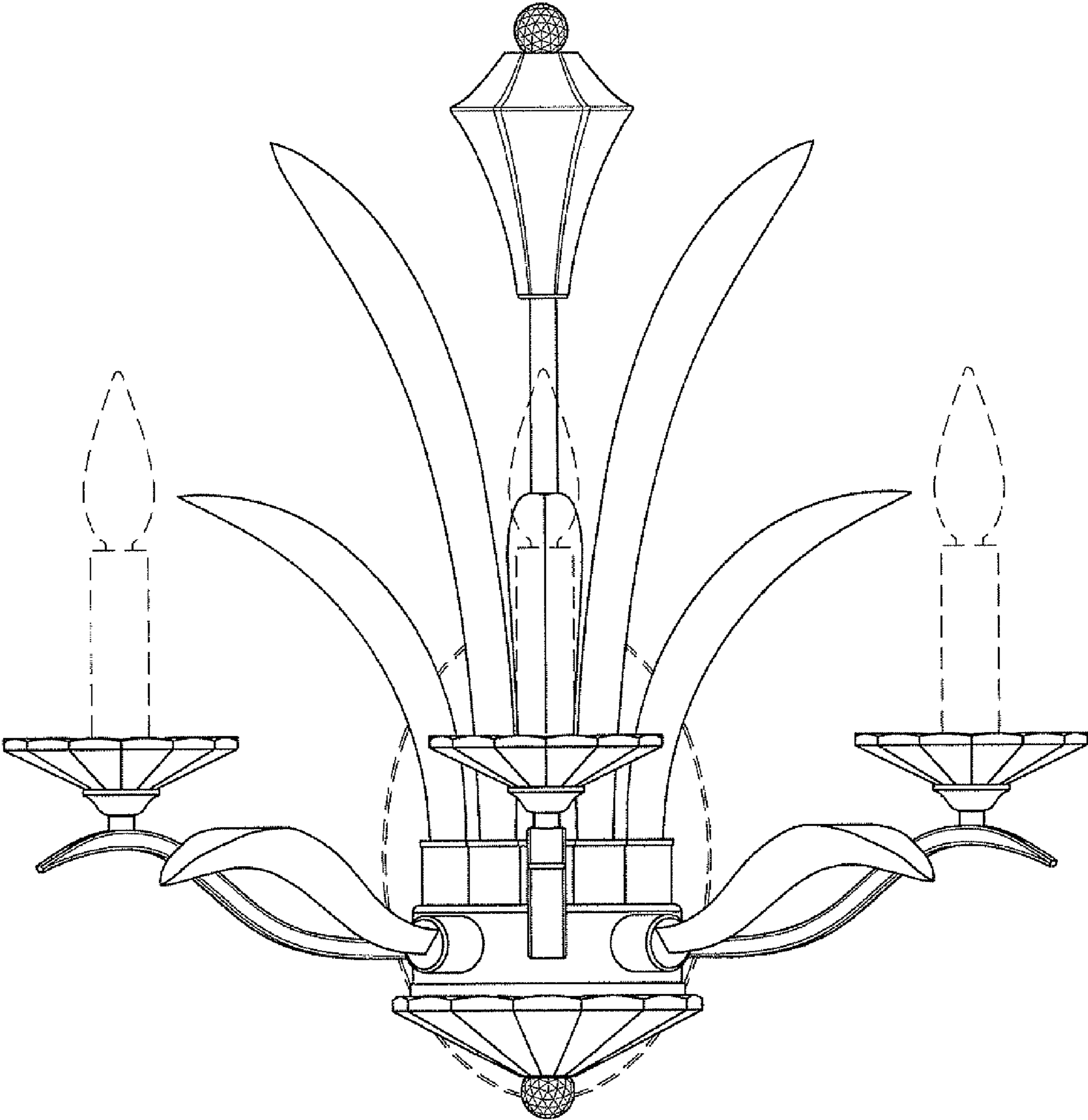


FIG. 4

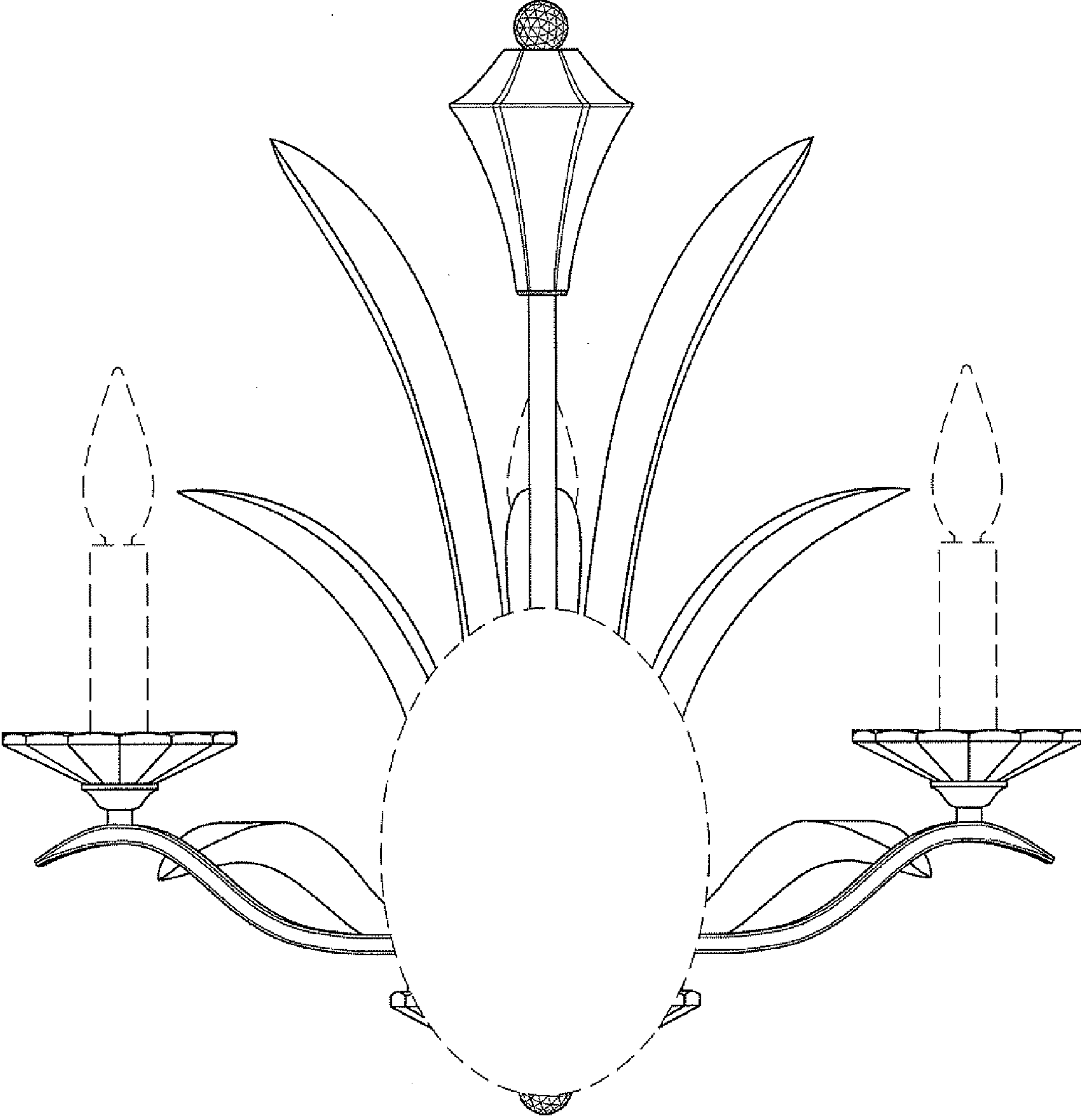


FIG. 5

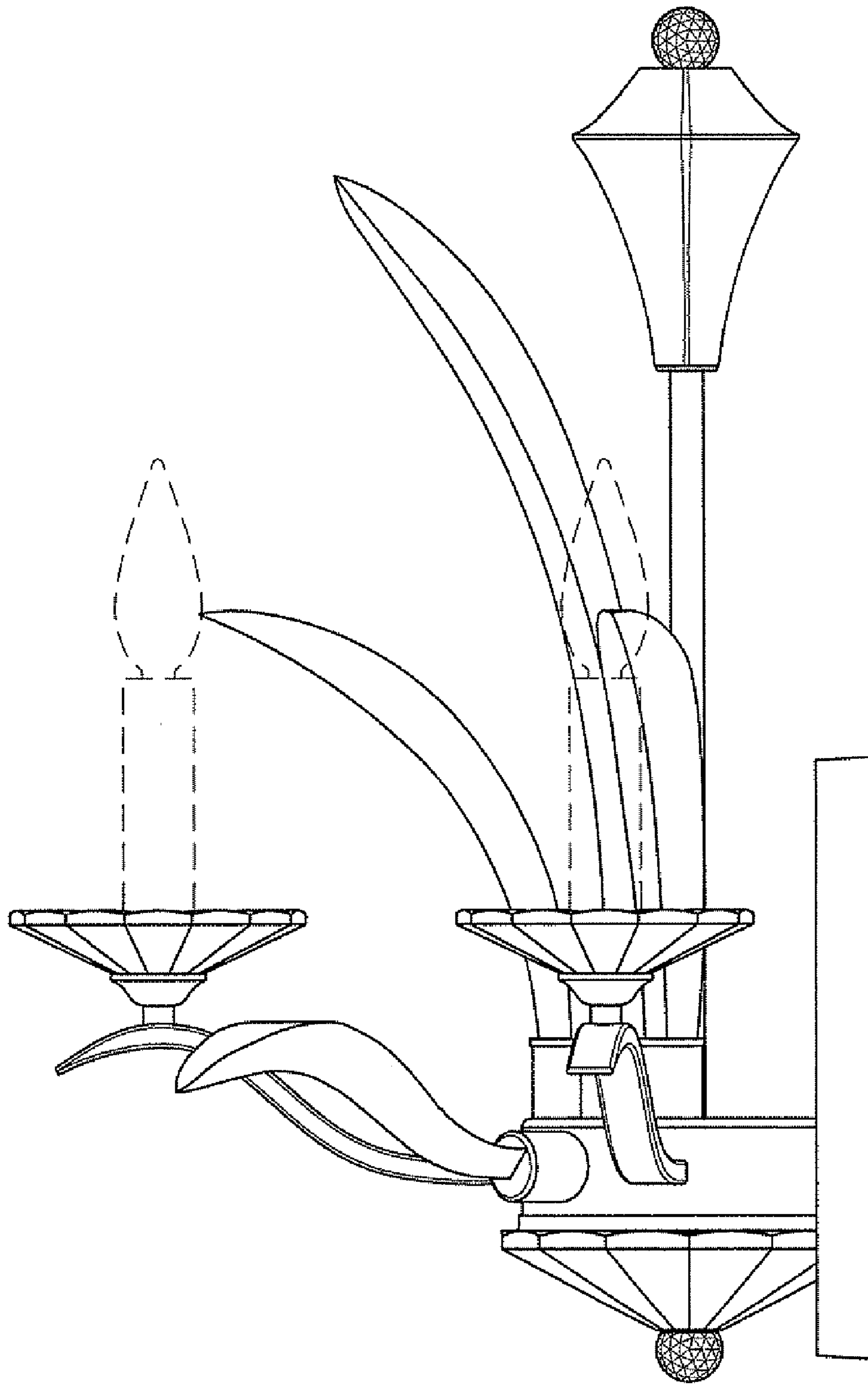


FIG. 6

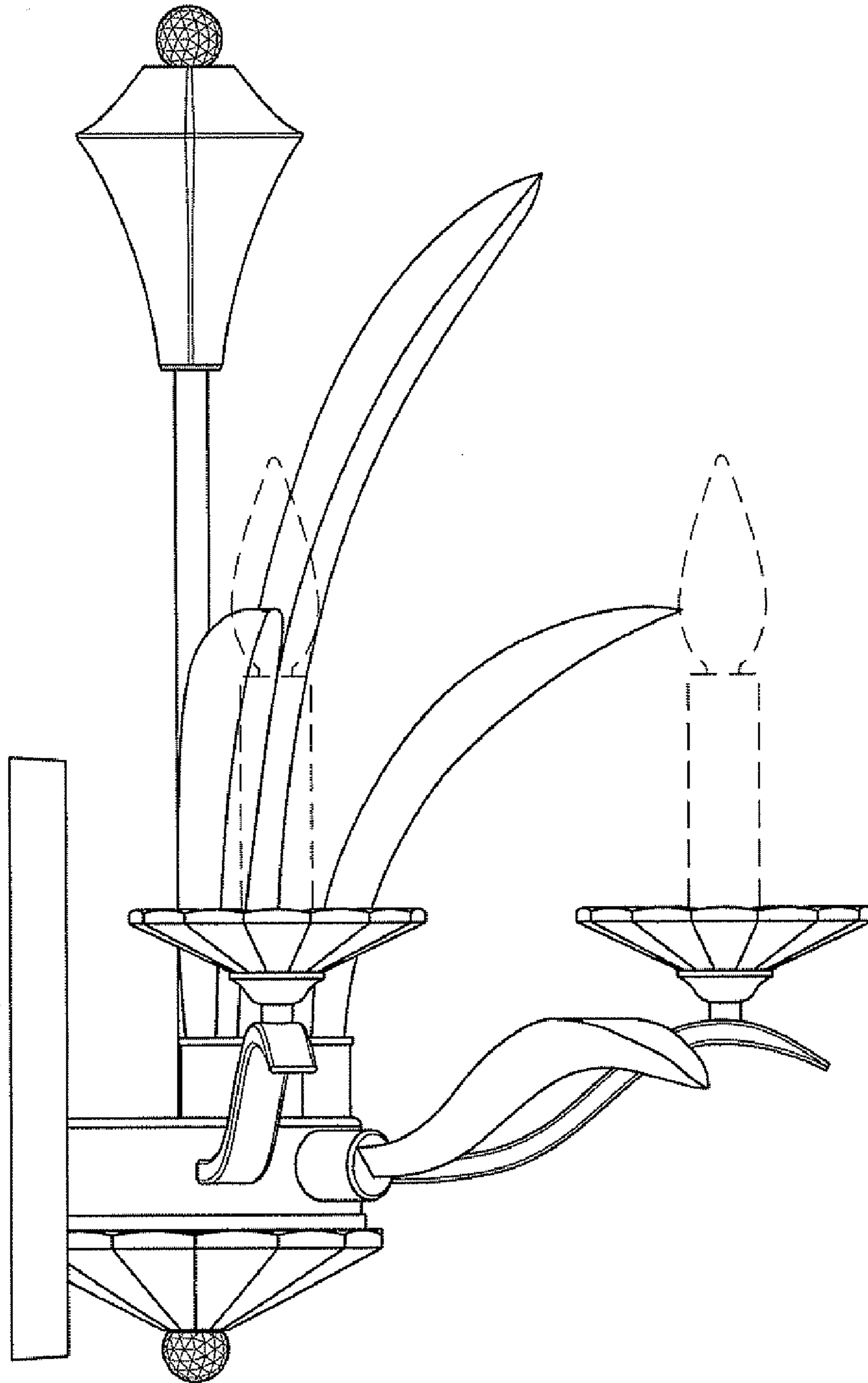


FIG. 7