



US00D629139S

(12) **United States Design Patent**
Cai

(10) **Patent No.:** **US D629,139 S**

(45) **Date of Patent:** **** Dec. 14, 2010**

(54) **LED DECK LIGHT**

(76) **Inventor:** **Yimei Cai**, Ningbo Yinzhou Self
Photoelectron Technology Co., Ltd.,
Qianzhou Village, Zhonggongmiao
Town, Yinzhou Center Area, Ningbo
City, Zhejiang Province, 315194 (CN)

(**) **Term:** **14 Years**

(21) **Appl. No.:** **29/316,983**

(22) **Filed:** **Nov. 16, 2009**

(51) **LOC (9) Cl.** **26-05**

(52) **U.S. Cl.** **D26/72**

(58) **Field of Classification Search** D26/24,
D26/27-36, 61-66, 72, 76, 85; 362/125,
362/220-225, 217.02, 217.08, 217.09, 240,
362/249.11, 249.02, 249.12, 471, 815.45,
362/540-549, 293, 362, 800; D10/114
See application file for complete search history.

(56) **References Cited**

U.S. PATENT DOCUMENTS

5,437,504	A *	8/1995	Halvatzis	362/125
D380,058	S *	6/1997	Kane et al.	D26/27
D442,106	S *	5/2001	Stein et al.	D10/114
6,789,930	B2 *	9/2004	Pederson	362/545
D545,230	S *	6/2007	Jalala	D10/114
D581,080	S *	11/2008	Mier-Langner	D26/72

D585,318	S *	1/2009	Jalala	D10/114
D603,545	S *	11/2009	Levine	D26/63
D614,986	S *	5/2010	Shin	D10/114
D617,229	S *	6/2010	Shin	D10/114
2008/0080203	A1 *	4/2008	Neufeglise	362/540

* cited by examiner

Primary Examiner—Mitchell I Siegel

(74) *Attorney, Agent, or Firm*—Raymond Y. Chan; David and Raymond Patent Firm

(57) **CLAIM**

The ornamental design for a LED deck light, as shown and described.

DESCRIPTION

FIG. 1 is a perspective view of LED deck light showing my new design.

FIG. 2 is a front view thereof.

FIG. 3 is a rear view thereof.

FIG. 4 is a right end view thereof.

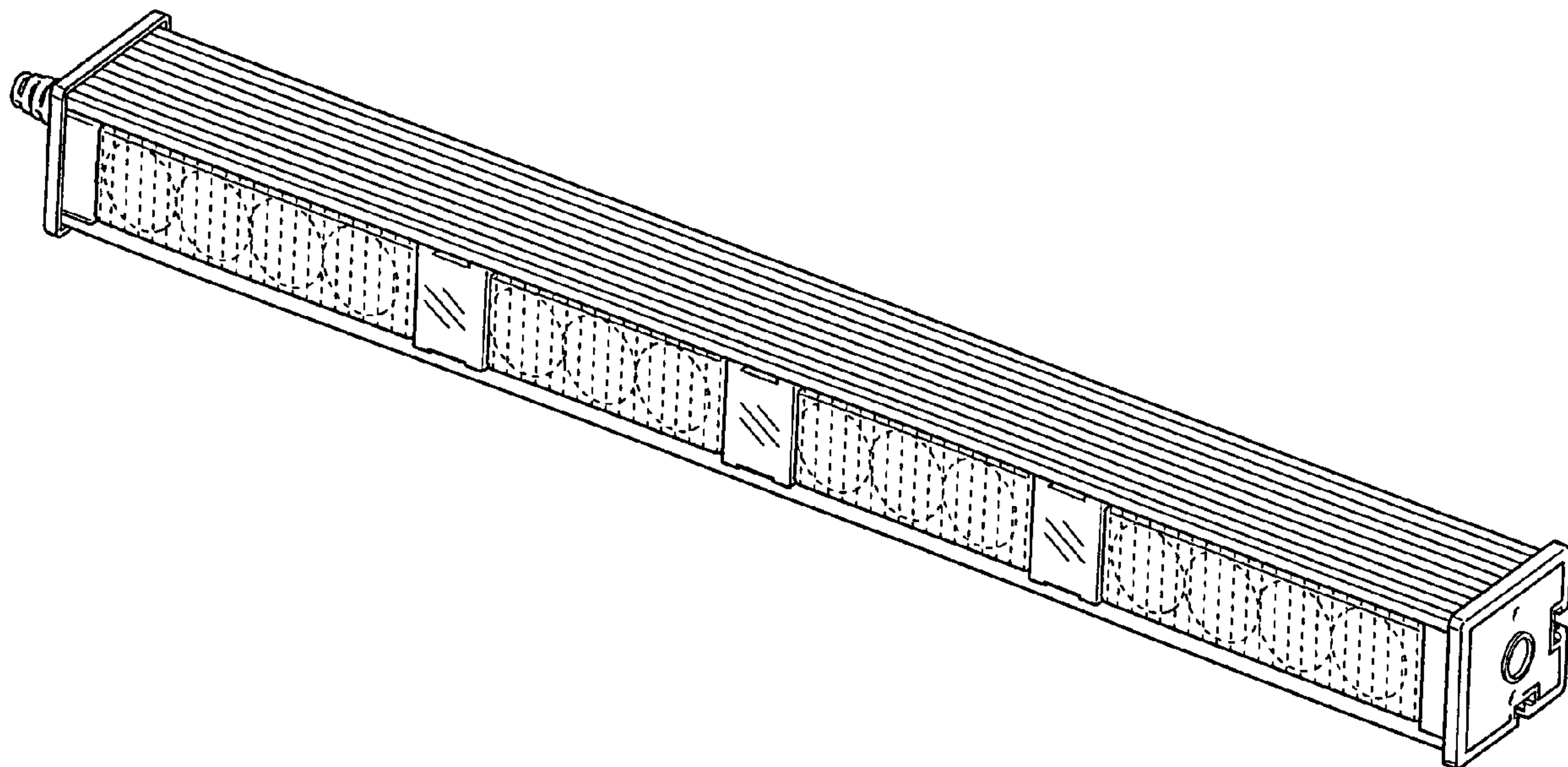
FIG. 5 is a left end view thereof.

FIG. 6 is a top view thereof; and,

FIG. 7 is a bottom view thereof.

The broken line showing is included for the purpose of illustrating and forms no part of the claimed design.

1 Claim, 7 Drawing Sheets



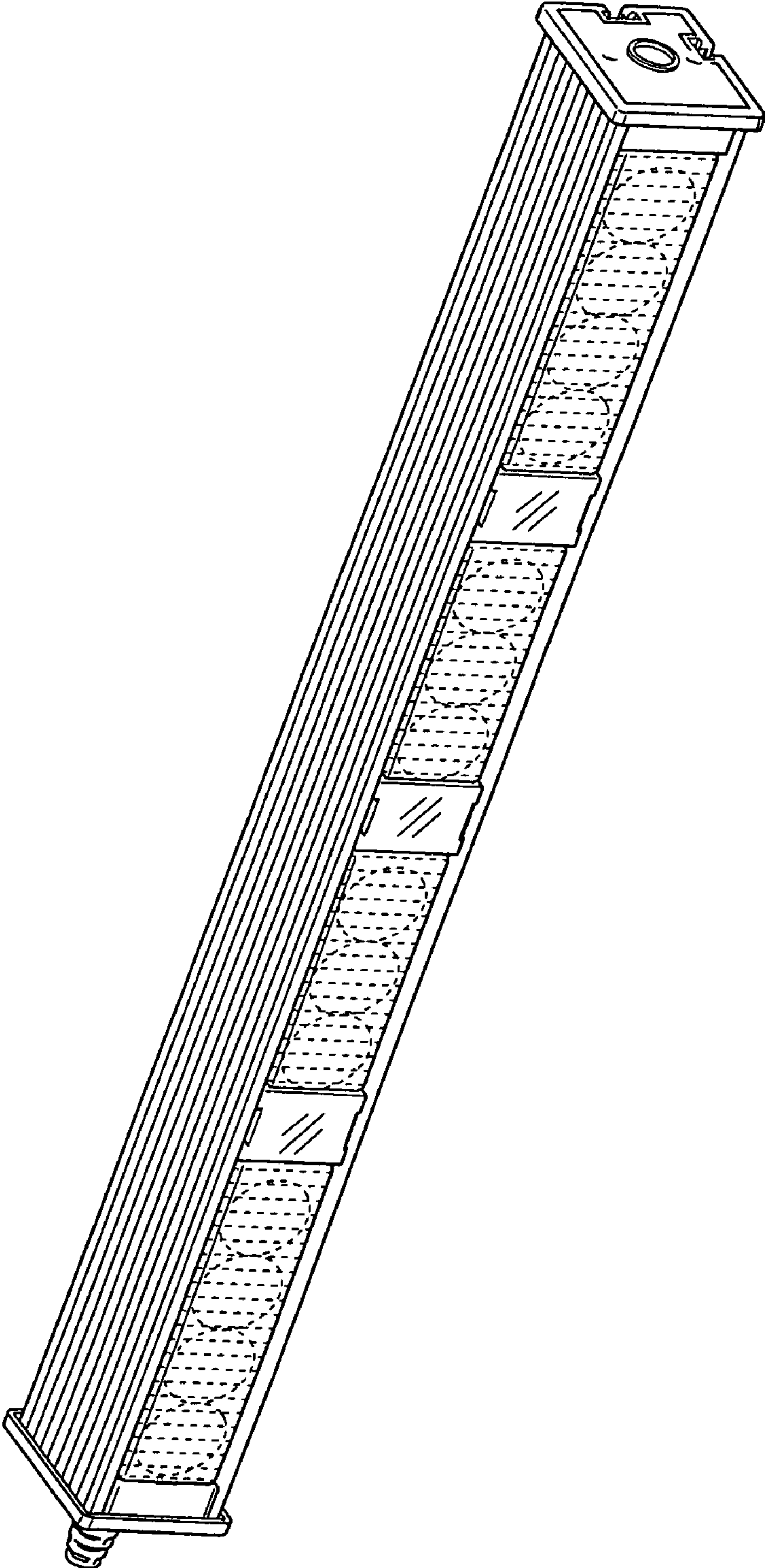


FIG.1

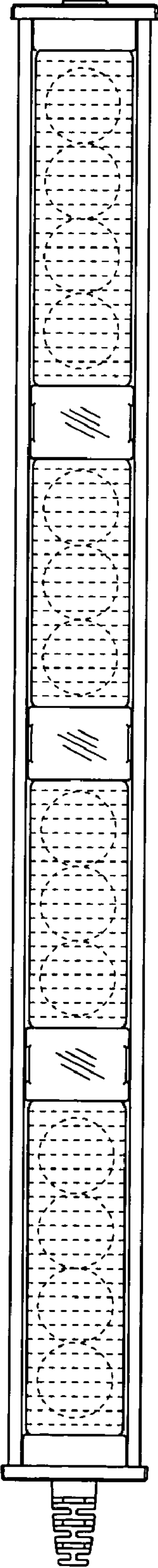


FIG.2

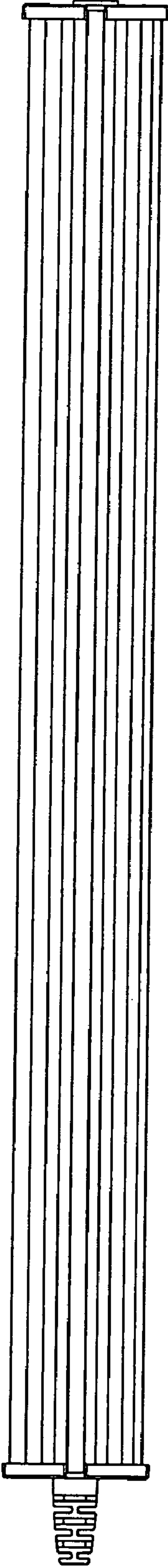


FIG.3

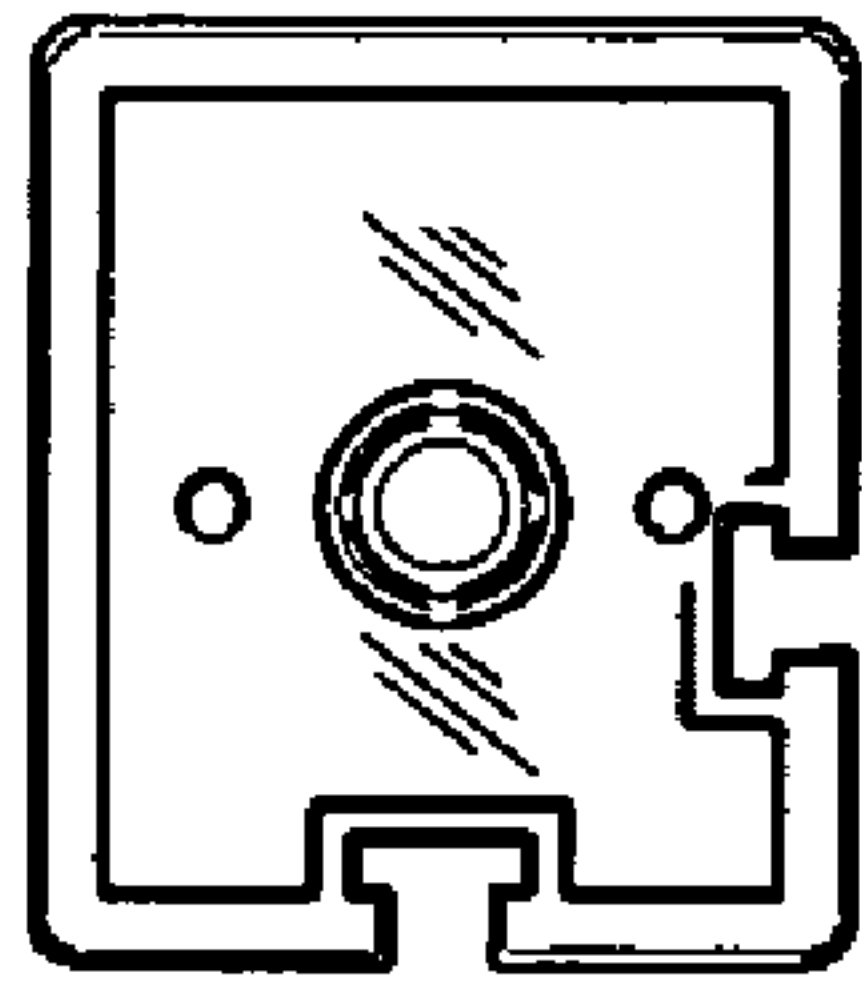


FIG. 4

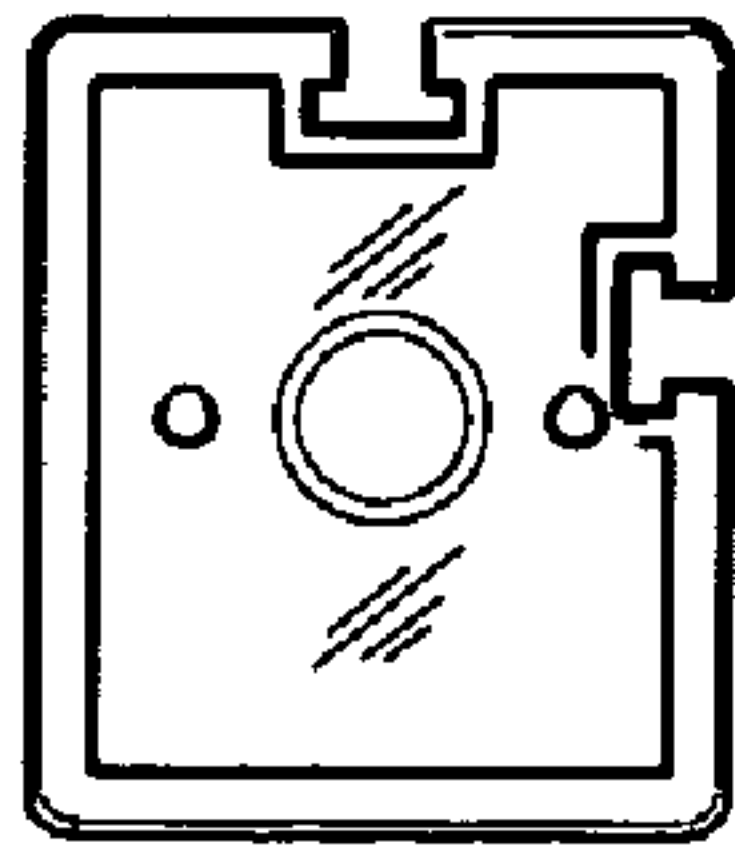


FIG. 5

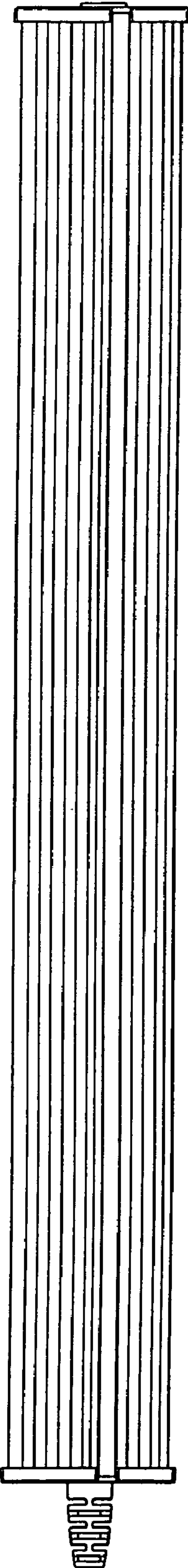


FIG.6

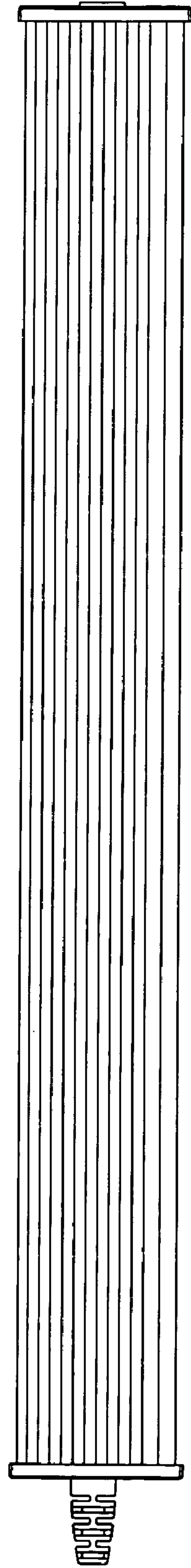


FIG. 7