



US00D629134S

(12) **United States Design Patent**
Chen

(10) **Patent No.:** **US D629,134 S**

(45) **Date of Patent:** **** Dec. 14, 2010**

(54) **SOLAR LAMP WITH PETAL SHADE**

(75) Inventor: **Chi Gon Chen**, Guang Zhou (CN)

(73) Assignee: **International Development LLC**,
Roanoke, TX (US)

(**) Term: **14 Years**

(21) Appl. No.: **29/362,836**

(22) Filed: **Jun. 1, 2010**

(51) **LOC (9) Cl.** **26-05**

(52) **U.S. Cl.** **D26/68**

(58) **Field of Classification Search** D26/67-71,
D26/73, 85, 101, 125, 128; 362/147, 152,
362/153, 153.1, 183, 185, 431, 653

See application file for complete search history.

(56) **References Cited**

U.S. PATENT DOCUMENTS

D29,368 S *	9/1898	MacIntire	D26/24
D76,001 S *	8/1928	Broch	D6/412
D149,729 S *	5/1948	Aronek	D26/101
D264,255 S *	5/1982	Stohl	D26/101
D372,325 S *	7/1996	Hackworth	D26/128
D439,692 S *	3/2001	Kung	D26/68
D441,478 S *	5/2001	Lindsay	D26/68

D443,376 S *	6/2001	Lindsay	D26/68
D459,824 S *	7/2002	Leen	D26/73
D469,908 S *	2/2003	Chen	D26/67
D482,814 S *	11/2003	Pu	D26/67
D615,686 S *	5/2010	Chen	D26/68

* cited by examiner

Primary Examiner—Clare E Heflin

(74) *Attorney, Agent, or Firm*—David W. Carstens; Carstens & Cahoon, LLP

(57) **CLAIM**

The ornamental design for a solar lamp with petal shade, as shown and described.

DESCRIPTION

FIG. 1 is a perspective view of the solar lamp with petal shade of the present invention;

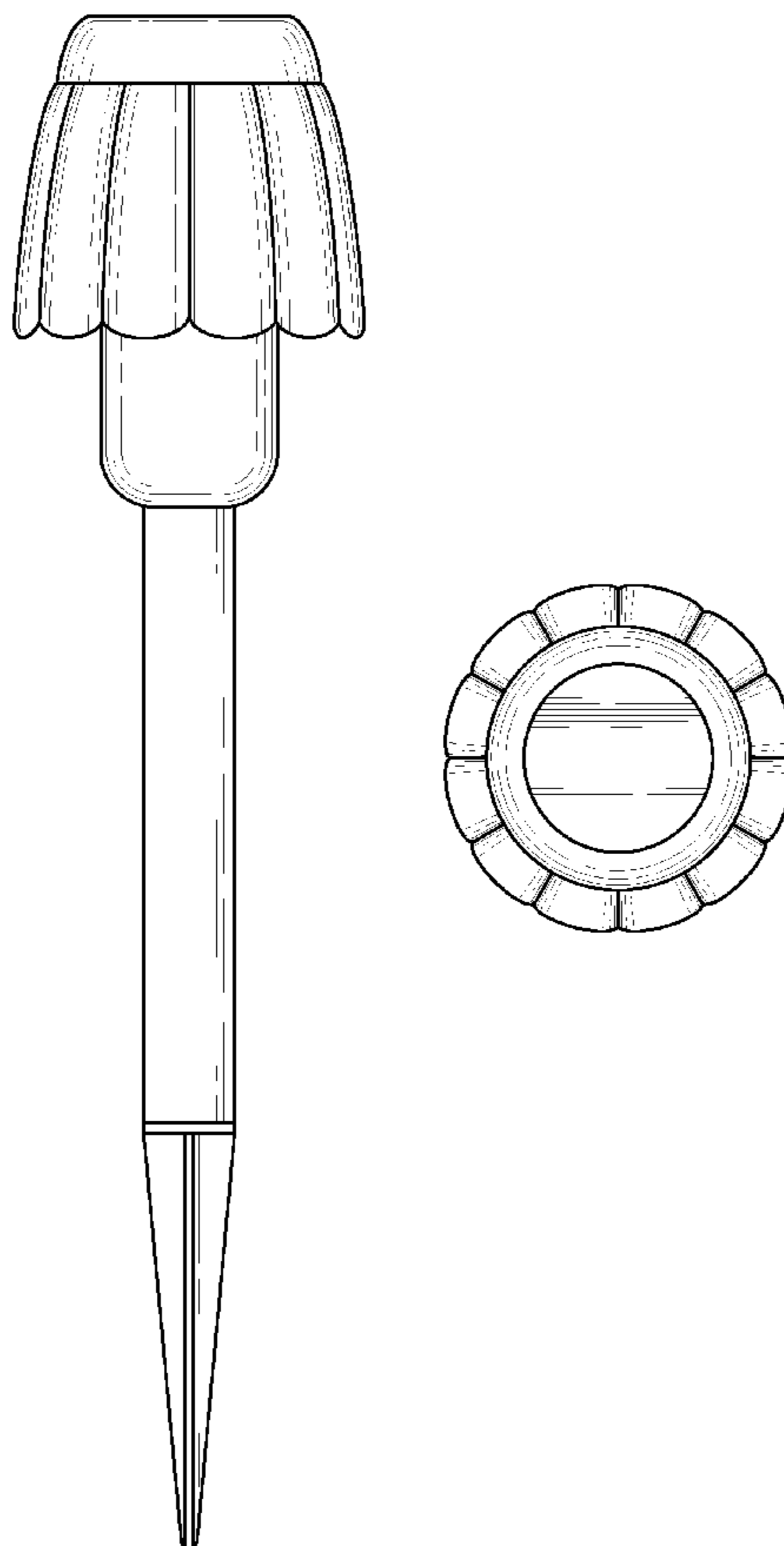
FIG. 2 is a front elevation view thereof; the rear elevation view being a mirror image thereof;

FIG. 3 is a left side elevation view thereof; the right side elevation view being a mirror image thereof;

FIG. 4 is a top plan view thereof; and,

FIG. 5 is a bottom plan view thereof.

1 Claim, 2 Drawing Sheets



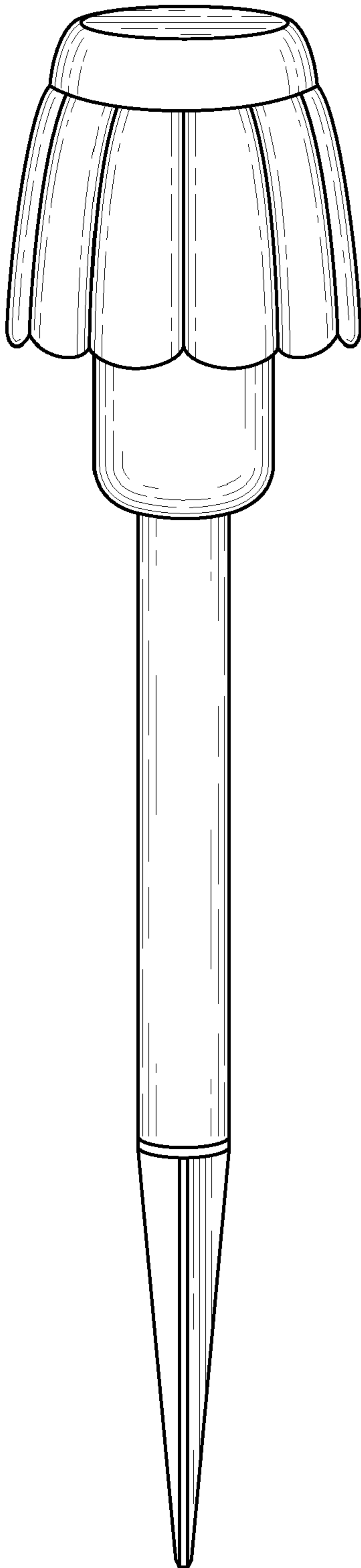


FIG. 1

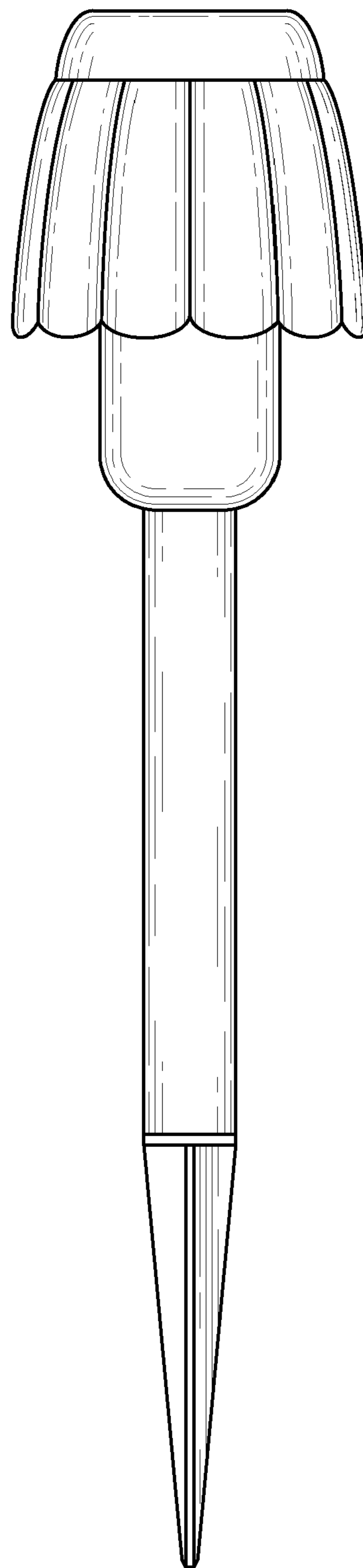


FIG. 2

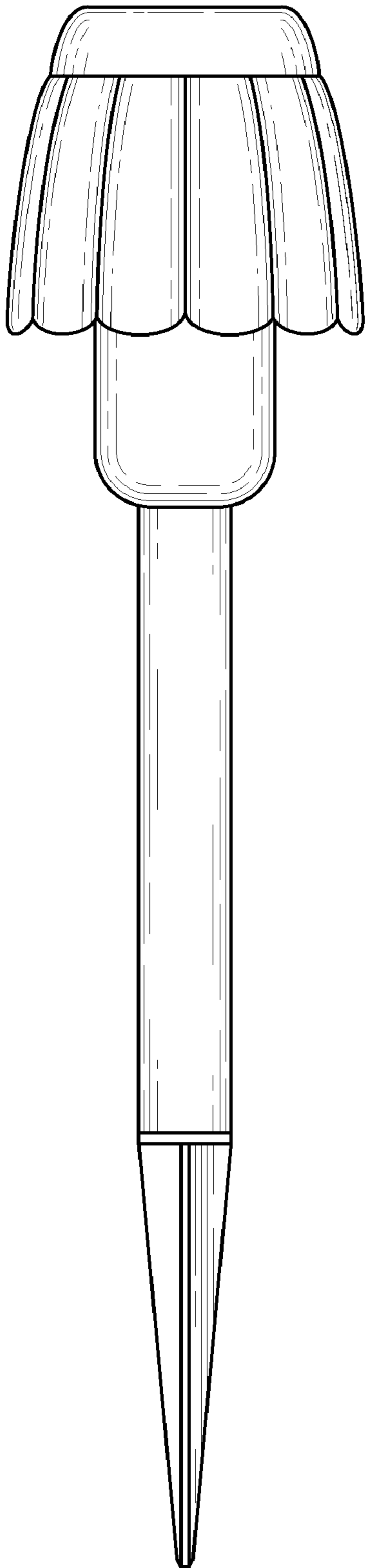


FIG. 3

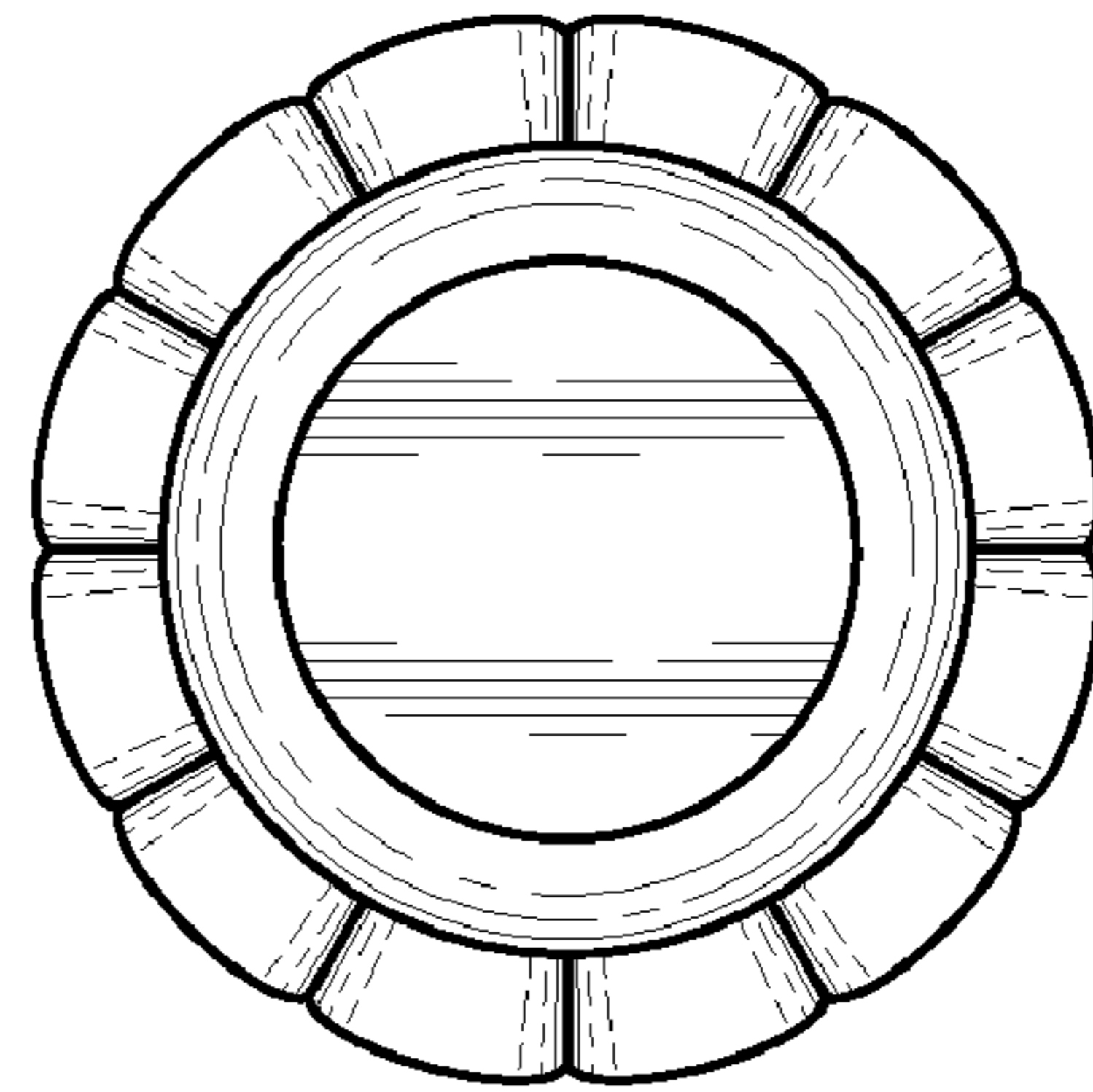


FIG. 4

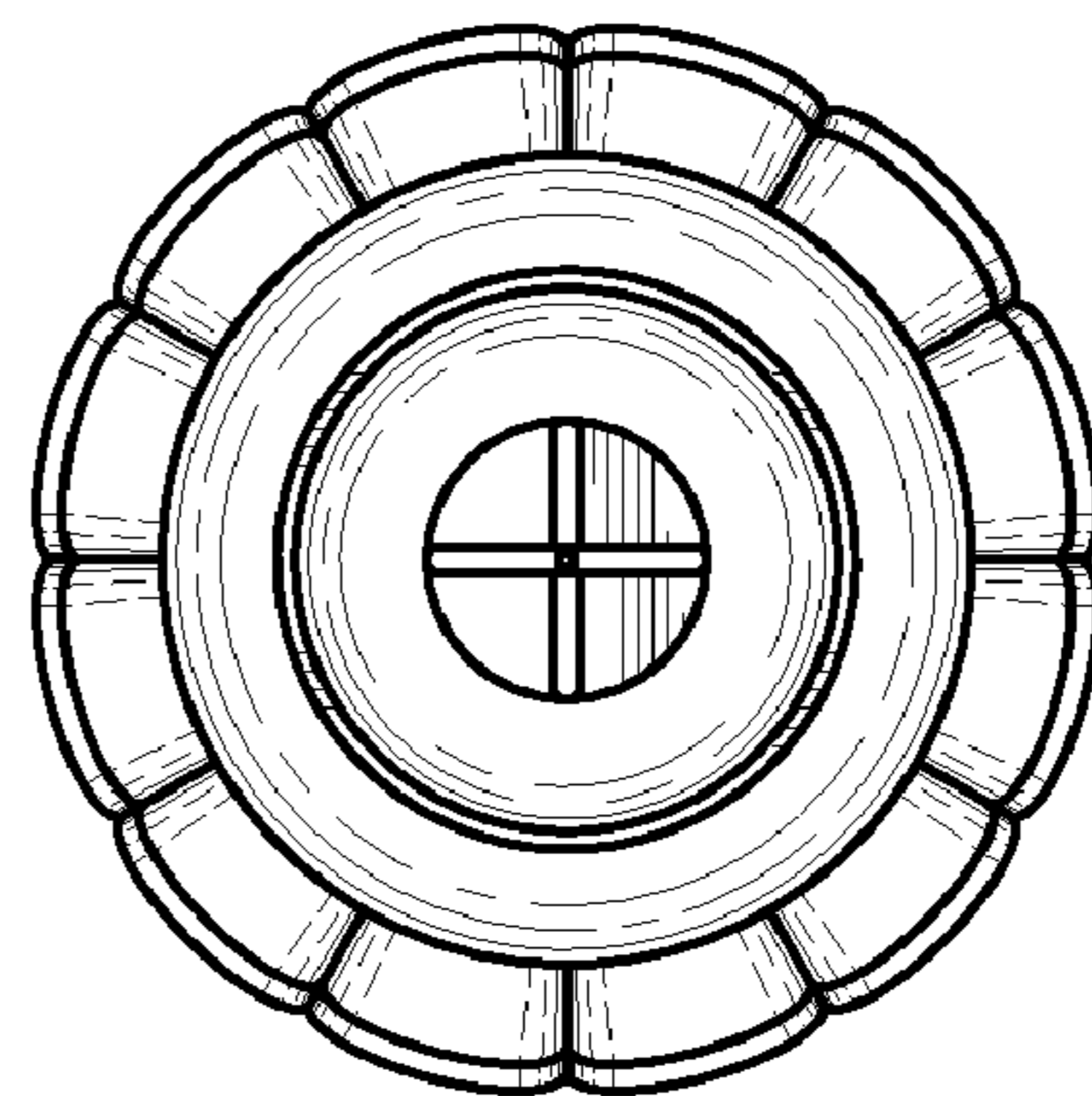


FIG. 5