



US00D629132S

(12) **United States Design Patent**
Huang

(10) **Patent No.:** **US D629,132 S**

(45) **Date of Patent:** **** Dec. 14, 2010**

(54) **WORK LAMP**

(76) Inventor: **Yen-Hung Huang**, No. 113, Jingmei Rd., Taiping City, Taichung Hsien (TW) 41146

(**) Term: **14 Years**

(21) Appl. No.: **29/347,662**

(22) Filed: **Apr. 6, 2010**

(51) **LOC (9) Cl.** **26-05**

(52) **U.S. Cl.** **D26/62**

(58) **Field of Classification Search** D26/61-66, D26/60, 51, 56, 103; D16/135, 136; 359/738, 359/740, 800-802, 813, 822, 809; 362/253, 362/269, 270, 274, 275, 277, 278, 282, 283, 362/285, 287, 288, 427, 413, 414, 280, 431, 362/90, 271, 273

See application file for complete search history.

(56) **References Cited**

U.S. PATENT DOCUMENTS

1,702,317	A *	2/1929	Rose	359/807
2,199,107	A *	4/1940	Kibbe	359/801
4,084,216	A *	4/1978	Shonting	362/90
D303,977	S *	10/1989	Steel et al.	D16/135
4,944,574	A *	7/1990	Roote et al.	359/802
D382,577	S *	8/1997	Waldmann	D16/135

D417,682	S *	12/1999	Goff et al.	D16/136
D448,782	S *	10/2001	Wright	D16/135
D475,728	S *	6/2003	Friedman	D16/135
D506,018	S *	6/2005	Campo	D26/62
D507,372	S *	7/2005	Lu	D26/62
D520,543	S *	5/2006	Welch	D16/131

* cited by examiner

Primary Examiner—Susan M Lee

Assistant Examiner—Linda G. Brooks

(74) *Attorney, Agent, or Firm*—Bacon & Thomas, PLLC

(57) **CLAIM**

The ornamental design for a work lamp, as shown and described.

DESCRIPTION

FIG. 1 is a perspective view of a work lamp showing my new design;

FIG. 2 is a front elevational view thereof;

FIG. 3 is a rear elevational view thereof;

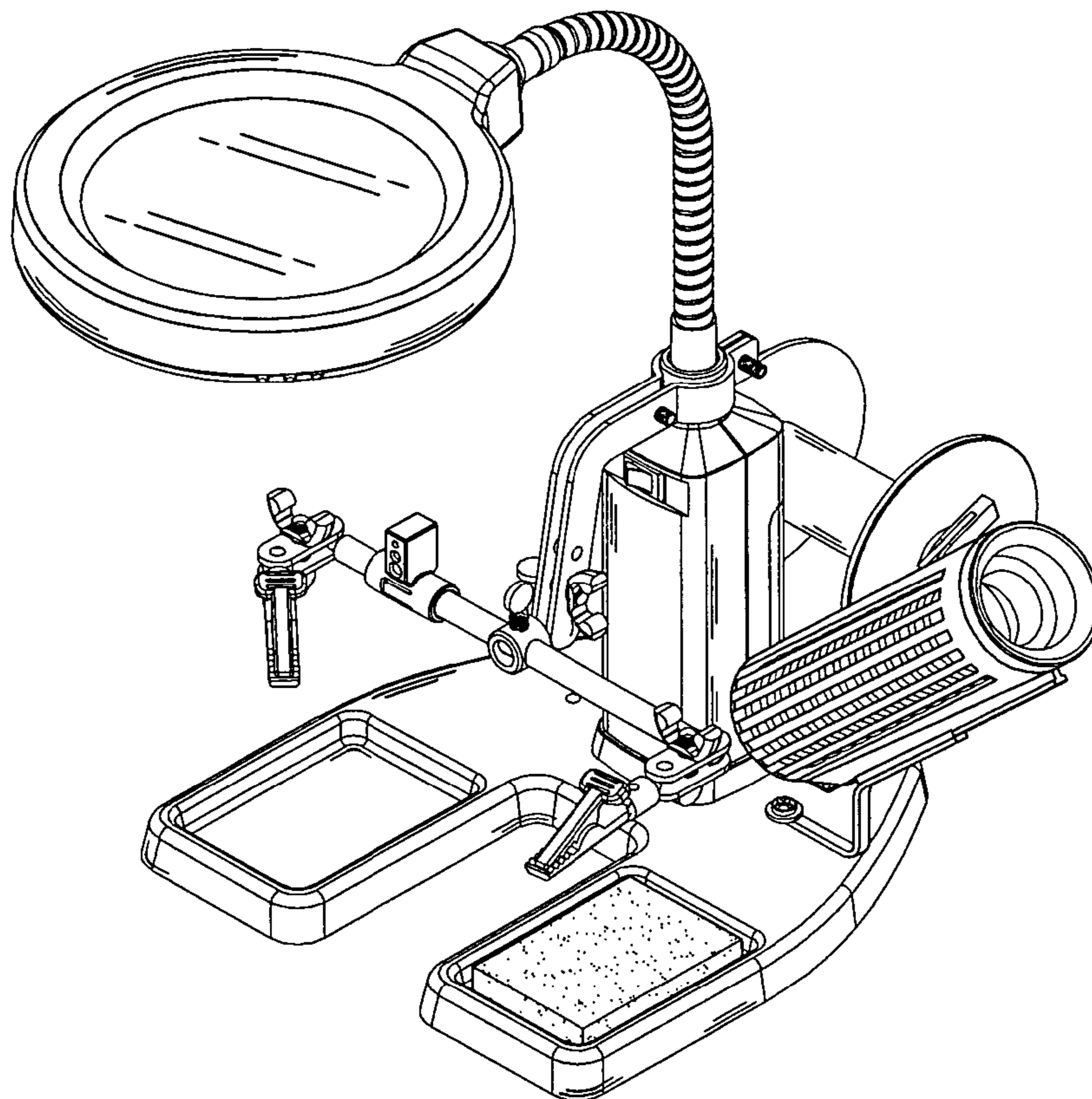
FIG. 4 is a left side elevational view thereof;

FIG. 5 is a right side elevational view thereof;

FIG. 6 is a top plan view thereof; and,

FIG. 7 is a bottom plan view thereof.

1 Claim, 7 Drawing Sheets



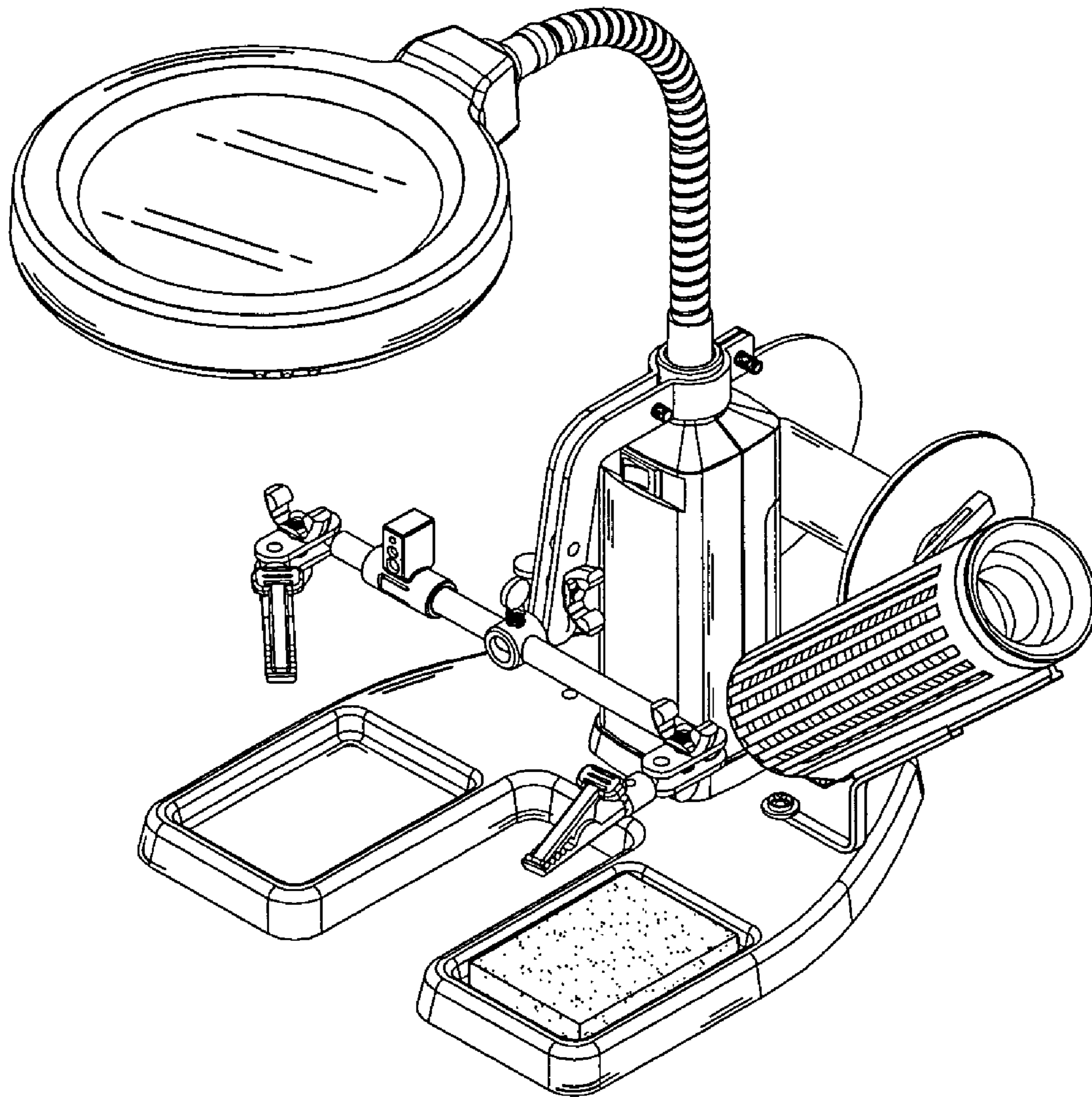


Fig. 1

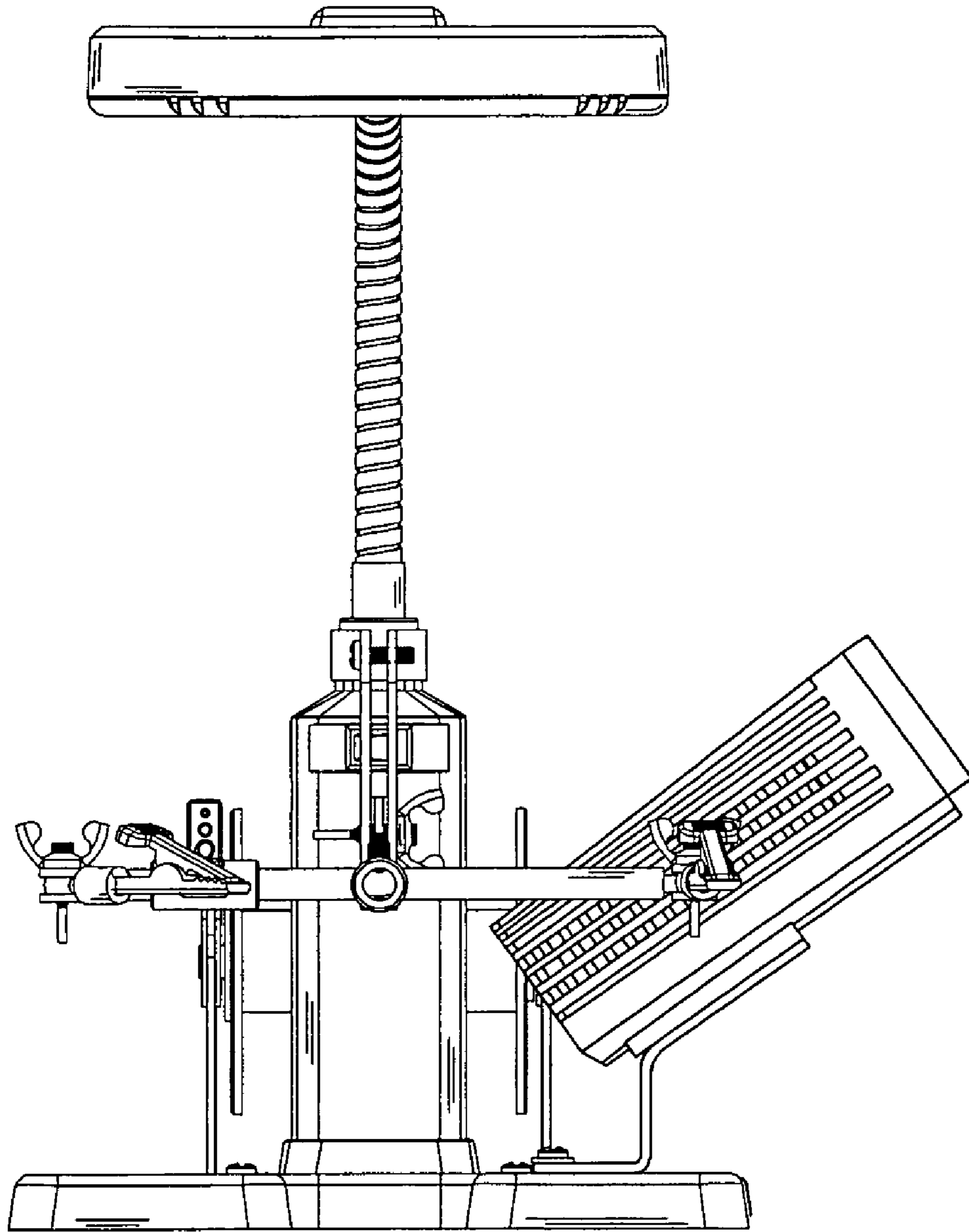


Fig. 2

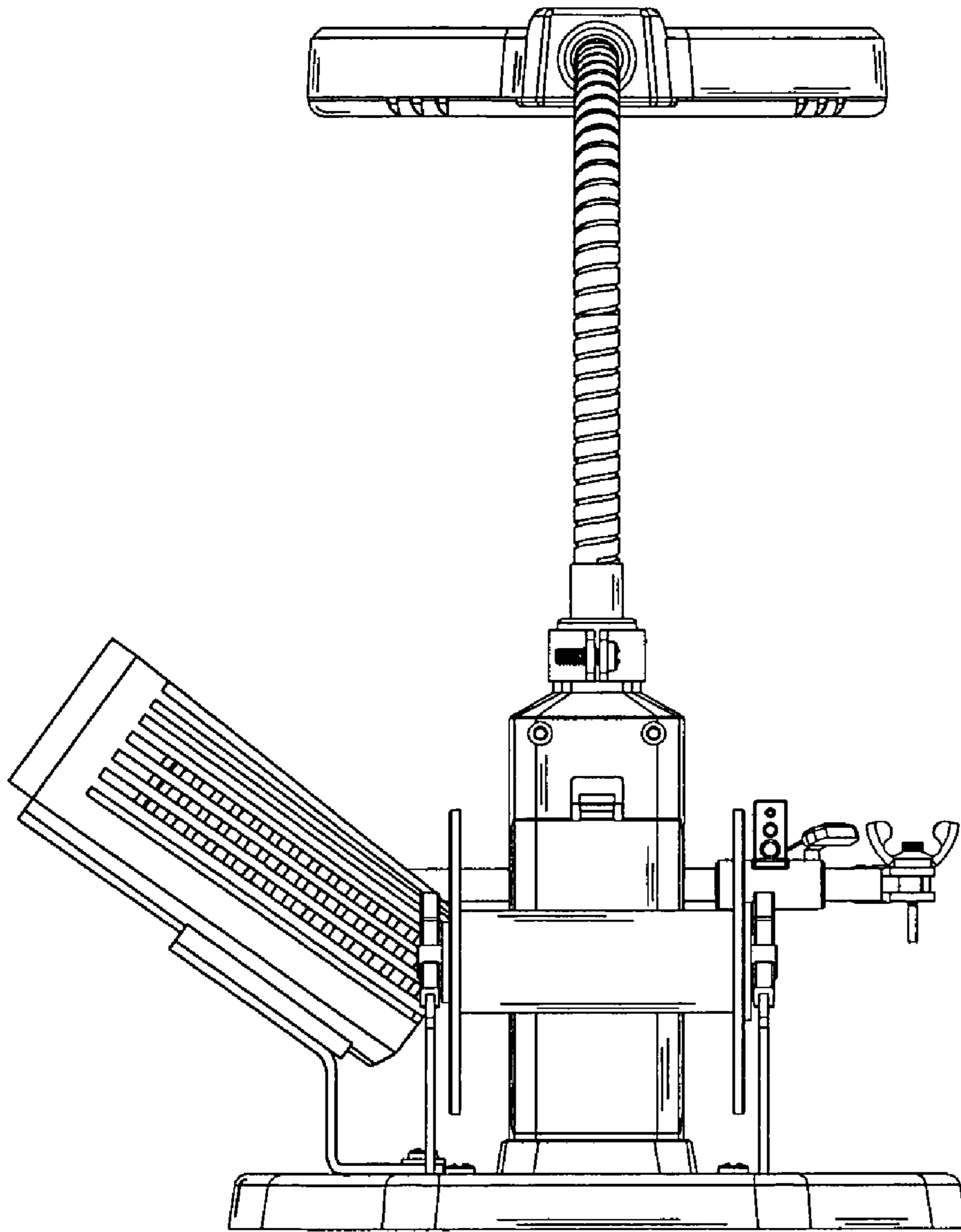


Fig. 3

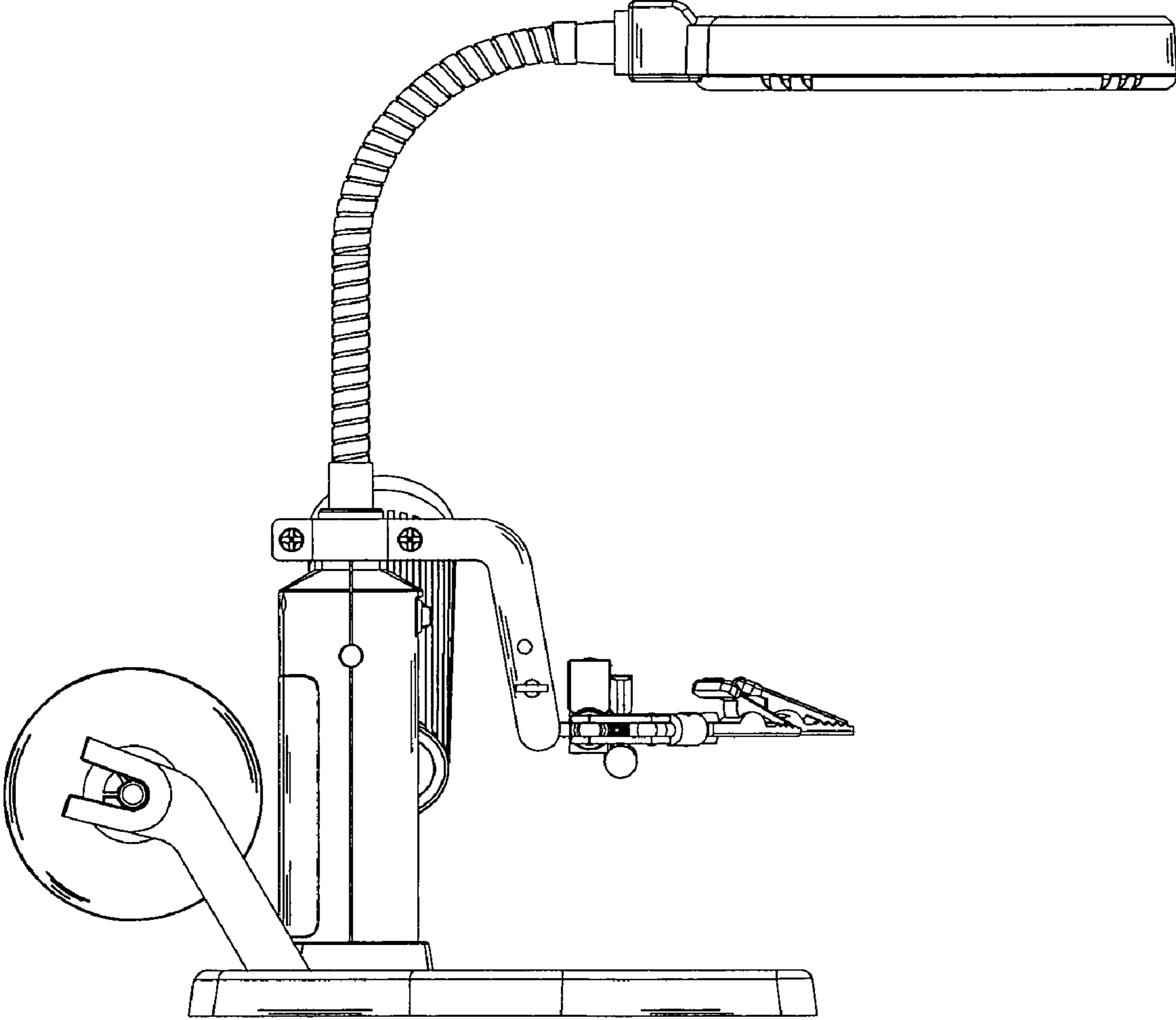


Fig. 4

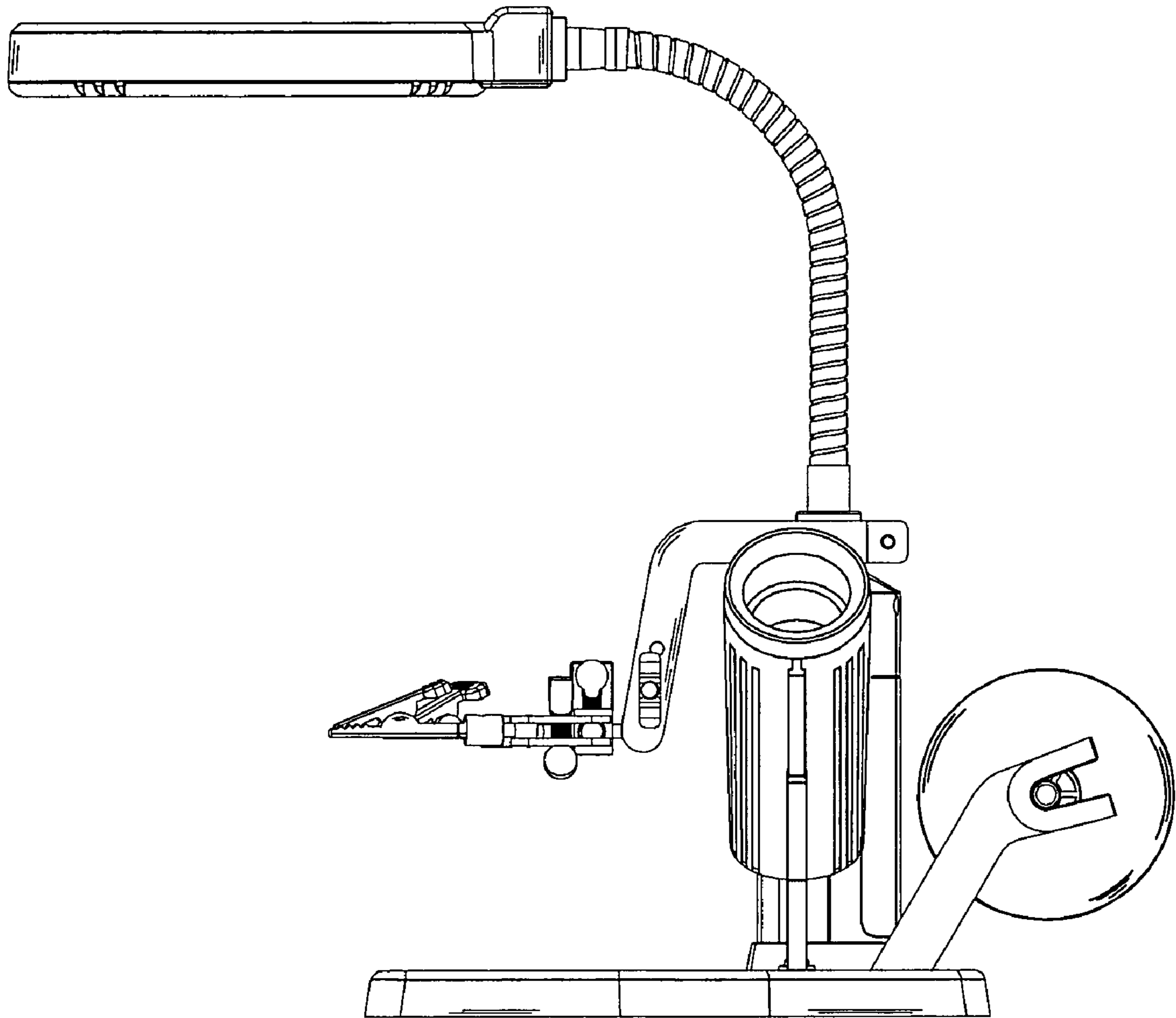


Fig. 5

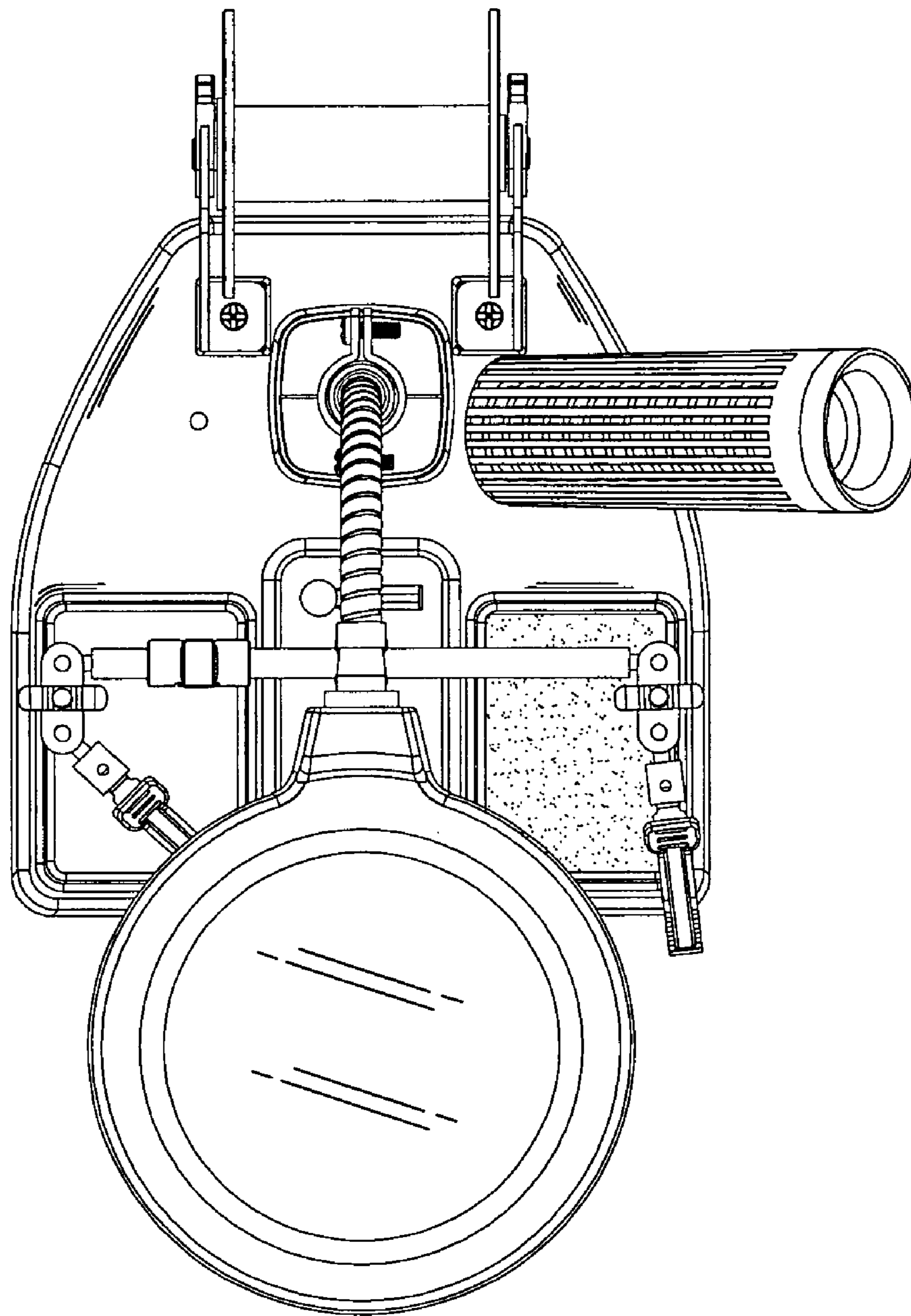


Fig. 6

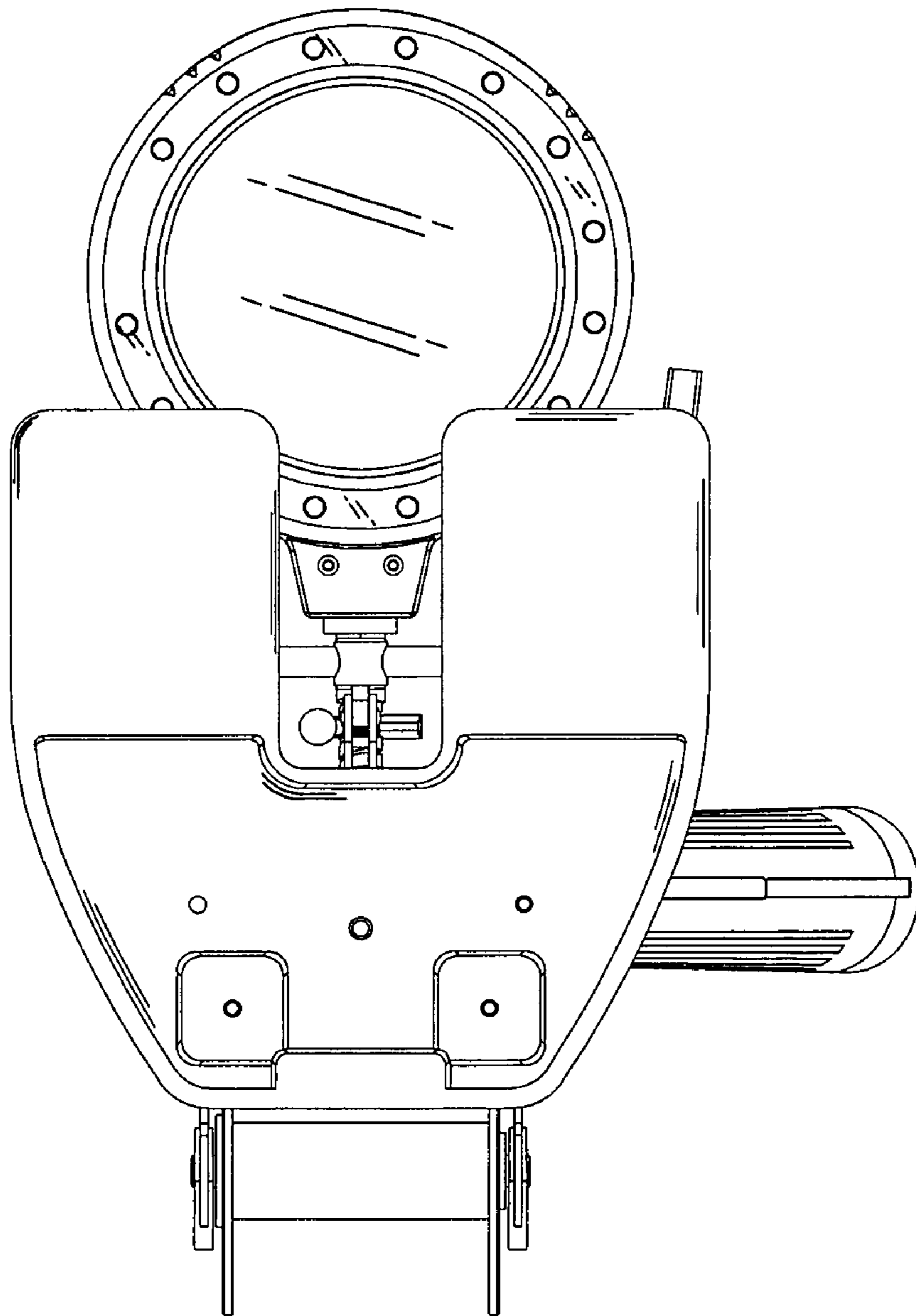


Fig. 7