



US00D629130S

(12) **United States Design Patent**  
**Murakami et al.**

(10) **Patent No.:** **US D629,130 S**  
(45) **Date of Patent:** **\*\* Dec. 14, 2010**

(54) **LIGHT-EMITTING DIODE LAMP**

(75) Inventors: **Yutaka Murakami**, Shiga (JP); **Kenji Takahashi**, Osaka (JP); **Nobuyuki Matsui**, Osaka (JP); **Tetsushi Tamura**, Osaka (JP); **Yasushige Tomiyoshi**, Osaka (JP)

(73) Assignee: **Panasonic Corporation**, Osaka (JP)

(\*\*) Term: **14 Years**

(21) Appl. No.: **29/363,030**

(22) Filed: **Jun. 3, 2010**

(30) **Foreign Application Priority Data**

Apr. 21, 2010 (JP) ..... 2010-009995

(51) **LOC (9) Cl.** ..... **26-04**

(52) **U.S. Cl.** ..... **D26/2**

(58) **Field of Classification Search** ..... D26/1-4;  
313/313, 315, 316, 317, 318, 493; 315/52,  
315/53, 56, 57, 58

See application file for complete search history.

(56) **References Cited**

**U.S. PATENT DOCUMENTS**

D471,294 S \* 3/2003 Bobel ..... D26/2  
D487,939 S \* 3/2004 Smith ..... D26/2  
D494,688 S \* 8/2004 Van de Ven et al. .... D26/2

D499,820 S \* 12/2004 Foo ..... D26/2  
D500,872 S \* 1/2005 Foo ..... D26/2  
D534,665 S \* 1/2007 Egawa et al. .... D26/2

**FOREIGN PATENT DOCUMENTS**

JP 2010-007599 3/2010

\* cited by examiner

*Primary Examiner*—Marcus A Jackson

(74) *Attorney, Agent, or Firm*—Brinks Hofer Gilson & Lione

(57) **CLAIM**

We claim the ornamental design for a light-emitting diode lamp, as shown and described.

**DESCRIPTION**

FIG. 1 is a front perspective view of a light-emitting diode lamp of the present invention;

FIG. 2 is a front view thereof;

FIG. 3 is a rear view thereof;

FIG. 4 is a first side view thereof;

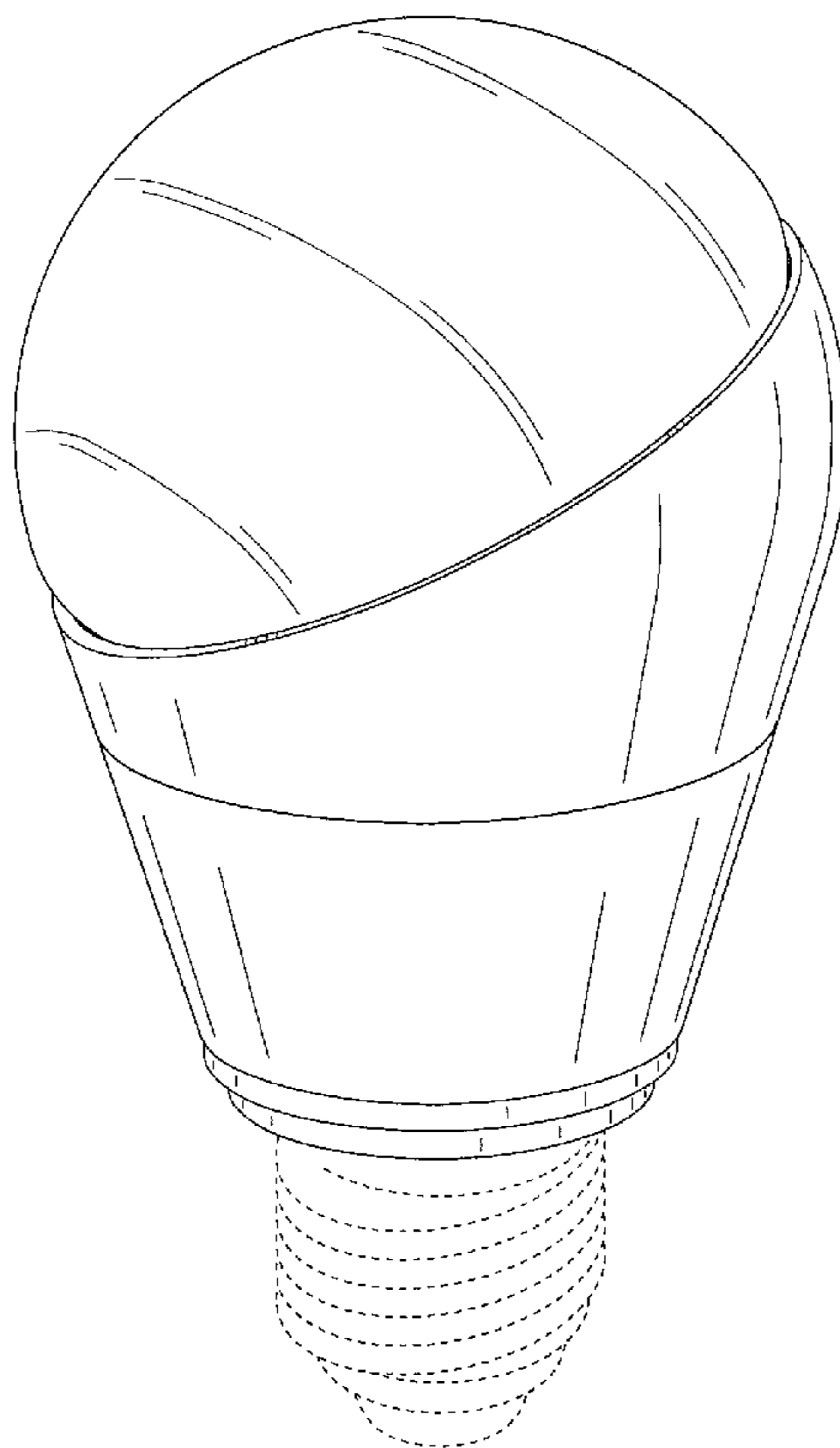
FIG. 5 is a second side view thereof;

FIG. 6 is a top view thereof; and,

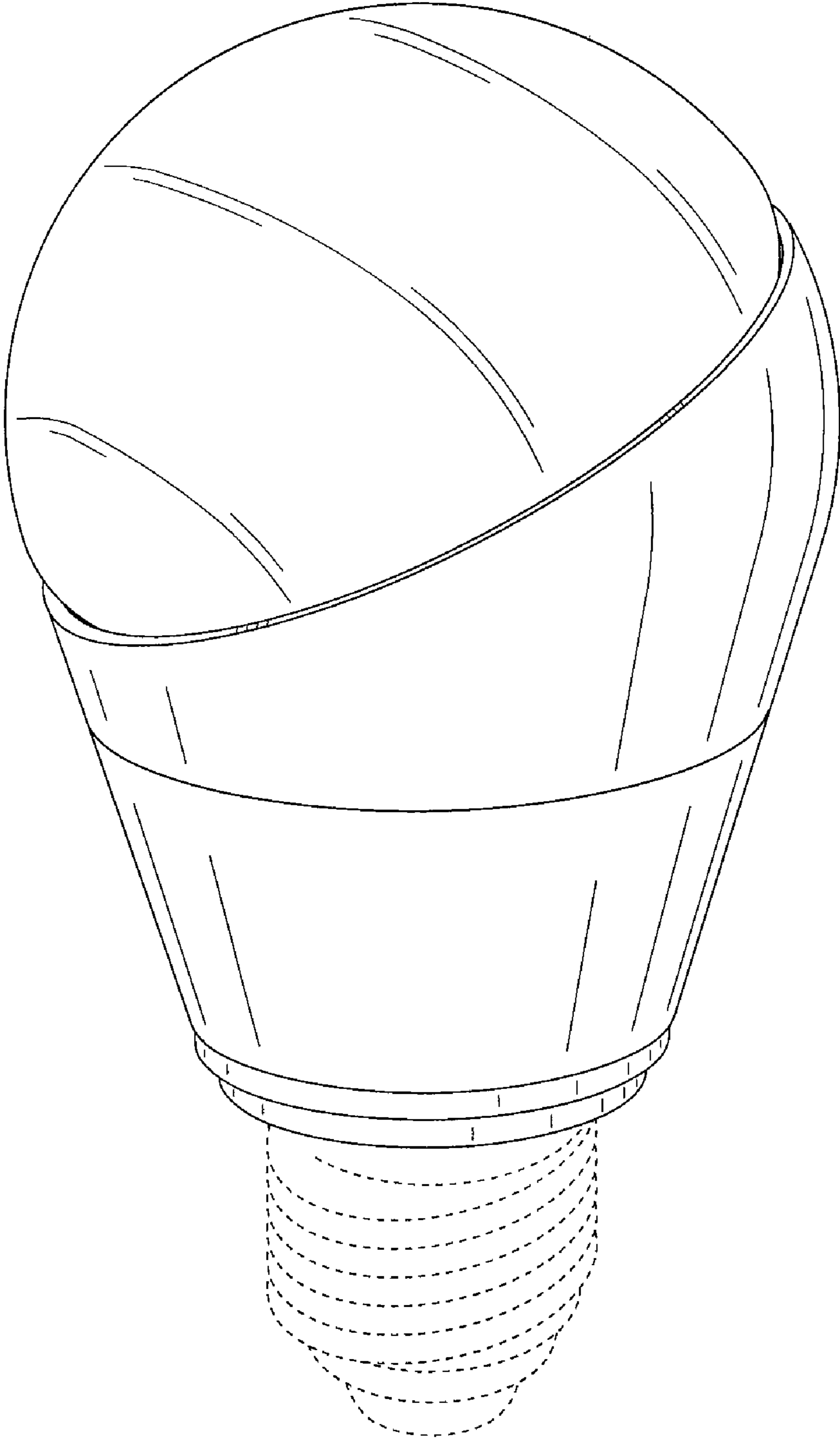
FIG. 7 is a bottom view thereof.

The broken line showing of light-emitting diode lamp is included for the purpose of illustrating environment and forms no part of the claimed design.

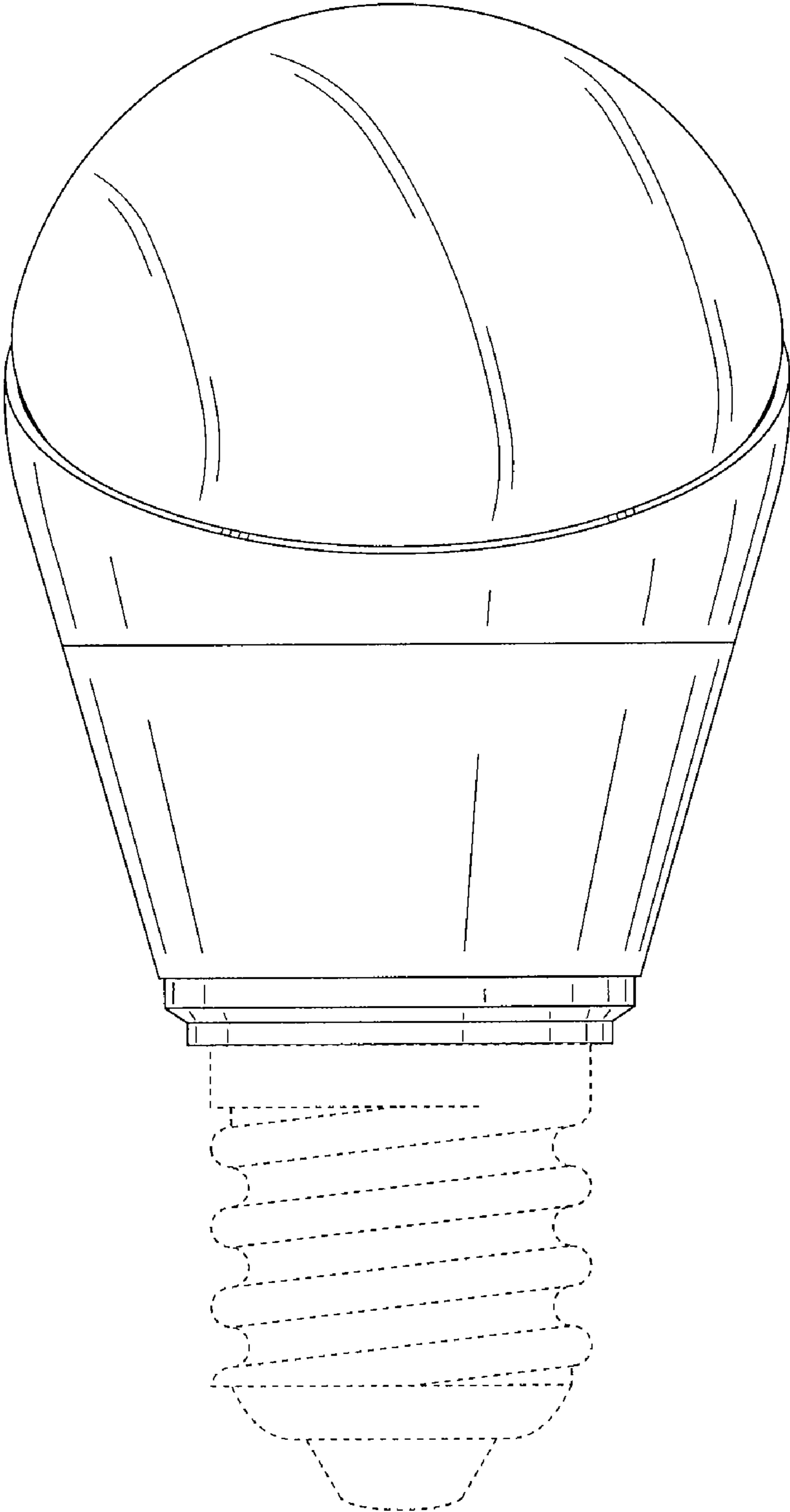
**1 Claim, 7 Drawing Sheets**



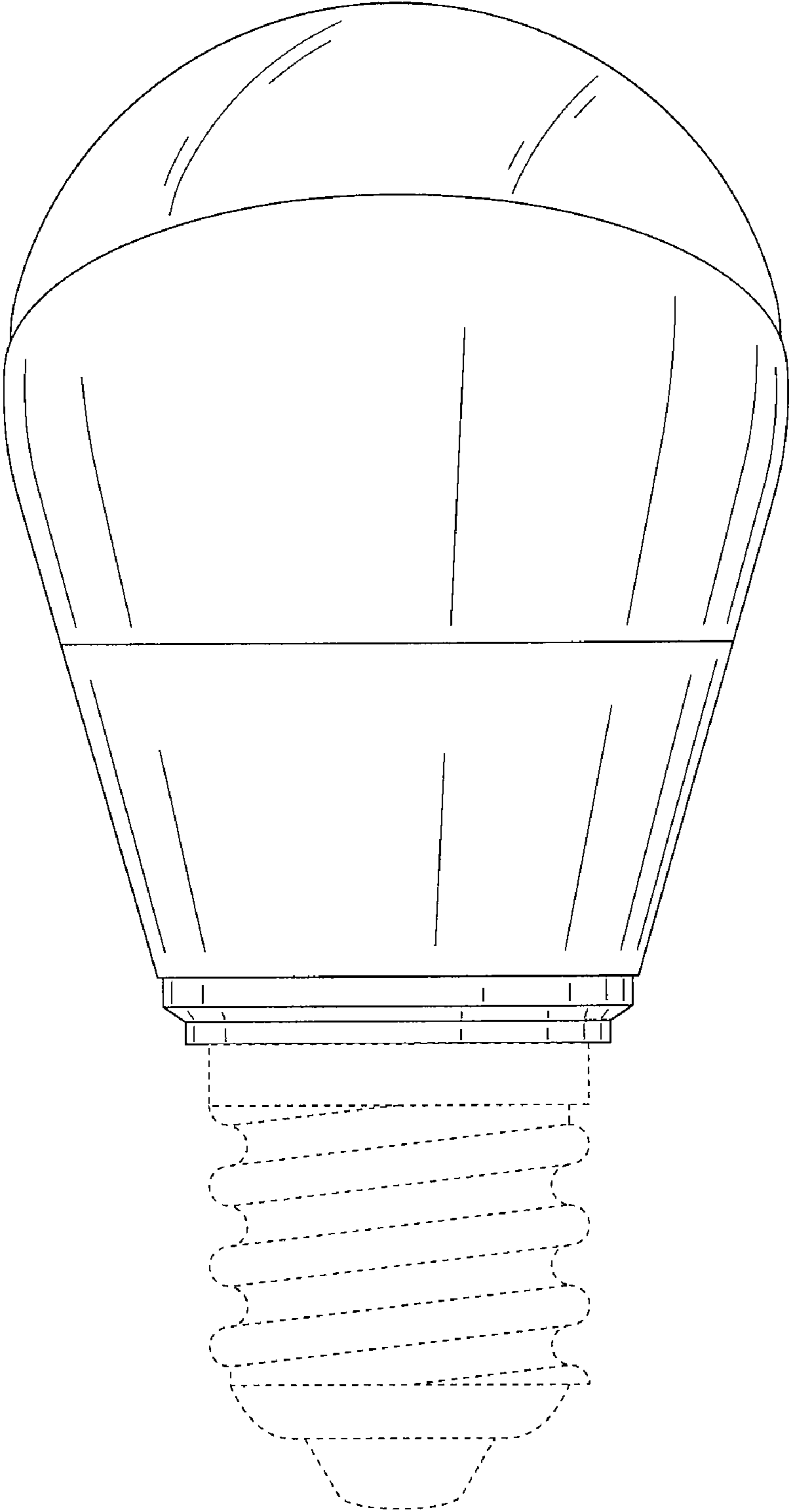
**FIG.1**



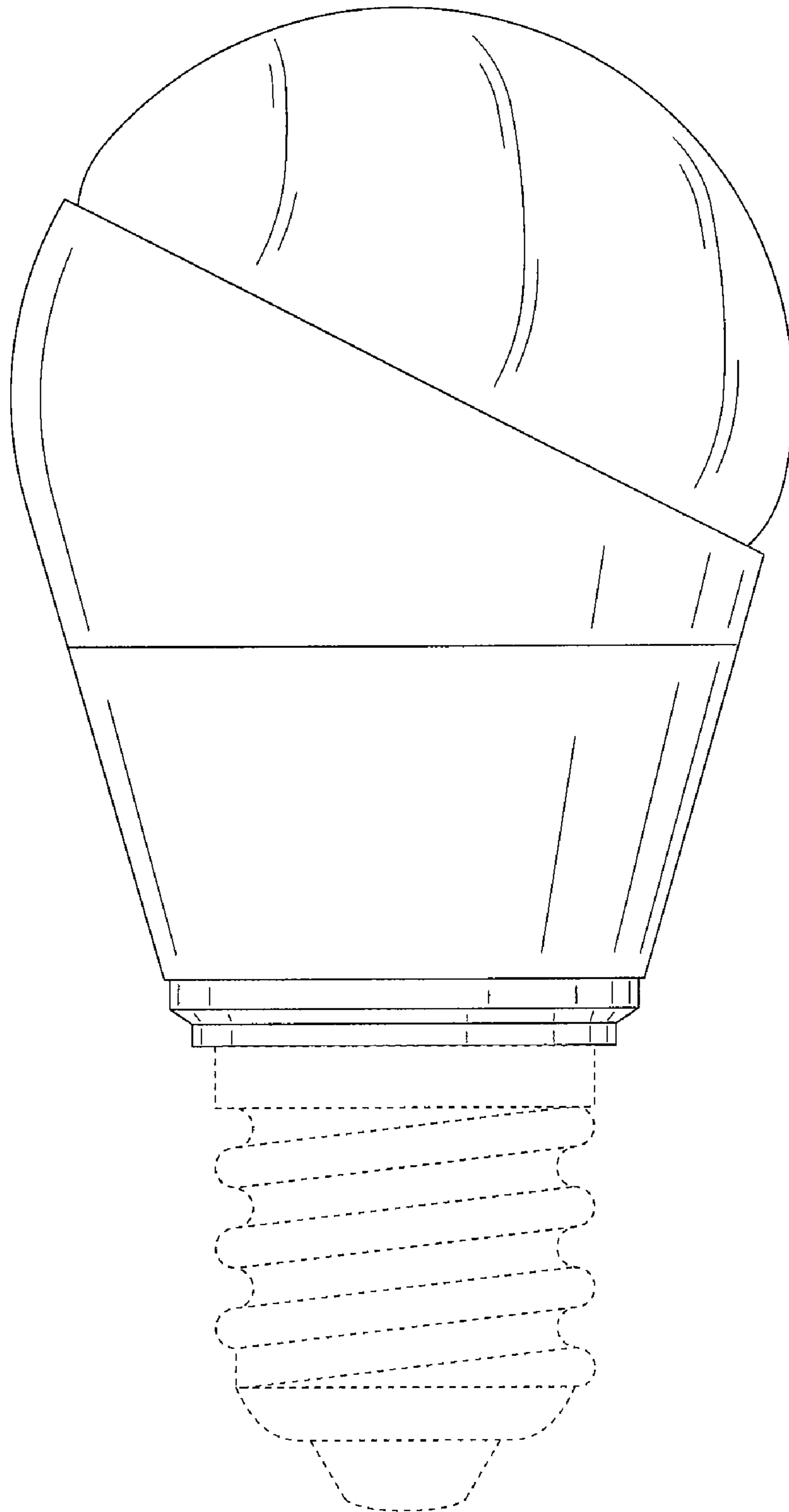
**FIG.2**



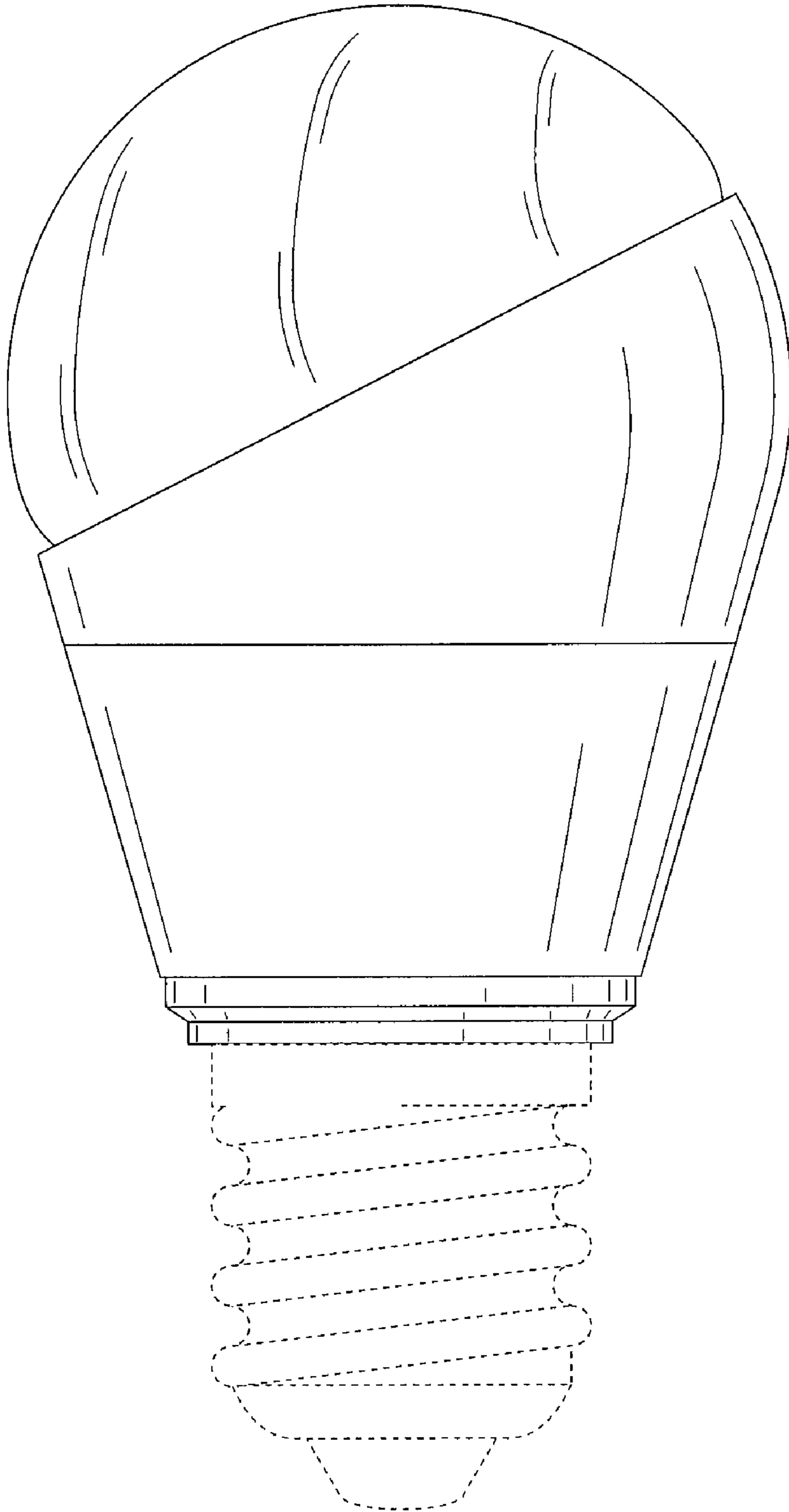
**FIG.3**



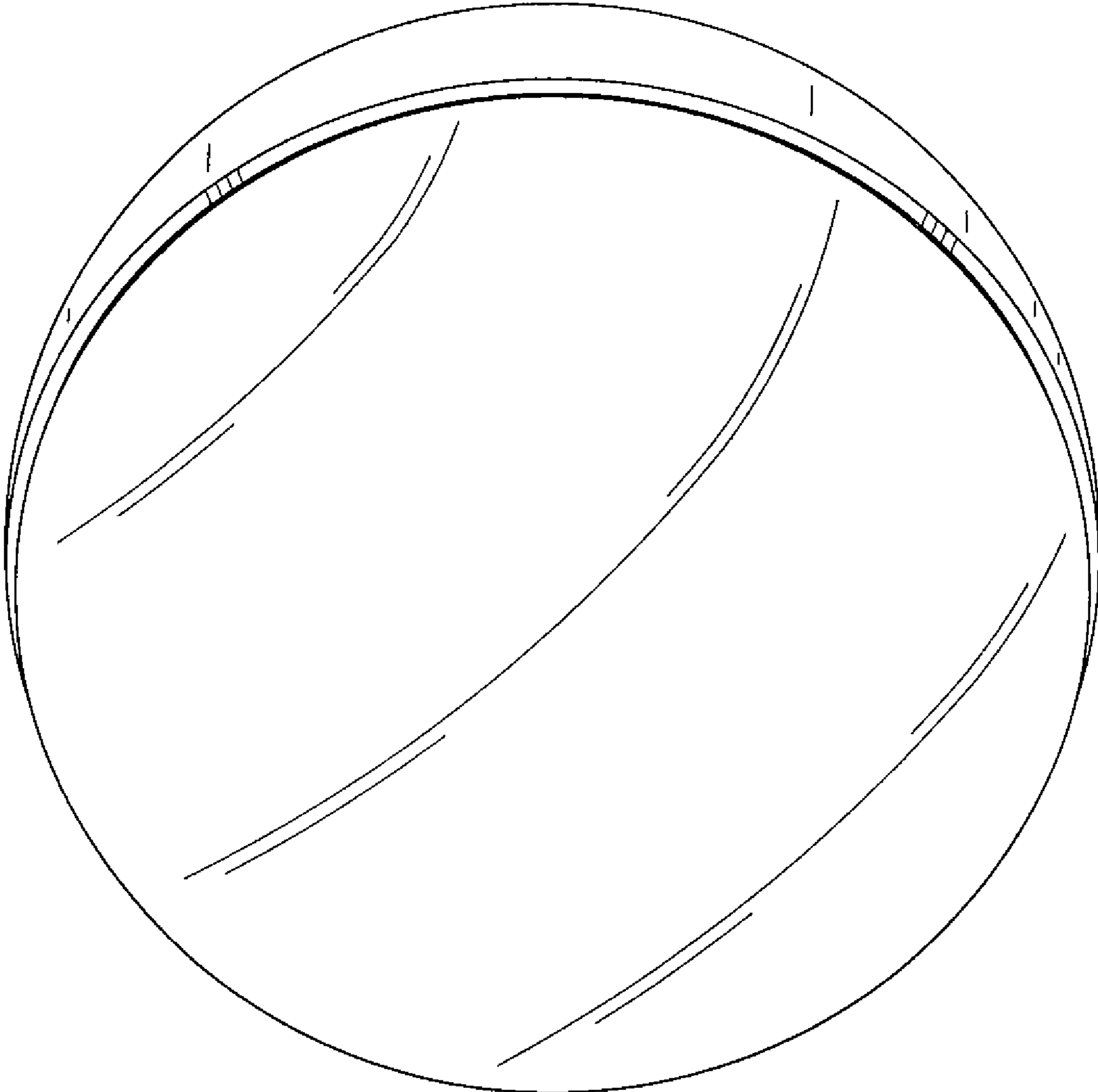
**FIG.4**



**FIG.5**



**FIG.6**





**FIG.7**

